



US00D899150S

(12) **United States Design Patent**
Cheng

(10) **Patent No.:** **US D899,150 S**
(45) **Date of Patent:** **** Oct. 20, 2020**

(54) **AIR MATTRESS**
(71) Applicant: **Chih-Hui Cheng**, Taipei (TW)
(72) Inventor: **Chih-Hui Cheng**, Taipei (TW)
(**) Term: **15 Years**
(21) Appl. No.: **29/661,330**
(22) Filed: **Aug. 27, 2018**
(51) **LOC (12) Cl.** **06-09**
(52) **U.S. Cl.**
USPC **D6/605**
(58) **Field of Classification Search**
USPC D6/333, 349, 355, 375, 388, 512, 563,
D6/564, 595, 596, 601, 604, 611, 707,
D6/715, 716, 716.1; D24/183-185, 234;
D21/802, 809; 5/413 AM, 681, 710,
5/655.3, 945
CPC A47G 9/10; A47G 9/1009; A47G 9/1027;
A47G 9/1045; A47G 9/1063; A47G
9/1072; A47G 9/1081
See application file for complete search history.

2,939,158 A * 6/1960 Baker A47C 27/081
5/710
D190,794 S * 7/1961 Anson D6/601
3,045,257 A * 7/1962 Knapp A47C 27/081
5/111
3,049,728 A * 8/1962 Lund A47D 9/005
5/99.1
3,340,548 A * 9/1967 Janapol A47C 23/067
5/243
3,505,695 A * 4/1970 Bishaf A47C 27/081
137/228
3,583,008 A * 6/1971 Edwards A47C 4/54
5/655.3
4,435,864 A * 3/1984 Callaway A47C 23/047
5/400
D276,487 S * 11/1984 Kao D6/596
(Continued)

FOREIGN PATENT DOCUMENTS

CN 303974856 * 12/2016
CN 304464869 * 1/2018
(Continued)

Primary Examiner — Sanjeev Paul
(74) *Attorney, Agent, or Firm* — Schmeiser, Olsen &
Watts, LLP

(56) **References Cited**

U.S. PATENT DOCUMENTS

754,329 A * 3/1904 Milliken A47C 27/001
5/722
1,586,625 A * 6/1926 Hooker A47C 27/002
5/690
1,976,793 A * 10/1934 Mangold A47C 27/081
5/655.3
2,028,060 A * 1/1936 Gilbert A01G 13/10
47/32.5
2,717,399 A * 9/1955 Backhouse B63C 11/49
441/135
2,731,652 A * 1/1956 Bishop A47C 27/081
5/710
2,835,313 A * 5/1958 Dodge A47C 27/144
5/740

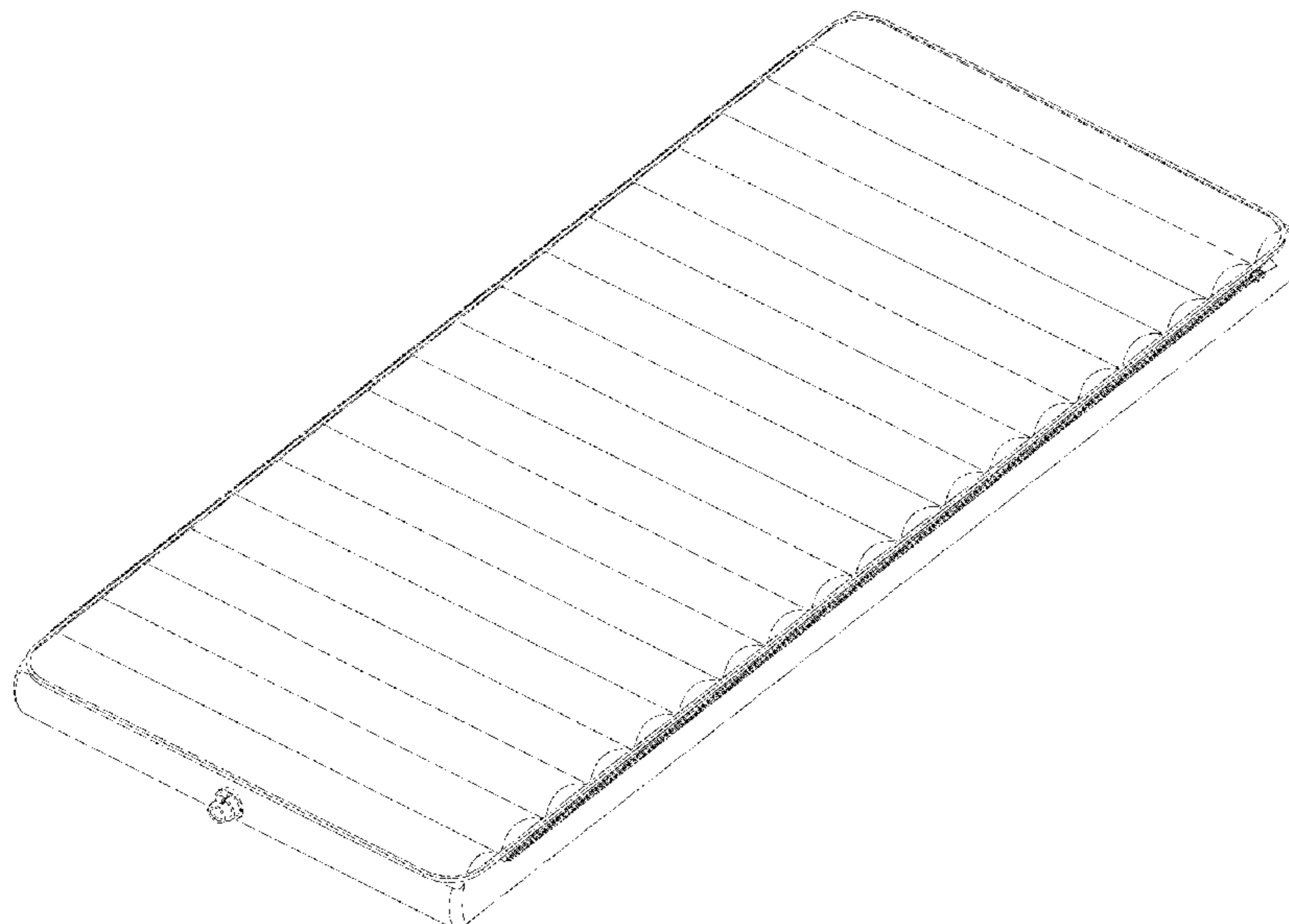
(57) **CLAIM**

The ornamental design for an air mattress, as shown and described.

DESCRIPTION

FIG. 1 is a perspective view of an air mattress showing my new design;
FIG. 2 is a front elevation view thereof;
FIG. 3 is a rear elevation view thereof;
FIG. 4 is a right side elevation view thereof;
FIG. 5 is a left side elevation view thereof;
FIG. 6 is a top plan view thereof; and,
FIG. 7 is a bottom plan view thereof.

1 Claim, 5 Drawing Sheets



(56)

References Cited

U.S. PATENT DOCUMENTS

4,644,597 A * 2/1987 Walker A47C 27/087
5/706
4,766,628 A * 8/1988 Walker A47C 27/082
137/232
4,788,729 A * 12/1988 Walker A47C 27/081
137/557
D300,194 S * 3/1989 Walker D6/604
4,897,890 A * 2/1990 Walker A47C 27/082
137/596
D310,313 S * 9/1990 Afeyan D21/809
D315,187 S * 3/1991 Thomas D21/809
5,007,124 A * 4/1991 Raburn A47C 27/146
5/724
5,388,295 A * 2/1995 Sarkozi A47C 7/021
5/420
D407,671 S * 4/1999 Muhanna D12/128
5,918,336 A * 7/1999 Lee A61G 7/05776
5/706
D414,644 S * 10/1999 Hsu D21/803
D419,817 S * 2/2000 Morimoto D6/596
6,138,306 A * 10/2000 Muhanna A61G 1/00
128/870
6,163,909 A * 12/2000 Lin A47C 27/082
5/710
D509,696 S * 9/2005 Torres D6/604
D509,697 S * 9/2005 Torres D6/604
D509,698 S * 9/2005 Torres D6/604
D528,623 S * 9/2006 Peterson D21/803
D528,624 S * 9/2006 Peterson D21/803
D529,118 S * 9/2006 Peterson D21/803
D529,978 S * 10/2006 Peterson D21/809
D530,771 S * 10/2006 Peterson D21/809
D531,249 S * 10/2006 Peterson D21/803
D560,947 S * 2/2008 Kreucher D6/601
D584,911 S * 1/2009 Hisey D21/803
8,413,277 B2 * 4/2013 Davis A61G 7/1011
137/512.1
D747,117 S * 1/2016 Lau D6/393

D749,875 S * 2/2016 Sullivan D6/604
D823,966 S * 7/2018 Berenson D21/809
10,029,745 B2 * 7/2018 Wall, II B62D 35/001
D844,347 S * 4/2019 Bosstick D6/604
D849,445 S * 5/2019 Li D6/596
D849,450 S * 5/2019 Liu D6/604
D851,962 S * 6/2019 King D6/604
D857,829 S * 8/2019 Peterson B63B 35/58
D21/809
D863,829 S * 10/2019 Huang D6/604
D867,785 S * 11/2019 Winborne D6/596
D883,715 S * 5/2020 Zhu D6/604
2003/0200610 A1 * 10/2003 Wang A47C 27/081
5/710
2004/0187216 A1 * 9/2004 Lin A47C 21/048
5/706
2006/0117488 A1 * 6/2006 Hung A47C 27/082
5/713
2007/0209119 A1 * 9/2007 Chun-Chu A47C 27/082
5/713
2011/0239373 A1 * 10/2011 Miller, Jr. A47C 27/14
5/710
2012/0227186 A1 * 9/2012 Pile A61G 7/05776
5/710
2013/0167301 A1 * 7/2013 Shih A47C 27/081
5/713
2015/0026895 A1 * 1/2015 Geelen A47C 27/088
5/699
2015/0225097 A1 * 8/2015 Anastasia A63G 21/18
53/432
2016/0332733 A1 * 11/2016 Marappan B64D 11/0647
2019/0231085 A1 * 8/2019 Huang A47C 27/087
2020/0229607 A1 * 7/2020 Ribicic A47C 27/144
2020/0239114 A1 * 7/2020 de Grasse A47C 27/08

FOREIGN PATENT DOCUMENTS

JP D1570682 * 3/2017
JP D1599929 * 3/2018

* cited by examiner

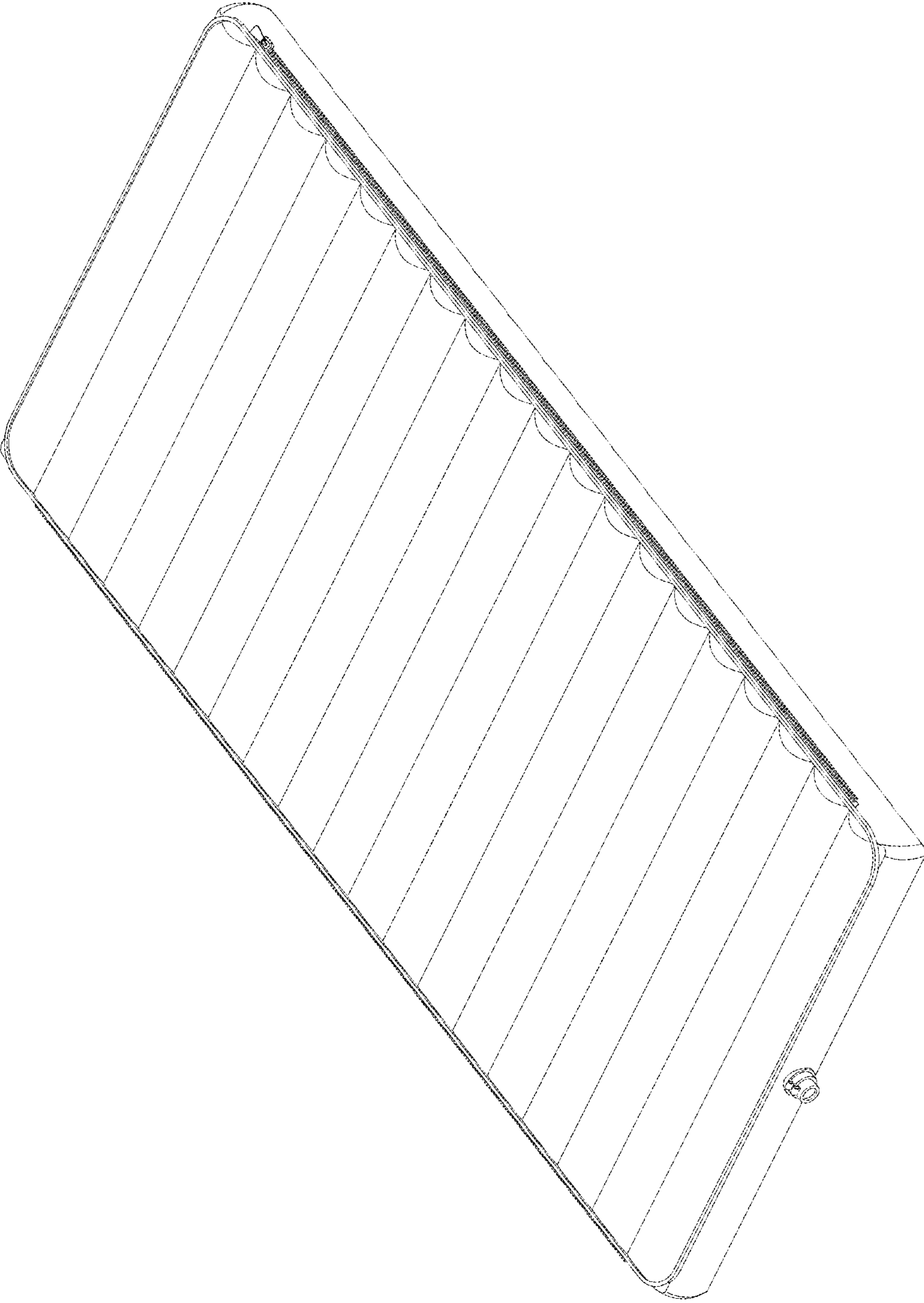


FIG. 1

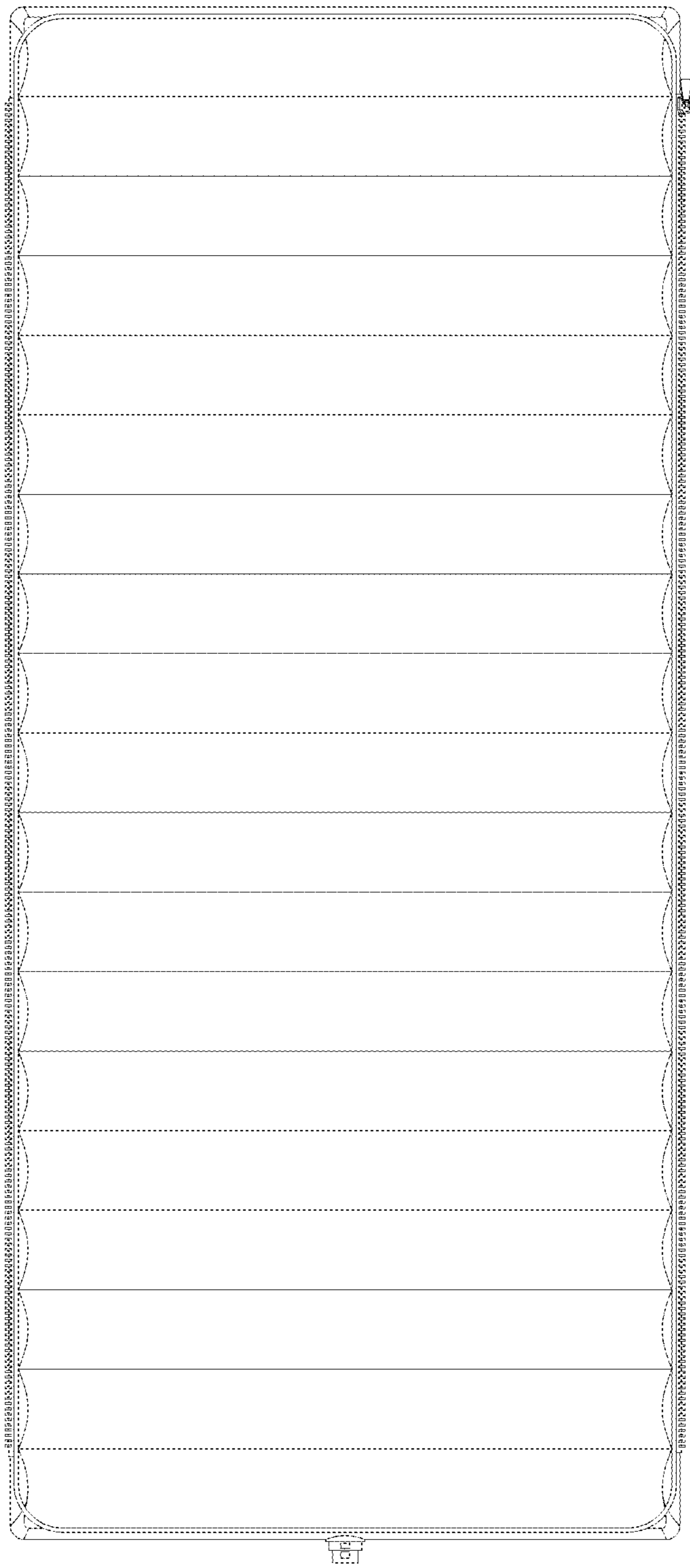


FIG. 2

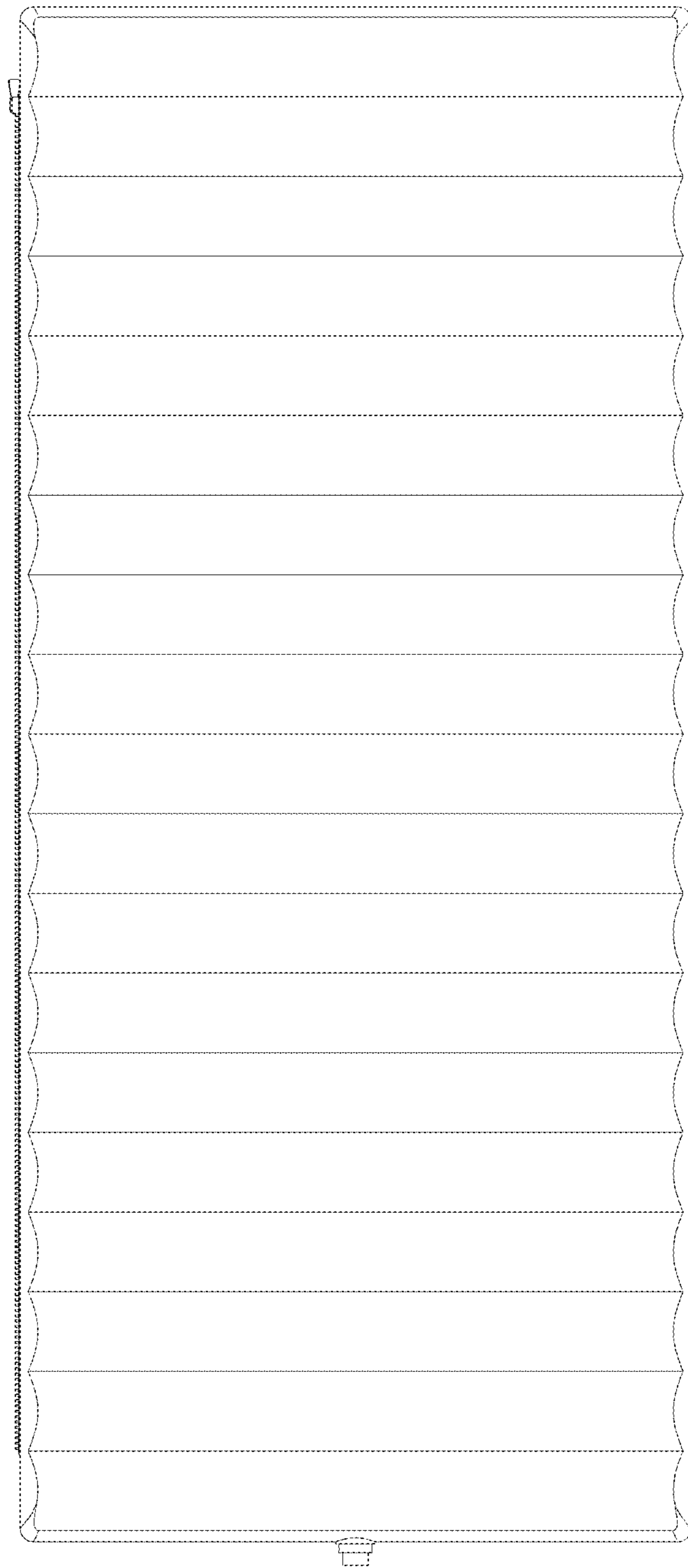


FIG. 3

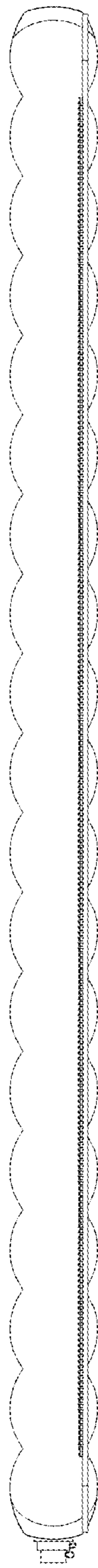


FIG. 4

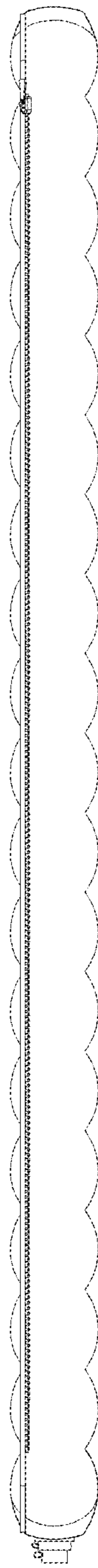


FIG. 5

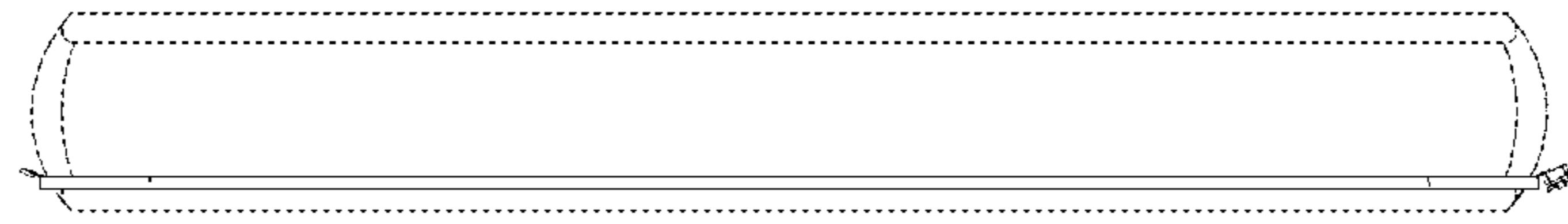


FIG. 6

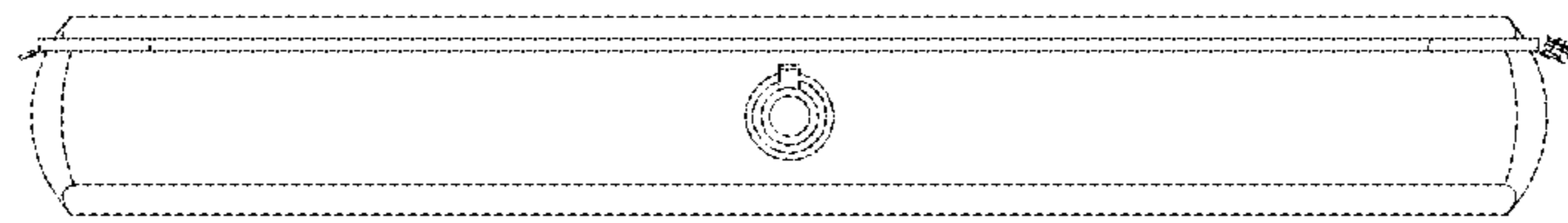


FIG. 7