

US00D899144S

(12) **United States Design Patent** (10) **Patent No.:** **US D899,144 S**
Feldman (45) **Date of Patent:** **** Oct. 20, 2020**

(54) **FITTED SHEET HAVING EXPANDABLE CORNER SEGMENTS**

5,029,353 A 7/1991 Kimball et al.
5,479,664 A 1/1996 Hollander
5,557,814 A * 9/1996 Cybulski A47G 9/02
5/485

(71) Applicant: **Nancy Feldman**, Woodbury, NY (US)

(Continued)

(72) Inventor: **Nancy Feldman**, Woodbury, NY (US)

Primary Examiner — Sanjeev Paul

(73) Assignee: **GHCL Limited**, Uttar Pradesh (IN)

(74) *Attorney, Agent, or Firm* — Buchanan Ingersoll & Rooney PC

(**) Term: **15 Years**

(57) **CLAIM**

(21) Appl. No.: **29/639,206**

The ornamental design for a fitted sheet having expandable corner segments, as shown and described.

(22) Filed: **Mar. 5, 2018**

(51) **LOC (12) Cl.** **06-13**

DESCRIPTION

(52) **U.S. Cl.**

USPC **D6/602**

(58) **Field of Classification Search**

USPC D6/333, 349, 355, 375, 388, 512, 563,
D6/564, 595, 596, 601, 602, 603, 604,
D6/605, 606, 607, 608, 707, 715, 716,
D6/716.1; 5/636, 490, 491, 495;
D24/183–184

CPC A47C 17/021; A47C 17/13; A47C 17/132;
A47C 17/136; A47C 17/1655; A47C
17/207; A47G 9/10; A47G 9/1027; A47G
9/1081; A47G 9/1036; A47G 9/1063;
A47G 2009/1018; A47G 9/0238; A47G
9/0246; A47G 9/0253

See application file for complete search history.

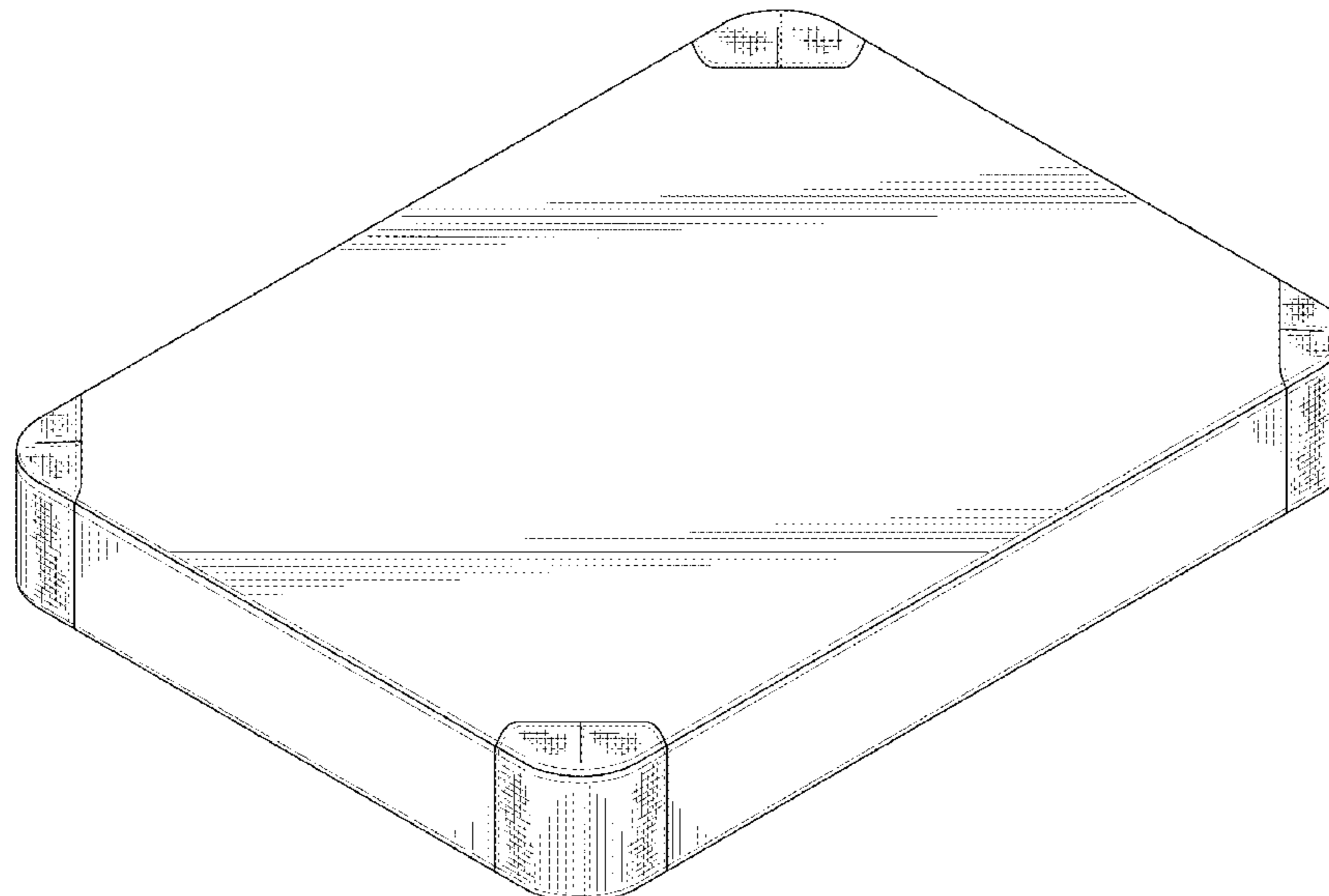
FIG. 1 is a perspective view of my fitted sheet having expandable corner segments as it would appear when placed on a queen size mattress which has a length of 80 inches and a width of 60 inches;
FIG. 2 is a top view thereof;
FIG. 3 is an end view thereof;
FIG. 4 is a bottom view thereof;
FIG. 5 is a side view thereof;
FIG. 6 is an enlarged view of a corner of the fitted sheet having expandable corner segments that is shown in FIG. 1;
FIG. 7 is a perspective view of my fitted sheet having expandable corner segments in an alternative configuration as it would appear when placed on a double size mattress which has a length of 75 inches and a width of 54 inches;
FIG. 8 is a top view thereof;
FIG. 9 is an end view thereof;
FIG. 10 is a bottom view thereof;
FIG. 11 is a side view thereof; and,
FIG. 12 is an enlarged view of a corner of the fitted sheet having expandable corner segments that is shown in FIG. 7.
The broken lines shown in the drawings are included for the purpose of illustrating stitching and form no part of the claimed design.

(56) **References Cited**

U.S. PATENT DOCUMENTS

2,624,893 A 1/1953 Harris
2,728,451 A * 12/1955 Leander B65D 81/055
206/453
D270,693 S * 9/1983 Larson 5/688
4,864,669 A * 9/1989 Jones A47G 9/0253
5/636
4,979,251 A * 12/1990 Lazar A47C 21/022
5/496

1 Claim, 8 Drawing Sheets



(56)

References Cited

U.S. PATENT DOCUMENTS

6,983,500	B2	1/2006	Wootten	
D651,443	S *	1/2012	Wightman	D6/605
D673,411	S *	1/2013	Roberts	D6/605
D677,964	S *	3/2013	Agarwall	D6/602
D691,399	S *	10/2013	Jalan	D6/602
8,776,287	B1 *	7/2014	Jarrett	A47G 9/0246
				5/482
D714,077	S *	9/2014	Mun	D6/602
D753,935	S *	4/2016	Driffield	D6/606
D773,859	S *	12/2016	Feldman	D6/602
D840,725	S *	2/2019	Feldman	D6/602
D846,914	S *	4/2019	Brathwaite	D6/602
10,251,498	B1 *	4/2019	Feldman	A47G 9/0246
2010/0162486	A1 *	7/2010	Joyce	A47G 9/0238
				5/485
2012/0054962	A1 *	3/2012	Agarwall	A47G 9/0246
				5/497
2013/0125308	A1 *	5/2013	Fittin, III	A47G 9/0238
				5/485
2014/0189952	A1 *	7/2014	Crispino	A47G 9/02
				5/482
2017/0055734	A1 *	3/2017	Duck	A47G 9/0246
2019/0069696	A1 *	3/2019	Young	A47G 9/0246

* cited by examiner

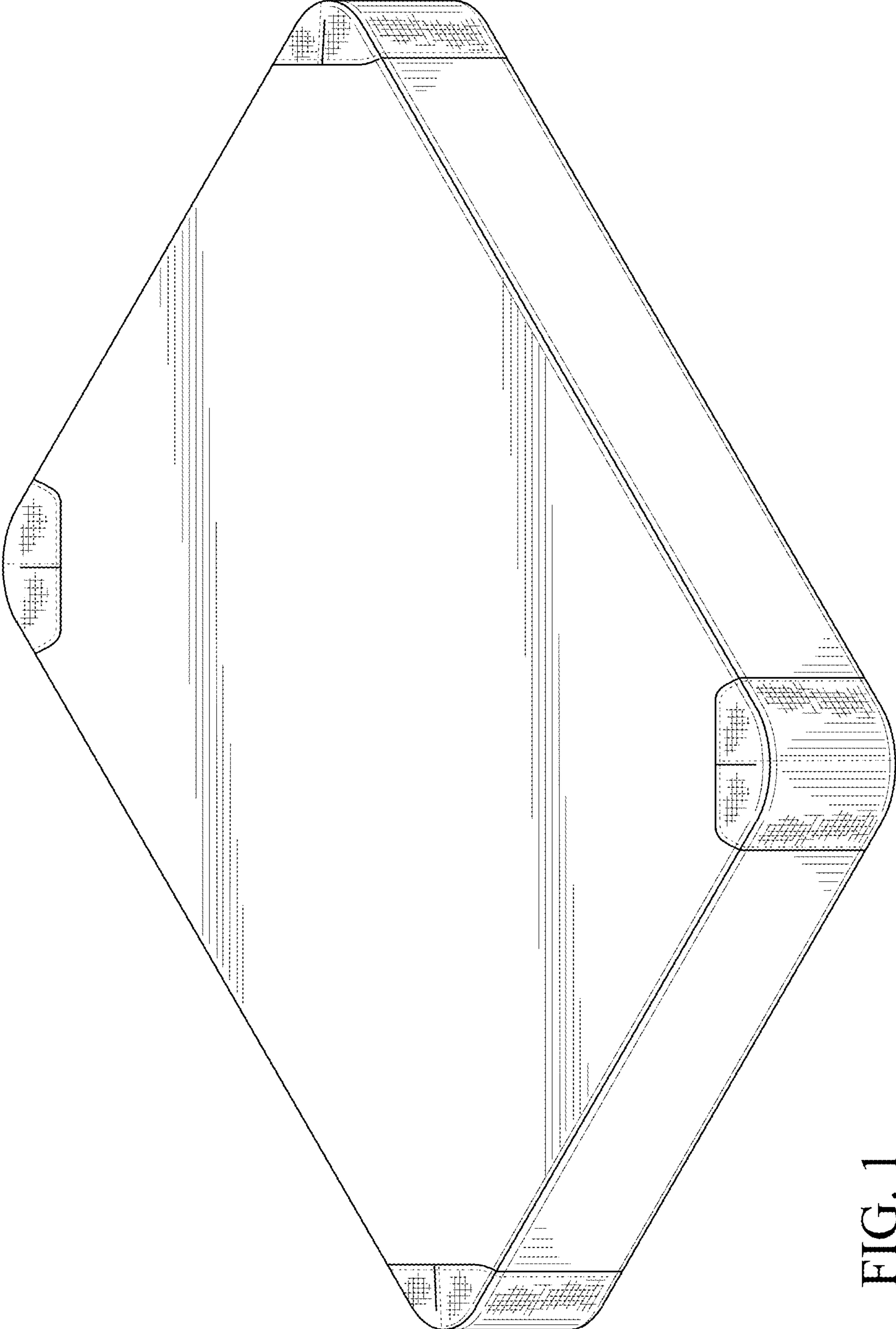


FIG. 1

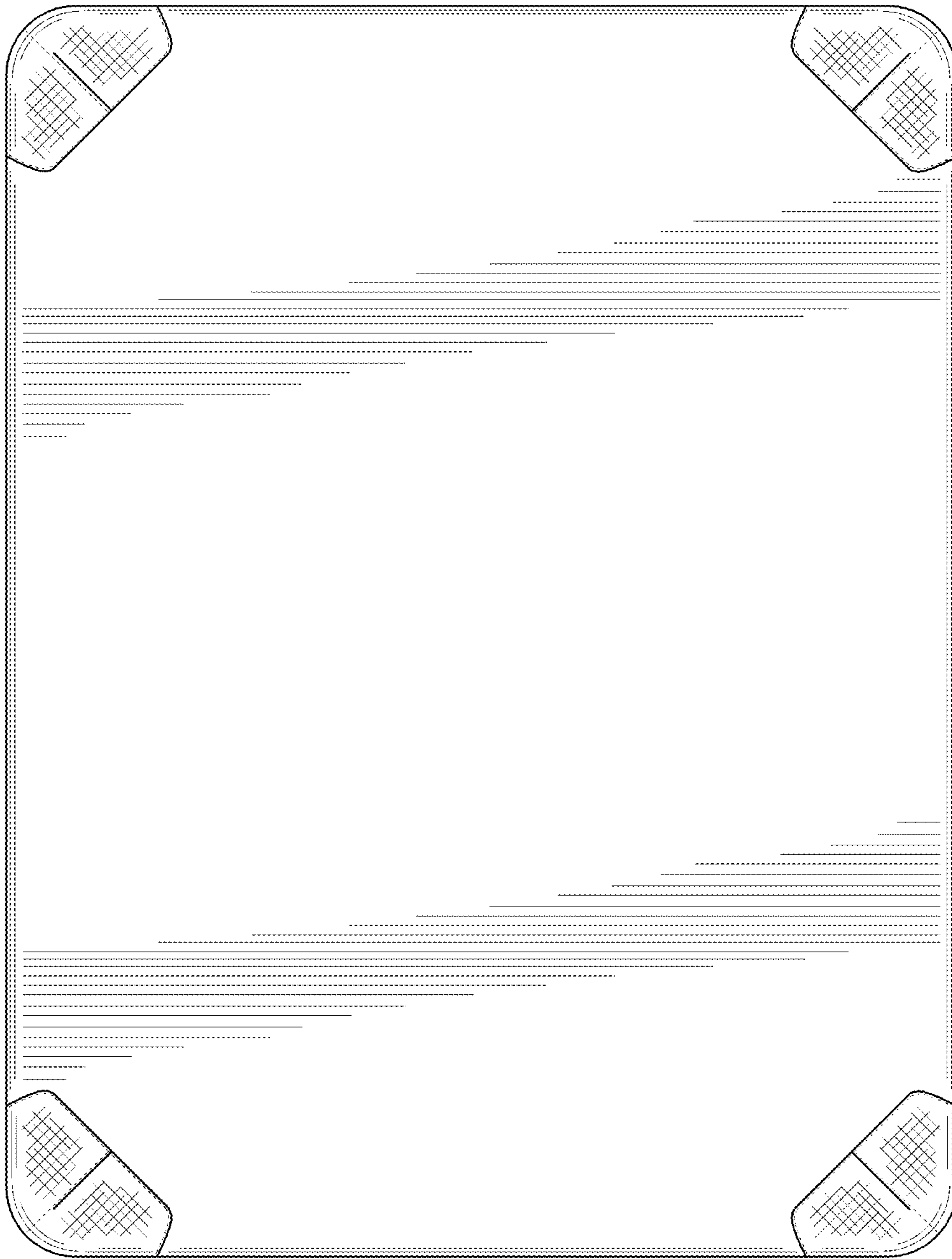


FIG. 2

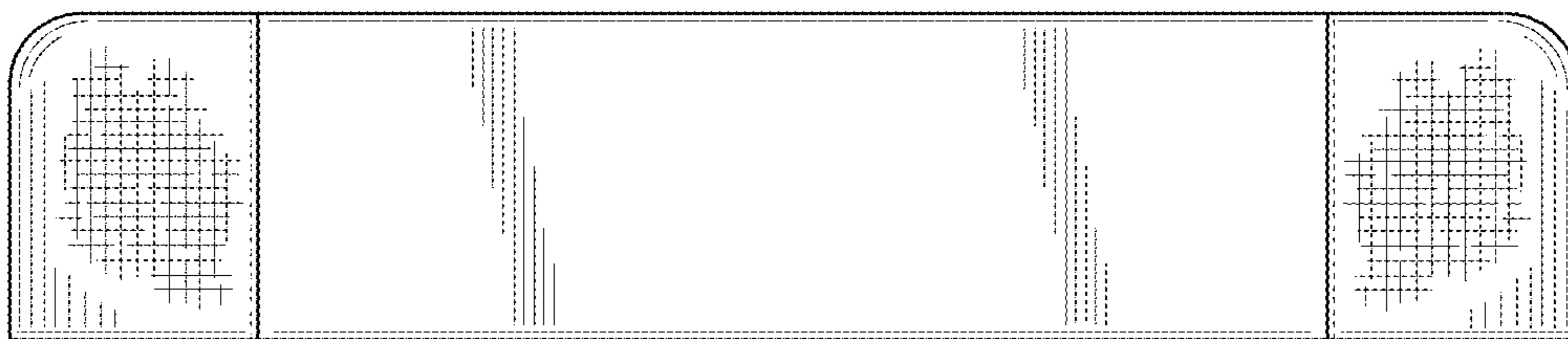


FIG. 3

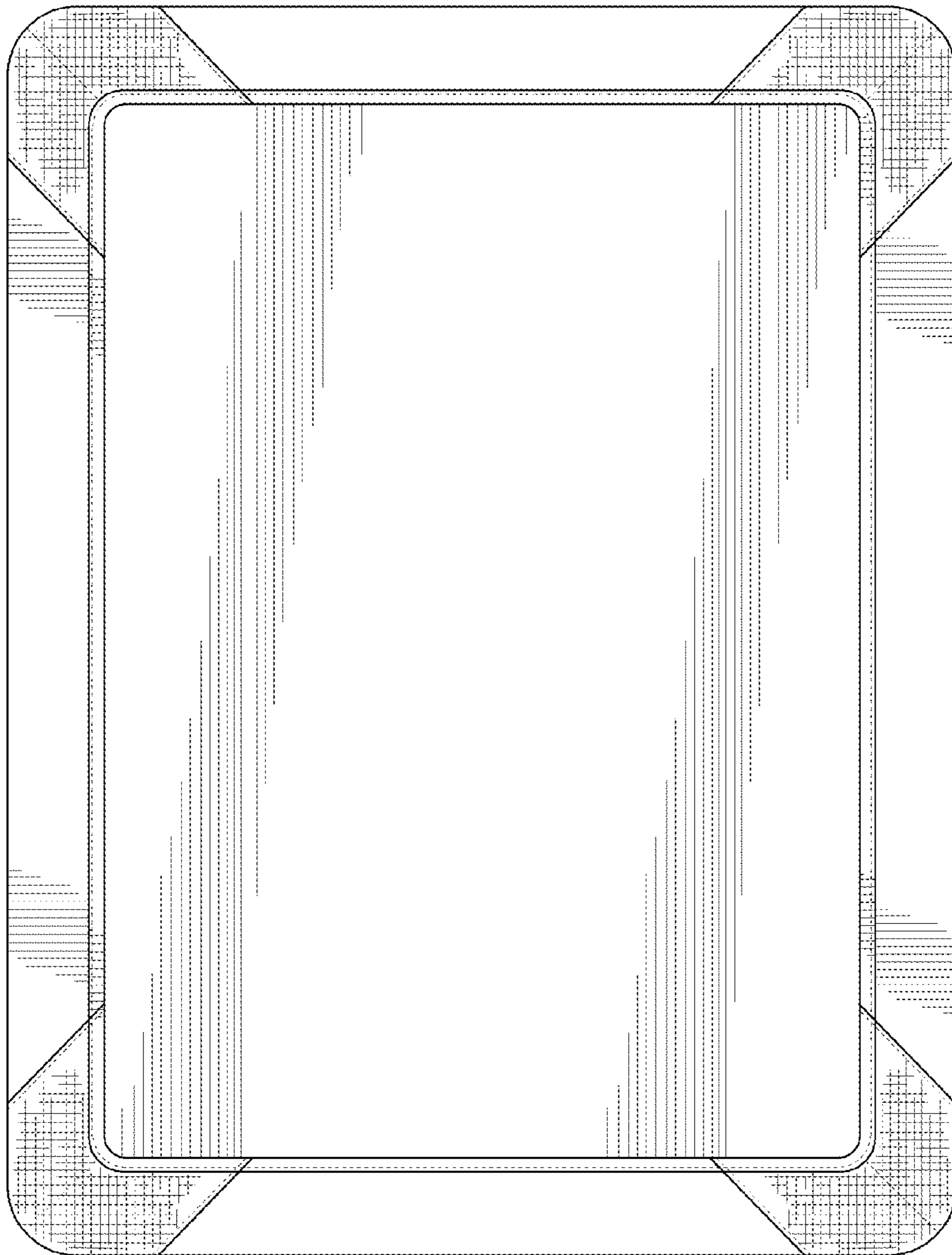


FIG. 4

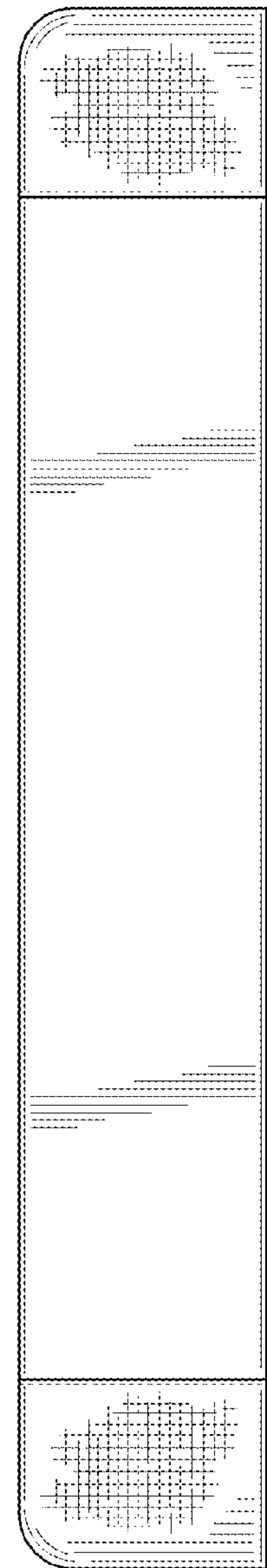


FIG. 5

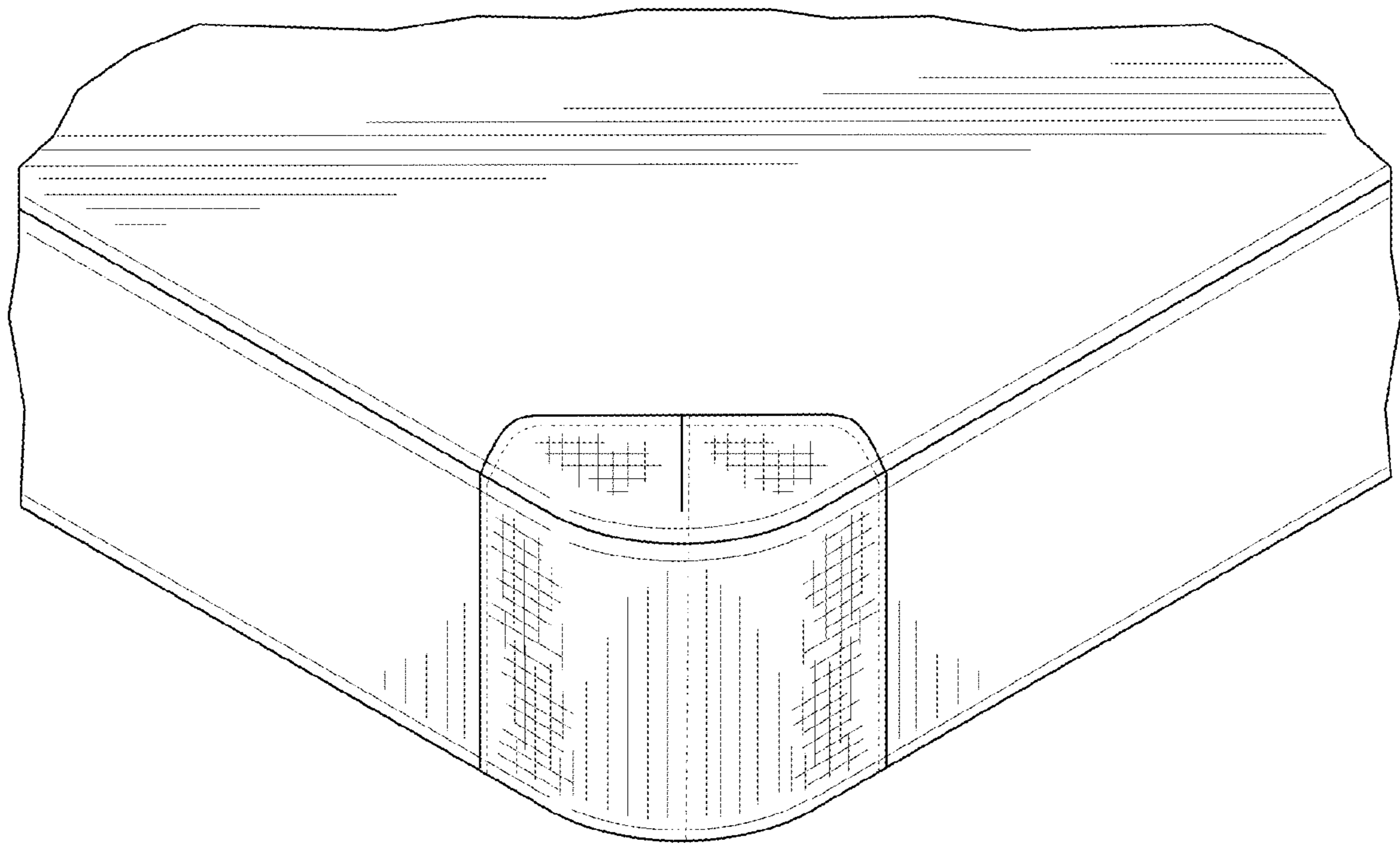


FIG. 6

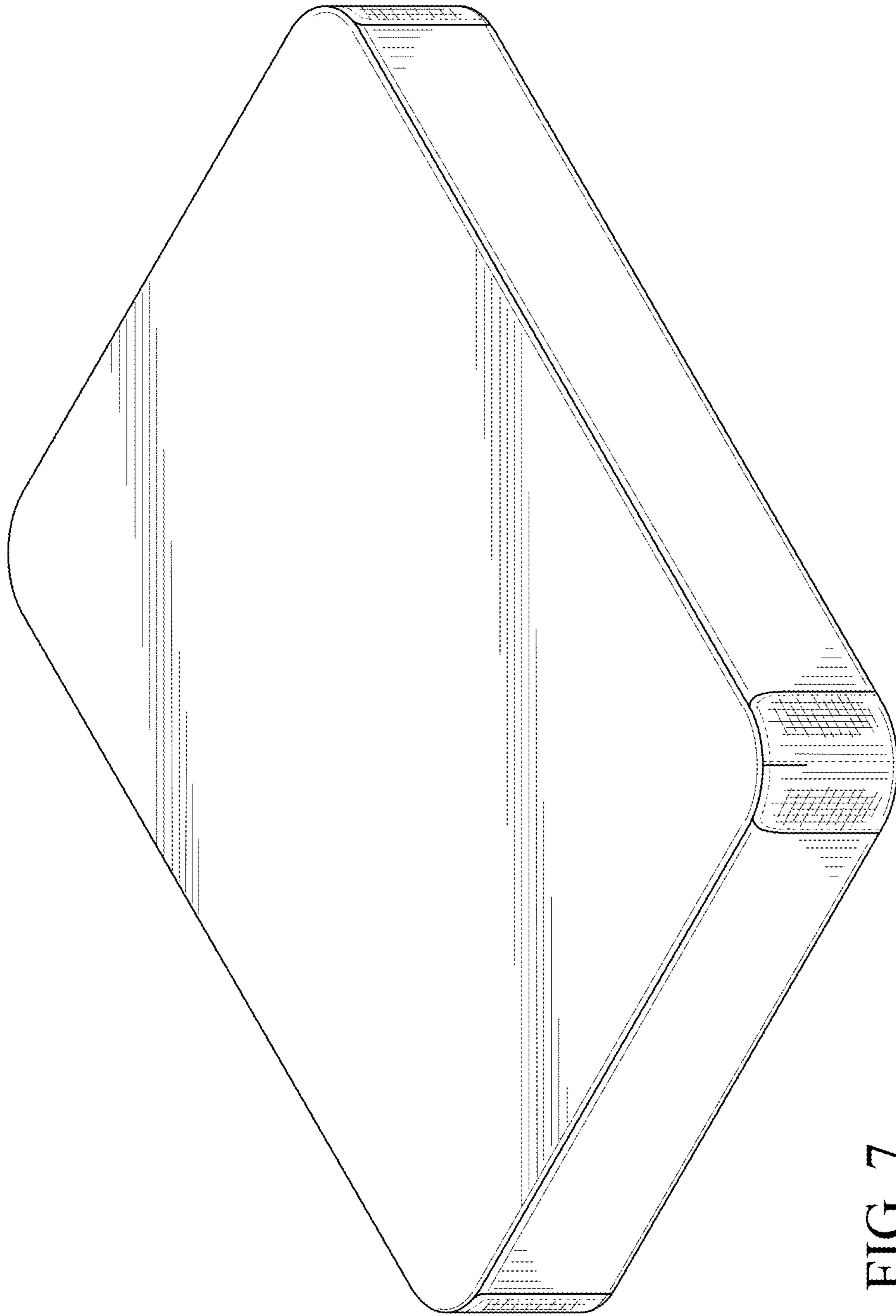


FIG. 7

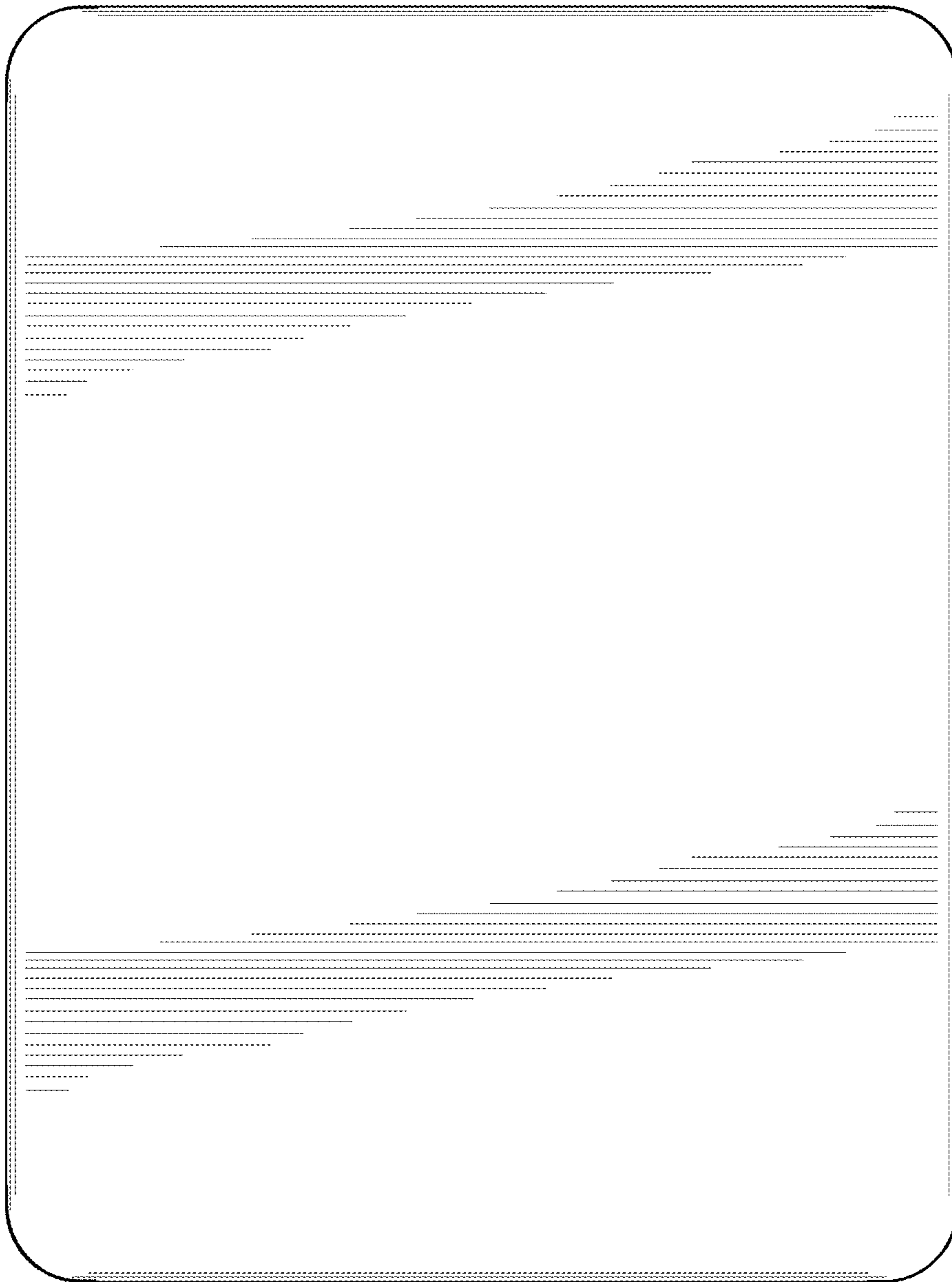


FIG. 8

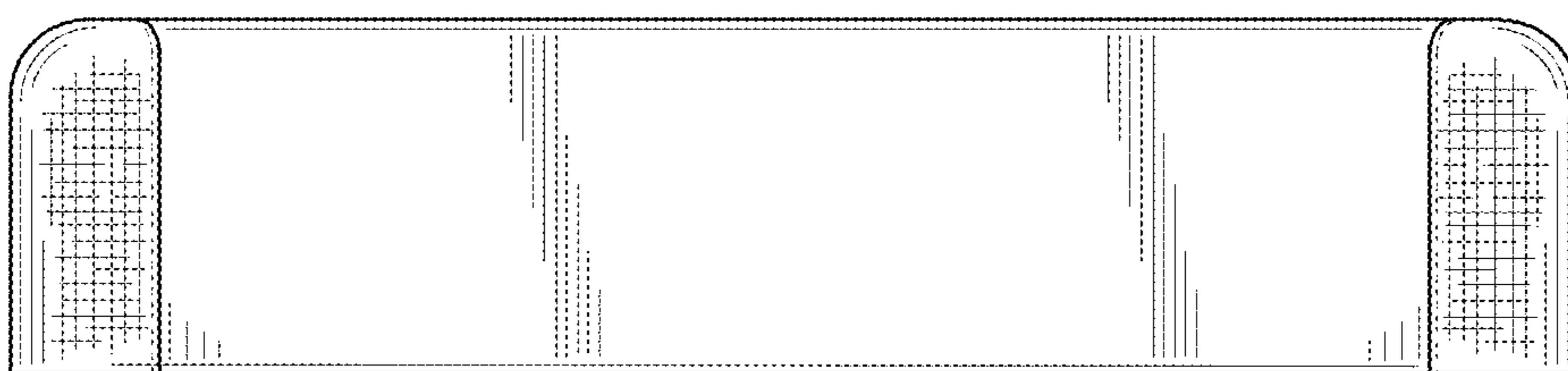


FIG. 9

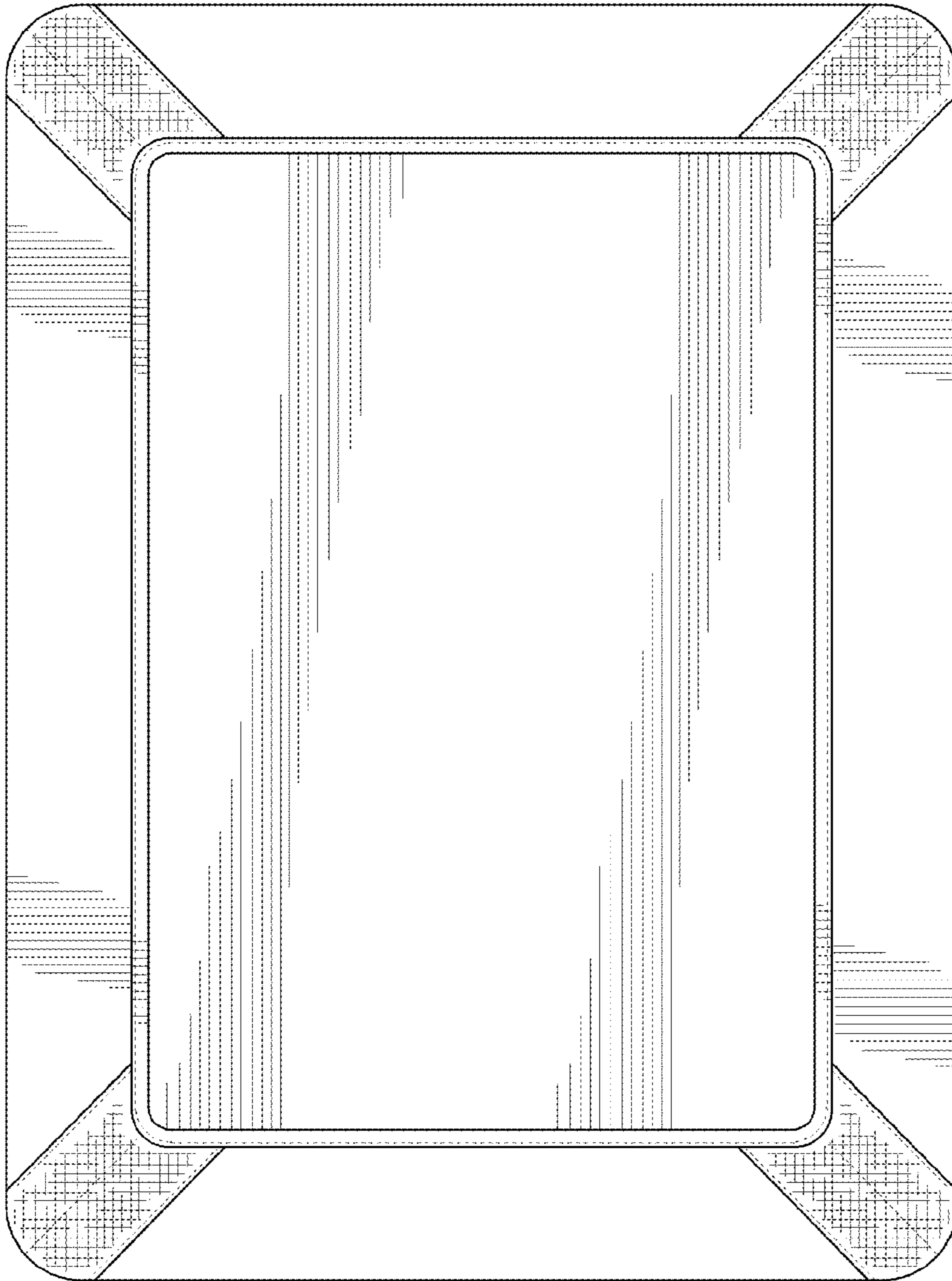


FIG. 10

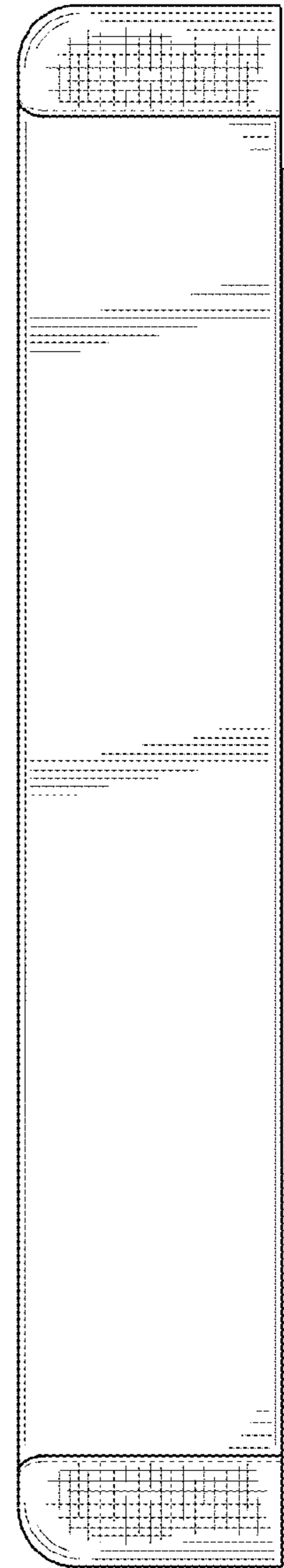


FIG. 11

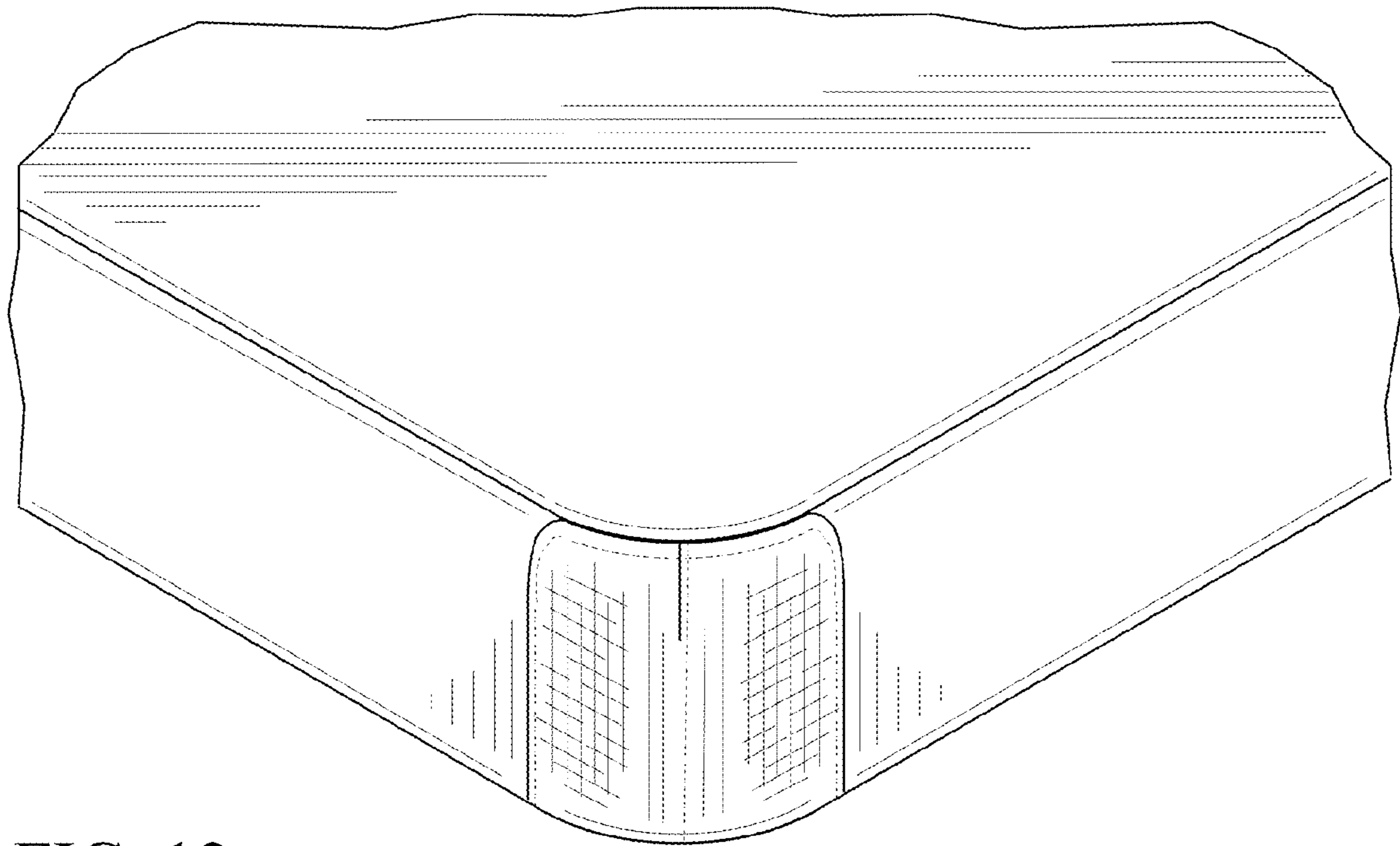


FIG. 12