



US00D899141S

(12) **United States Design Patent** (10) **Patent No.:** **US D899,141 S**
Du (45) **Date of Patent:** **** Oct. 20, 2020**

(54) **FACE PILLOW**

(71) Applicant: **SHANGHAI SINTANG INDUSTRIAL CO., LTD.**, Shanghai (CN)

(72) Inventor: **Chuankui Du**, Shanghai (CN)

(73) Assignee: **Shanghai Sintang Industrial Co., Ltd.**, Shanghai (CN)

(**) Term: **15 Years**

(21) Appl. No.: **29/684,451**

(22) Filed: **Mar. 21, 2019**

(51) **LOC (12) Cl.** **06-09**

(52) **U.S. Cl.**
USPC **D6/601**

(58) **Field of Classification Search**
USPC D6/595-601, 604, 606; D24/183, 190;
D21/803, 809
CPC A47C 20/00; A47C 20/021; A47C 7/742;
A47C 7/021; A47D 15/001; A47D 15/008; A47G 9/00; A47G 9/10; B62J 1/26
See application file for complete search history.

(56) **References Cited**

U.S. PATENT DOCUMENTS

4,058,112 A * 11/1977 Johnson A61B 6/0421
5/651
D298,992 S * 12/1988 Voss 5/638

D583,179 S * 12/2008 Haile D6/601
D845,033 S * 4/2019 Berg D6/601
D845,675 S * 4/2019 Yang D6/601
D848,180 S * 5/2019 Huang D6/601
D851,259 S * 6/2019 Mitchell D24/183
D851,424 S * 6/2019 Santjer D6/601
D859,886 S * 9/2019 Baeseman D6/601
D862,115 S * 10/2019 Kelber D6/601
D878,108 S * 3/2020 Wang D6/601
D887,175 S * 6/2020 Loos D6/601
2006/0150338 A1* 7/2006 Jackson, III A61G 13/12
5/655.3

* cited by examiner

Primary Examiner — Jennifer L Rempfer

(74) *Attorney, Agent, or Firm* — Rosenberg, Klein & Lee

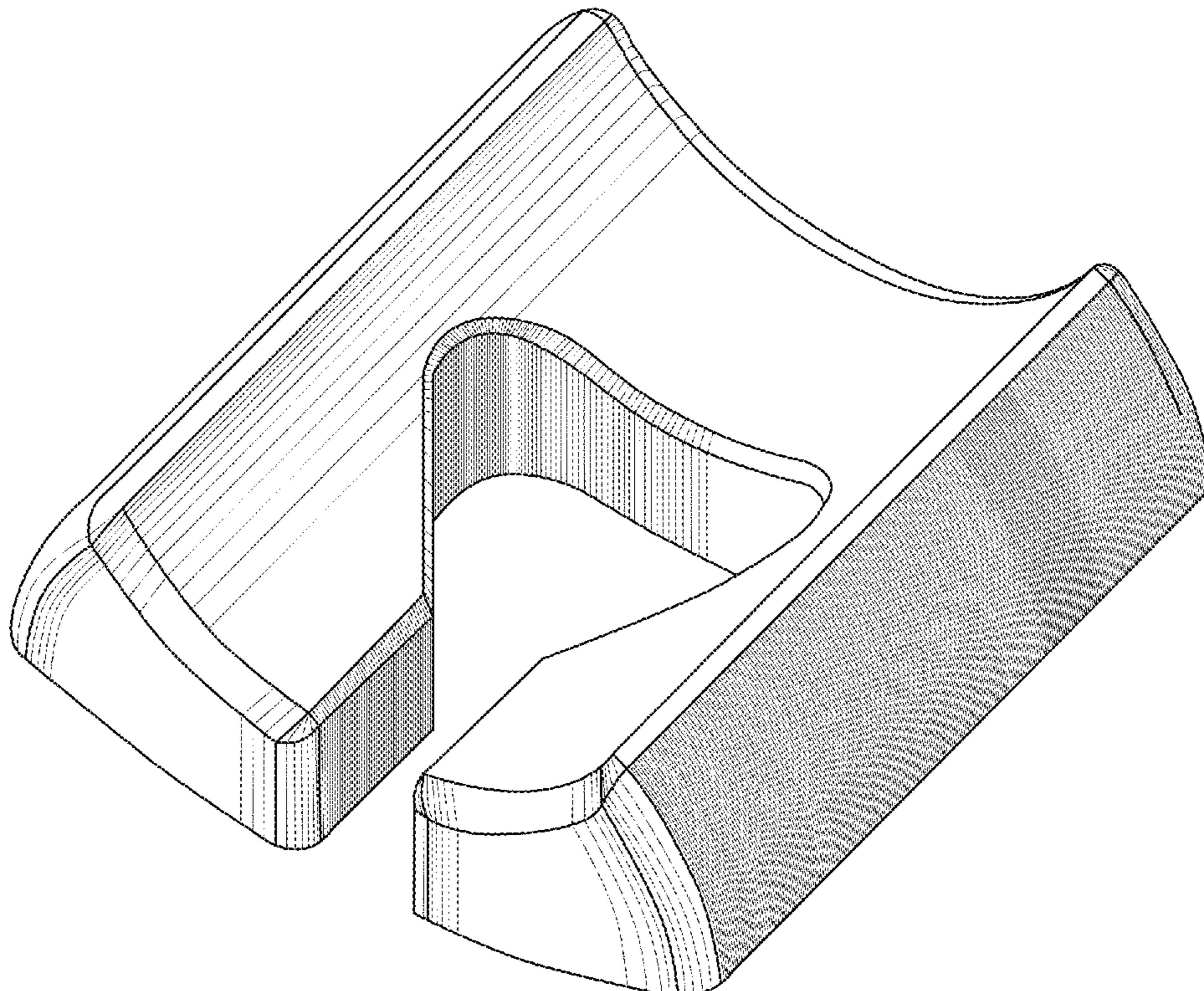
(57) **CLAIM**

The ornamental design for a face pillow, as shown and described.

DESCRIPTION

FIG. 1 is a perspective view of the face pillow showing my new design;
FIG. 2 is a front elevational view thereof;
FIG. 3 is a rear front elevational view thereof;
FIG. 4 is a left side elevational view thereof;
FIG. 5 is a right side elevational view thereof;
FIG. 6 is a top plan view thereof; and,
FIG. 7 is a bottom plan view thereof.

1 Claim, 7 Drawing Sheets



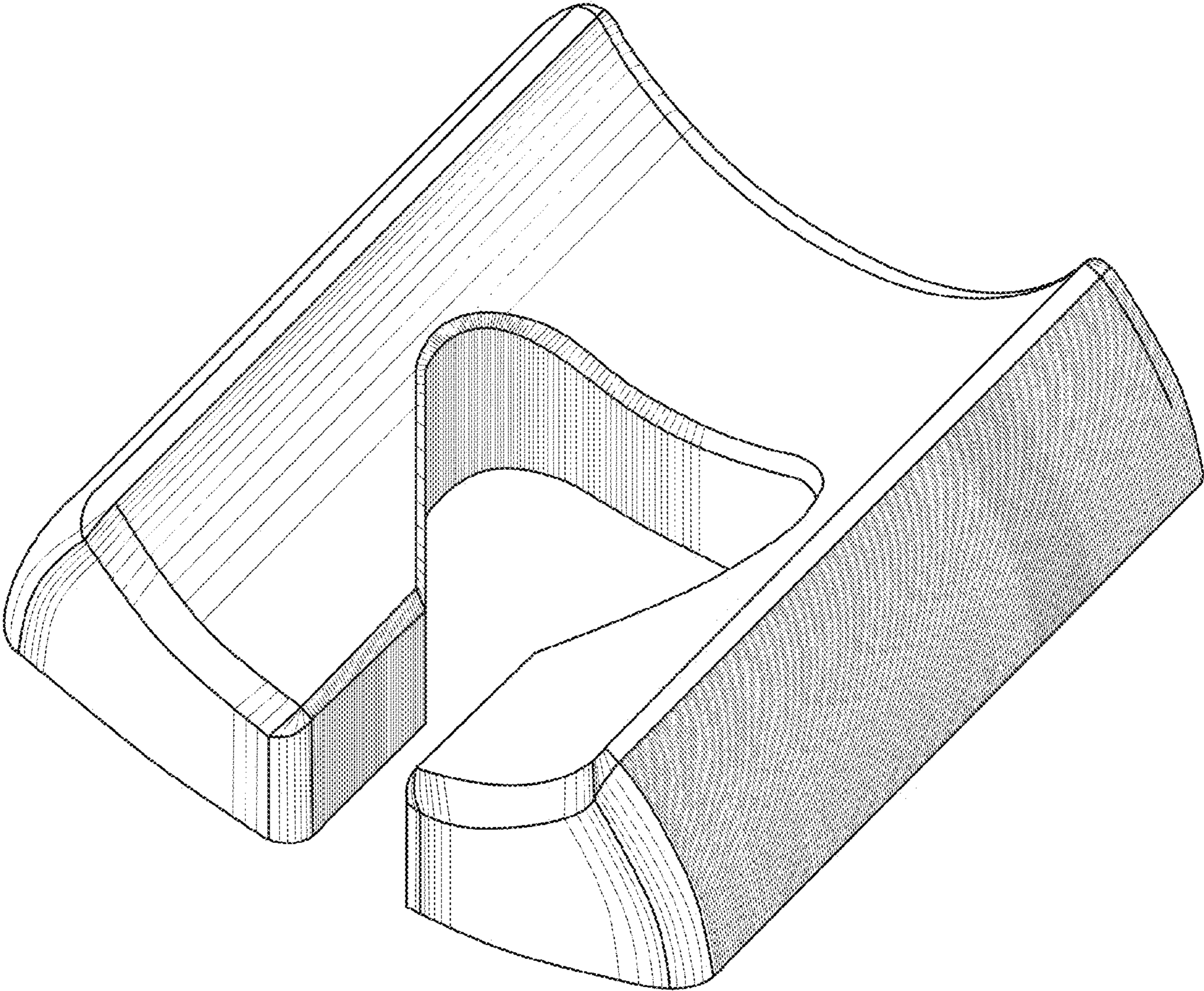


FIG.1

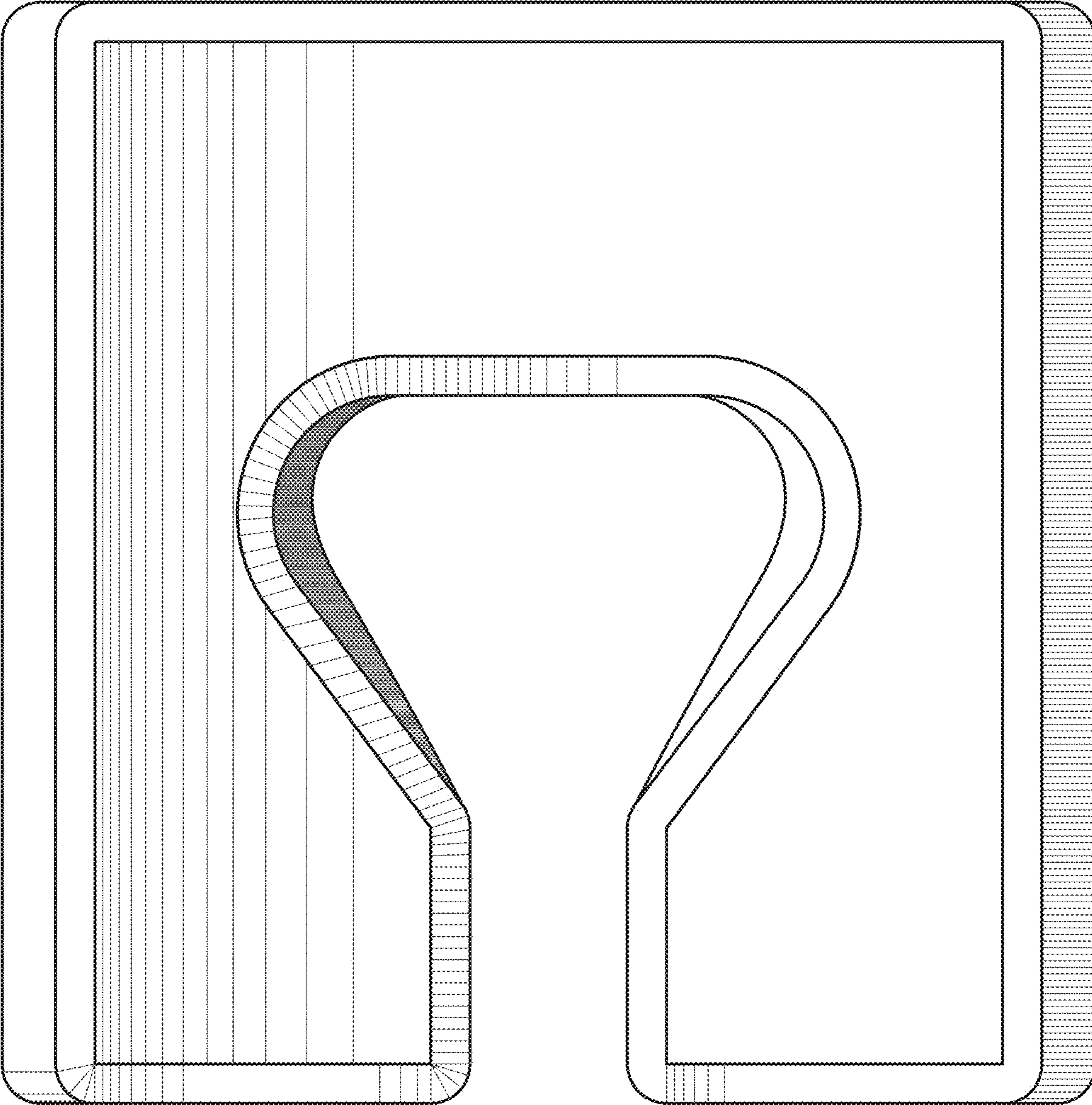


FIG.2

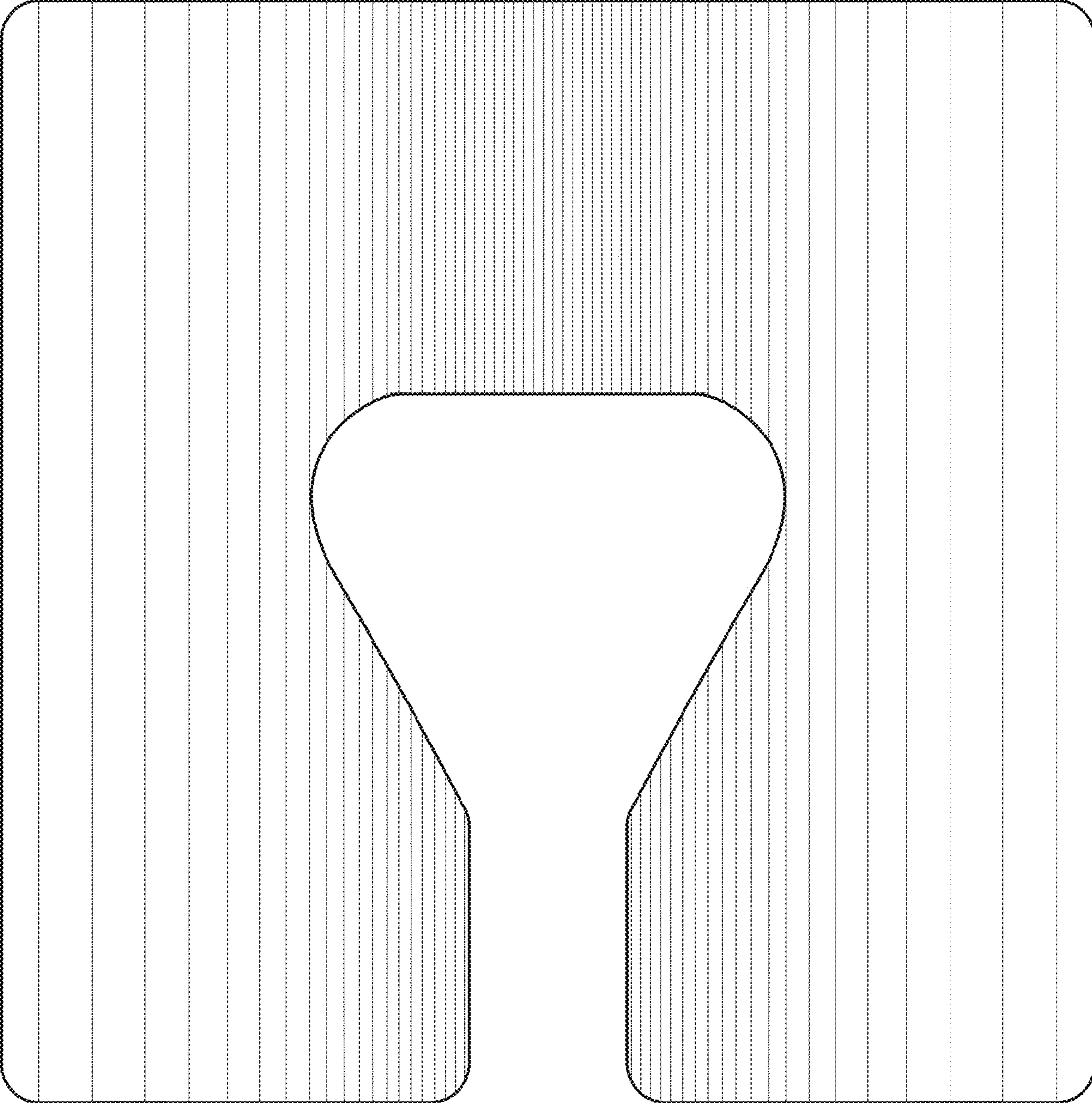


FIG.3

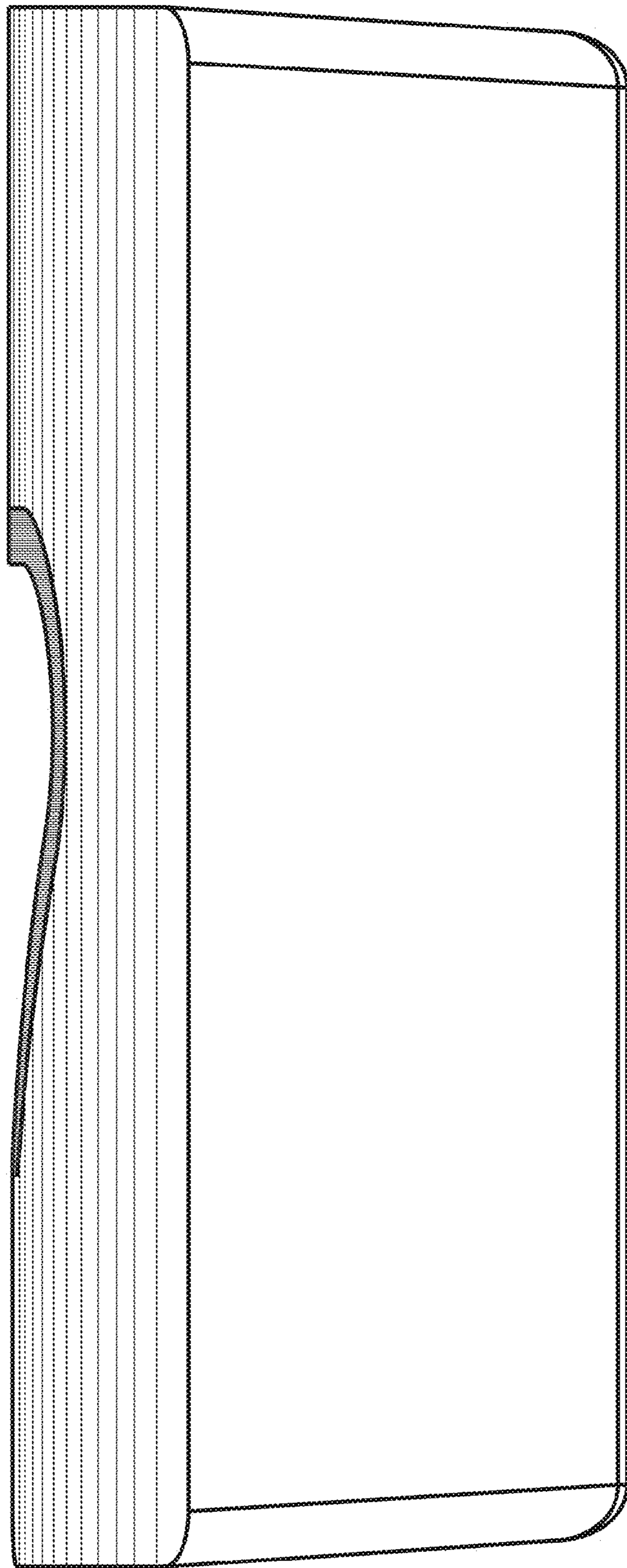


FIG.4

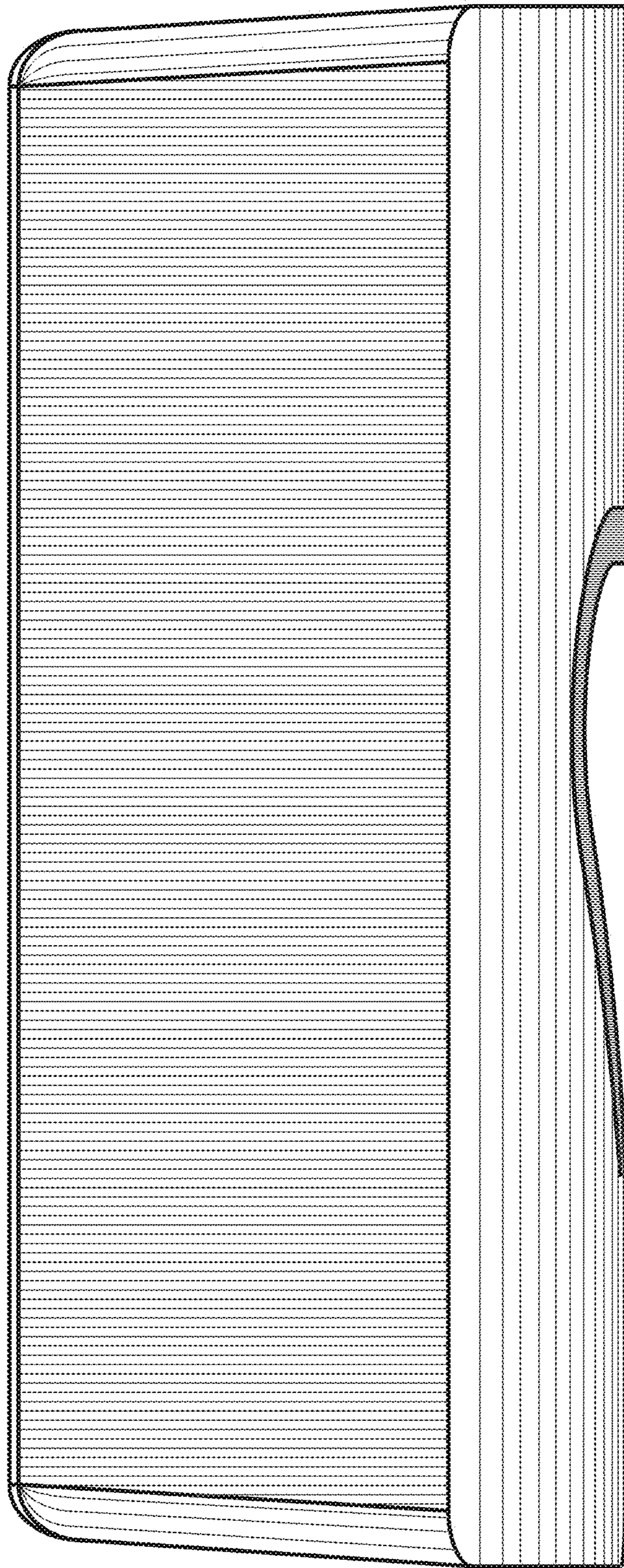


FIG.5

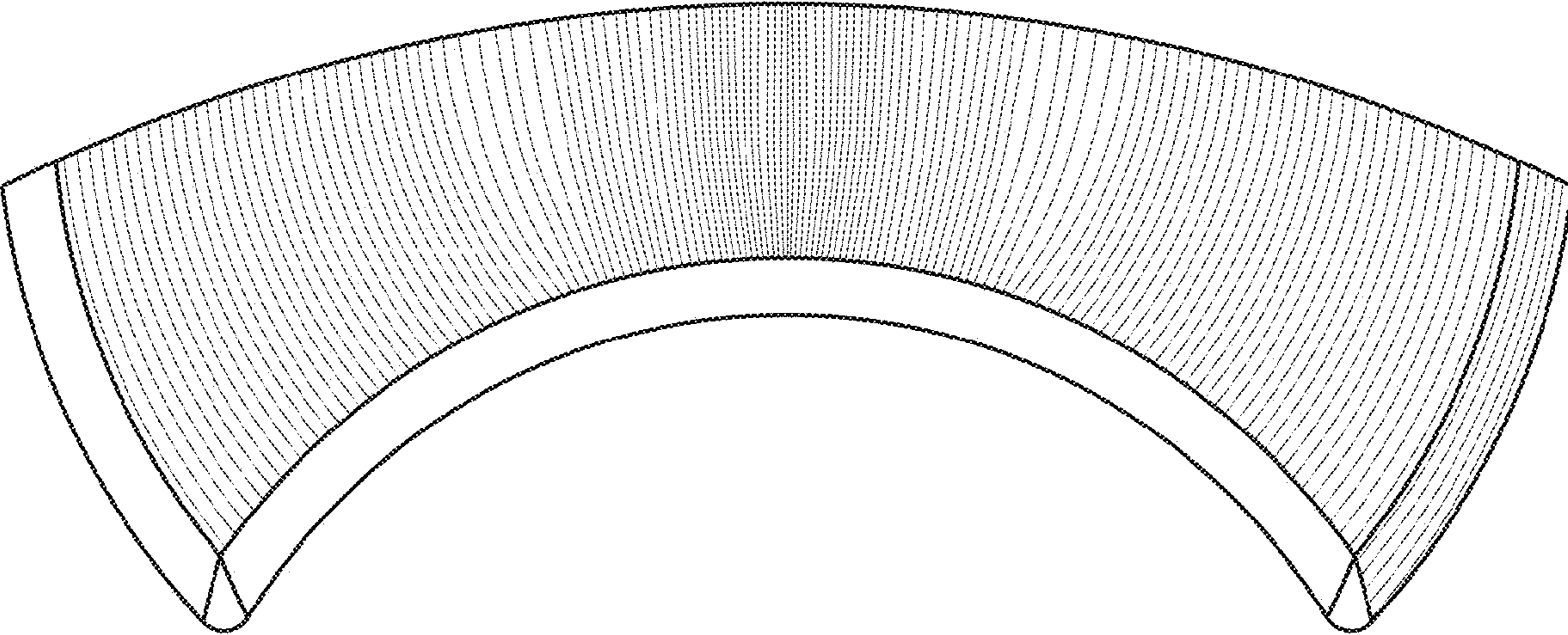


FIG.6

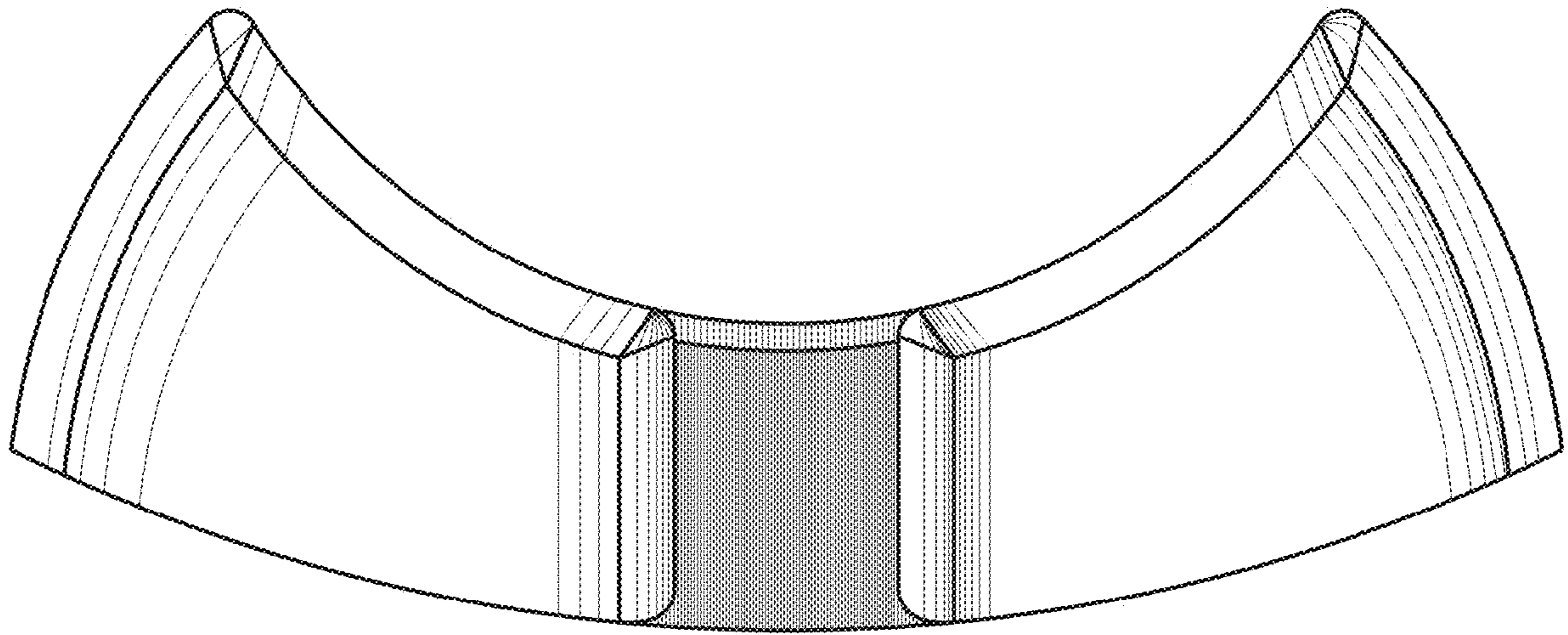


FIG.7