



US00D899140S

(12) **United States Design Patent** (10) **Patent No.:** **US D899,140 S**
Ponder et al. (45) **Date of Patent:** **** Oct. 20, 2020**

(54) **DUAL LAYER SLEEPING PILLOW**
(71) Applicants: **Donny Ponder**, Hernando, MS (US);
Tatiana Ponder, Hernando, MS (US)
(72) Inventors: **Donny Ponder**, Hernando, MS (US);
Tatiana Ponder, Hernando, MS (US)
(**) Term: **15 Years**

(21) Appl. No.: **29/677,418**

(22) Filed: **Jan. 20, 2019**

(51) **LOC (12) Cl.** **06-09**

(52) **U.S. Cl.**
USPC **D6/601**

(58) **Field of Classification Search**
USPC D6/582-583, 587-592, 595-609,
D6/617-622; D21/803-809; D24/183
CPC A47G 9/00; A47G 2009/001; A47G
2009/002; A47G 2009/003; A47G 9/10;
A47G 9/1009; A47G 2009/1018; A47G
9/1045; A47G 9/1081; A47G 9/109
See application file for complete search history.

(56) **References Cited**

U.S. PATENT DOCUMENTS

5,016,303 A * 5/1991 Tanaka A47G 9/109
5/636
D367,390 S * 2/1996 Johnston D6/596
D407,259 S * 3/1999 Jackson D6/601
D555,408 S * 11/2007 Keilhauer D6/601

D572,958 S * 7/2008 Keilhauer D6/601
D688,897 S * 9/2013 Yang D6/601
D706,553 S * 6/2014 Webster D6/390
D824,695 S * 8/2018 Campilii D6/601
D874,185 S * 2/2020 Massie D6/601
2001/0003219 A1* 6/2001 Chou A47G 9/0253
5/636
2009/0094750 A1* 4/2009 Oguma A61F 5/56
5/636
2011/0173754 A1* 7/2011 Calder A47G 9/1027
5/644

* cited by examiner

Primary Examiner — Jennifer L Rempfer

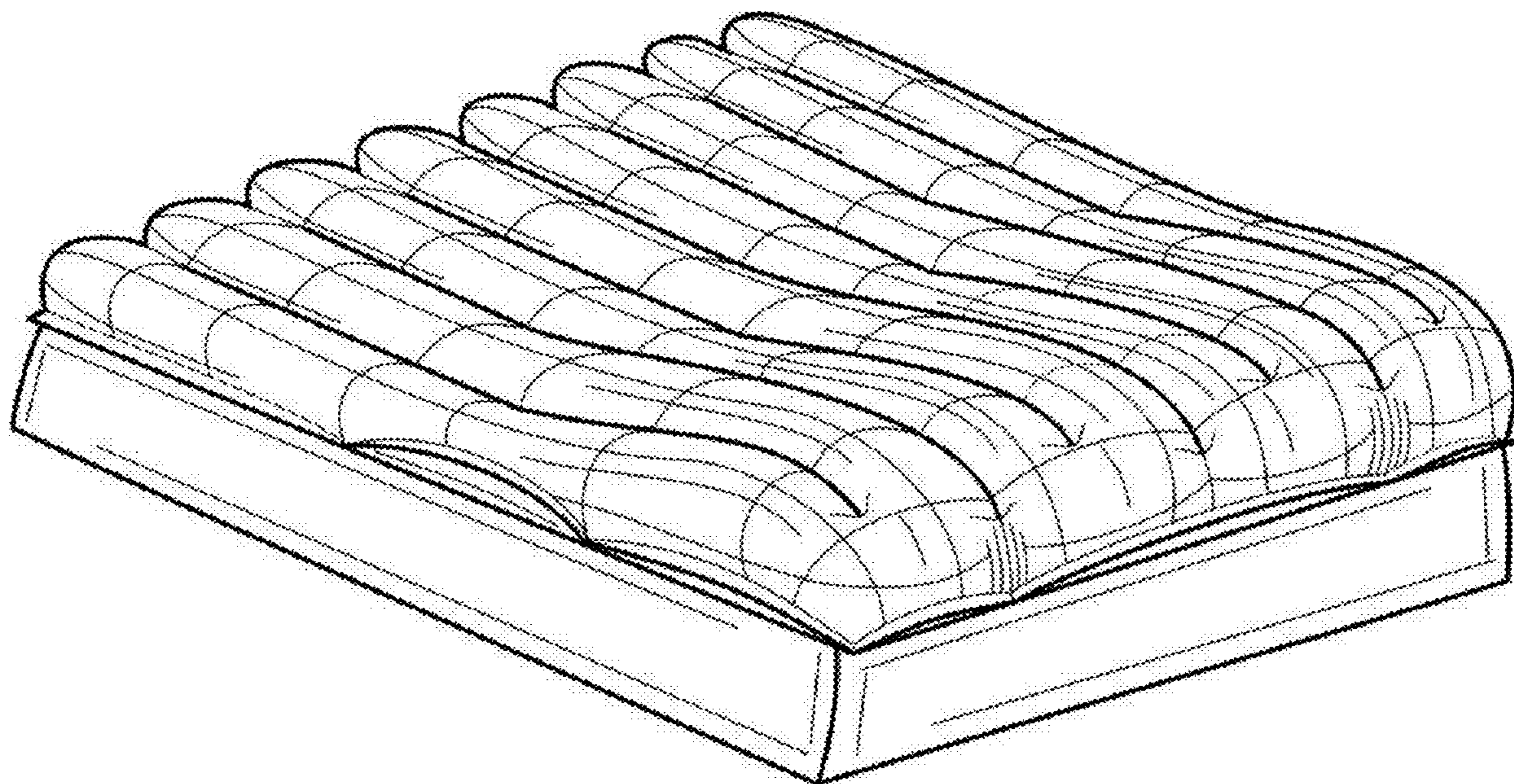
(57) **CLAIM**

The ornamental design for a dual layered sleeping pillow, as shown and described.

DESCRIPTION

FIG. 1 is a left side top plan view of the design;
FIG. 2 is a right side top plan view thereof;
FIG. 3 is a left side top rear plan view thereof;
FIG. 4 is a right side top rear plan view thereof;
FIG. 5 is a front elevation thereof;
FIG. 6 is a left side elevation of the design thereof (with the right side elevation being mirror image of);
FIG. 7 is a rear elevation thereof;
FIG. 8 is a top perspective view thereof; and,
FIG. 9 is a bottom perspective view thereof.
Portions shown in broken lines indicate sewing and are not part of the claimed design.

1 Claim, 5 Drawing Sheets



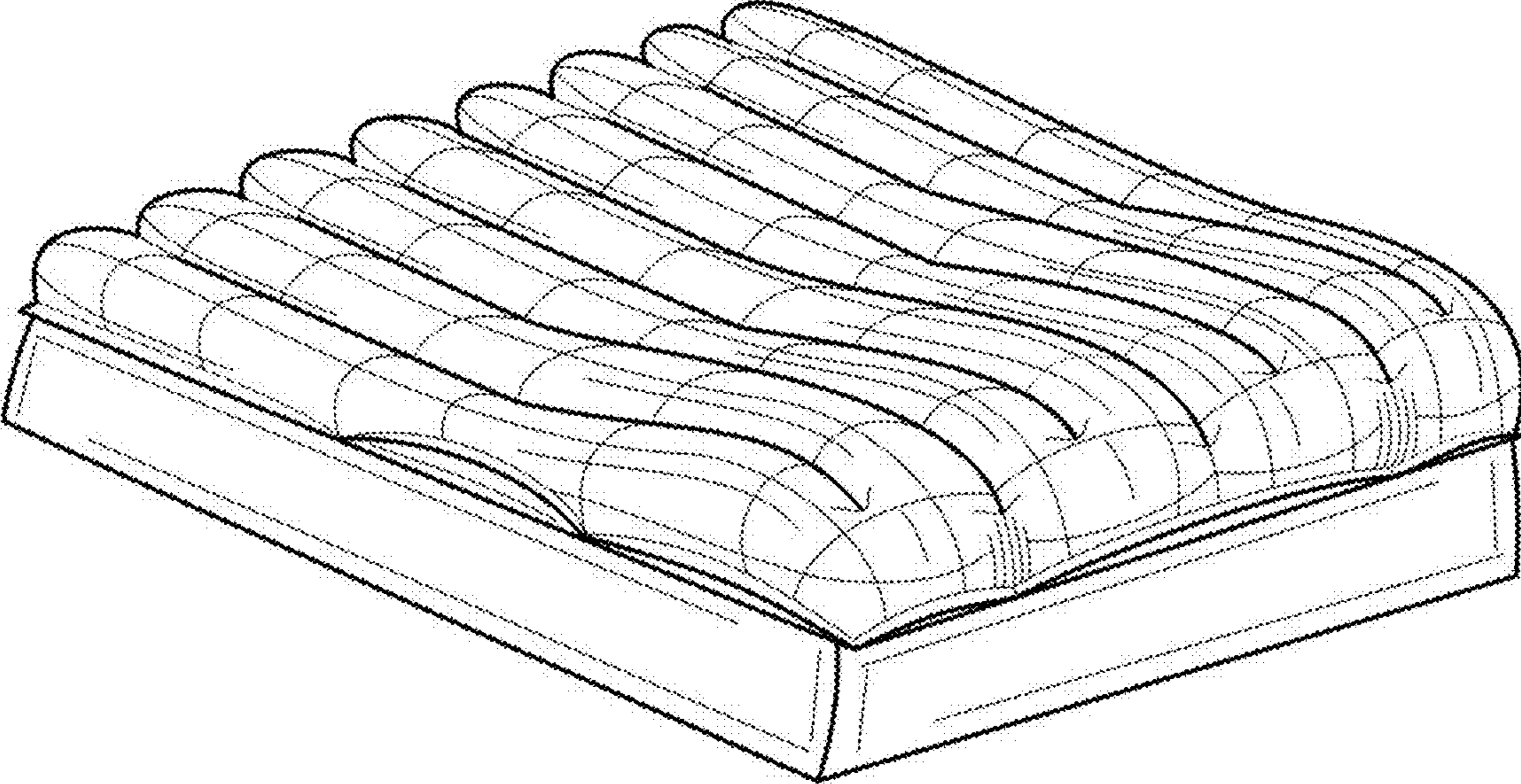


Fig. 1

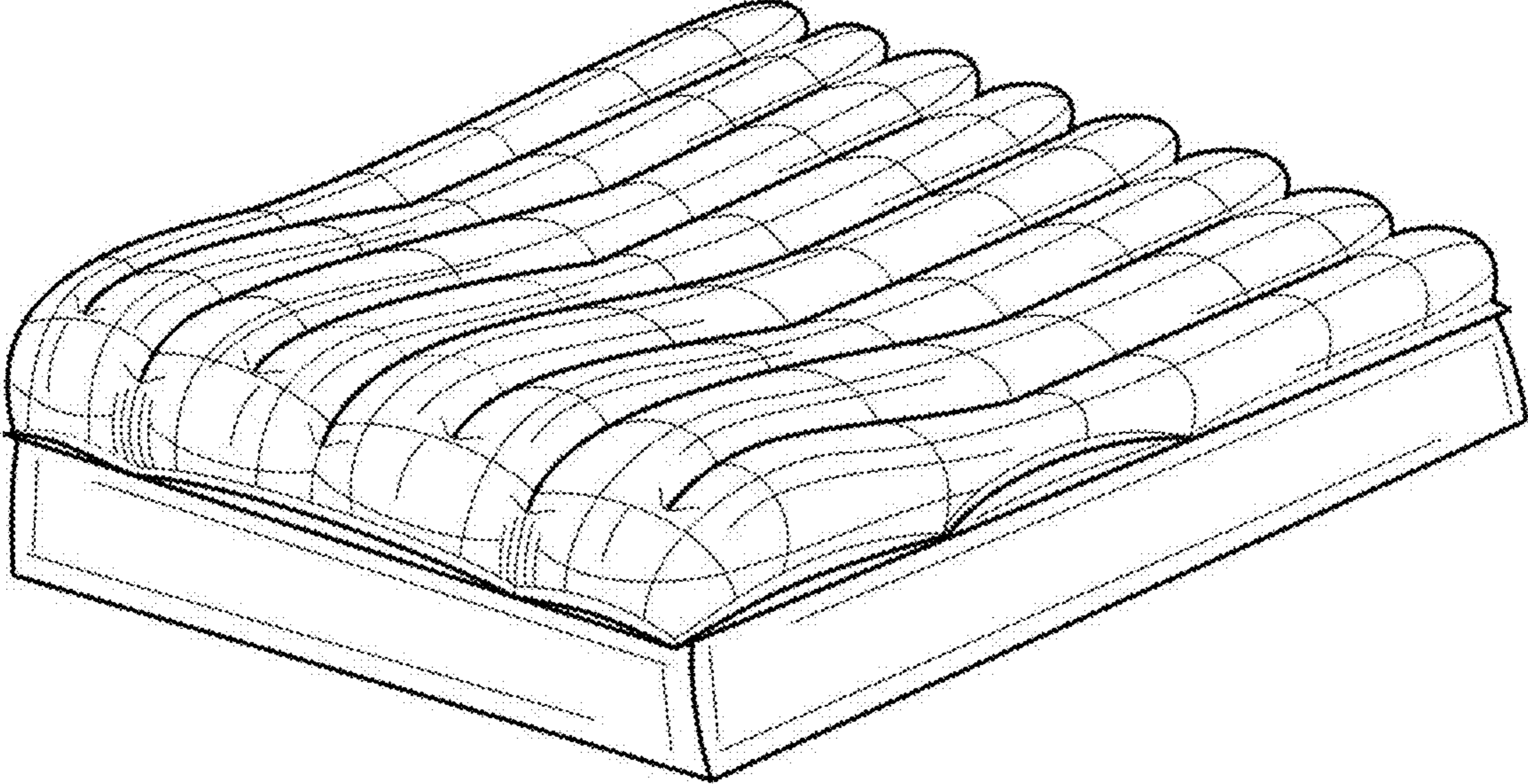


Fig. 2

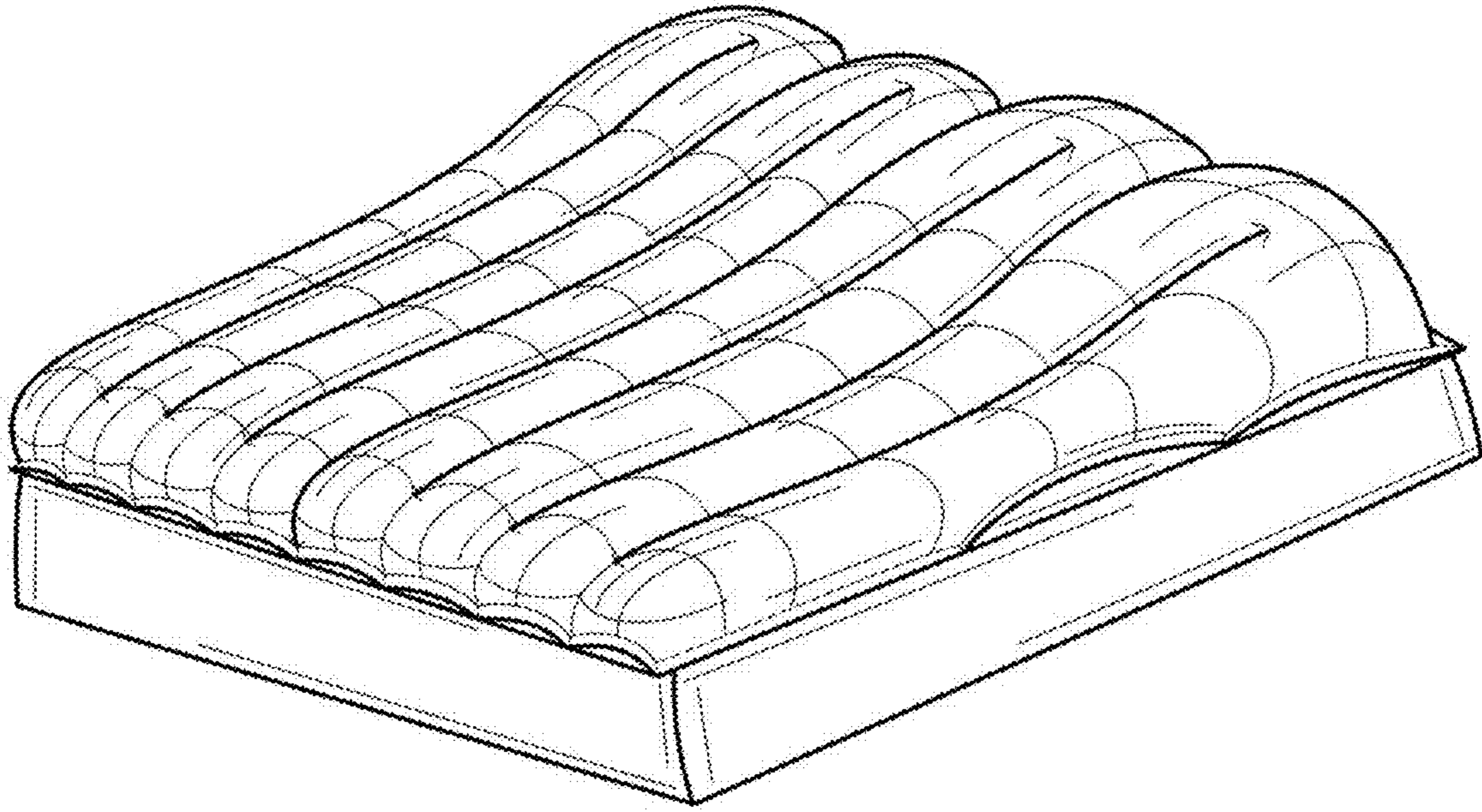


Fig. 3

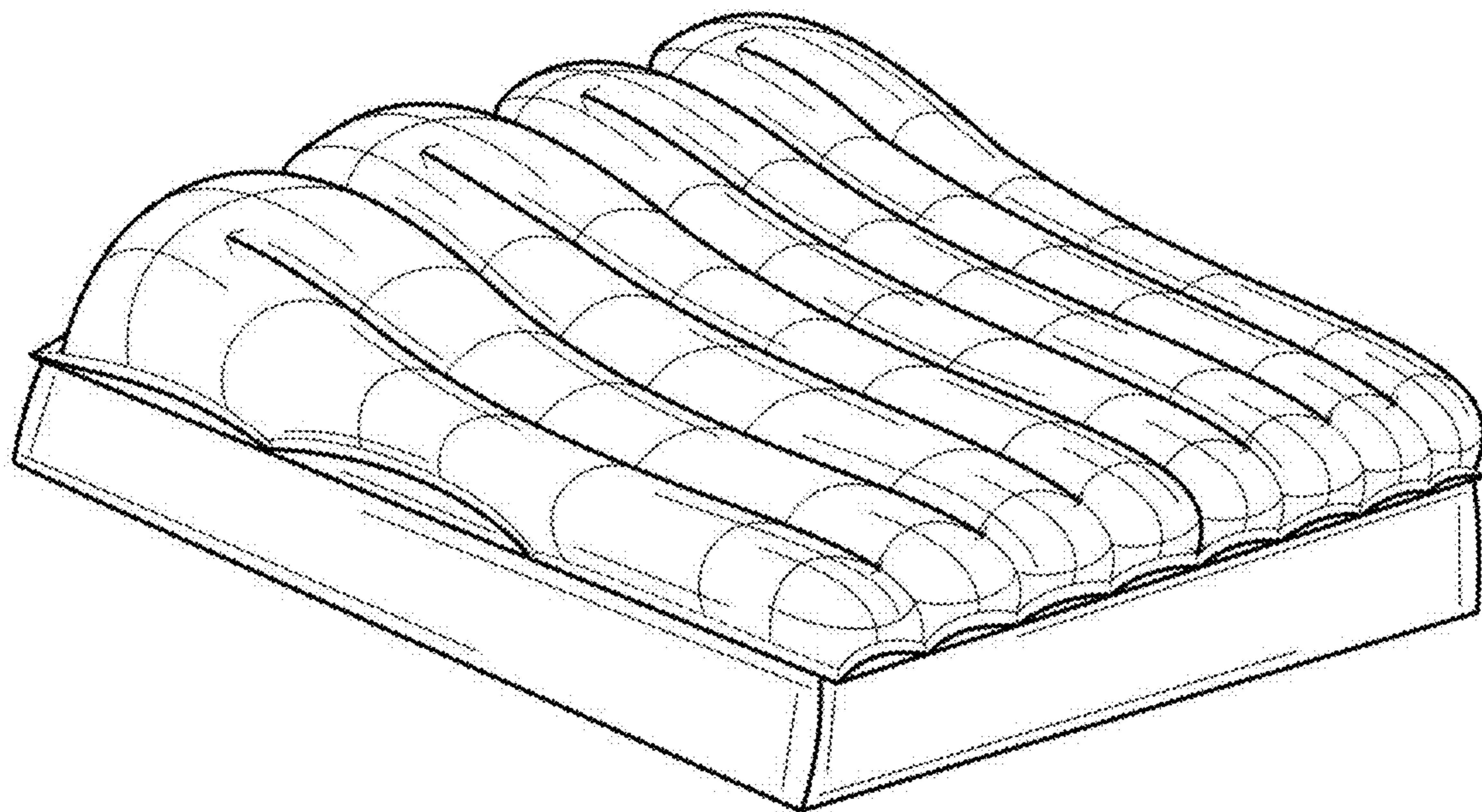


Fig. 4

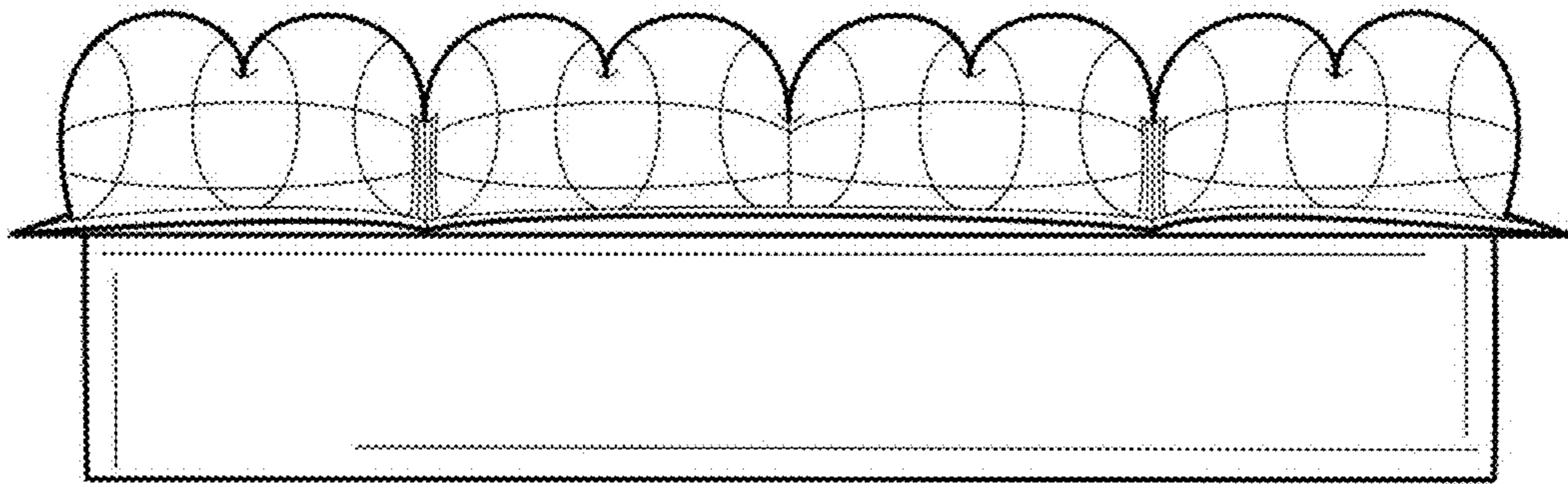


Fig. 5

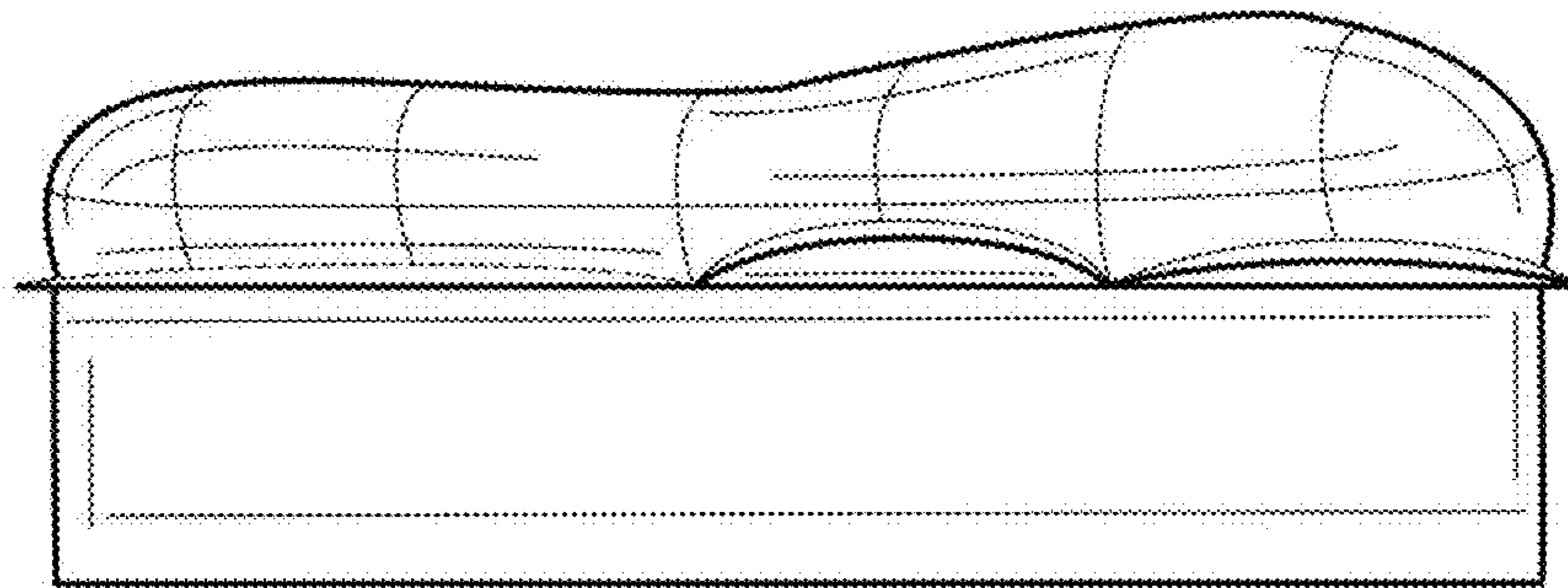


Fig. 6

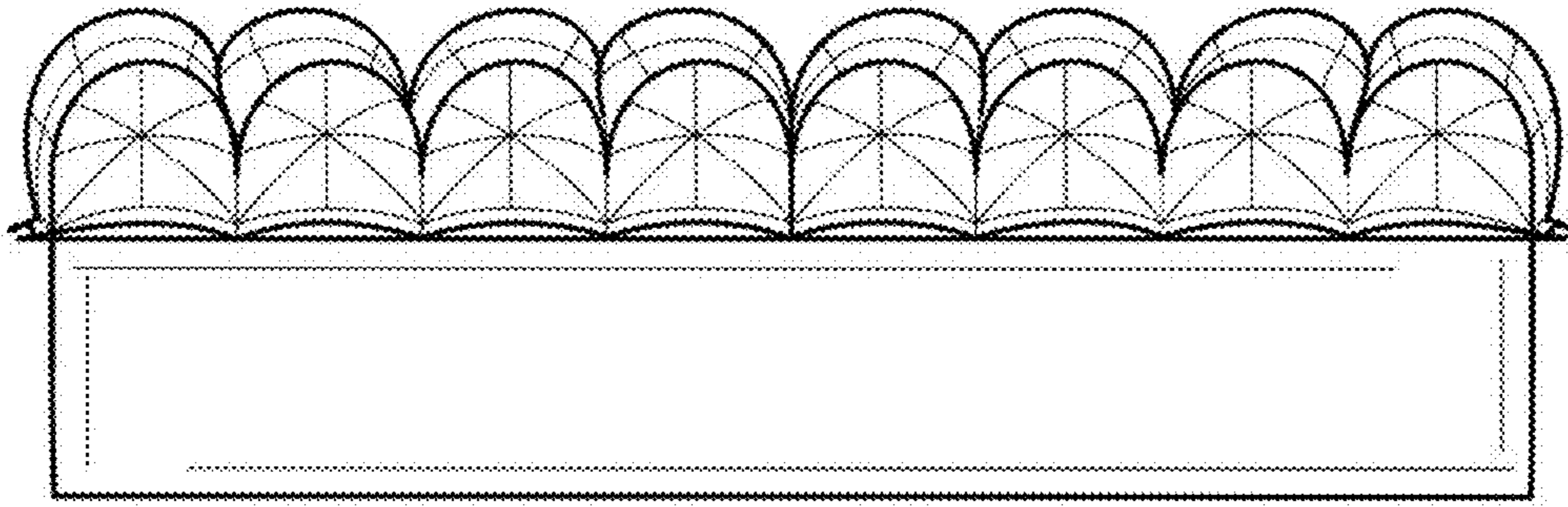


Fig. 7

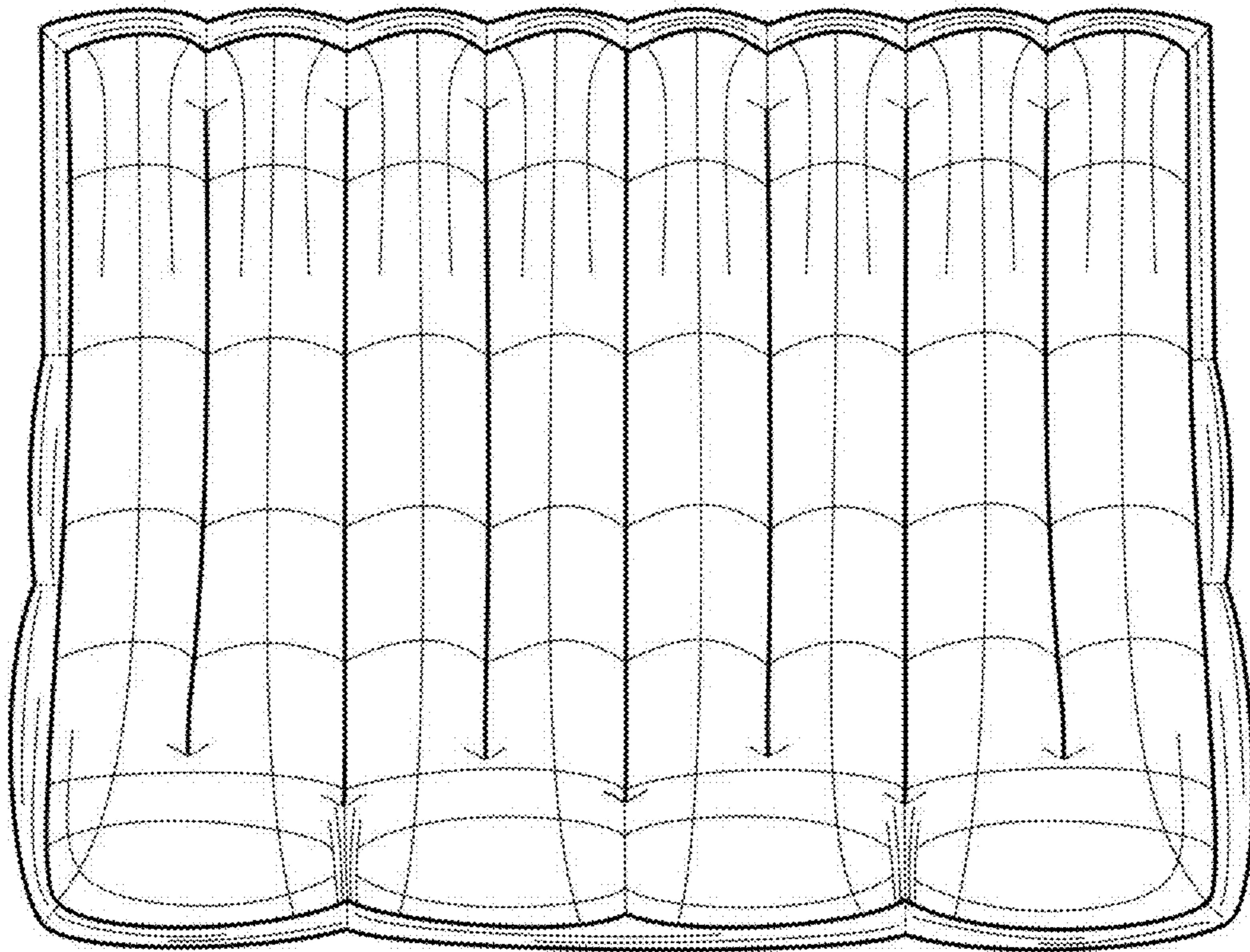


Fig. 8

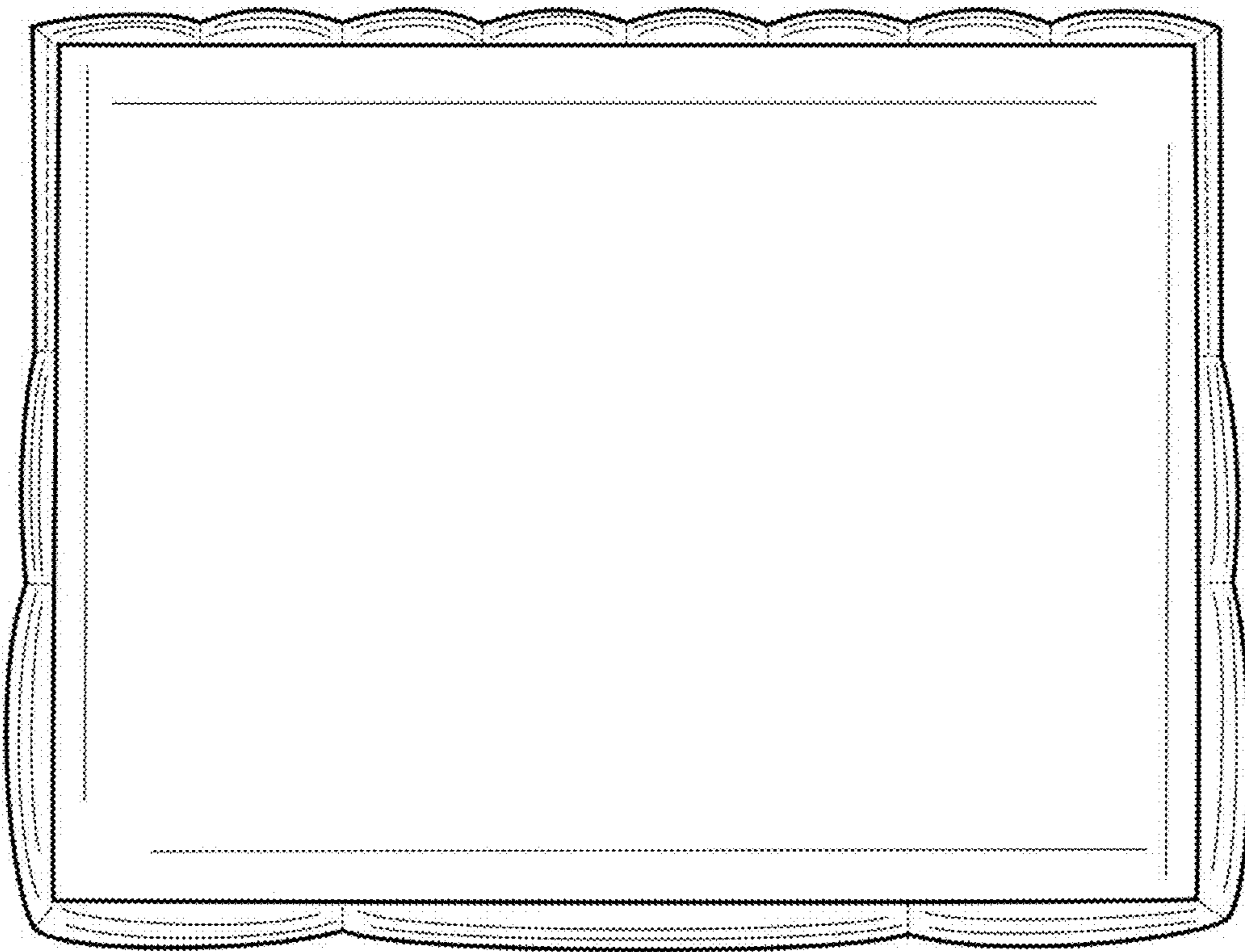


Fig. 9