



US00D899134S

(12) **United States Design Patent**
Meloche

(10) **Patent No.:** **US D899,134 S**

(45) **Date of Patent:** **** Oct. 20, 2020**

(54) **WINDOW VALANCE**

(71) Applicant: **PLASTIBEC INC.**, Boisbriand (CA)

(72) Inventor: **Benoit Meloche**, Boisbriand (CA)

(73) Assignee: **PLASTIBEC INC.**, Boisbriand (CA)

(**) Term: **15 Years**

(21) Appl. No.: **29/674,045**

(22) Filed: **Dec. 19, 2018**

(51) **LOC (12) Cl.** **06-10**

(52) **U.S. Cl.**
USPC **D6/579**

(58) **Field of Classification Search**
USPC D6/575-577, 579, 580; D13/155;
D25/119, 121, 136
CPC A47H 1/04; A47H 15/00; A47H 23/01;
E06B 2009/2622; E06B 2009/402; E06B
2009/407; E06B 9/26; E06B 9/28; E06B
9/323; E06B 9/36; E06B 9/386; E06B
9/388; E06B 9/40; E06B 9/42; E06B 9/58
See application file for complete search history.

(56) **References Cited**

U.S. PATENT DOCUMENTS

| | | | | | |
|-----------|-----|---------|----------|-------|---------------------------|
| 5,012,850 | A * | 5/1991 | Schrader | | A47H 2/00 160/178.1 R |
| 6,009,931 | A * | 1/2000 | Peterson | | E06B 9/323 160/168.1 R |
| D439,460 | S * | 3/2001 | Peterson | | D6/580 |
| D629,125 | S * | 12/2010 | Johnston | | A47H 2/00 D25/136 |
| D698,465 | S * | 1/2014 | Bill | | D25/119 |
| D810,553 | S * | 2/2018 | Amato | | D8/377 |
| D835,813 | S * | 12/2018 | Lee | | D25/136 |
| D866,221 | S * | 11/2019 | Chiquin | | D6/579 |
| D868,004 | S * | 11/2019 | Kioski | | E04F 19/0495 D13/155 |

| | | | | | |
|--------------|------|---------|----------|-------|------------------------|
| D886,331 | S * | 6/2020 | Williams | | D25/136 |
| 2003/0221794 | A1 * | 12/2003 | Morris | | A47H 2/00 160/38 |
| 2006/0027335 | A1 * | 2/2006 | Nien | | E06B 9/322 160/39 |
| 2007/0256376 | A1 * | 11/2007 | Vaes | | E04F 19/0495 52/211 |
| 2009/0126881 | A1 * | 5/2009 | Chi | | A47H 2/00 160/368.1 |

* cited by examiner

Primary Examiner — Kevin K Rudzinski

Assistant Examiner — Clare Ann Gannon

(74) *Attorney, Agent, or Firm* — Levenfeld Pearlstein, LLC

(57) **CLAIM**

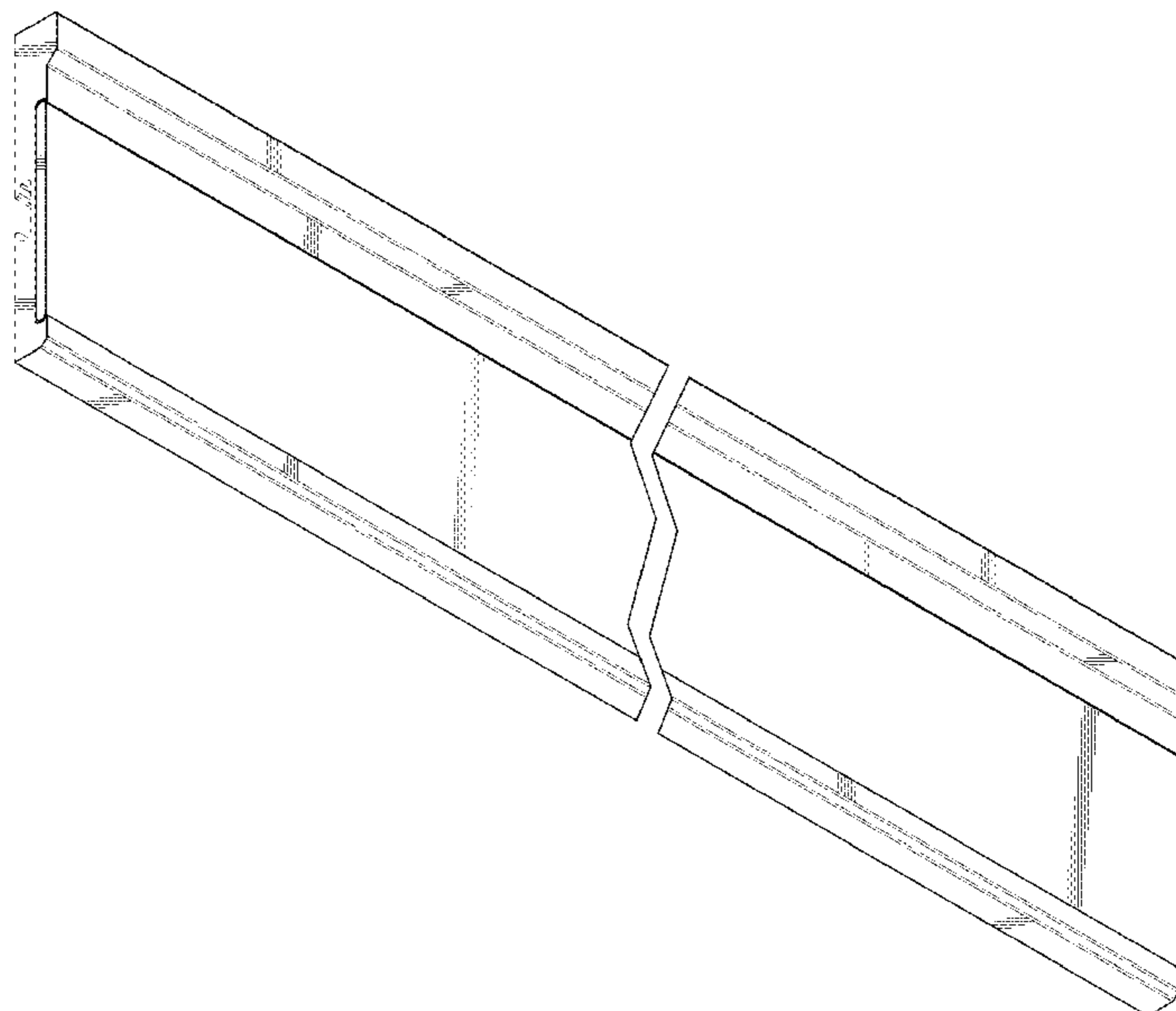
The ornamental design for a window valance, as shown and described.

DESCRIPTION

FIG. 1 is a front, left hand side perspective view of a window valance embodying the principles of my new design; FIG. 2 is a rear, left hand perspective view thereof; FIG. 3 is a front view thereof; FIG. 4 is a rear view thereof; FIG. 5 is a top view thereof; FIG. 6 is a bottom view thereof; FIG. 7 is a side view thereof as seen from the left-hand side of FIG. 3; and, FIG. 8 is a side view thereof as seen from the right-hand side of FIG. 3.

The break lines shown in FIGS. 1-6 symbolize breaks in the length of the article in which the claimed design is embodied. The appearance of any portion of the article between the break lines forms no part of the claimed design. The dashed lines represent portions of the window valance that form no part of the claimed design.

1 Claim, 5 Drawing Sheets



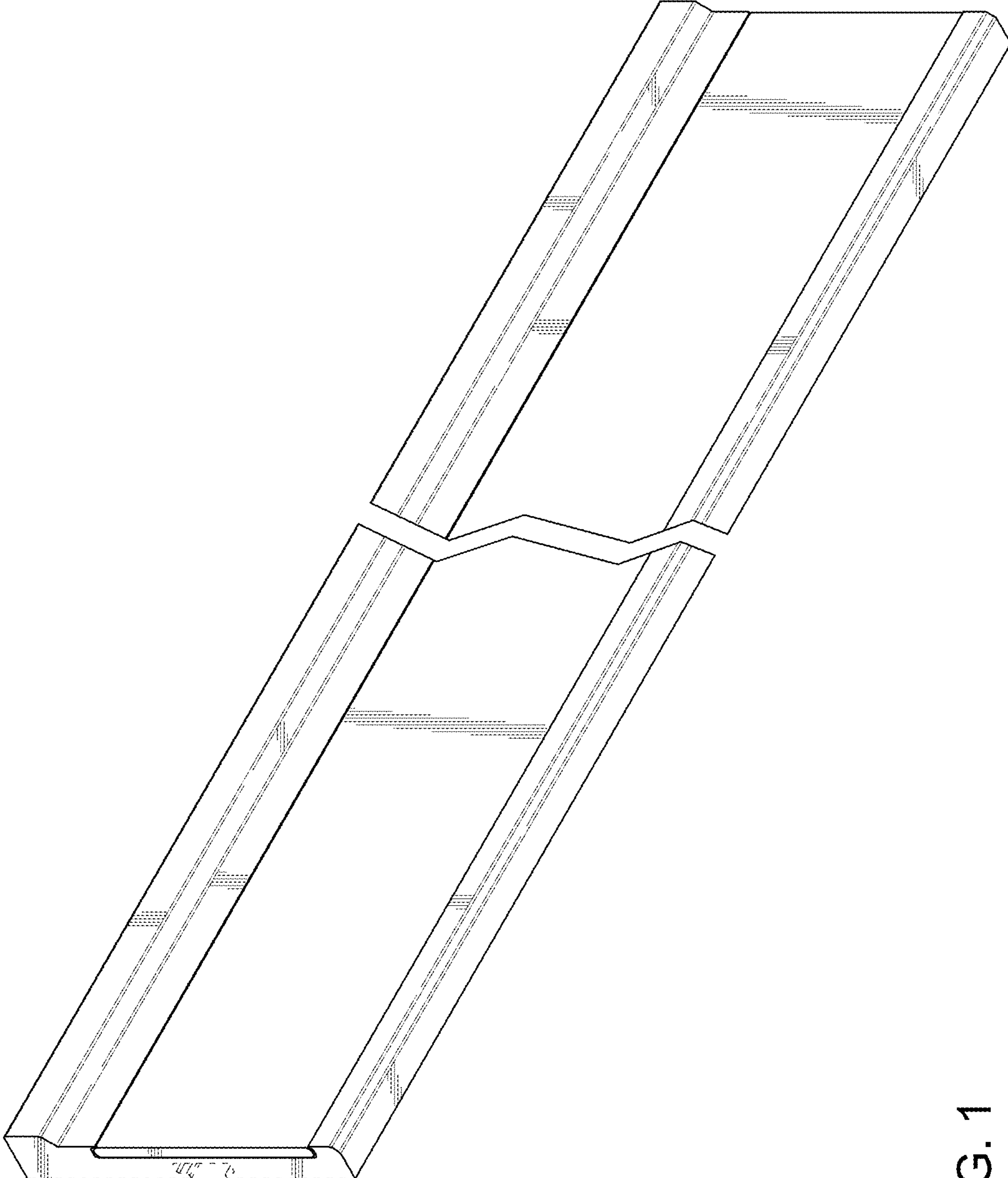


FIG. 1

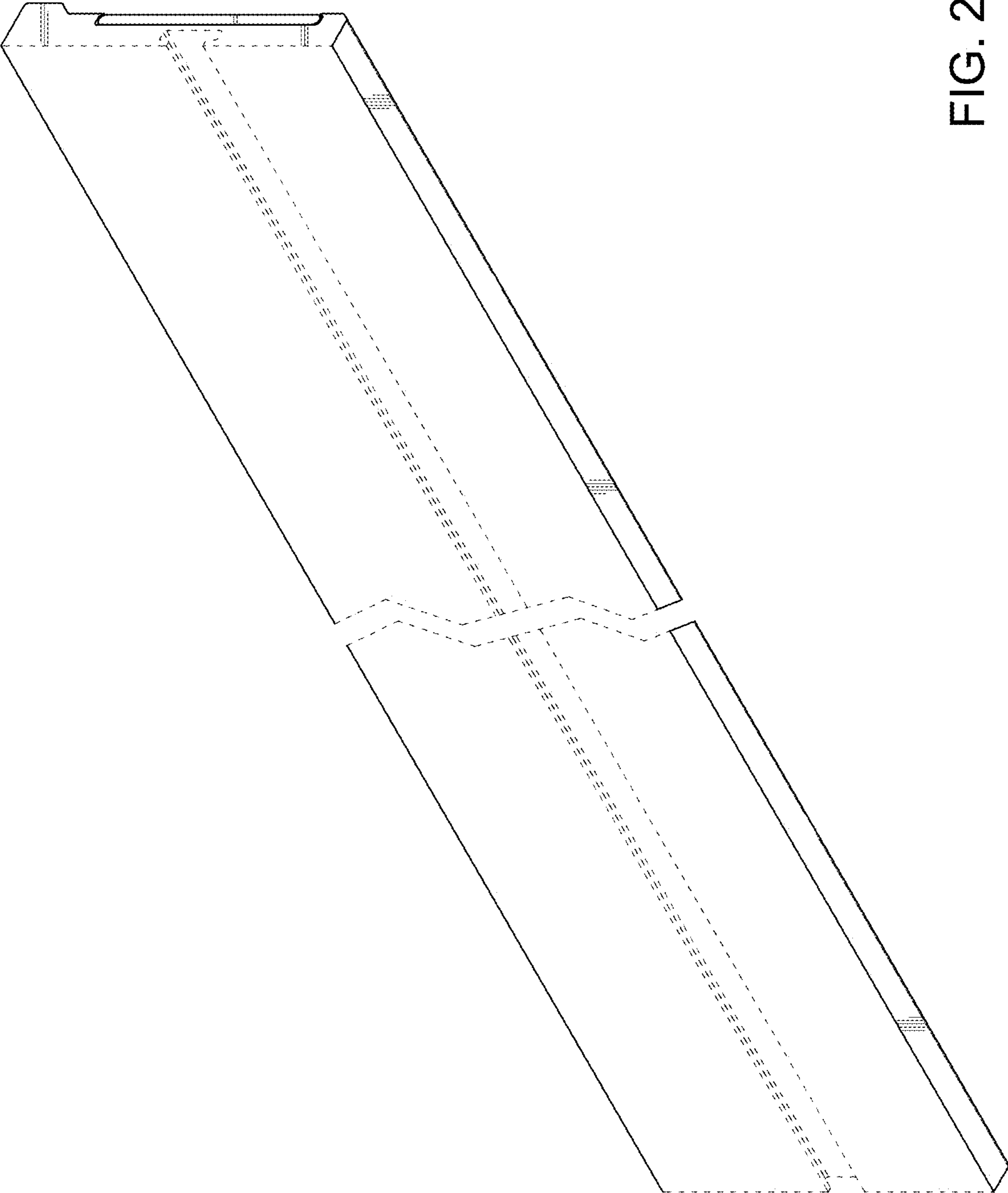


FIG. 2

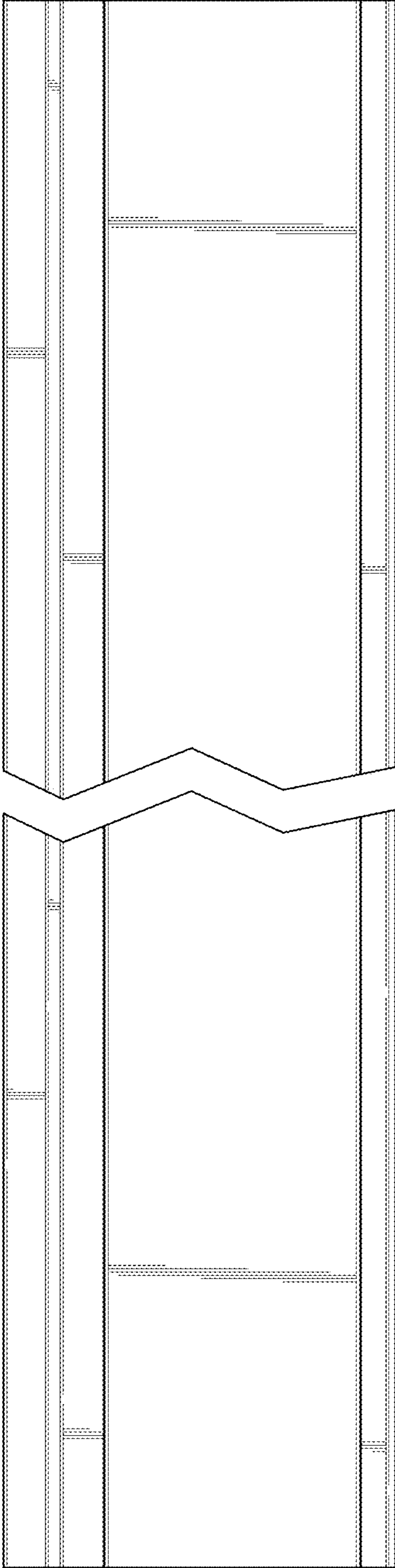


FIG. 3

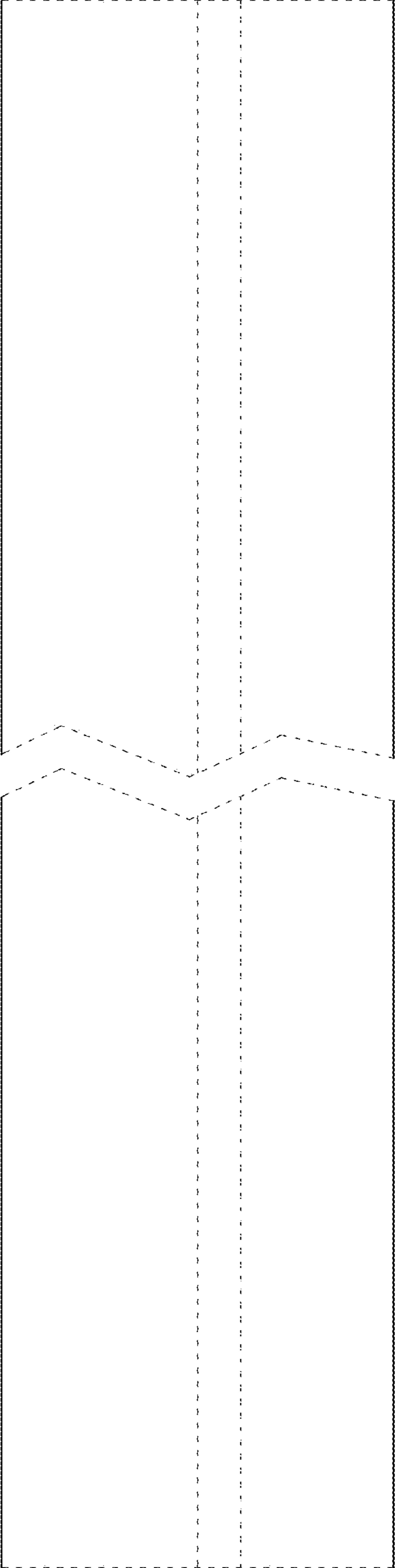


FIG. 4



FIG. 5



FIG. 6

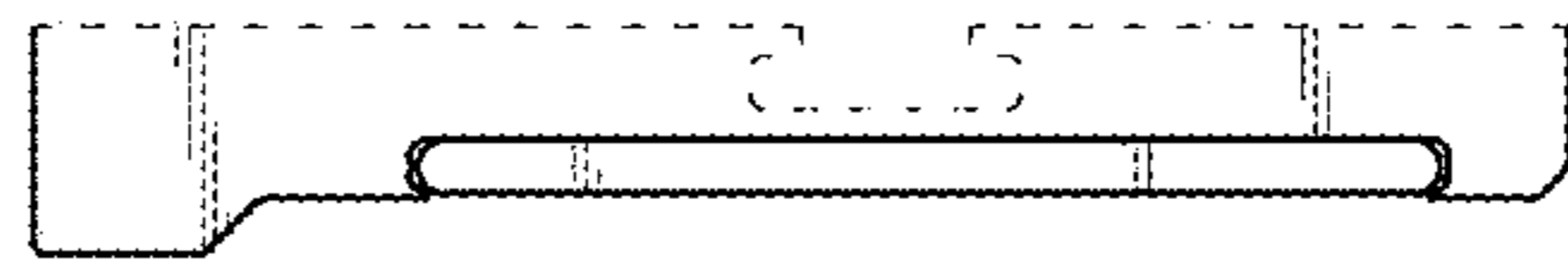


FIG. 8

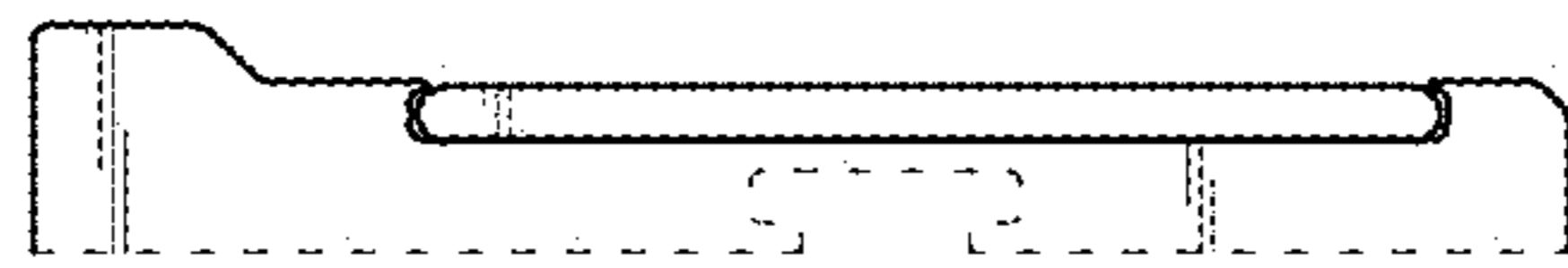


FIG. 7