

US00D899132S

(12) **United States Design Patent** (10) **Patent No.:** **US D899,132 S**
Léveillé et al. (45) **Date of Patent:** **** Oct. 20, 2020**

(54) **DISPENSER**

(71) Applicant: **CASCADES CANADA ULC**,
Montreal, Quebec (CA)

(72) Inventors: **Manuel Léveillé**, Montreal (CA);
Olivier Patry, Montreal (CA); **Nathalie Comeau**, Candiac (CA)

(73) Assignee: **CASCADES CANADA ULC**,
Montreal (CA)

(**) Term: **15 Years**

(21) Appl. No.: **29/647,684**

(22) Filed: **May 15, 2018**

(30) **Foreign Application Priority Data**

Feb. 23, 2018 (CA) 179934

(51) **LOC (12) Cl.** **20-02**

(52) **U.S. Cl.**
USPC **D6/518; D6/522; D6/545**

(58) **Field of Classification Search**
USPC D6/515-518, 553, 542-545, 567, 574;
206/225, 233, 389, 391, 77.1; 211/13.1,
211/173, 180, 45, 86.01, 87.02, 87.01;
248/309.1, 309.2, 905; 242/570, 590;
221/26.33, 282, 283, 14, 92, 105;
222/173, 180, 281-282
CPC ... A47K 10/40; A47K 10/38; A47K 2010/324
See application file for complete search history.

(56) **References Cited**

U.S. PATENT DOCUMENTS

2,198,176 A 4/1940 Perrin
3,010,670 A 11/1961 Jones et al.
3,101,181 A 8/1963 Clelland et al.

3,184,176 A 5/1965 Tucker et al.
3,211,504 A 10/1965 Bump
3,329,366 A 7/1967 Batlas et al.
3,361,504 A 1/1968 Maslow et al.
3,437,388 A 4/1969 Jespersen
(Continued)

FOREIGN PATENT DOCUMENTS

CA 2090778 A1 2/1994
CA 2116671 C 10/1995
(Continued)

Primary Examiner — Nathan M Johnston
(74) *Attorney, Agent, or Firm* — Marshall, Gerstein &
Borun LLP

(57) **CLAIM**

The ornamental design for a dispenser, as shown and described.

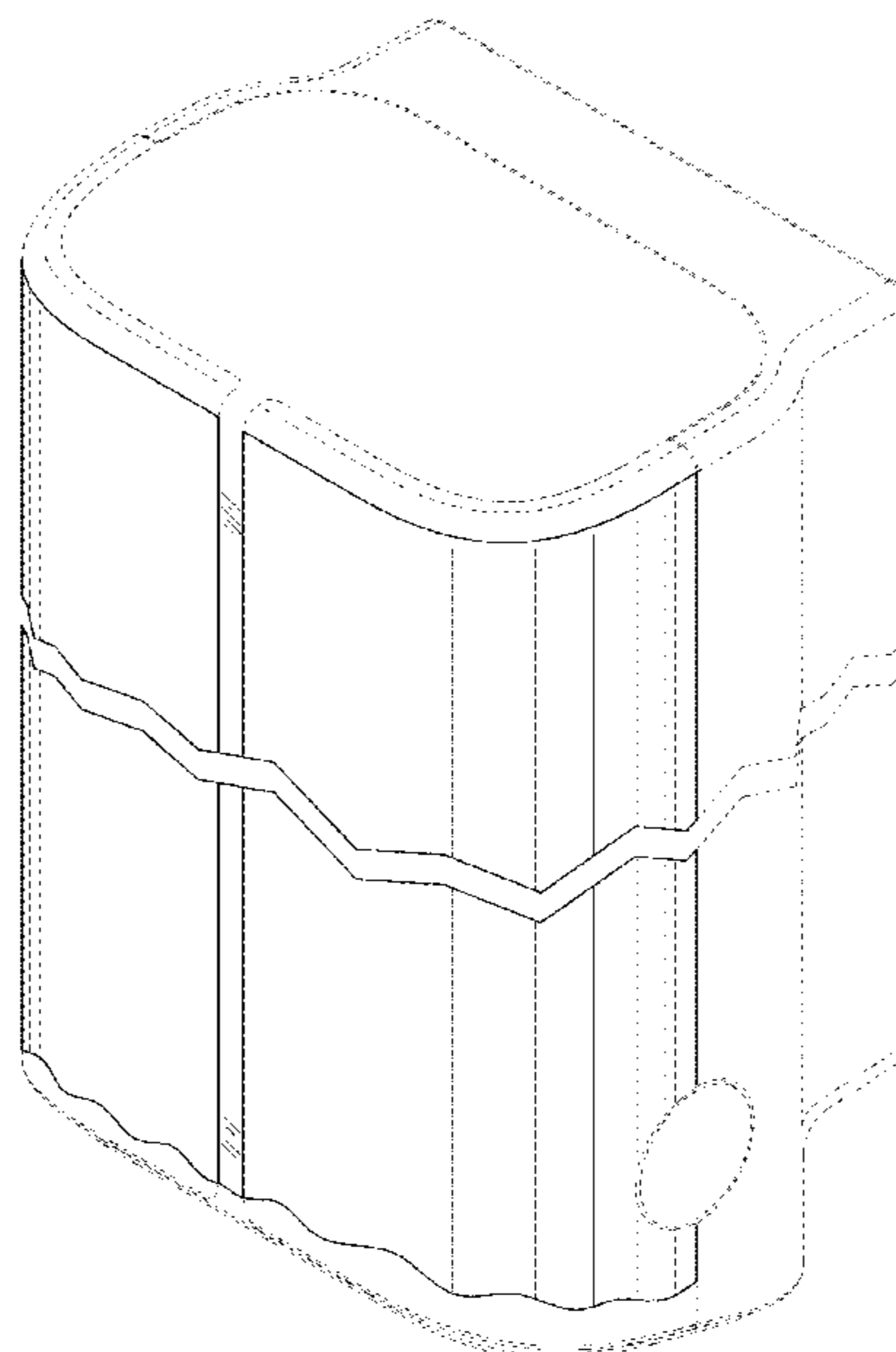
DESCRIPTION

FIG. 1 is a perspective view of a dispenser of the inventive design;
FIG. 2 is a front elevation view of the dispenser shown in FIG. 1;
FIG. 3 is a rear elevation view of the dispenser shown in FIG. 1;
FIG. 4 is a top plan view of the dispenser shown in FIG. 1;
FIG. 5 is a bottom plan view of the dispenser shown in FIG. 1;
FIG. 6 is left-side elevation view of the dispenser shown in FIG. 1; and,
FIG. 7 is right-side elevation view of the dispenser shown in FIG. 1.

The portions shown in stippled lines do not form part of the claimed design.

The dispenser is shown with symbolic breaks in its length and width. The appearance of any portion of the article between the break lines forms no part of the claimed design.

1 Claim, 7 Drawing Sheets



(56)

References Cited

U.S. PATENT DOCUMENTS

3,484,052 A	12/1969	Clarke	7,374,128 B2	5/2008	Hendrix et al.	
3,586,252 A	6/1971	Sutton	D572,058 S	7/2008	Cittadino et al.	
3,620,466 A	11/1971	Bump	7,422,174 B2	9/2008	Elliott et al.	
3,677,485 A	7/1972	Berg	7,461,810 B2	12/2008	Goeking et al.	
3,690,580 A	9/1972	Jespersen	7,588,209 B2	9/2009	Demers	
3,770,222 A	11/1973	Jespersen	7,648,097 B2	1/2010	Cattacin et al.	
3,948,454 A	4/1976	Bastian	D615,329 S *	5/2010	Meyerhoffer	D6/518
4,108,389 A	8/1978	Womack	D619,838 S	7/2010	Kim	
4,164,306 A *	8/1979	Perrin	D620,290 S	7/2010	Herrera	
	 A47K 5/12	D623,452 S *	9/2010	McNeely	D6/518
		141/375	7,841,558 B2	11/2010	Elliott et al.	
4,205,802 A	6/1980	Economakis	7,861,964 B2	1/2011	Cittadino et al.	
4,389,026 A	6/1983	Willa et al.	7,866,593 B2	1/2011	Friesen et al.	
4,410,221 A	10/1983	Vallis et al.	7,878,444 B2	2/2011	Friesen et al.	
4,422,584 A	12/1983	Dashnier et al.	7,913,945 B2	3/2011	Friesen et al.	
4,422,585 A	12/1983	Schultz et al.	7,967,235 B2	6/2011	Forman et al.	
4,432,261 A	2/1984	DeLuca	D653,888 S	2/2012	Velazquez et al.	
4,607,809 A	8/1986	Sineni et al.	D654,740 S	2/2012	Cheng et al.	
4,747,365 A	5/1988	Tusch	D656,766 S	4/2012	Velazquez et al.	
4,872,601 A	10/1989	Sigmund	D660,013 S	5/2012	Tardif et al.	
5,172,840 A	12/1992	Bloch et al.	D666,035 S	8/2012	Velazquez et al.	
5,265,816 A	11/1993	Collins	D667,640 S	9/2012	Bosse et al.	
5,271,574 A	12/1993	Formon et al.	8,256,644 B2	9/2012	Orgna	
5,288,032 A	2/1994	Boone et al.	D668,484 S *	10/2012	Velazquez	D6/518
5,310,129 A	5/1994	Whittington et al.	D670,518 S *	11/2012	Kluck	D6/515
5,449,127 A	9/1995	Davis	D673,778 S	1/2013	Bosse et al.	
5,495,997 A	3/1996	Moody	D674,633 S	1/2013	Green et al.	
5,628,474 A	5/1997	Krueger et al.	D676,248 S	2/2013	Bosse et al.	
5,645,244 A	7/1997	Moody	D677,085 S	3/2013	Velazquez et al.	
5,669,576 A	9/1997	Moody	D681,987 S	5/2013	Cittadino et al.	
5,690,299 A	11/1997	Perrin et al.	8,439,293 B2	5/2013	Hagleitner	
5,762,286 A	6/1998	Schutz	D686,845 S *	7/2013	Brink	D6/525
5,762,287 A	6/1998	Schutz	D687,653 S *	8/2013	Giovannoni	D6/545
5,813,624 A	9/1998	Grasso et al.	8,511,600 B2	8/2013	Formon et al.	
5,833,169 A	11/1998	Morand	D688,895 S	9/2013	Sun Ting Kung et al.	
5,868,342 A	2/1999	Moody et al.	D695,542 S *	12/2013	Niada	D6/518
5,873,542 A	2/1999	Perrin et al.	D703,463 S *	4/2014	Giovannoni	D6/545
5,954,256 A	9/1999	Niada	D708,865 S	7/2014	Sun Ting Kung et al.	
6,027,002 A	2/2000	Granger	D711,663 S	8/2014	Walters	
6,036,134 A	3/2000	Moody	D715,576 S *	10/2014	Hagleitner	D6/545
6,089,499 A	7/2000	Robinson	D726,443 S *	4/2015	Giovannoni	D6/545
6,145,779 A	11/2000	Johnson et al.	D726,444 S *	4/2015	Giovannoni	D6/545
6,202,956 B1	3/2001	Grasso et al.	D727,058 S	4/2015	Morand	
D447,372 S	9/2001	Fisscher	D727,652 S	4/2015	Sun Ting Kung et al.	
D447,373 S	9/2001	Fisscher	D740,587 S	10/2015	Sun Ting Kung et al.	
D447,657 S	9/2001	Fisscher	9,192,268 B2	11/2015	Denis et al.	
D447,897 S	9/2001	Fisscher	9,241,601 B2	1/2016	Case et al.	
D447,898 S	9/2001	Fisscher	D754,453 S	4/2016	Mrvica	
D448,222 S	9/2001	Fisscher	D756,683 S	5/2016	Morand	
6,296,331 B1	10/2001	Tramontina	9,326,648 B2	5/2016	Trampolski	
6,328,255 B1	12/2001	Moody et al.	9,370,283 B2	6/2016	Fellhoelter	
6,364,245 B1	4/2002	Paal et al.	D761,585 S	7/2016	Roche et al.	
6,382,553 B1	5/2002	Lewis et al.	D766,612 S	9/2016	Roche et al.	
6,386,479 B1	5/2002	Lewis et al.	D767,297 S	9/2016	Madsen et al.	
6,508,432 B2	1/2003	Krivulin	D773,834 S	12/2016	Croteau et al.	
D472,398 S	4/2003	Sparkowski	D775,849 S	1/2017	Brickl	
6,592,068 B2	7/2003	Taylor et al.	D781,067 S	3/2017	Cross et al.	
D478,737 S	8/2003	Sparkowski	D782,830 S	4/2017	Enderby	
6,679,409 B2	1/2004	Petterson	D782,842 S	4/2017	Morand et al.	
6,752,349 B2	6/2004	Moody et al.	9,648,995 B2	5/2017	Elliott et al.	
6,766,976 B2	7/2004	Salåker et al.	D790,227 S	6/2017	Tambellini	
D504,041 S	4/2005	Dudley et al.	D790,873 S *	7/2017	Ku	D6/518
7,014,140 B2	3/2006	Elliott et al.	D791,498 S	7/2017	Brickl	
D522,781 S	6/2006	Wieser et al.	D793,117 S	8/2017	Hagleitner	
D525,063 S	7/2006	Woods et al.	D794,341 S	8/2017	Enderby	
7,083,138 B2	8/2006	Elliott et al.	D796,223 S	9/2017	Madsen	
7,114,676 B2	10/2006	Elliott et al.	D796,866 S	9/2017	Johnson	
D537,667 S *	3/2007	van Haperen	D796,867 S	9/2017	Johnson	
7,185,841 B2	3/2007	Kaufmann	D796,868 S	9/2017	Johnson	
D547,581 S	7/2007	Cittadino et al.	D798,080 S *	9/2017	Duncan	D6/542
D551,474 S	9/2007	Cittadino et al.	D798,629 S	10/2017	Sinclair et al.	
D551,475 S	9/2007	Cittadino et al.	D799,235 S	10/2017	Madsen	
D551,476 S *	9/2007	Cittadino	D799,236 S	10/2017	Madsen	
D553,402 S *	10/2007	Orgna	D799,692 S	10/2017	Buning-Weddewer	
D553,407 S *	10/2007	Orgna	D809,819 S *	2/2018	Johnson	D6/542
D564,267 S *	3/2008	Tomic	D810,460 S *	2/2018	Blick	D6/518
			D811,120 S *	2/2018	Johnson	D6/542
			D811,770 S *	3/2018	Brownley	D6/545
			D815,456 S *	4/2018	Hagleitner	D6/542

(56)

References Cited

U.S. PATENT DOCUMENTS

D824,188 S * 7/2018 Wiles D6/523
 2002/0033405 A1 3/2002 Gergek
 2002/0096595 A1 7/2002 Denton
 2002/0130215 A1 9/2002 Krivulin
 2004/0004151 A1 1/2004 Kapiloff et al.
 2004/0004153 A1 1/2004 Kapiloff et al.
 2004/0089762 A1 5/2004 Salaker et al.
 2005/0167543 A1 8/2005 Elliott et al.
 2006/0038054 A1 2/2006 Tramontina et al.
 2006/0279020 A1 12/2006 Elliott et al.
 2007/0205317 A1 9/2007 Miller
 2007/0290092 A1 12/2007 Won
 2008/0156926 A1 7/2008 Cattacin et al.
 2008/0245922 A1 10/2008 Fellhoelter
 2009/0065627 A1 3/2009 Goeking et al.
 2009/0072072 A1 3/2009 Elliott et al.
 2009/0266928 A1 10/2009 Friesen et al.
 2009/0266929 A1 10/2009 Friesen et al.
 2009/0266930 A1 10/2009 Friesen et al.
 2010/0206979 A1 8/2010 Collins
 2010/0243660 A1 9/2010 Manasas
 2011/0215187 A1 9/2011 Owurowa
 2012/0256036 A1 10/2012 Osborne
 2013/0075416 A1 3/2013 Boyce
 2013/0270978 A1 10/2013 Black
 2014/0076916 A1 3/2014 Boyce
 2014/0103133 A1 4/2014 Muderlak et al.
 2015/0076277 A1 3/2015 Elliott et al.
 2015/0157177 A1 6/2015 Carper et al.
 2016/0227969 A1 8/2016 Morris
 2016/0256018 A1 9/2016 Viessman et al.
 2016/0367088 A1* 12/2016 Allard A47K 10/36
 2017/0112336 A1 4/2017 Ruthven et al.
 2017/0188760 A1 7/2017 Henson et al.
 2017/0215659 A1 8/2017 Jefferson
 2017/0251890 A1 9/2017 Groover
 2017/0290471 A1 10/2017 Borke et al.
 2017/0290472 A1 10/2017 Borke et al.
 2017/0290473 A1 10/2017 Borke et al.

CA 2171066 C 8/1999
 CA 2300036 A1 9/2000
 CA 2190806 C 10/2000
 CA 2383206 A1 3/2001
 CA 2326872 A1 6/2001
 CA 2340853 A1 9/2001
 CA 2305110 A1 10/2001
 CA 2199092 C 11/2001
 CA 2359128 A1 4/2003
 CA 2381648 A1 4/2003
 CA 2414887 A1 6/2003
 CA 2465343 A1 6/2003
 CA 2430462 A1 1/2004
 CA 2217841 C 6/2005
 CA 2494802 A1 7/2005
 CA 2495163 A1 7/2005
 CA 2526662 A1 5/2006
 CA 2622388 A1 3/2007
 CA 2577225 A1 9/2007
 CA 2615407 A1 6/2008
 CA 2756903 A1 12/2011
 CA 2929466 A1 5/2015
 CA 2978227 A1 10/2016
 WO WO-1993004965 A1 3/1993
 WO WO-1997013440 A1 4/1997
 WO WO-1998011811 A1 3/1998
 WO WO-2002024044 A2 3/2002
 WO WO-2002053004 A1 7/2002
 WO WO-2002074148 A1 9/2002
 WO WO-2003047410 A1 6/2003
 WO WO-2006050748 A1 5/2006
 WO WO-2007035139 A1 3/2007
 WO WO-2008042963 A2 4/2008
 WO WO-2009135235 A2 11/2009
 WO WO-2011154625 A1 12/2011
 WO WO-2014058362 A1 4/2014
 WO WO-2014098672 A1 6/2014
 WO WO-2014200624 A1 12/2014
 WO WO-2015066644 A2 5/2015
 WO WO-2016166157 A1 10/2016
 WO WO-2017084689 A1 5/2017
 WO WO-2017105464 A1 6/2017
 WO WO-2017178605 A1 10/2017
 WO WO-2017180476 A1 10/2017

FOREIGN PATENT DOCUMENTS

CA 2192057 A1 6/1998
 CA 2239526 A1 6/1999

* cited by examiner

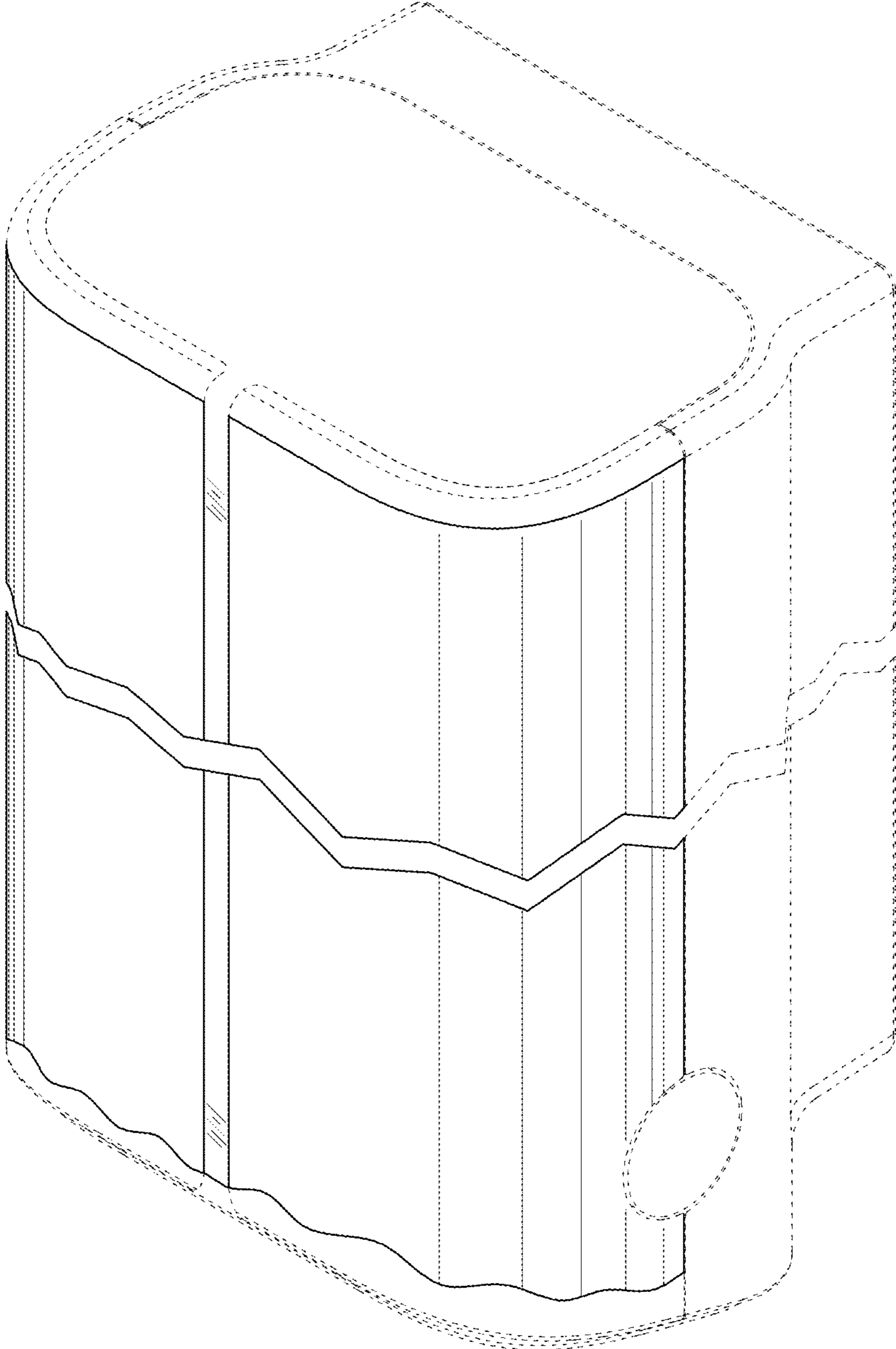


FIG. 1

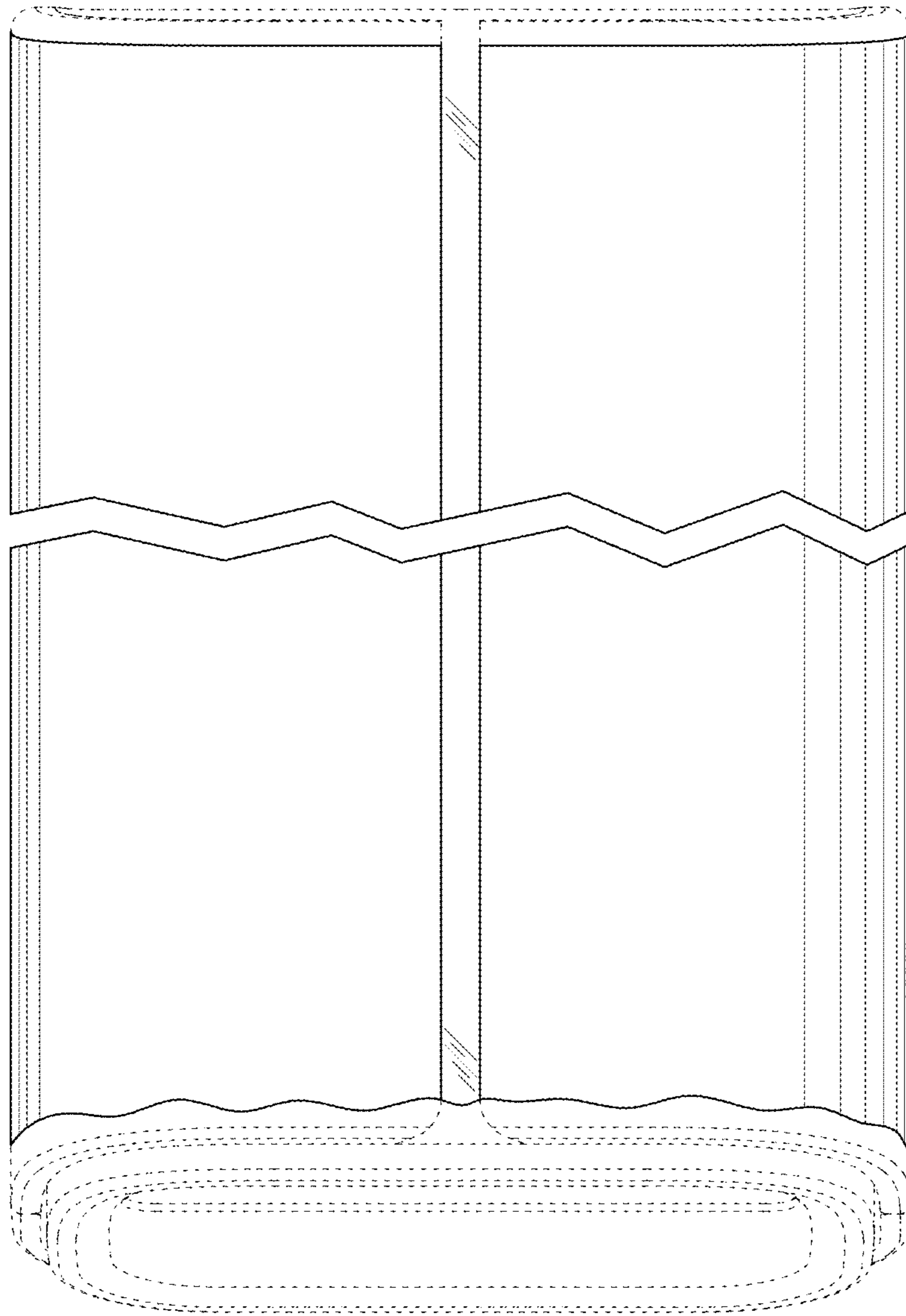


FIG. 2

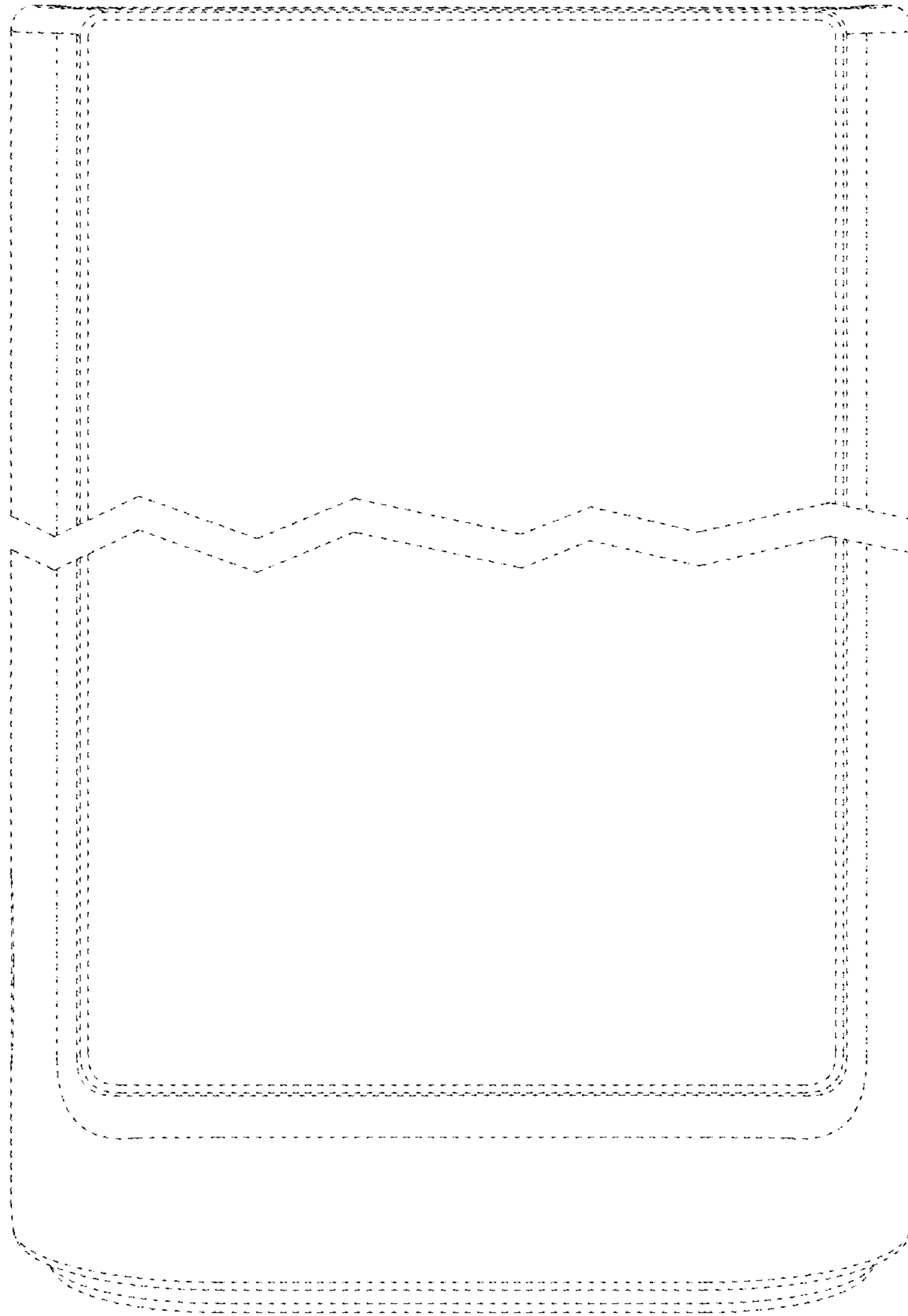


FIG. 3

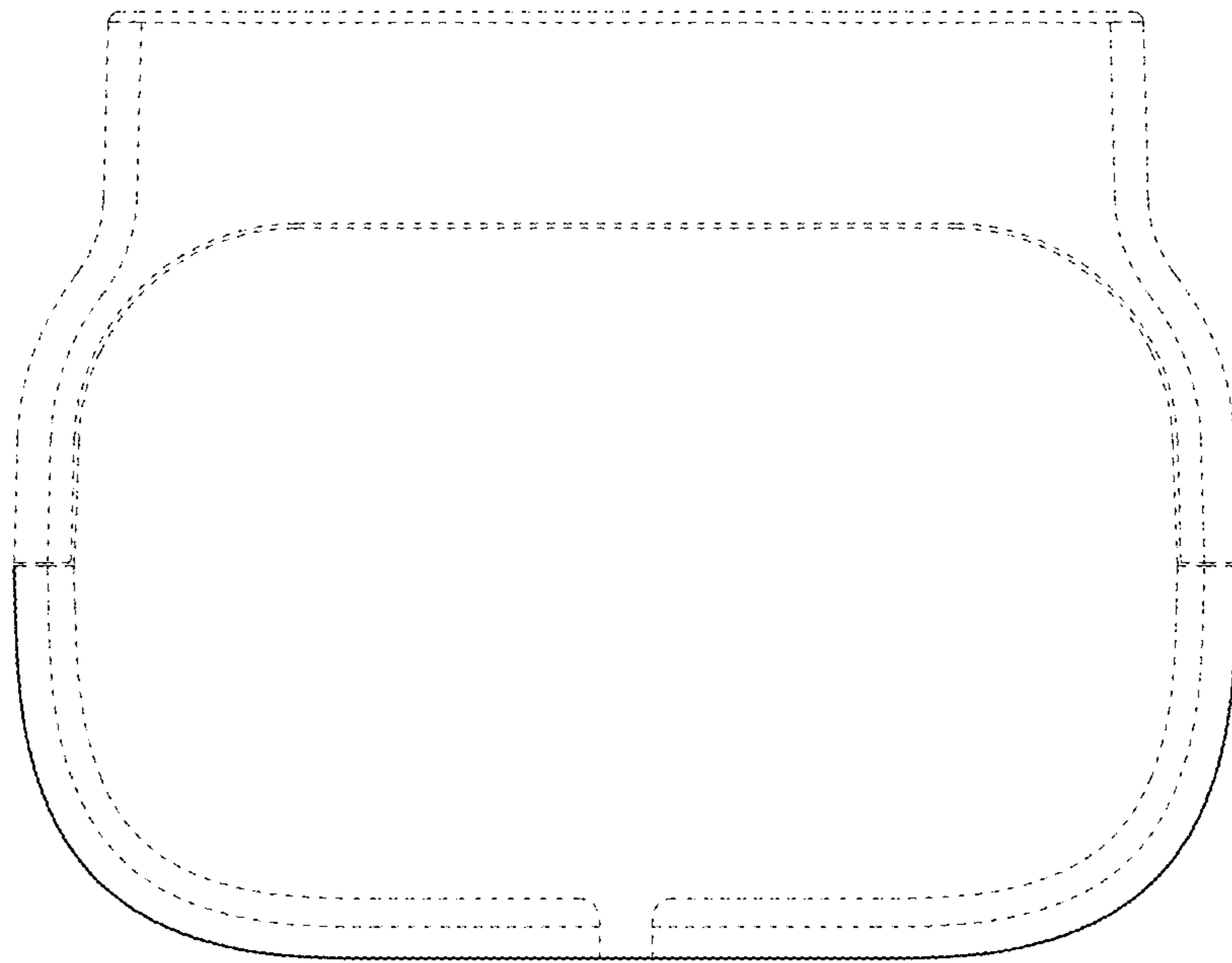


FIG. 4

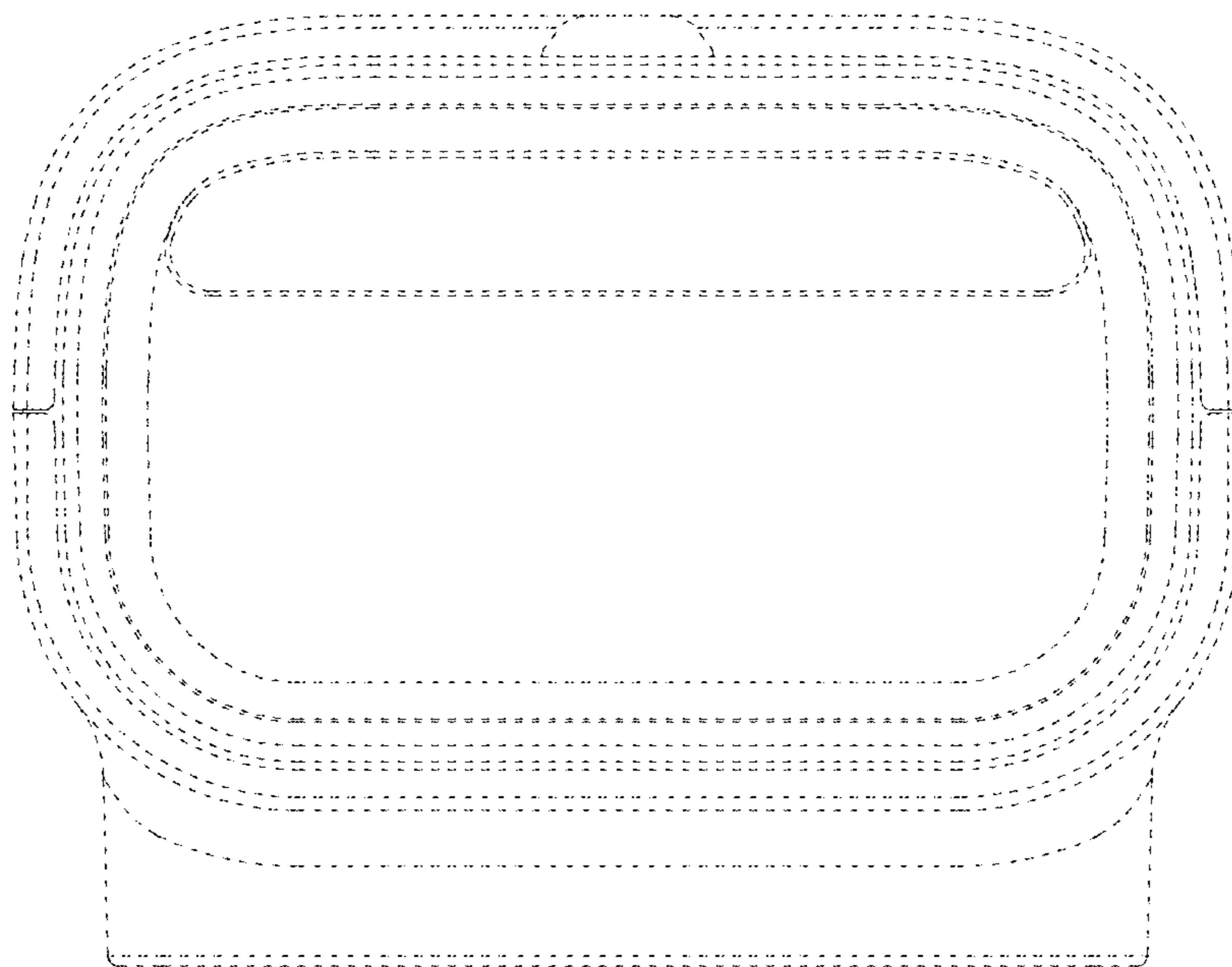


FIG. 5

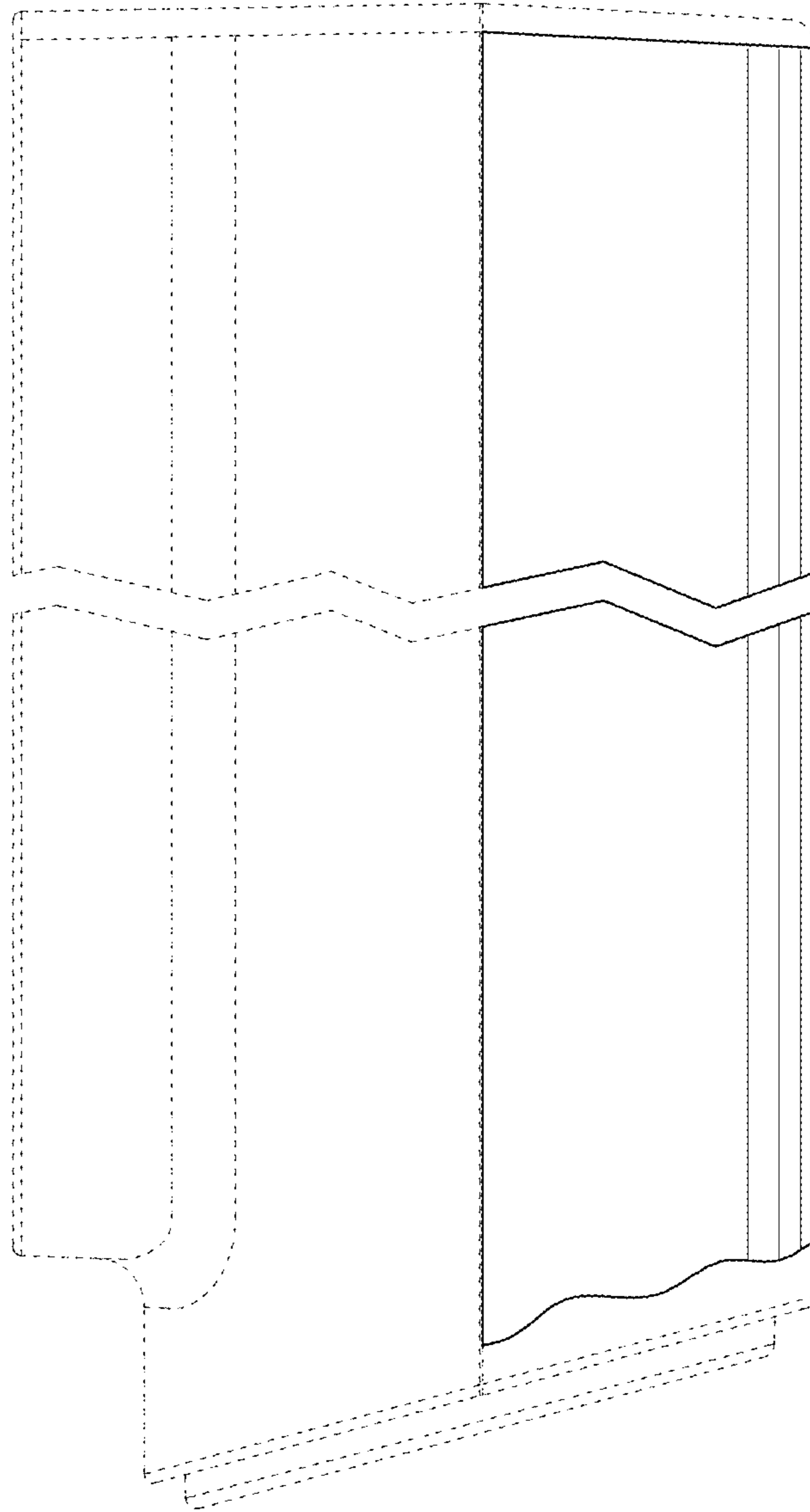


FIG. 6

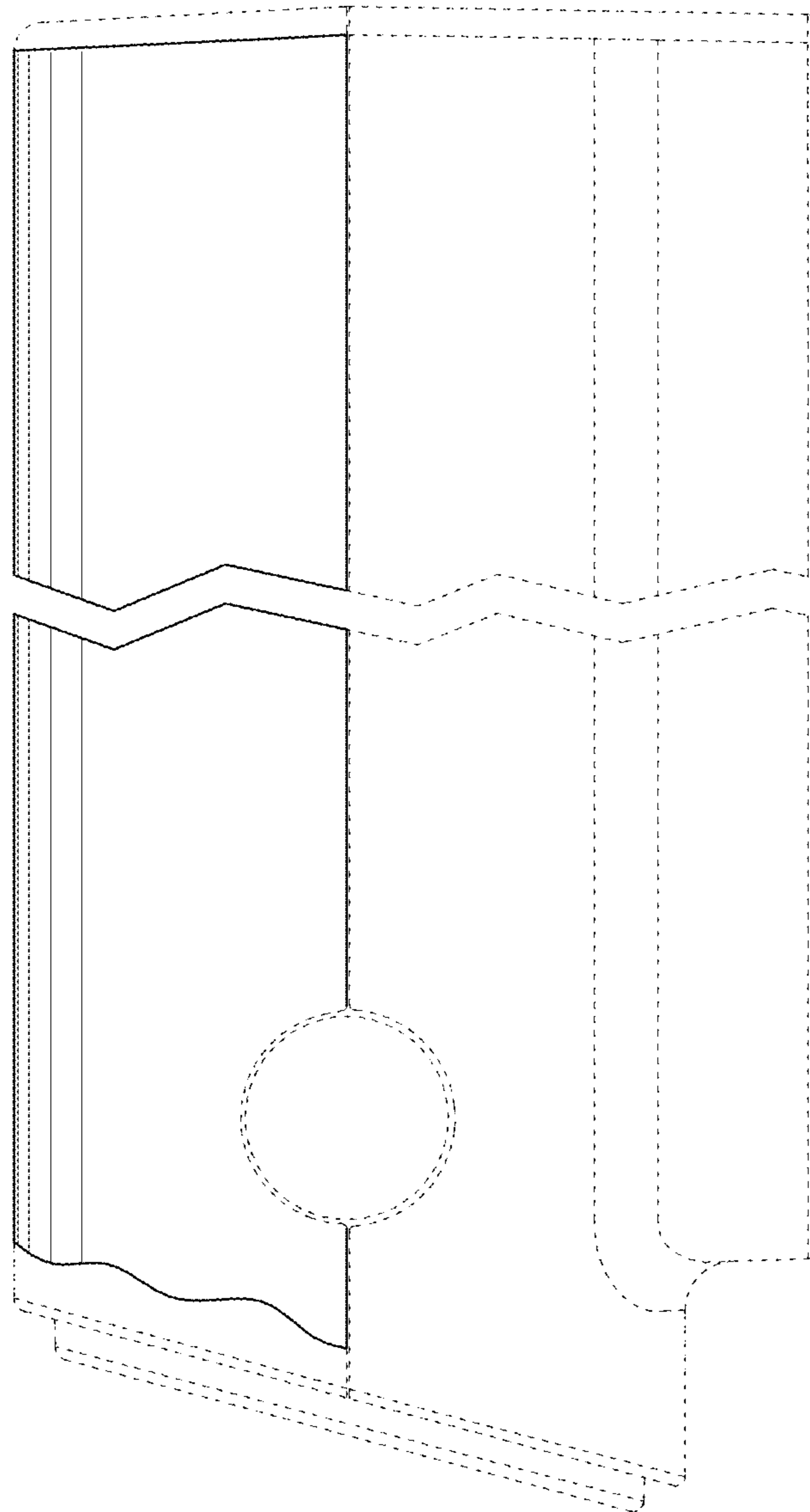


FIG. 7