



US00D899131S

(12) **United States Design Patent**  
**Gray**

(10) **Patent No.:** **US D899,131 S**

(45) **Date of Patent:** **\*\* Oct. 20, 2020**

(54) **SLEEP POD**

(71) Applicant: **NAPCENTRE EUROPE APS,**  
Copenhagen (DK)

(72) Inventor: **Jonathan Gray,** London (GB)

(73) Assignee: **NAPCENTRE EUROPE APS,**  
Copenhagen (DK)

(\*\*) Term: **15 Years**

(21) Appl. No.: **29/676,806**

(22) Filed: **Jan. 15, 2019**

(30) **Foreign Application Priority Data**

Oct. 12, 2018 (EM) ..... 005796950-0001  
Oct. 12, 2018 (EM) ..... 005796950-0002

(51) **LOC (12) Cl.** ..... **06-02**

(52) **U.S. Cl.**  
USPC ..... **D6/392; D6/382; D25/16**

(58) **Field of Classification Search**  
USPC ..... D6/382-384, 392; D25/16, 35  
CPC ..... A47C 17/64; A47C 17/76; A47C 19/207;  
E04H 1/12; E04H 1/14; E04H 1/1277;  
E04H 2001/1283

See application file for complete search history.

(56) **References Cited**

**U.S. PATENT DOCUMENTS**

3,427,768 A \* 2/1969 Fulton ..... E04H 1/12  
52/27.5  
4,550,457 A \* 11/1985 Dukkers ..... A47C 29/003  
5/414

D650,913 S \* 12/2011 Vittori ..... D25/35  
D719,369 S \* 12/2014 Sampietro ..... D6/381  
D726,971 S \* 4/2015 Itzhak-Sigron ..... D30/118  
D744,256 S \* 12/2015 Schoors ..... D25/16  
D787,704 S \* 5/2017 Walter ..... D25/16  
D816,244 S \* 4/2018 Mayer ..... D25/16  
2013/0067834 A1 \* 3/2013 Downey ..... E04H 1/14  
52/173.1  
2018/0320394 A1 \* 11/2018 Reaves ..... E04H 1/14

\* cited by examiner

*Primary Examiner* — Cathron C Brooks

(74) *Attorney, Agent, or Firm* — Donald J. Ranft; Collen

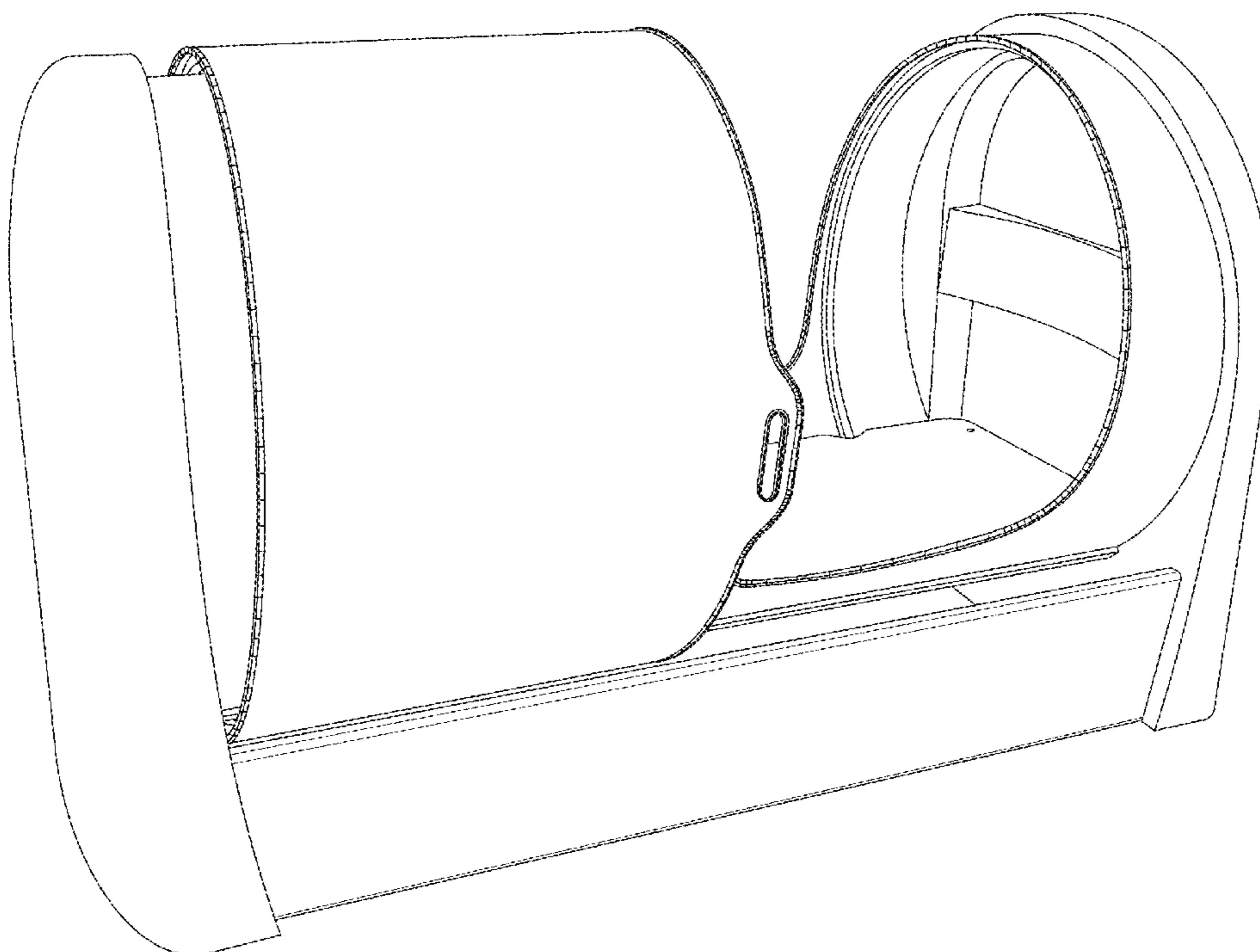
(57) **CLAIM**

The ornamental design for a sleep pod, as shown and described.

**DESCRIPTION**

FIG. 1 is a perspective view of a sleep pod showing my new design;  
FIG. 2 is another perspective view thereof;  
FIG. 3 is a left side view thereof, the right side view being a mirror image;  
FIG. 4 is a top view thereof;  
FIG. 5 is a front view thereof;  
FIG. 6 is a rear view thereof;  
FIG. 7 is a perspective view thereof in an alternate position;  
FIG. 8 is a left side view thereof, the right side view being a mirror image; and,  
FIG. 9 is a top view thereof.

**1 Claim, 8 Drawing Sheets**



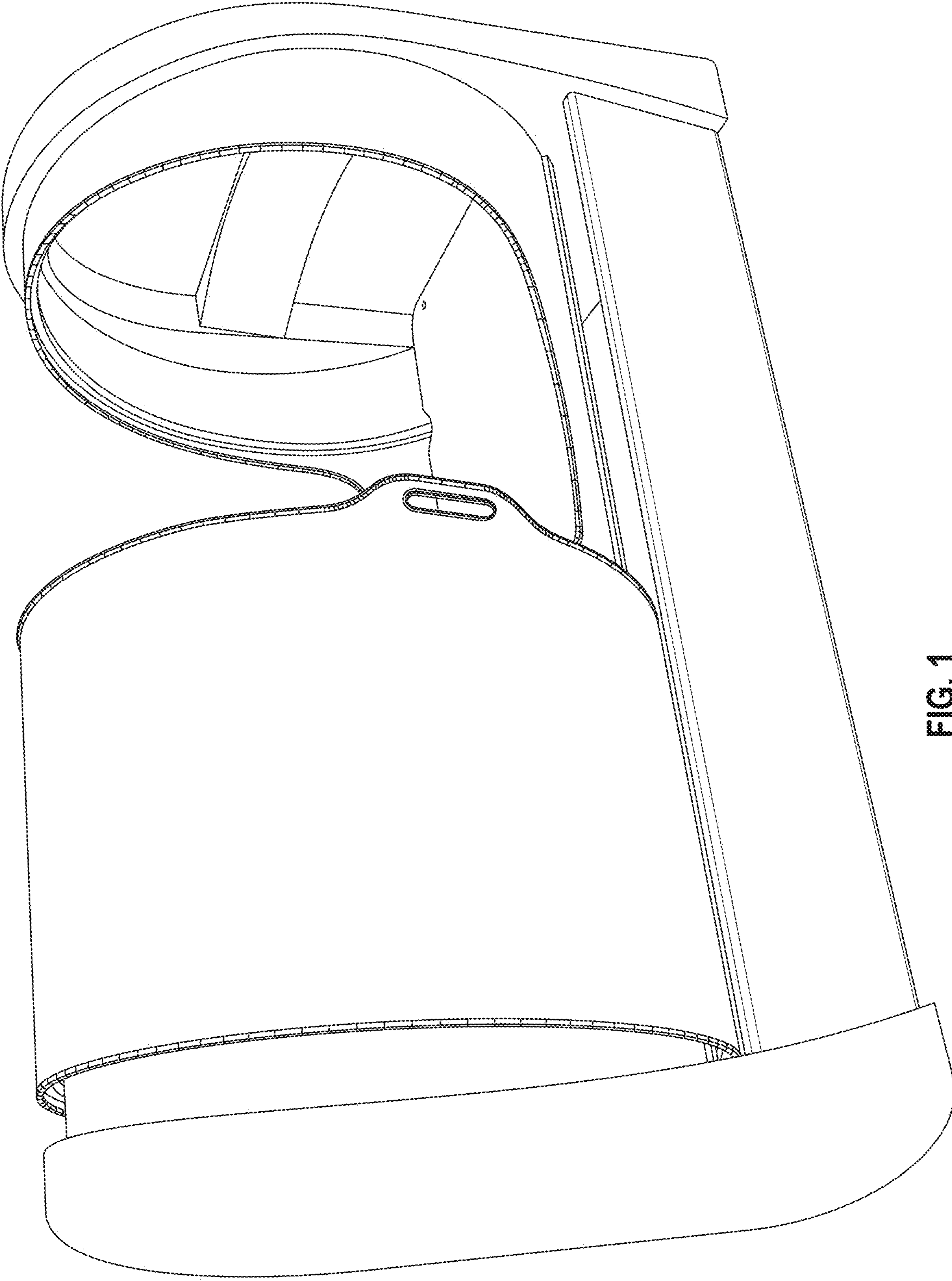


FIG. 1

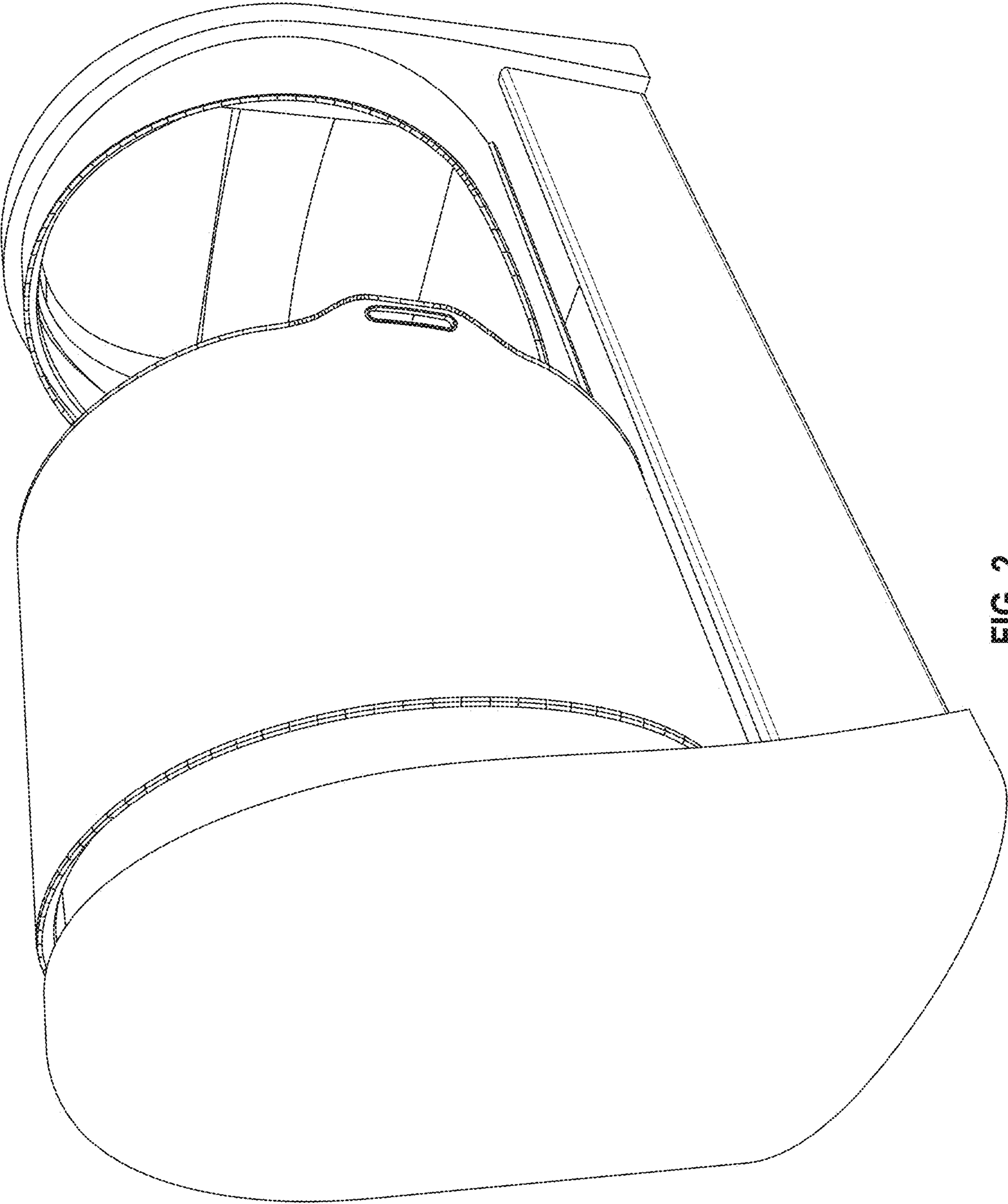


FIG. 2

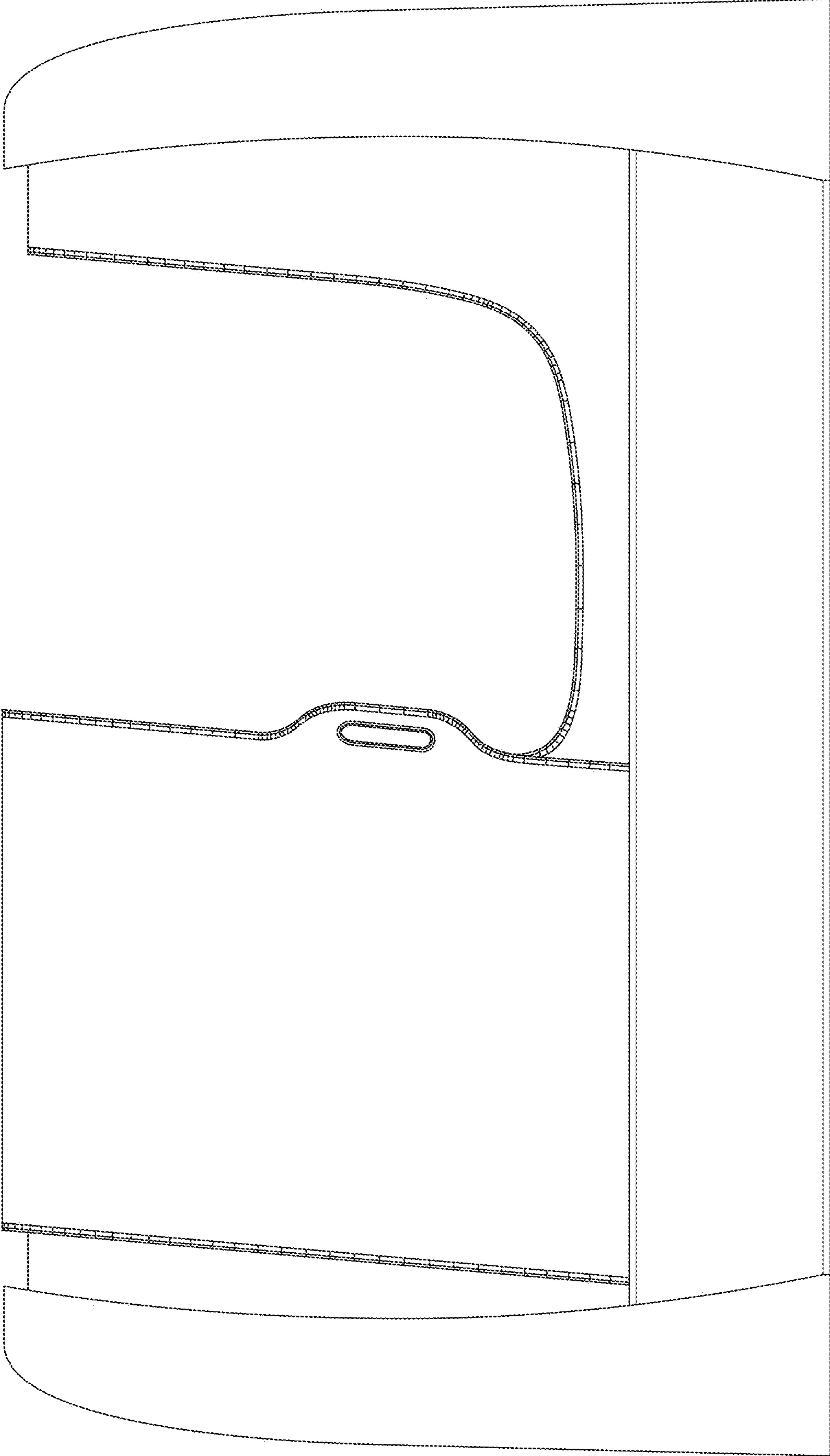


FIG. 3

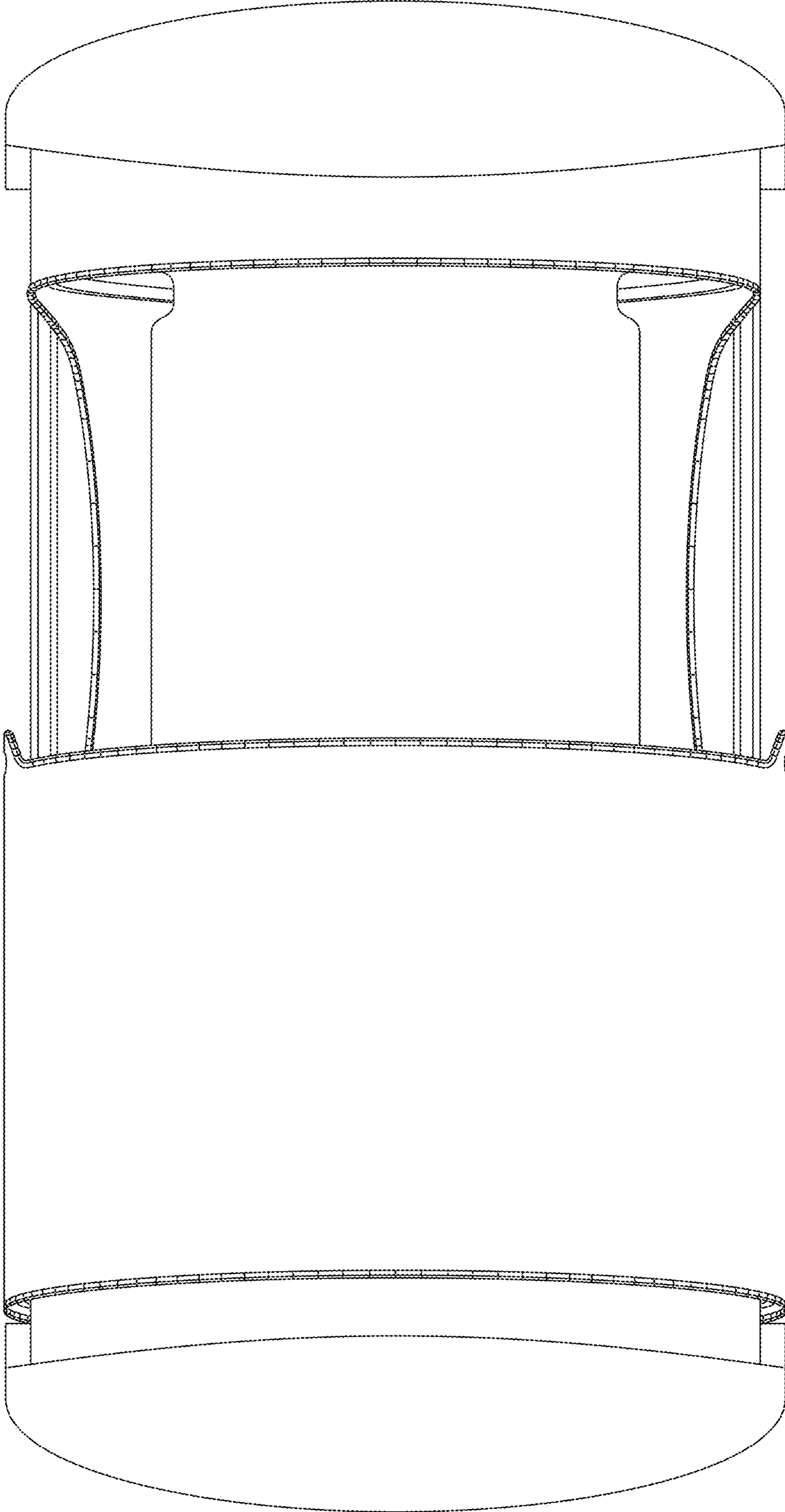


FIG. 4

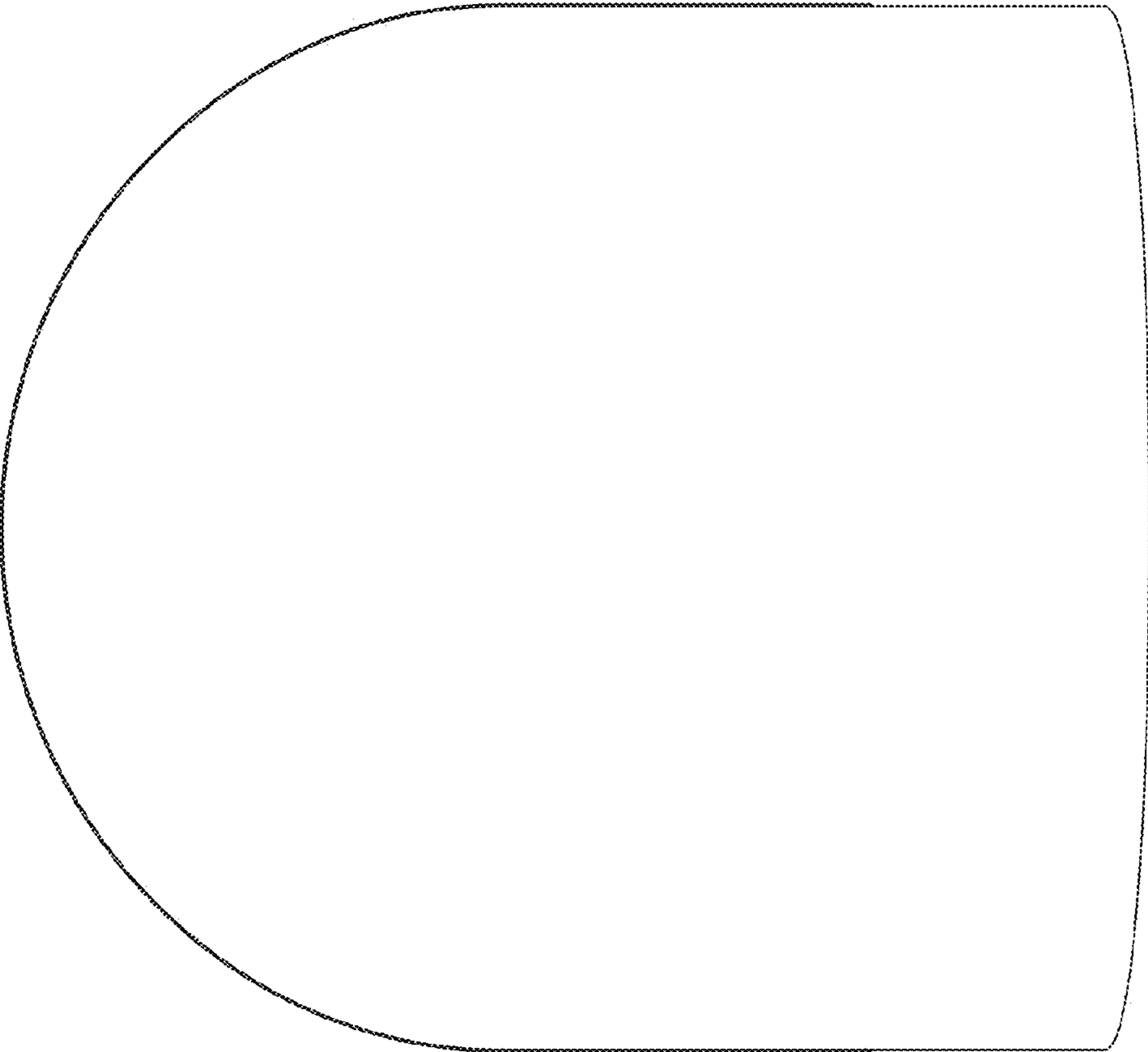


FIG. 5

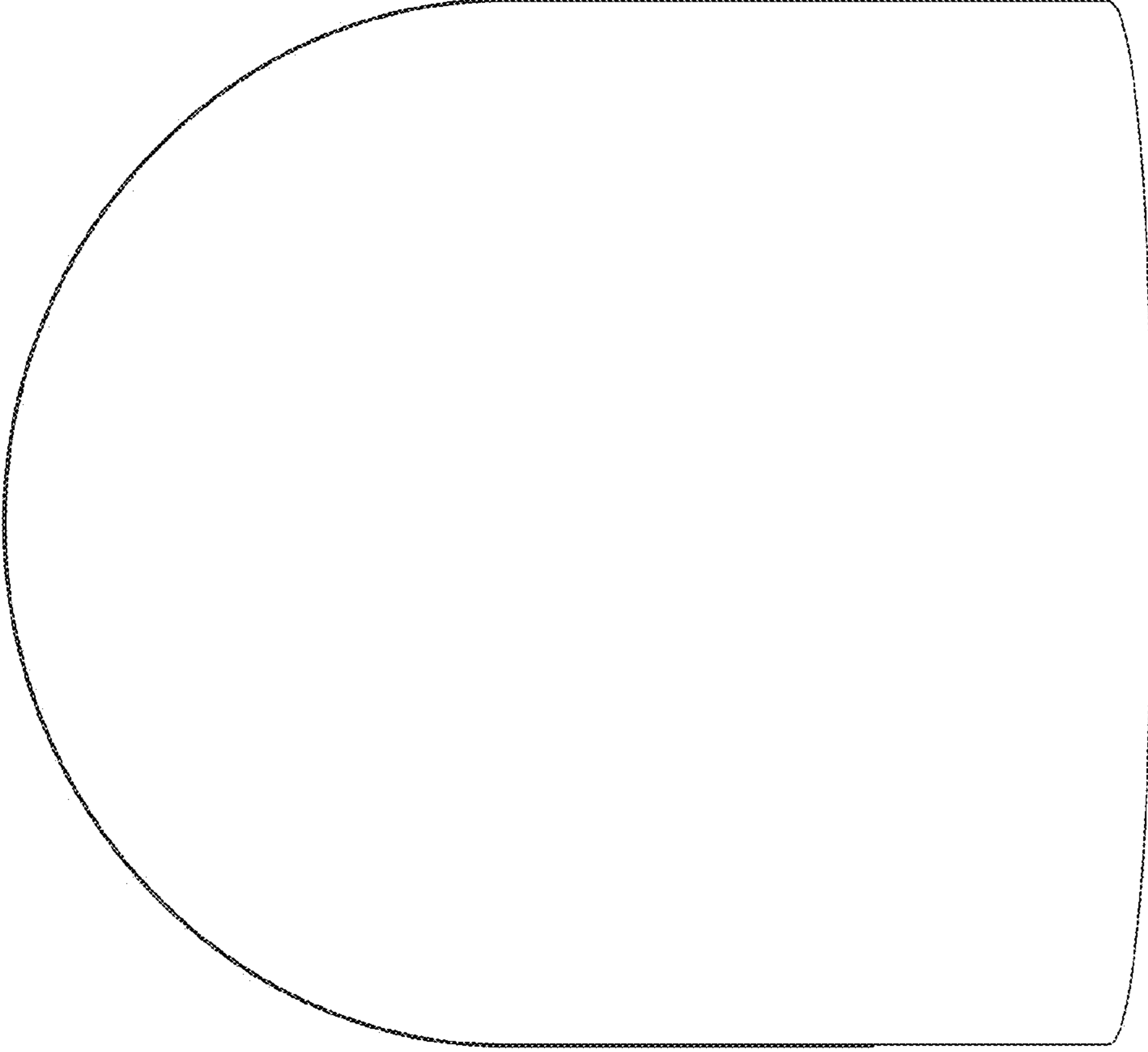


FIG. 6

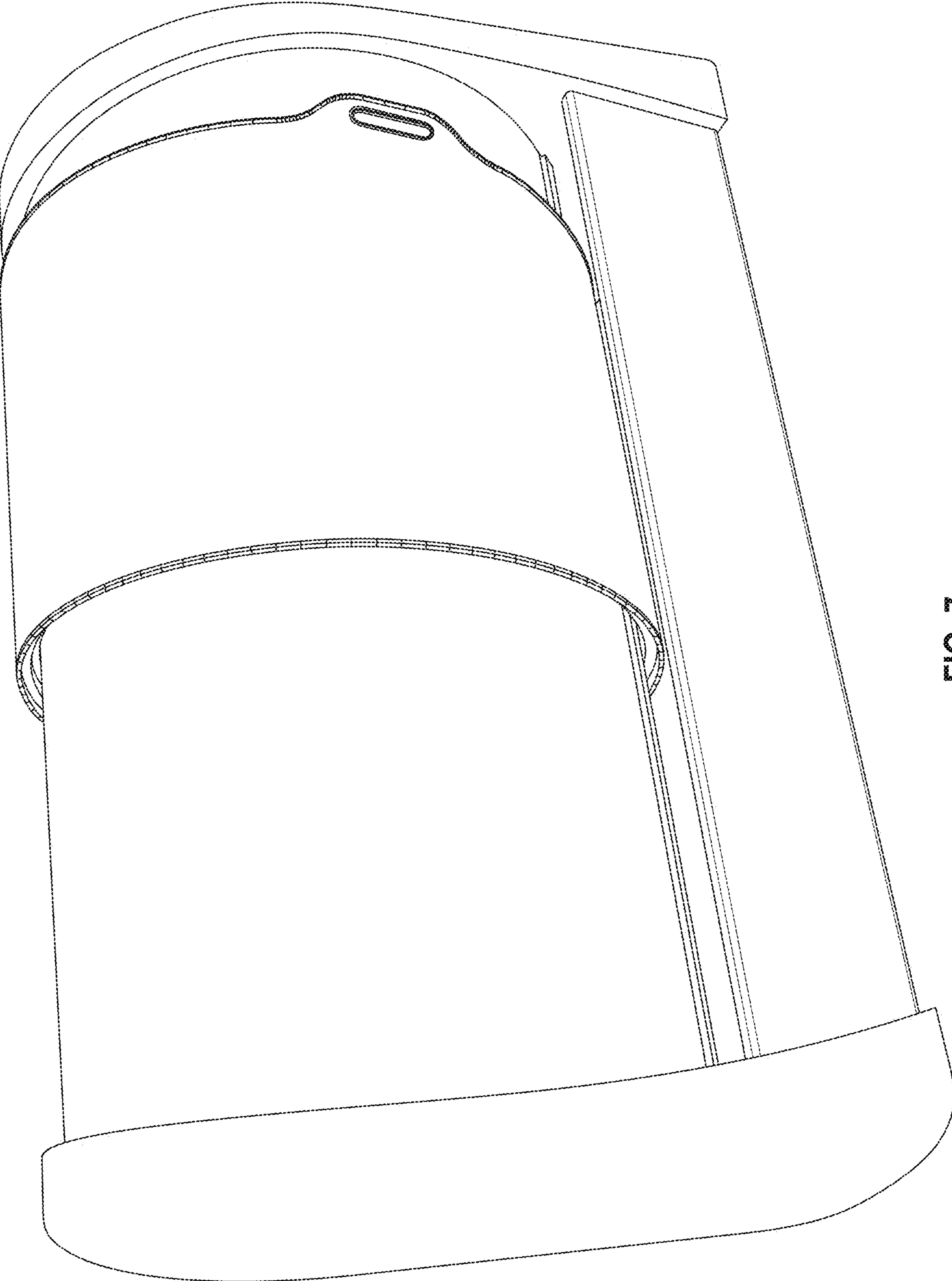


FIG. 7

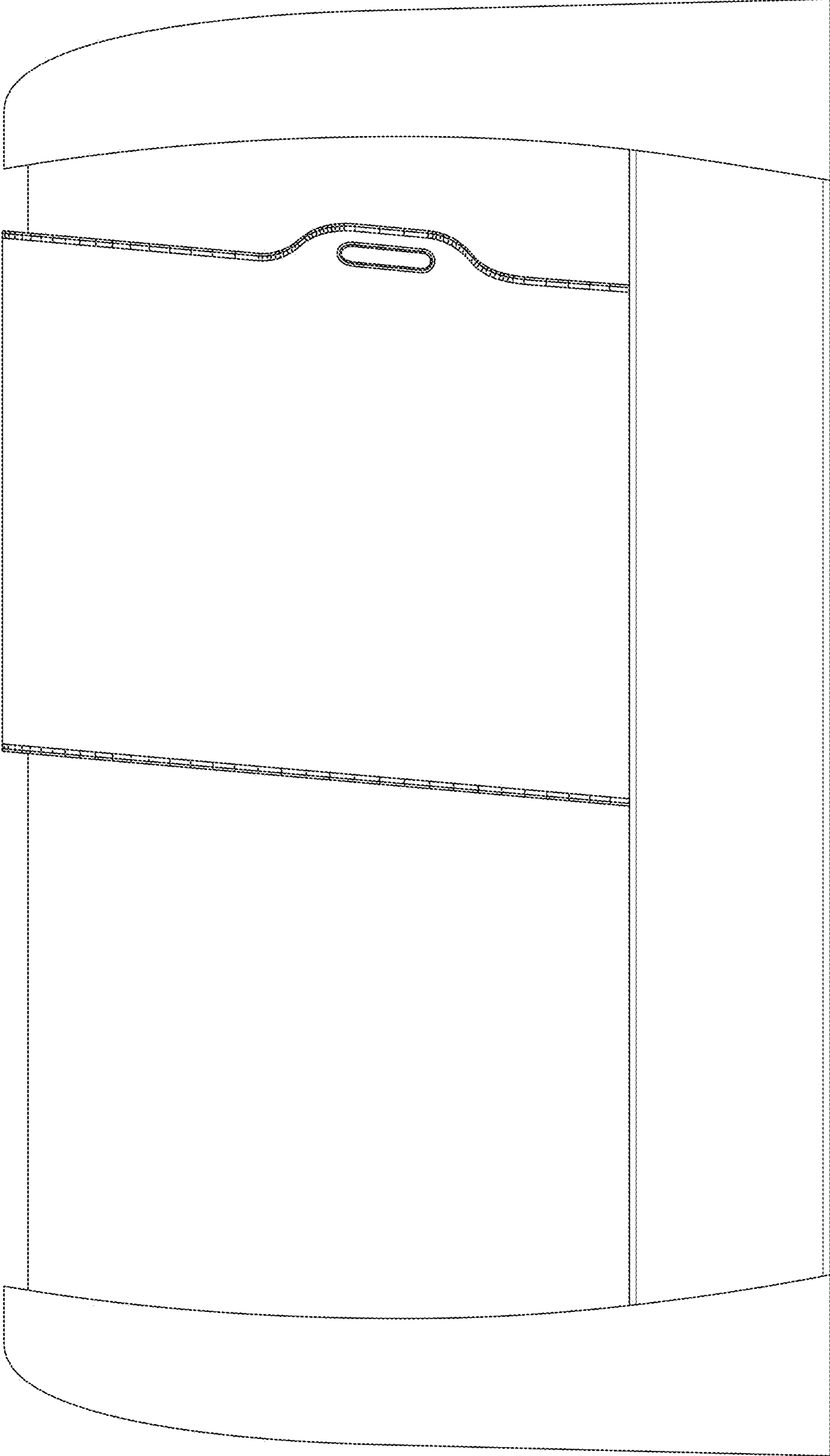


FIG. 8



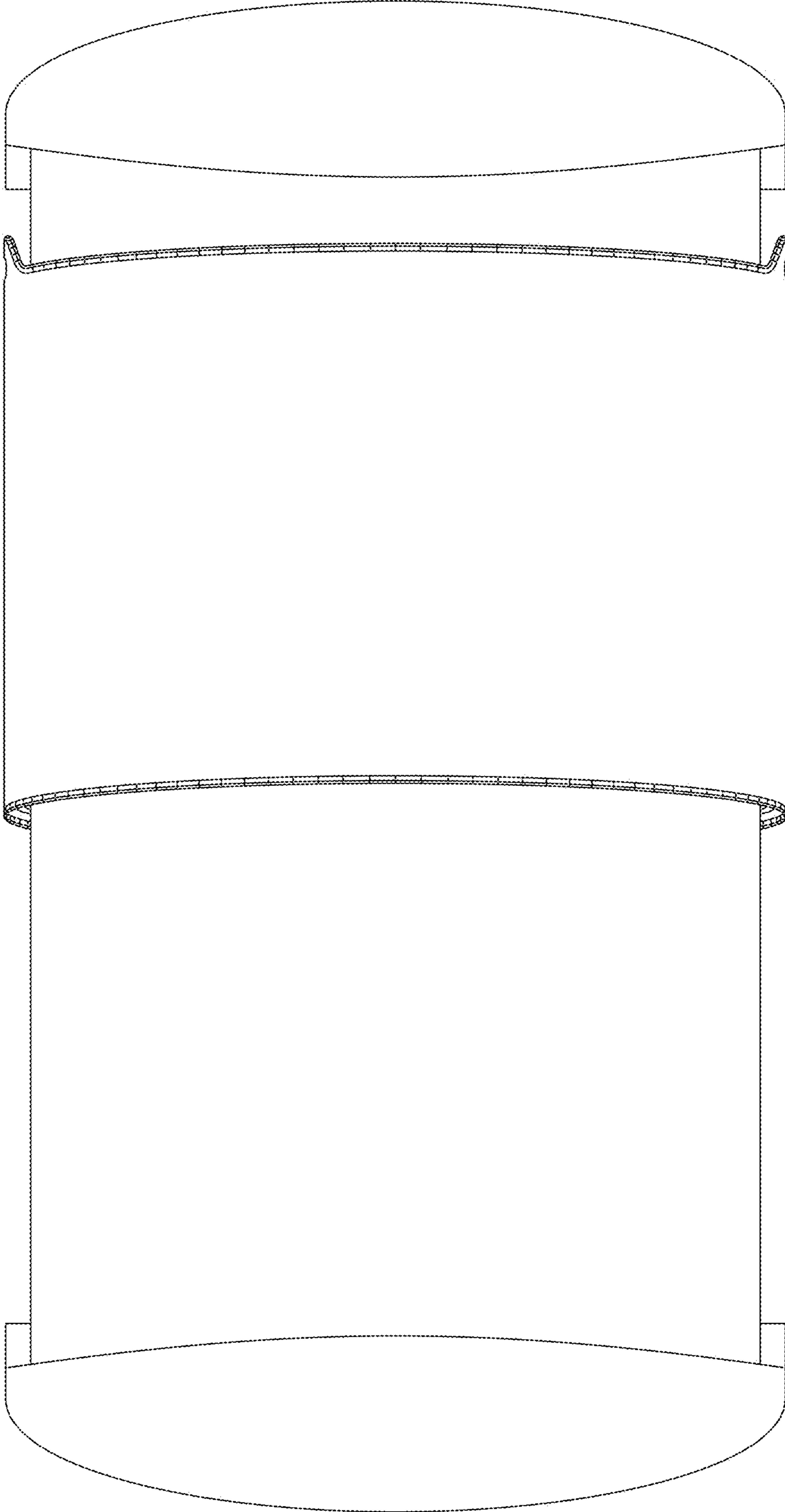


FIG. 9