



US00D899124S

(12) **United States Design Patent** (10) **Patent No.:** **US D899,124 S**  
**Motley et al.** (45) **Date of Patent:** **\*\* Oct. 20, 2020**

(54) **CHAIR BACK**  
(71) Applicant: **UnChair, LLC**, Evanston, IL (US)  
(72) Inventors: **Adam Motley**, Evanston, IL (US);  
**Anjorie Jhaveri**, Evanston, IL (US);  
**Charlie Tokowitz**, Chicago, IL (US)  
(73) Assignee: **Unchair, LLC**, Evanston, IL (US)  
(\*\*) Term: **15 Years**  
(21) Appl. No.: **29/694,557**  
(22) Filed: **Jun. 11, 2019**  
(51) **LOC (12) Cl.** ..... **06-01**  
(52) **U.S. Cl.**  
USPC ..... **D6/366**  
(58) **Field of Classification Search**  
USPC ..... D6/334, 344, 348, 364, 366, 369, 370,  
D6/371, 373, 381, 708, 716, 375, 716.3,  
D6/376, 379; D21/521, 695  
CPC ..... A47C 3/029; A47C 3/027; A47C 3/02;  
A47C 3/04; A47C 3/12; A47C 4/03;  
A47C 4/04; A47C 5/12; A47C 7/18;  
A47C 1/0246; A47C 7/44; A47C 1/00;  
A47C 1/024; A47C 3/00; A47C 3/20;  
A47C 4/00; A47C 4/02; A47C 4/021;  
A47C 7/021; A47C 7/004; A47C 7/006;  
A47C 7/40; A47C 7/46; A47C 7/54;  
A47C 7/402; A47C 7/441; A47C 7/443;  
A47C 7/445; A47C 7/467; A47C 7/543;  
A47C 9/002; A47C 31/126; A47D 13/10;  
Y10S 297/01; A63B 26/00; A63B  
2225/62; A63B 2210/50; A63B 26/003;  
A63B 21/1609; A63G 9/10; B60N 2/02  
See application file for complete search history.

(56) **References Cited**  
U.S. PATENT DOCUMENTS

D289,708 S \* 5/1987 Rykken ..... D6/335  
D547,959 S \* 8/2007 Adams ..... D6/366

D614,422 S \* 4/2010 Halvorson, Jr. .... D6/716  
D614,424 S \* 4/2010 Halvorson, Jr. .... D6/716  
D630,872 S \* 1/2011 Alvarez ..... D6/716.4  
D648,961 S \* 11/2011 Rashid ..... D6/366  
D696,871 S \* 1/2014 Link ..... D6/366  
D860,703 S \* 9/2019 Walker ..... D6/716.4  
D870,478 S \* 12/2019 Mason ..... D6/366  
D875,454 S \* 2/2020 Walker ..... D6/716.2  
2019/0061656 A1\* 2/2019 Tait ..... B60R 16/03  
2019/0125609 A1\* 5/2019 Mason ..... A61H 1/0255

\* cited by examiner

*Primary Examiner* — Kevin K Rudzinski  
*Assistant Examiner* — Paul D Bohannon  
(74) *Attorney, Agent, or Firm* — K&L Gates LLP

(57) **CLAIM**

The ornamental design for a chair back, as shown and described.

**DESCRIPTION**

FIG. 1 is an isometric view of a first embodiment of a chair back showing my new design;  
FIG. 2 is a front elevation view thereof;  
FIG. 3 is a back elevation view thereof;  
FIG. 4 is a left side elevation view thereof;  
FIG. 5 is a right side elevation view thereof;  
FIG. 6 is a top plan view thereof;  
FIG. 7 is a bottom plan view thereof;  
FIG. 8 is an isometric view of a second embodiment of a chair back;  
FIG. 9 is a front elevation view thereof;  
FIG. 10 is a back elevation view thereof;  
FIG. 11 is a left side elevation view thereof;  
FIG. 12 is a right side elevation view thereof;  
FIG. 13 is a top plan view thereof; and,  
FIG. 14 is a bottom plan view thereof.  
Those portions of the figures that are presented in broken lines merely illustrate the environment of the design and are not part of the claimed design.

**1 Claim, 14 Drawing Sheets**

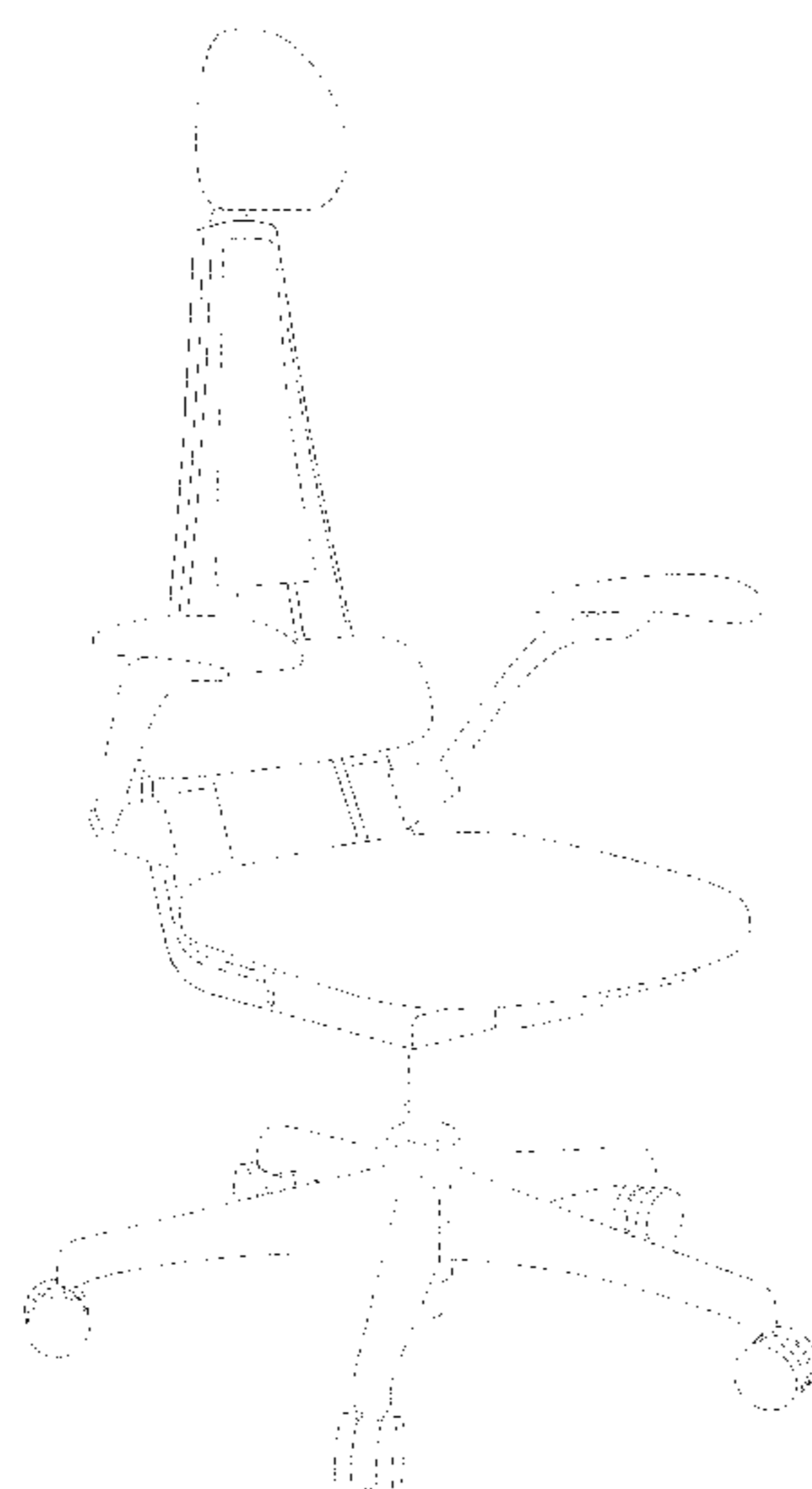




FIG. 1

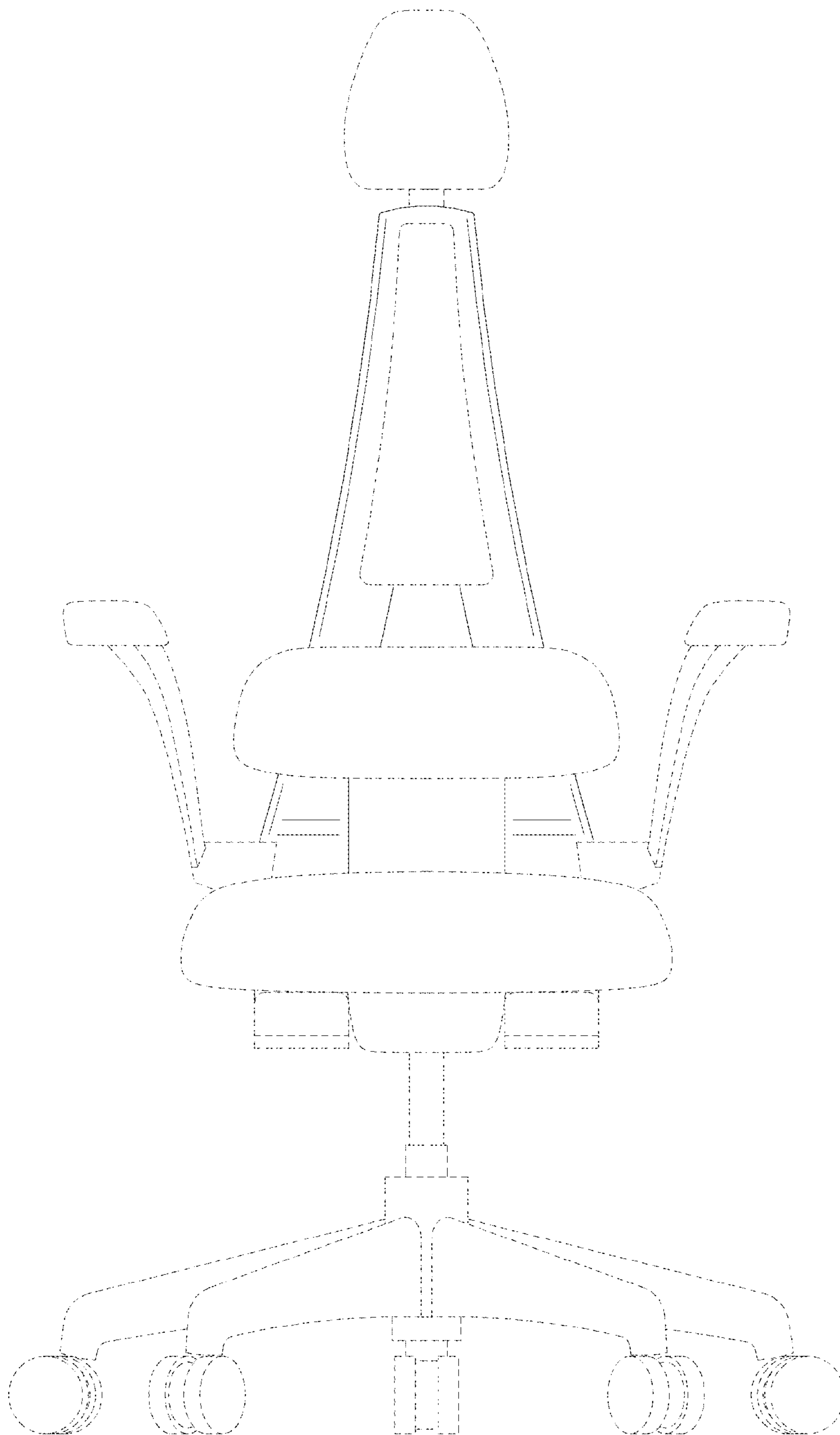


FIG. 2

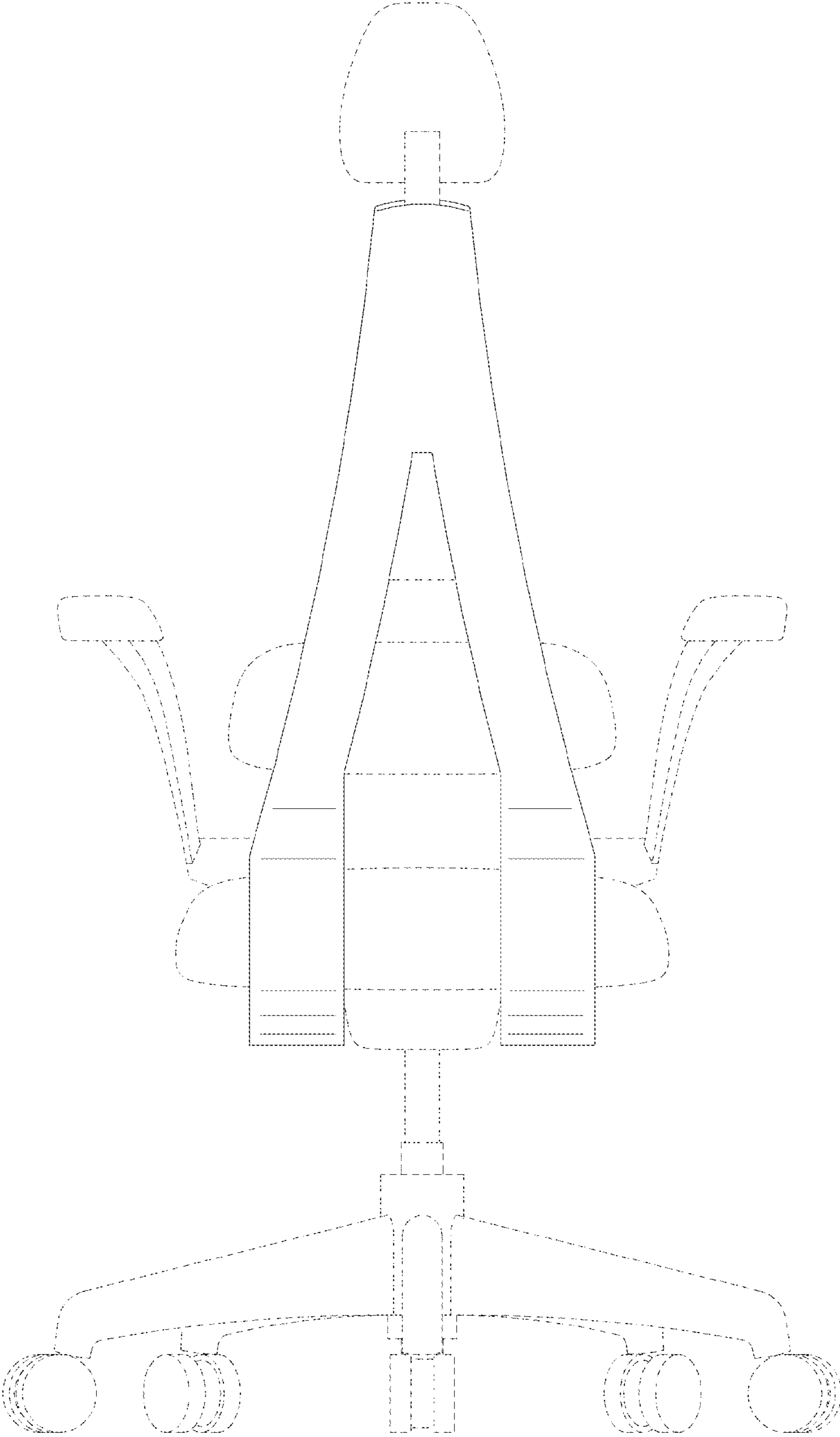


FIG. 3

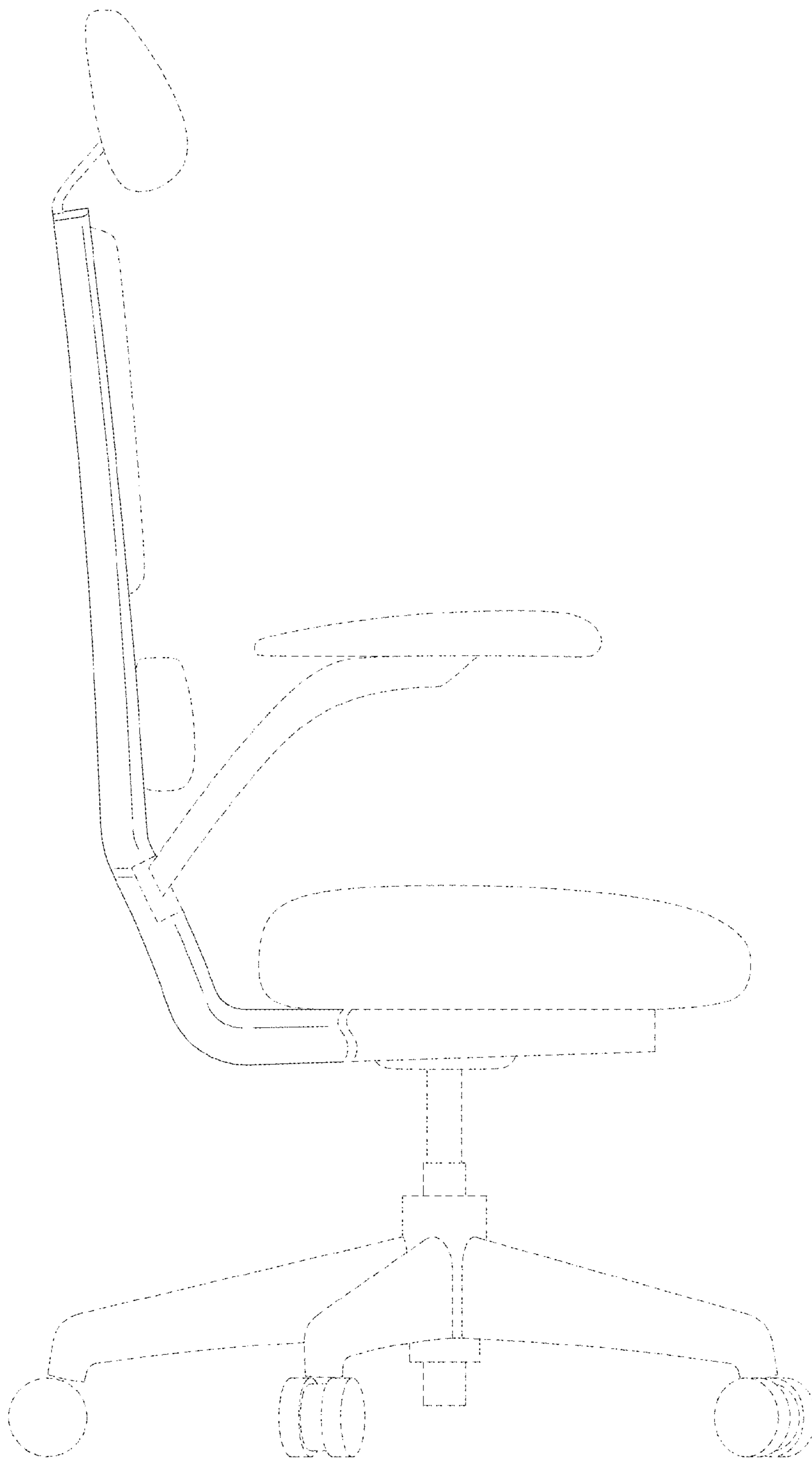


FIG. 4

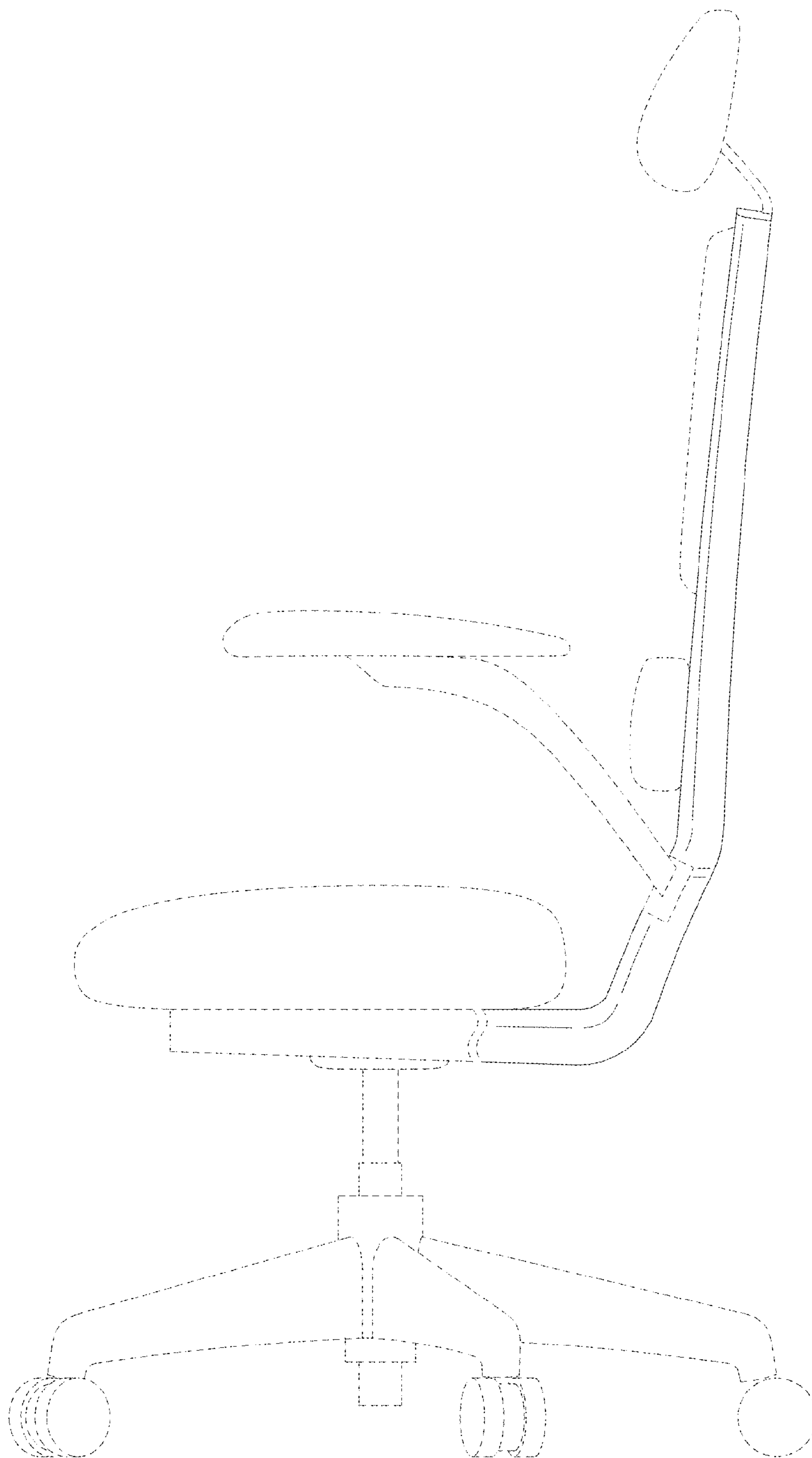


FIG. 5

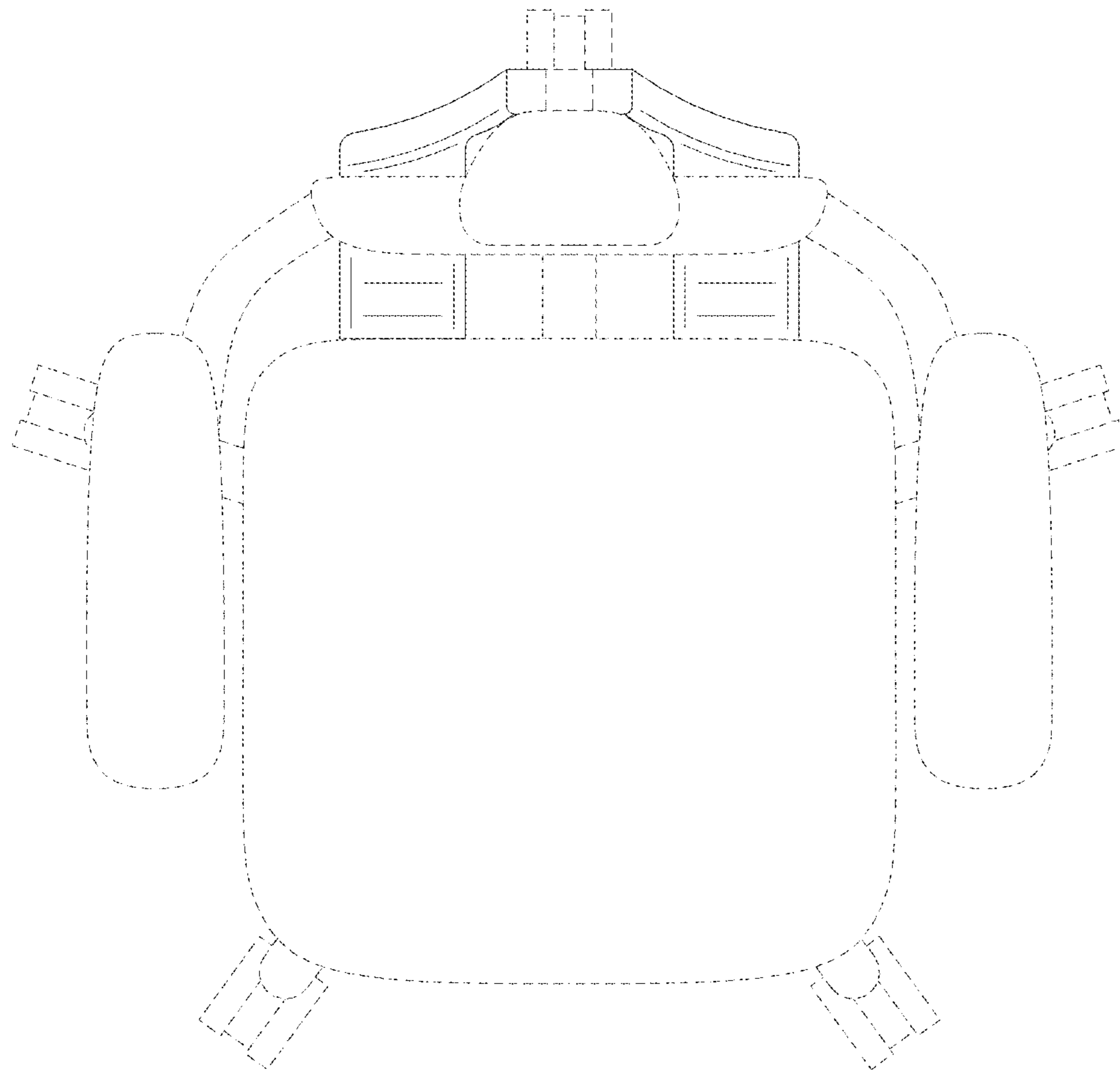


FIG. 6

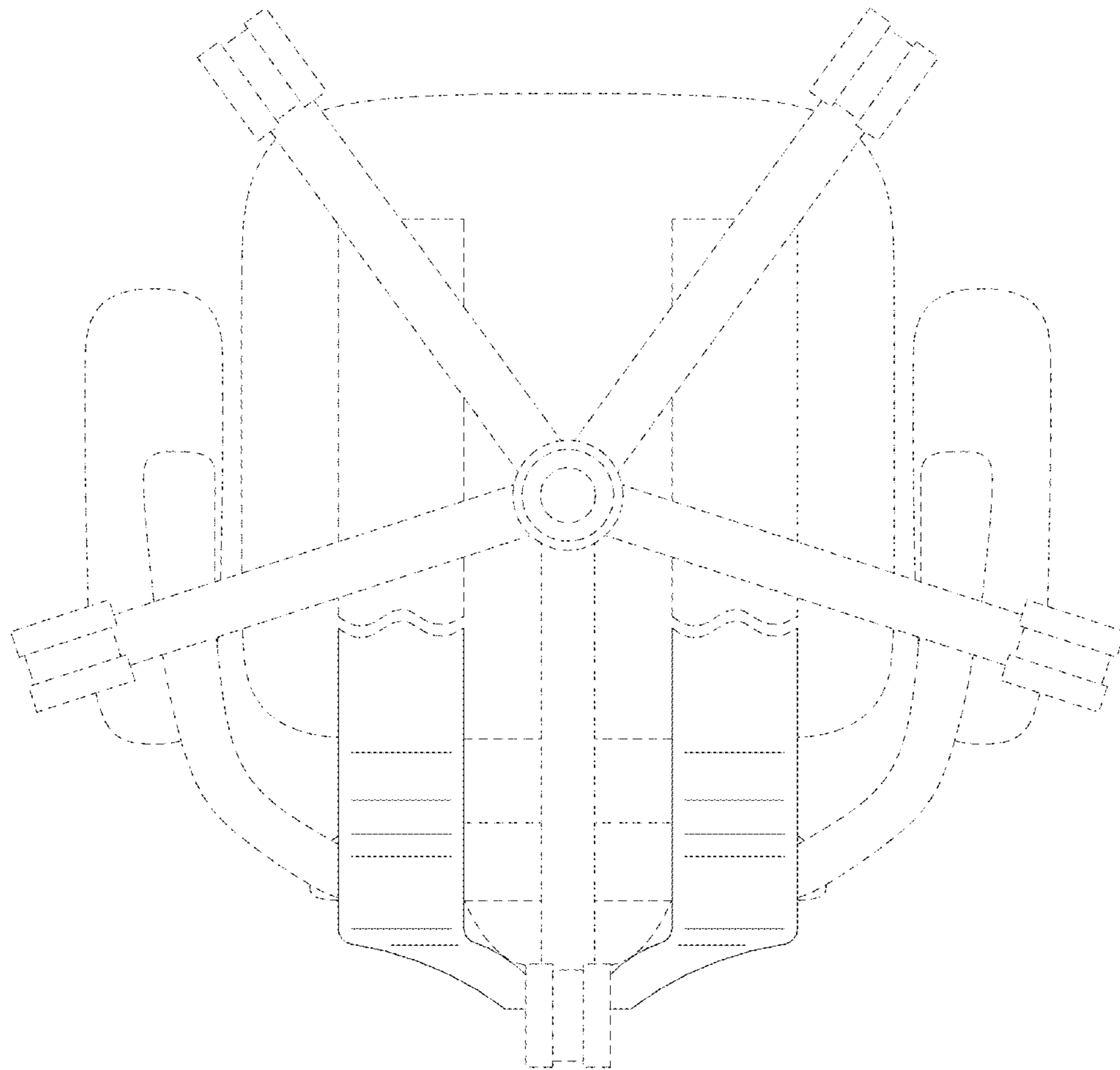


FIG. 7





FIG. 8

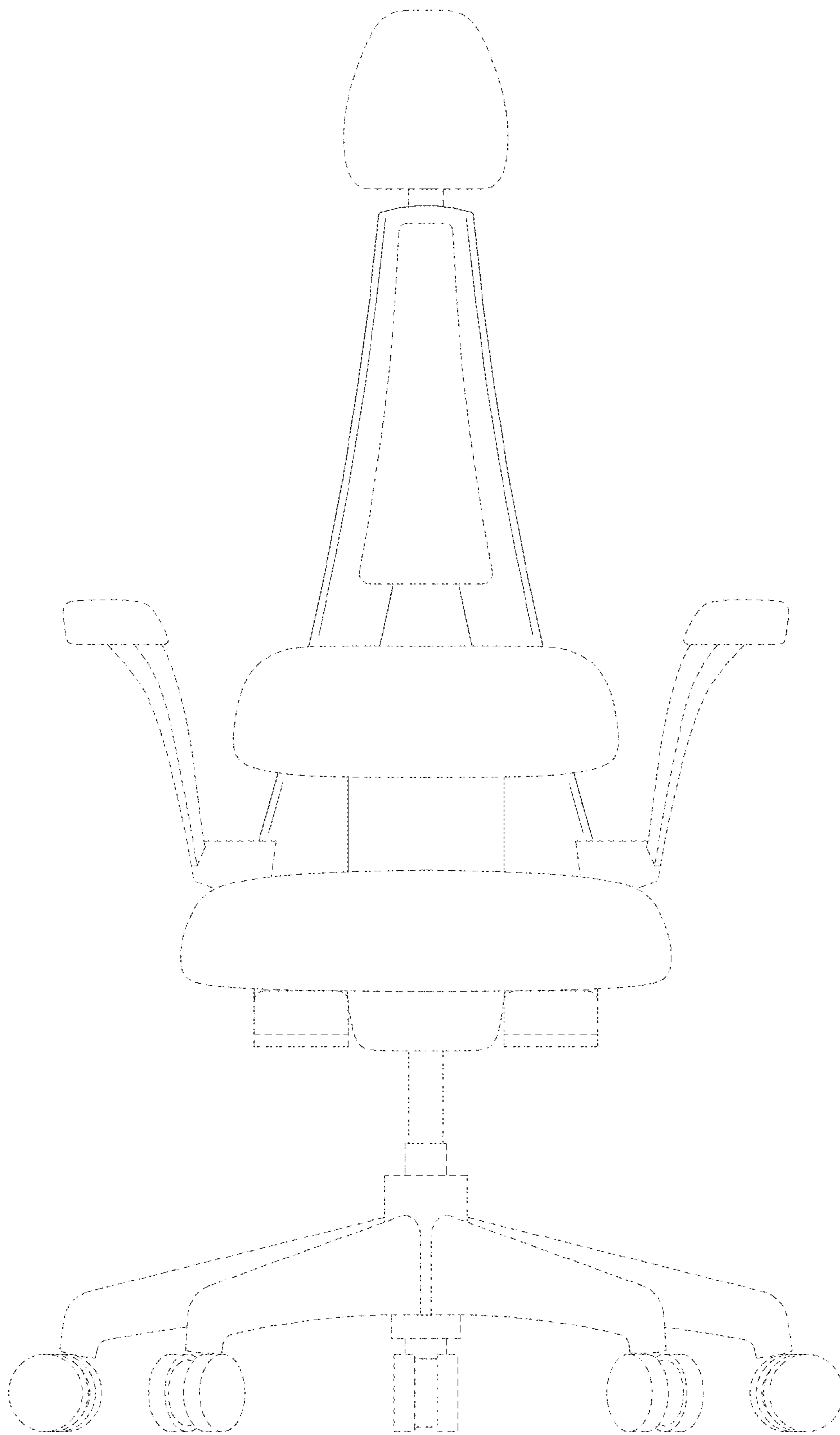


FIG. 9

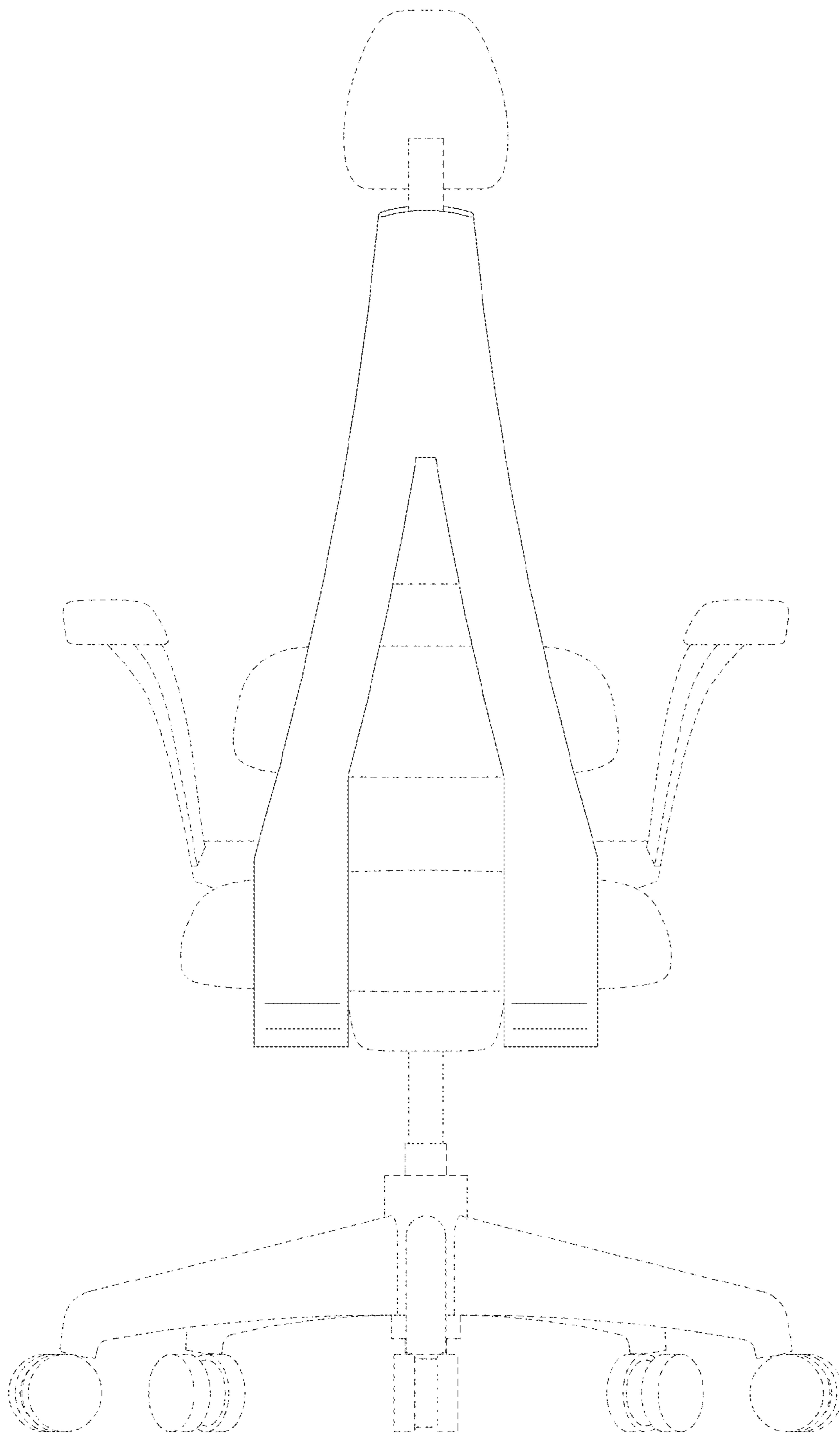


FIG. 10

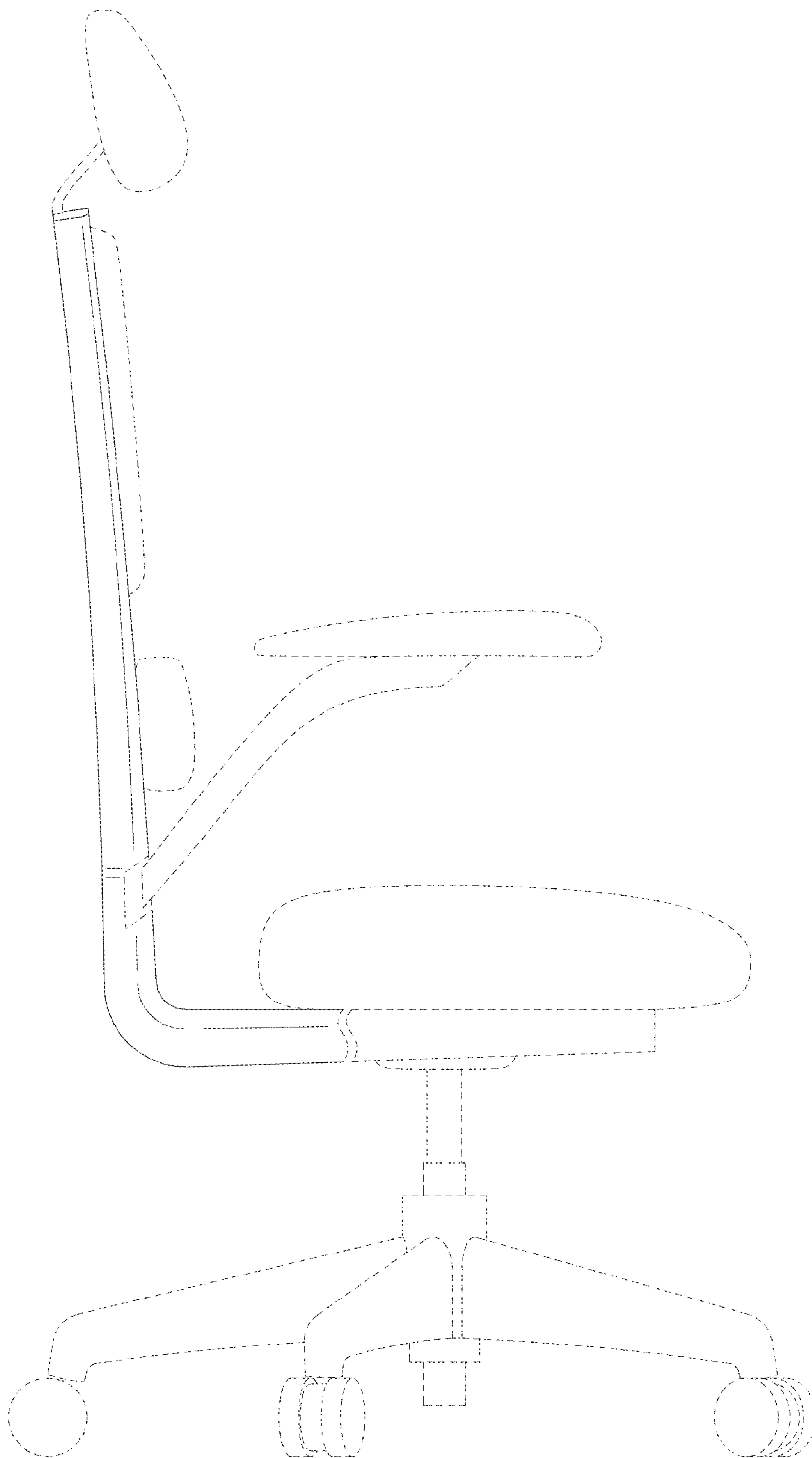


FIG. 11

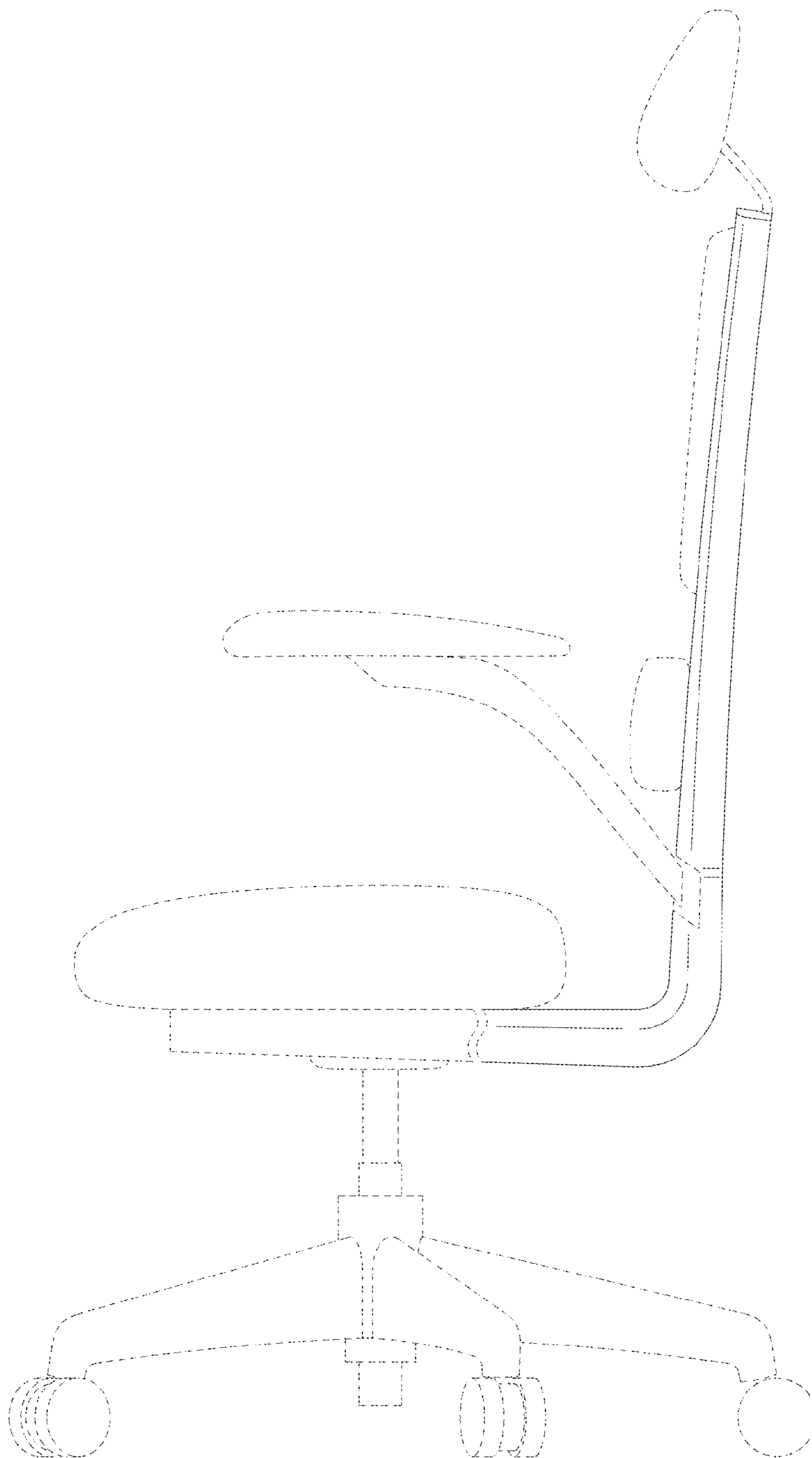


FIG. 12

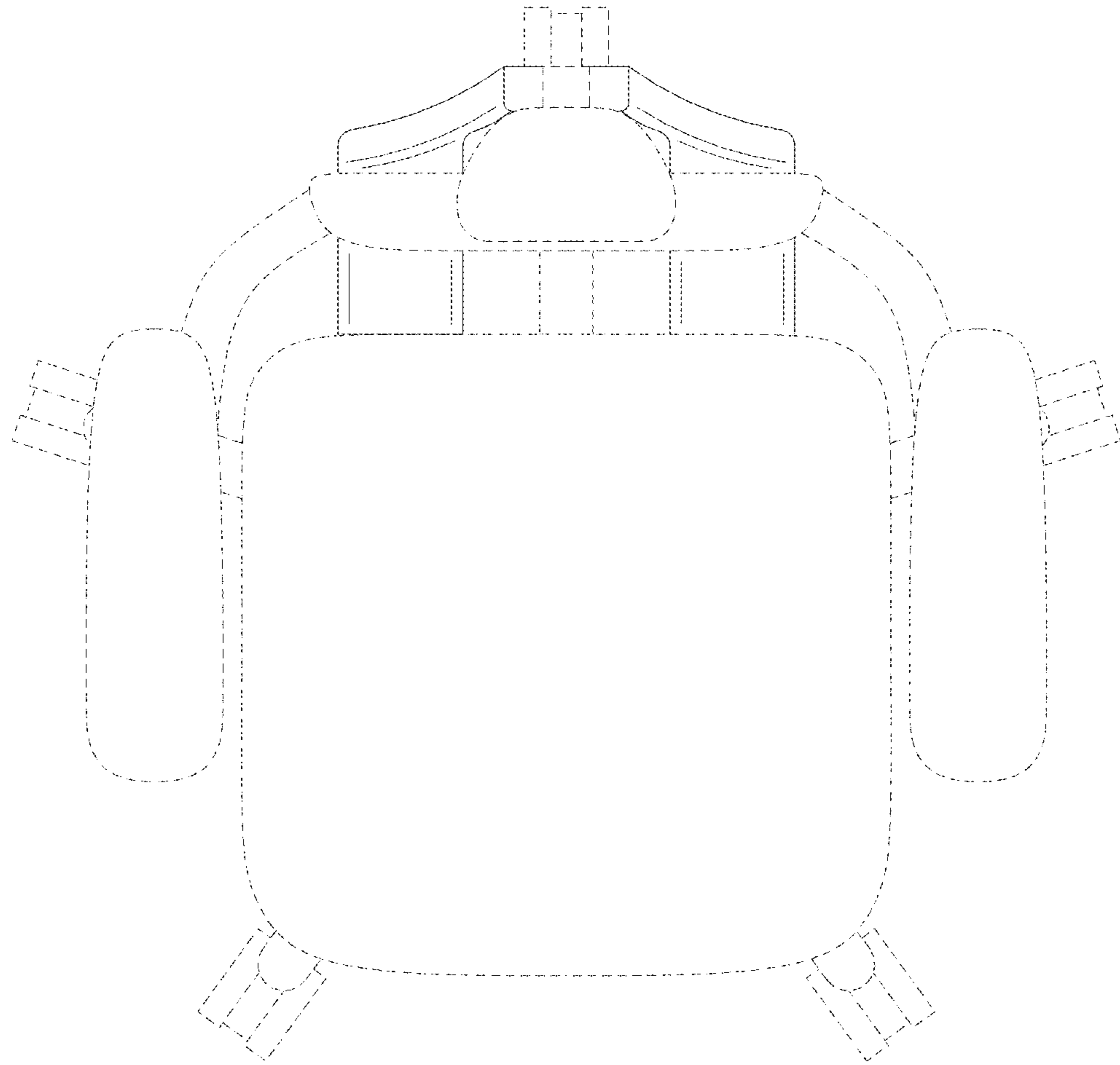


FIG. 13

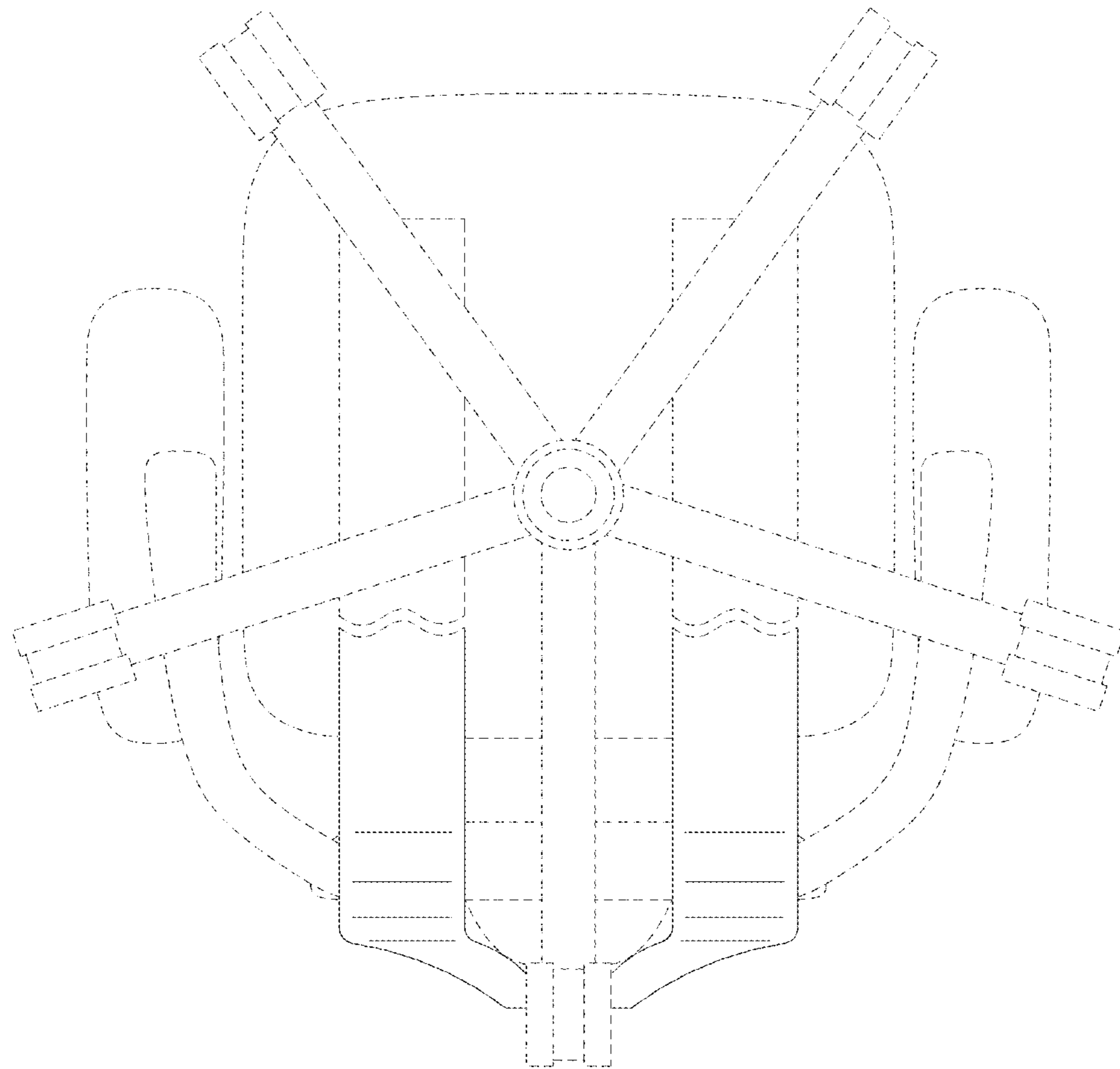


FIG. 14