



US00D899122S

(12) **United States Design Patent**  
**Tabuchi**

(10) **Patent No.:** **US D899,122 S**  
(45) **Date of Patent:** **\*\* Oct. 20, 2020**

(54) **STOOL**

(71) Applicant: **Arrmet S.r.l.**, Manzano (Udine) (IT)

(72) Inventor: **Tomoya Tabuchi**, Tokyo (JP)

(\*\*) Term: **15 Years**

(21) Appl. No.: **29/707,212**

(22) Filed: **Sep. 26, 2019**

(30) **Foreign Application Priority Data**

Apr. 6, 2019 (EM) ..... 006371027-0003

(51) **LOC (12) Cl.** ..... **06-01**

(52) **U.S. Cl.**  
USPC ..... **D6/360**

(58) **Field of Classification Search**

USPC ..... D6/334, 349, 350, 360, 362, 364, 367,  
D6/368, 374, 375, 379, 380, 716.2, 716.7  
CPC .... A47C 1/00; A47C 1/02; A47C 1/03; A47C  
1/037; A47C 3/00; A47C 3/20; A47C  
7/50; A47C 7/54; A47C 4/28; A47C  
9/007; A47C 16/02

See application file for complete search history.

(56) **References Cited**

**U.S. PATENT DOCUMENTS**

D487,983 S \* 4/2004 Muller ..... D6/360  
D705,558 S \* 5/2014 Woodring ..... D6/360

D739,663 S \* 9/2015 Yuglich ..... D6/380  
D740,045 S \* 10/2015 Wilkinson ..... D6/379  
D787,217 S \* 5/2017 Lin ..... D6/376  
D834,845 S \* 12/2018 Starck ..... D6/369  
D844,342 S \* 4/2019 Tran ..... D6/379  
D871,098 S \* 12/2019 Giampietro ..... D6/379  
D873,047 S \* 1/2020 Wilkinson ..... D6/380  
D882,980 S \* 5/2020 Koss ..... D6/374  
D889,863 S \* 7/2020 Carter ..... D6/360  
D893,905 S \* 8/2020 Bellissimo ..... D6/362

\* cited by examiner

*Primary Examiner* — R. Johnson

(74) *Attorney, Agent, or Firm* — Themis Law

(57) **CLAIM**

The ornamental design for a stool, as shown.

**DESCRIPTION**

FIG. 1 is a front perspective view of a stool showing my new design;

FIG. 2 is a front elevational view thereof;

FIG. 3 is a rear elevational view thereof;

FIG. 4 is a left elevational view thereof;

FIG. 5 is the right elevational view thereof;

FIG. 6 is a top plan view thereof; and,

FIG. 7 is a bottom plan view thereof.

**1 Claim, 7 Drawing Sheets**





FIG. 1

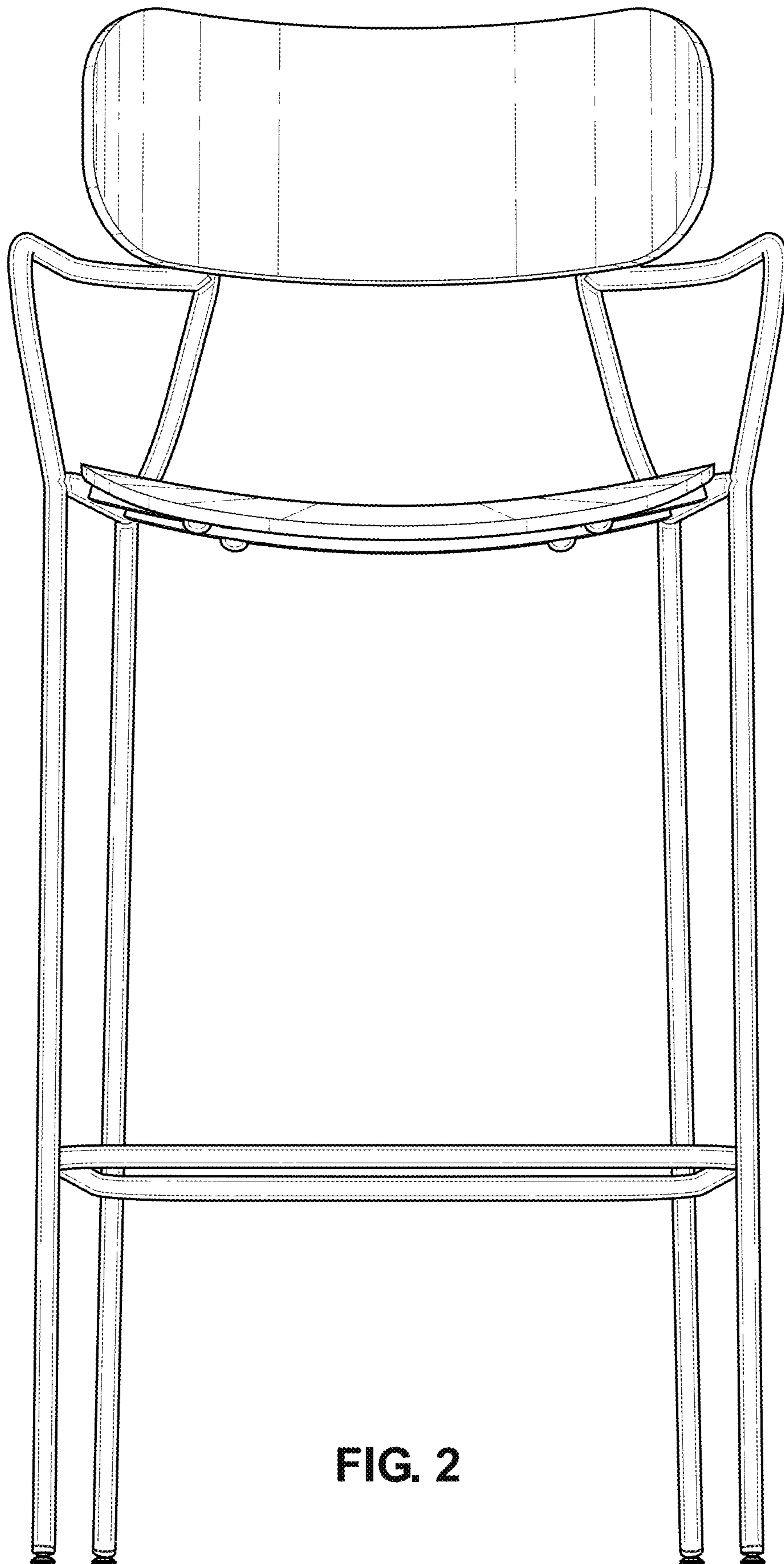


FIG. 2

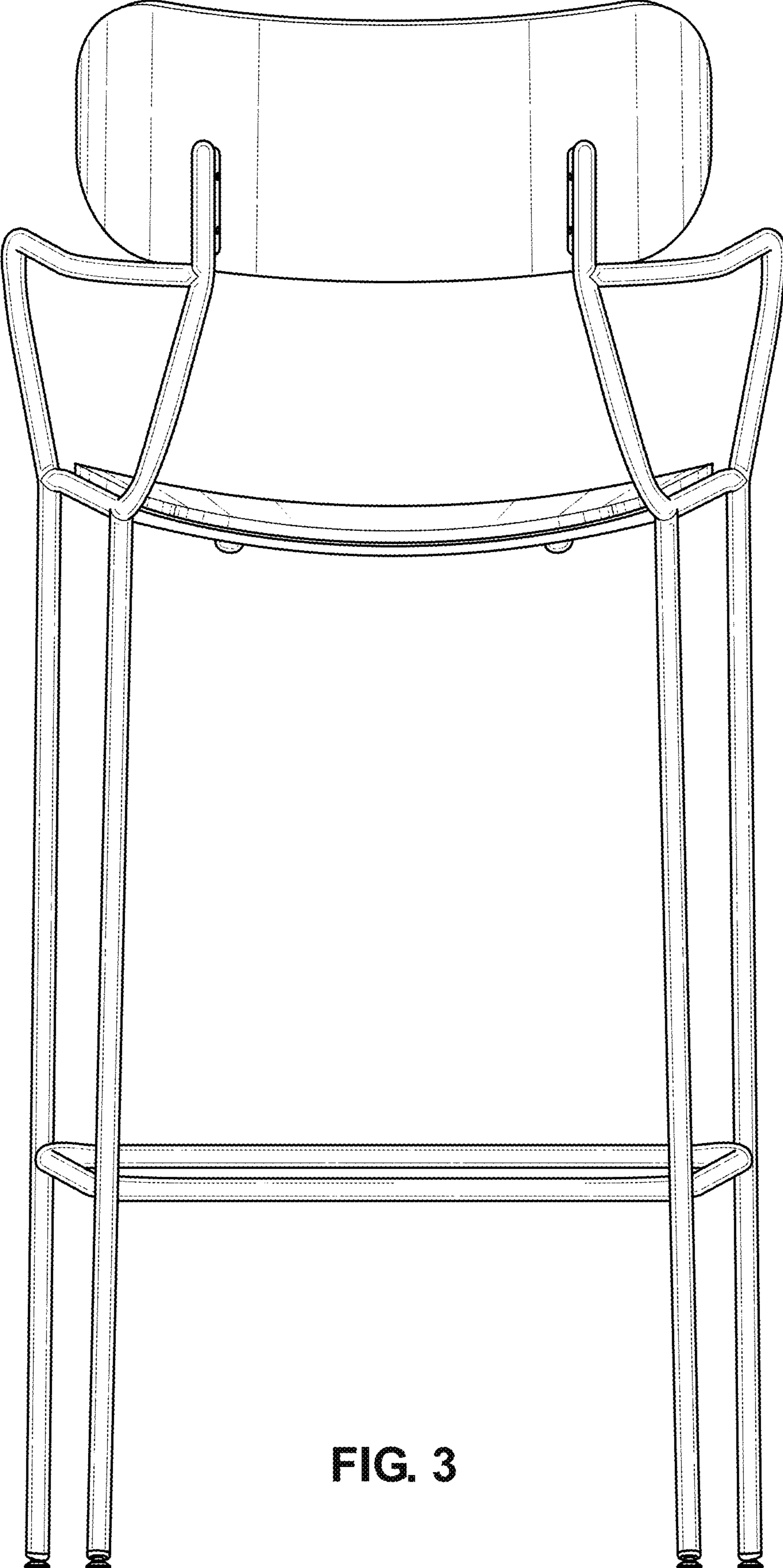


FIG. 3

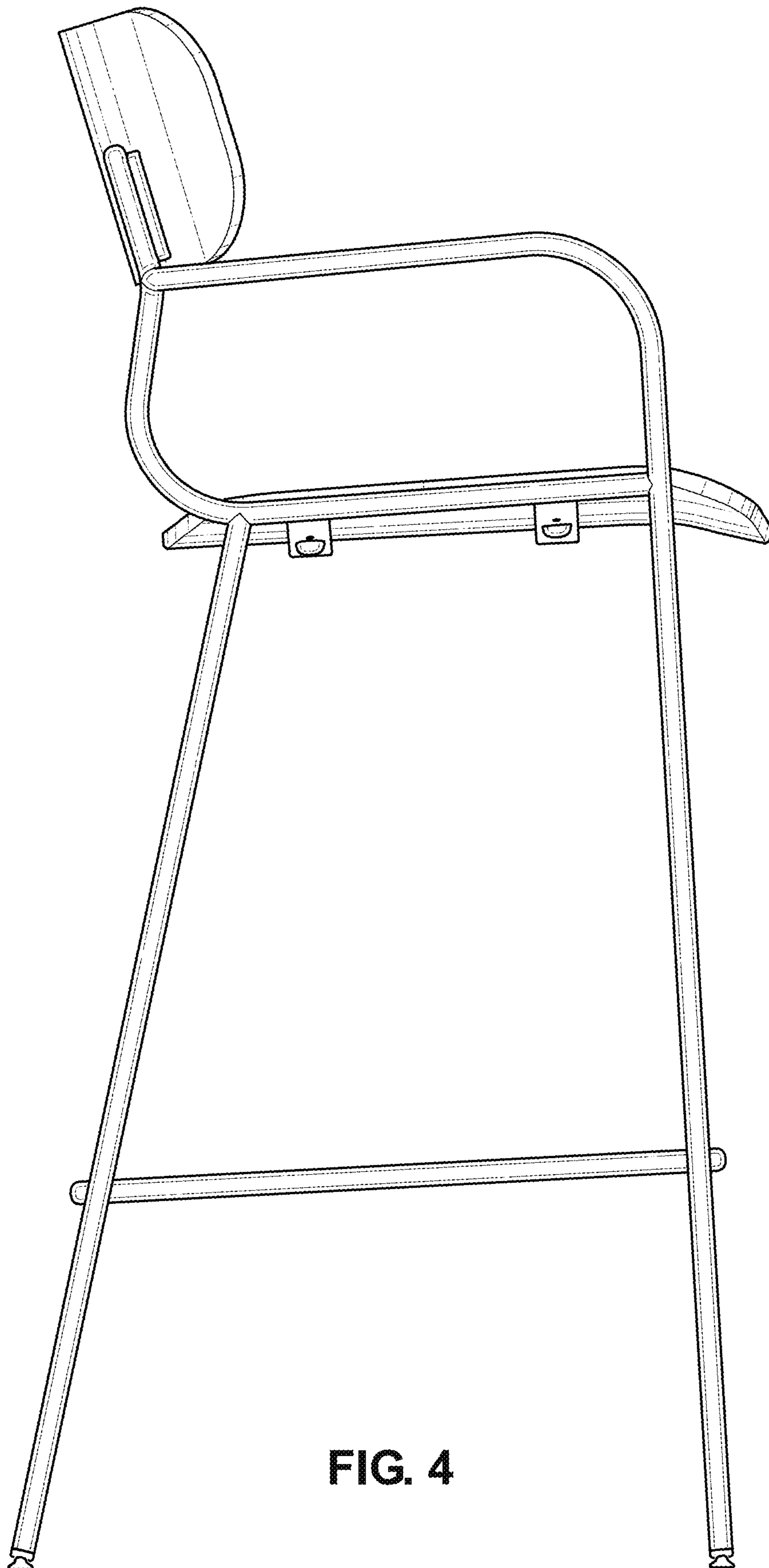


FIG. 4

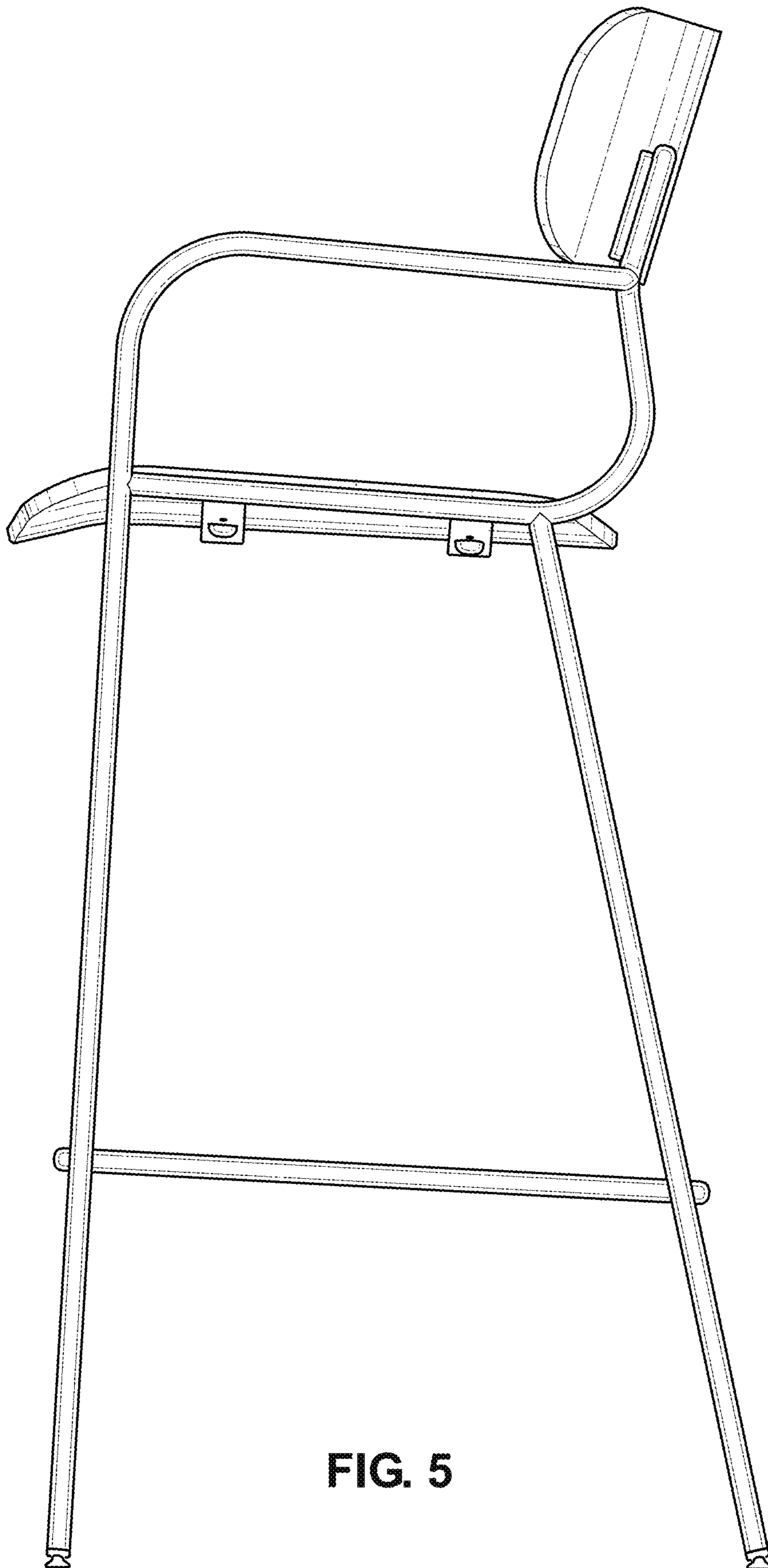


FIG. 5

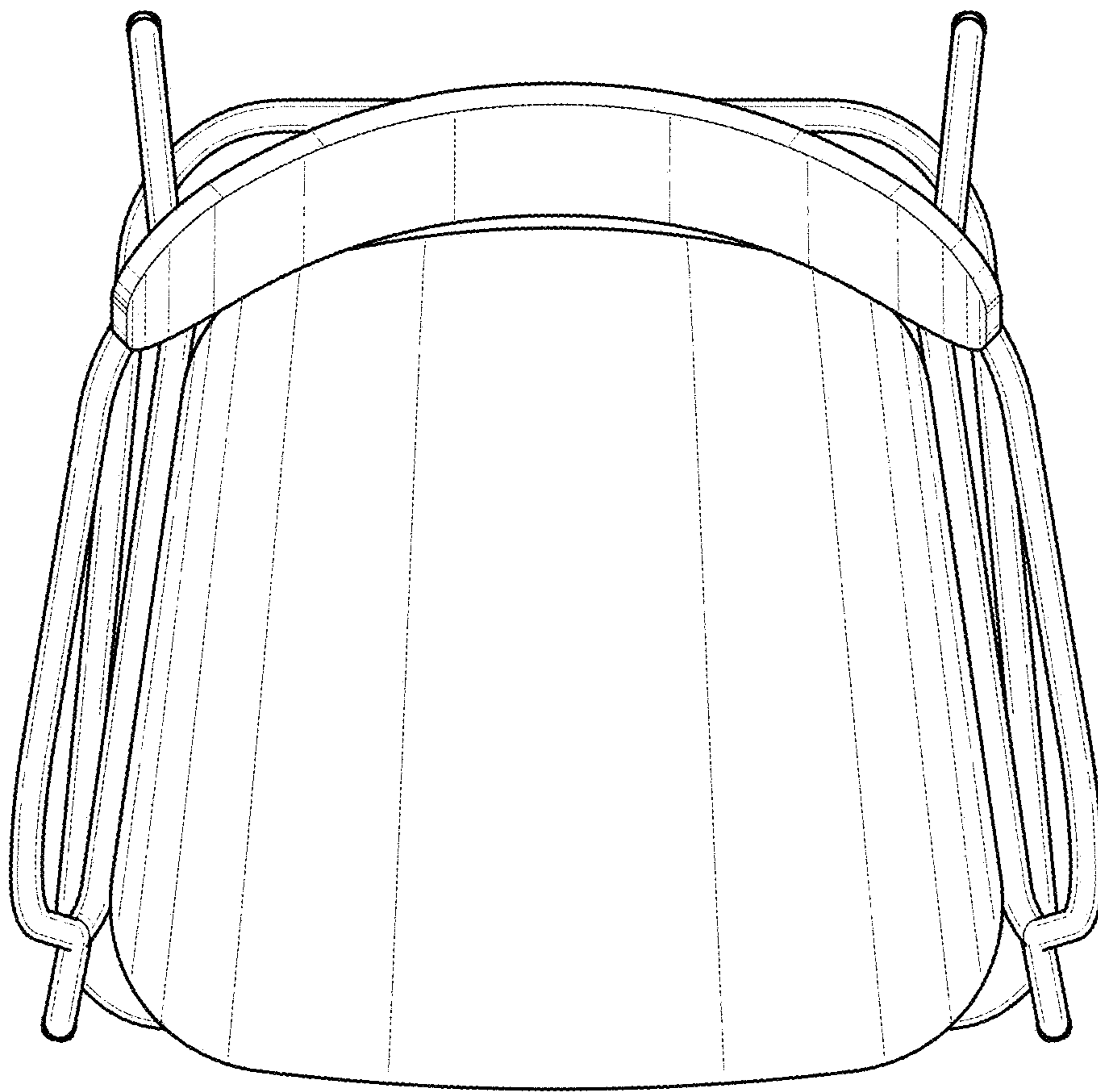


FIG. 6

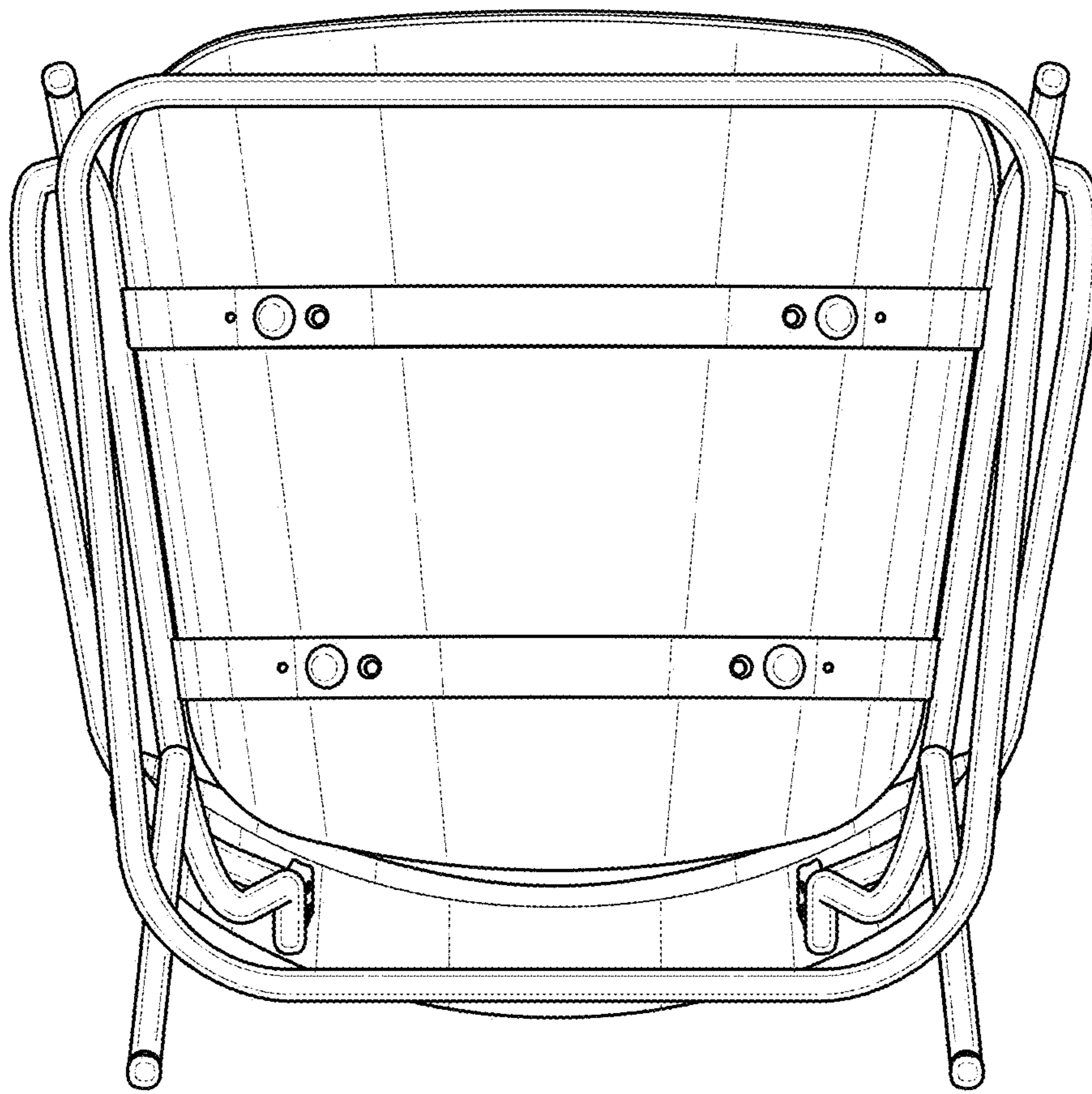


FIG. 7