



US00D899121S

(12) **United States Design Patent**
Yang

(10) **Patent No.:** **US D899,121 S**

(45) **Date of Patent:** **** Oct. 20, 2020**

(54) **BAR STOOL SEAT**

(71) Applicant: **Tao Yang**, Zhejiang (CN)

(72) Inventor: **Tao Yang**, Zhejiang (CN)

(73) Assignee: **Anji Younike Furniture Co., Ltd.**,
Huzhou, Zhejiang (CN)

(**) Term: **15 Years**

(21) Appl. No.: **29/697,151**

(22) Filed: **Jul. 4, 2019**

(51) **LOC (12) Cl.** **06-01**

(52) **U.S. Cl.**
USPC **D6/360**

(58) **Field of Classification Search**
USPC D6/334, 349, 360, 362, 374-377, 379,
D6/381, 716, 716.1, 719.3
CPC .. A47C 1/00; A47C 1/02; A47C 1/024; A47C
1/028; A47C 1/037; A47C 3/00; A47C
3/04; A47C 3/14; A47C 3/20; A47C
7/002; A47C 7/16; A47C 7/18; A47C
4/04; A47C 4/08; A47C 4/18; A47C 4/28;
A47C 4/54; A47C 11/00; A47C 9/007;
A47C 13/00; A47C 15/002; A47C 17/02;
A47C 31/11

See application file for complete search history.

(56) **References Cited**

U.S. PATENT DOCUMENTS

D417,087 S * 11/1999 Pellegrom D6/351
D535,828 S * 1/2007 Gasca Burges D6/349

D592,870 S * 5/2009 Olano Jauregui D6/360
D606,343 S * 12/2009 Muller D6/360
D621,173 S * 8/2010 Li D6/360
D621,631 S * 8/2010 Li D6/360
D639,082 S * 6/2011 Pengelly D6/360
D660,028 S * 5/2012 Rode D6/360
D665,183 S * 8/2012 Welsh D6/360
D741,073 S * 10/2015 Keen D6/349
D800,465 S * 10/2017 Ono D6/360
D800,466 S * 10/2017 Ono D6/360
D814,203 S * 4/2018 Liu D6/360

FOREIGN PATENT DOCUMENTS

WO WO-2011097678 A1 * 8/2011 A47C 7/004

* cited by examiner

Primary Examiner — R. Johnson

(57) **CLAIM**

The ornamental design for a bar stool seat, as shown and described.

DESCRIPTION

FIG. 1 is a perspective view of a bar stool seat showing my new design;
FIG. 2 is a front elevational view thereof;
FIG. 3 is a rear elevational view thereof;
FIG. 4 is a left side elevational view thereof;
FIG. 5 is a right side elevational view thereof;
FIG. 6 is a top plan view thereof; and,
FIG. 7 is a bottom plan view thereof.
The broken lines represent the portions of the bar stool seat that form no part of the claimed design.

1 Claim, 7 Drawing Sheets



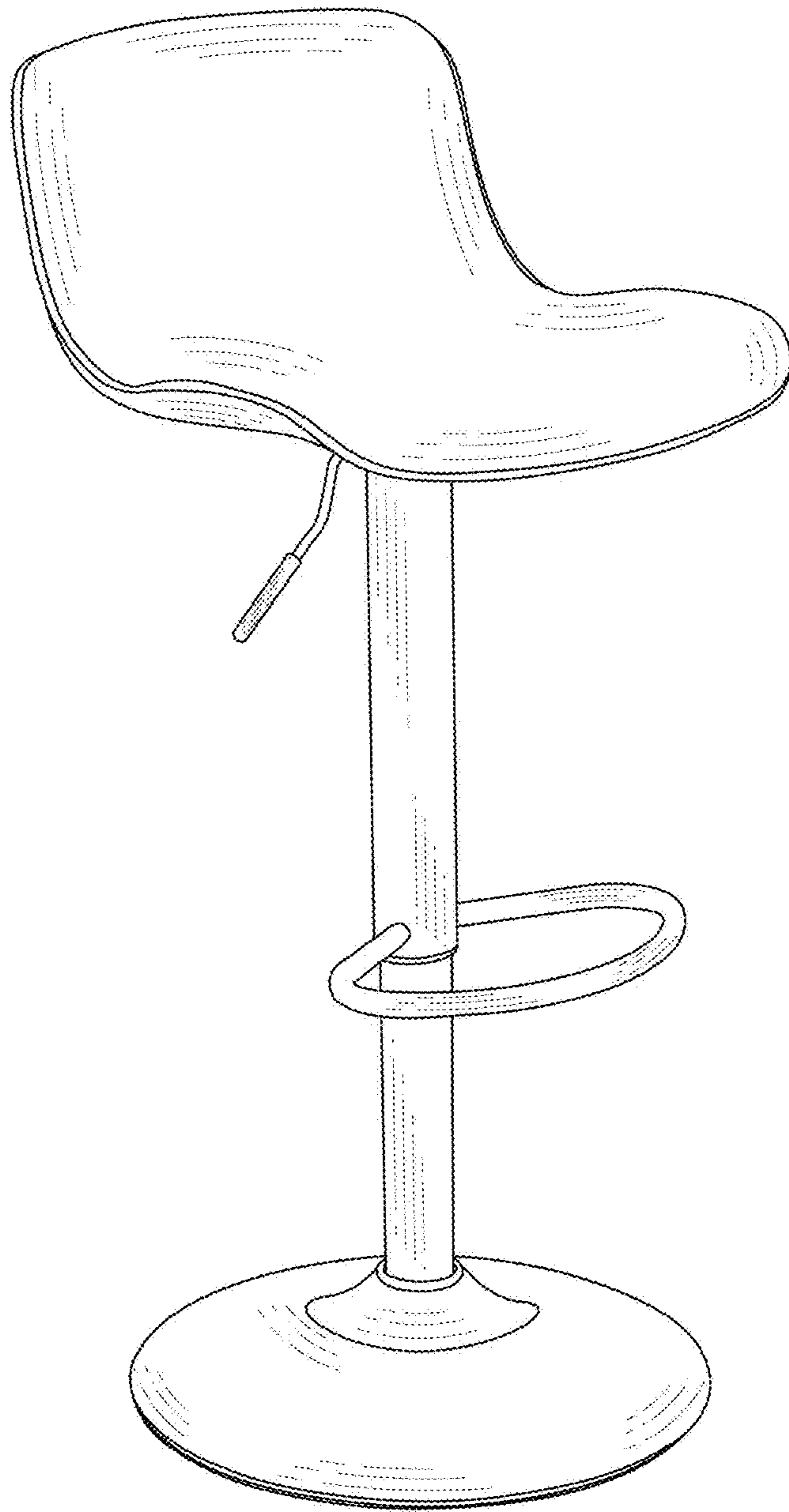


FIG. 1

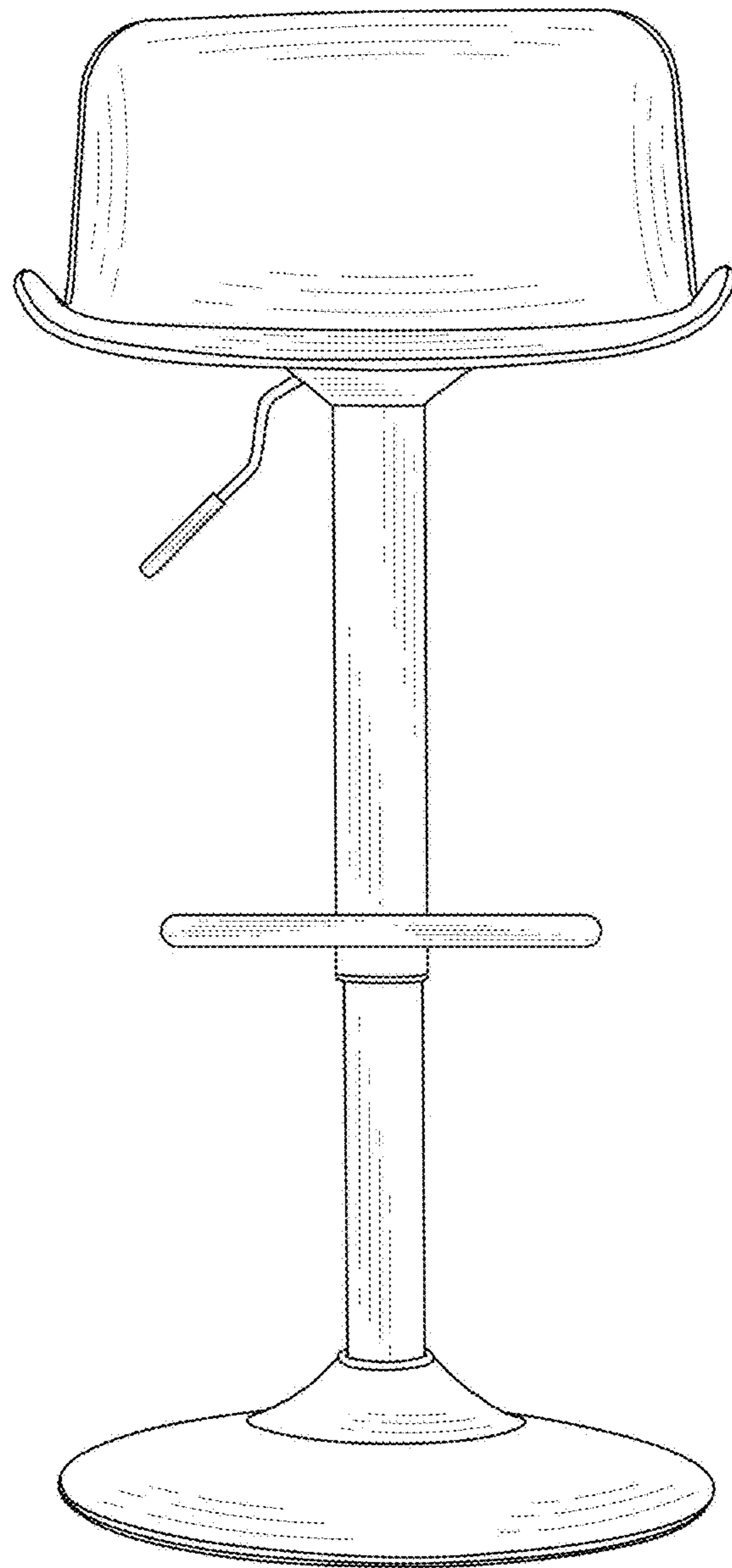


FIG. 2

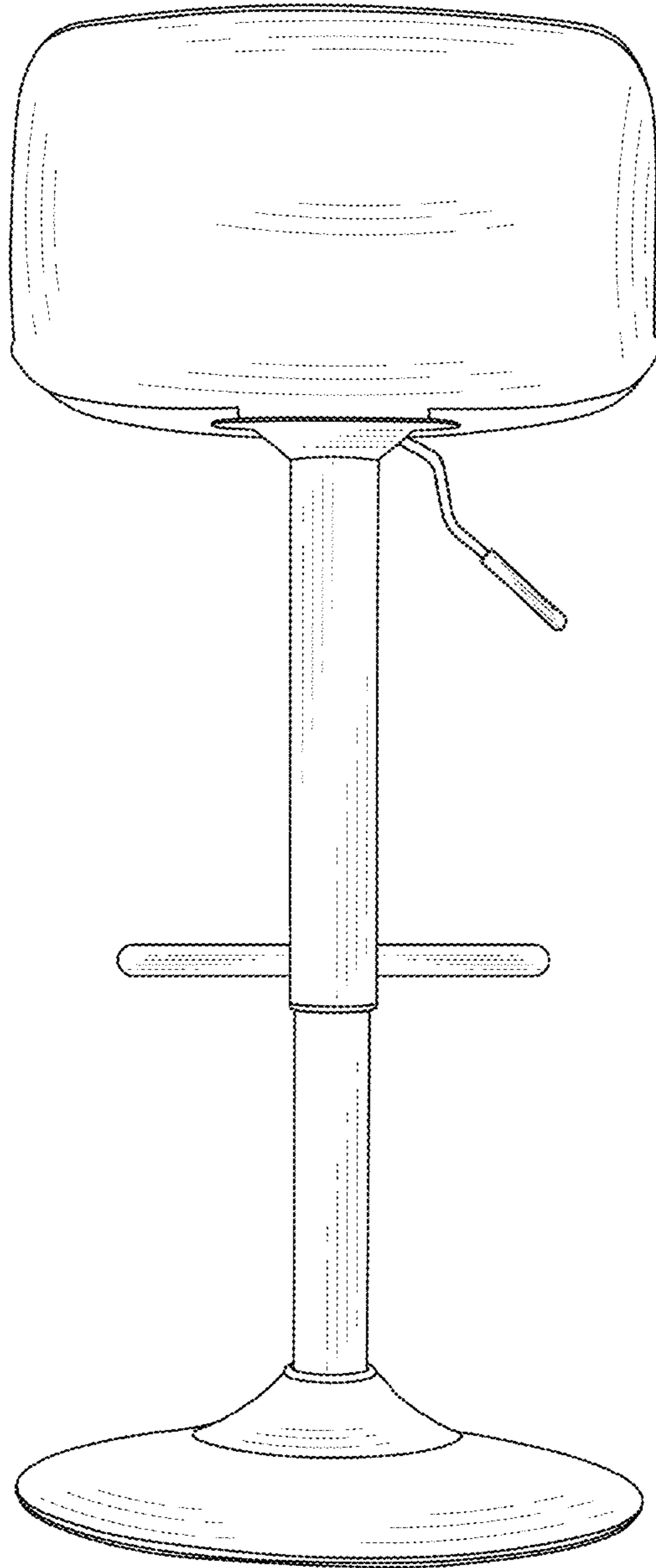


FIG. 3

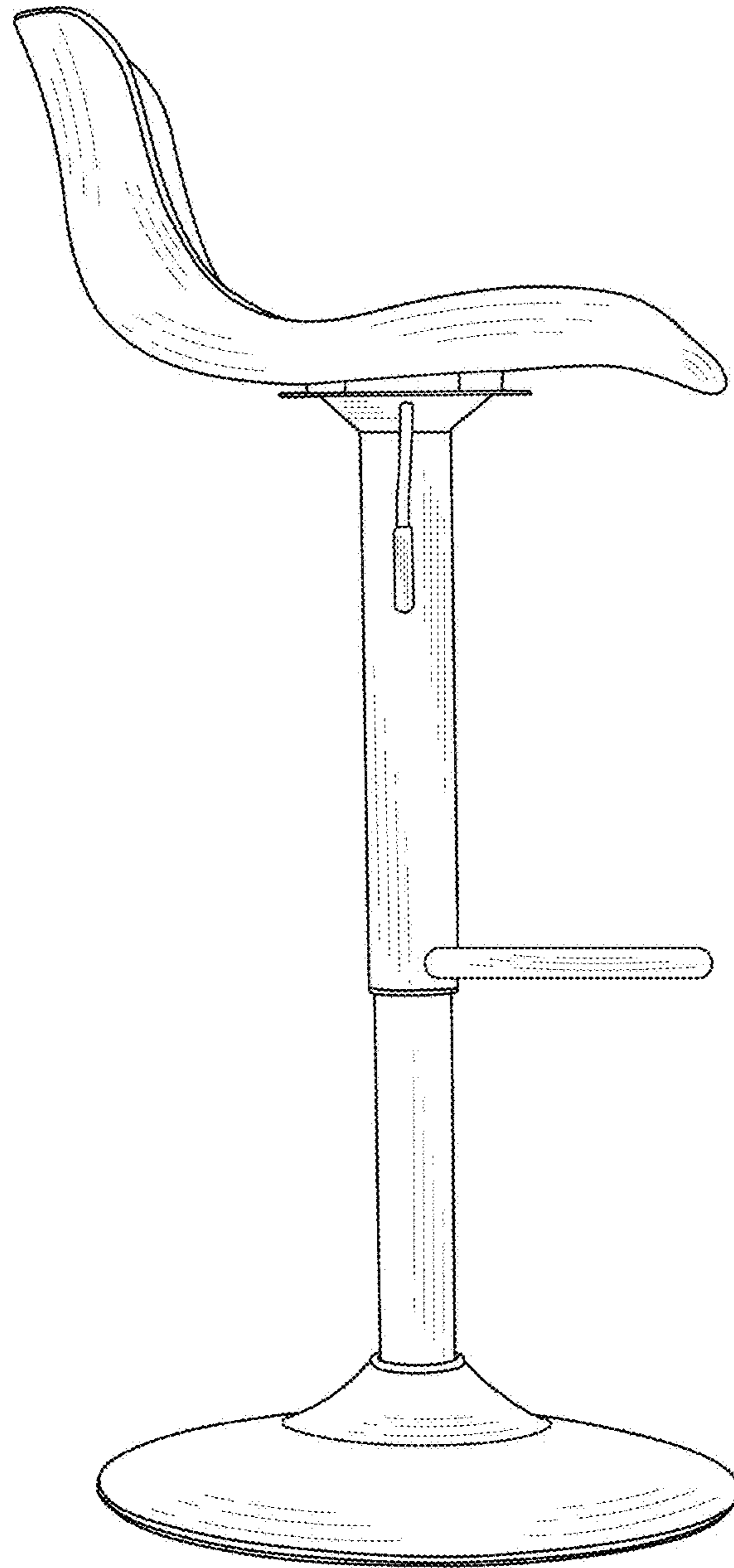


FIG. 4

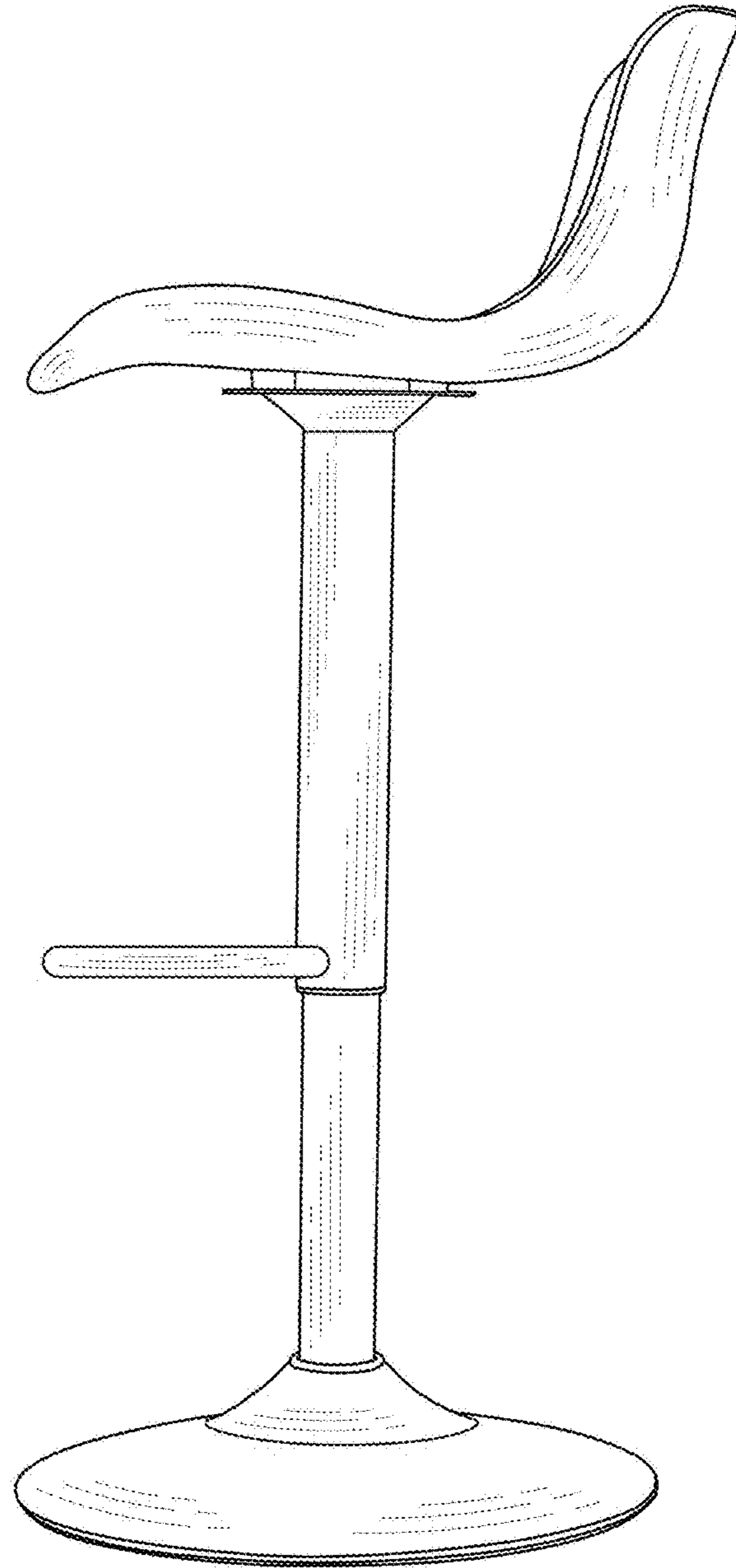


FIG. 5

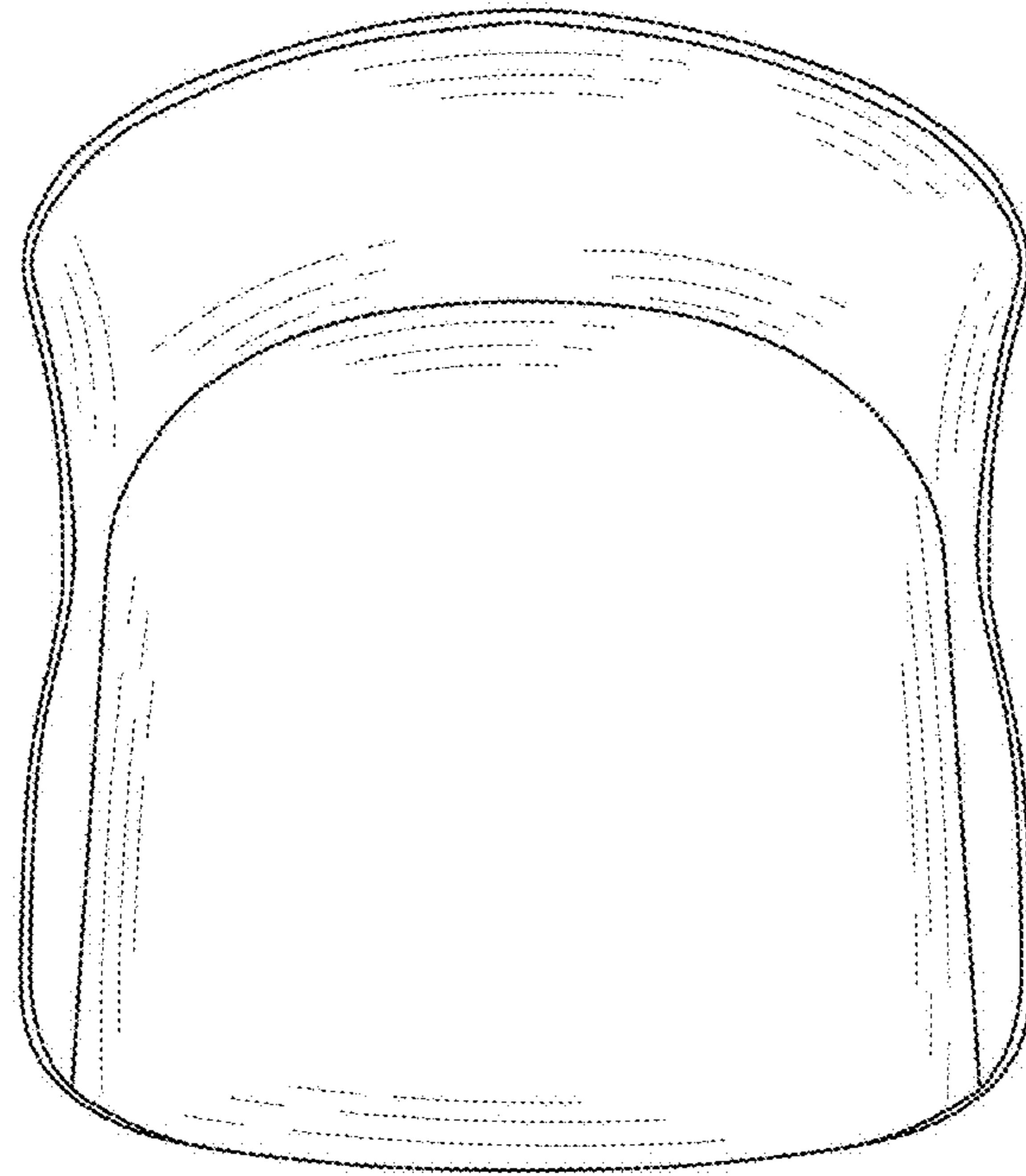


FIG. 6

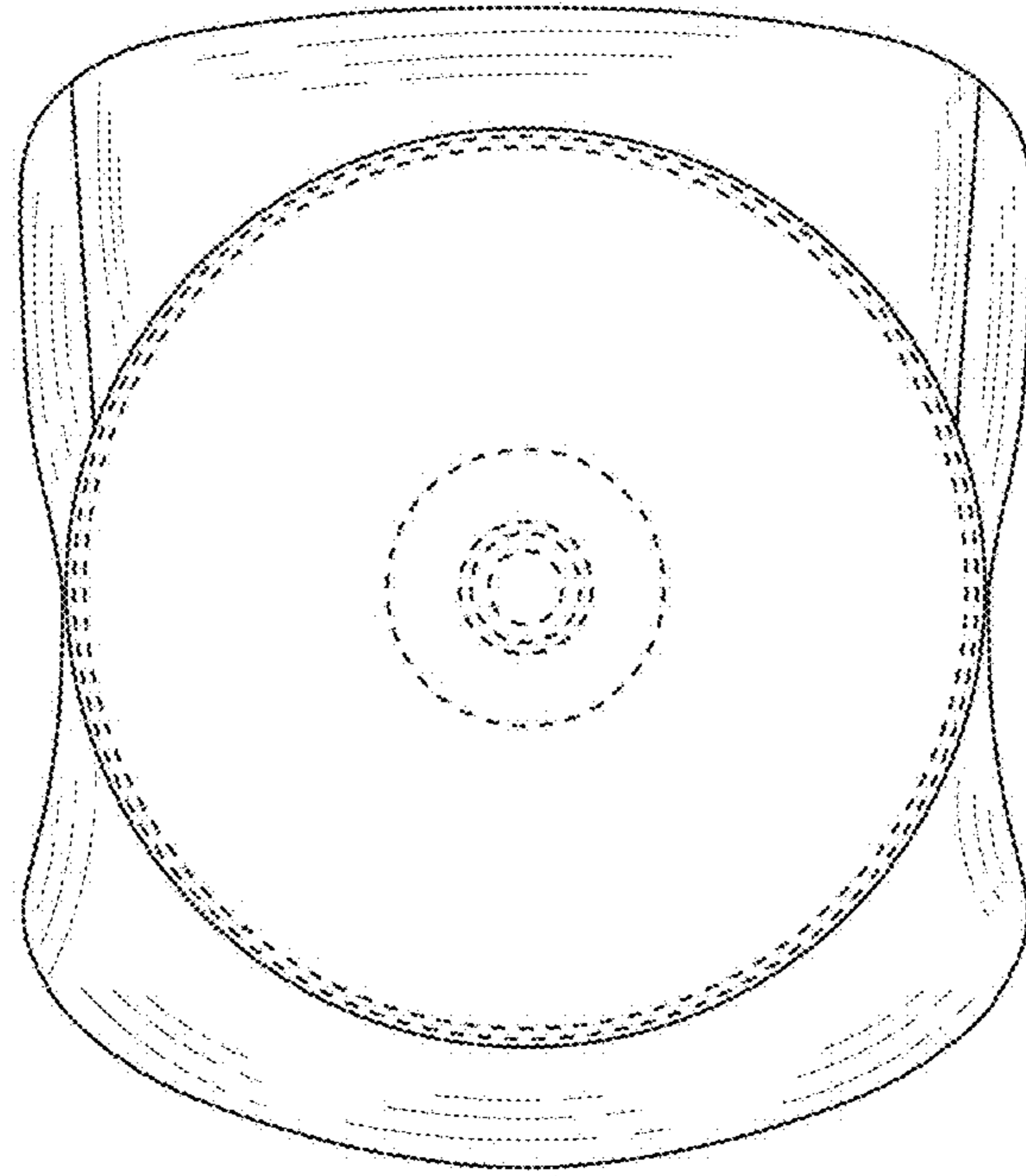


FIG. 7