



US00D899118S

(12) **United States Design Patent** (10) **Patent No.:** **US D899,118 S**  
**Supowitz et al.** (45) **Date of Patent:** **\*\* Oct. 20, 2020**

(54) **BICYCLE SEAT**

(71) Applicants: **Ani Supowitz**, Marina Del Ray, CA (US); **Bryan Visintin**, Marina Del Ray, CA (US)

(72) Inventors: **Ani Supowitz**, Marina Del Ray, CA (US); **Bryan Visintin**, Marina Del Ray, CA (US)

(73) Assignee: **AB Inventions, LLC**, Marina Del Ray, CA (US)

(\*\*) Term: **15 Years**

(21) Appl. No.: **29/676,776**

(22) Filed: **Jan. 14, 2019**

**Related U.S. Application Data**

(63) Continuation-in-part of application No. 29/663,912, filed on Sep. 20, 2018.

(51) **LOC (12) Cl.** ..... **06-01**

(52) **U.S. Cl.**  
USPC ..... **D6/354**

(58) **Field of Classification Search**  
USPC ..... D6/340, 354; D12/110, 111  
(Continued)

(56) **References Cited**

**U.S. PATENT DOCUMENTS**

D106,117 S \* 9/1937 Kraeft ..... D6/354  
D179,158 S 11/1956 Perlowski et al.  
(Continued)

**FOREIGN PATENT DOCUMENTS**

WO WO 00/05098 A1 2/2000

**OTHER PUBLICATIONS**

Information re "Nexride Pro Noseless Saddle" downloaded from the Internet at <http://www.nexride.com/nexride-pro.html>.

*Primary Examiner* — Natasha Vujcic

(74) *Attorney, Agent, or Firm* — Larry K. Roberts

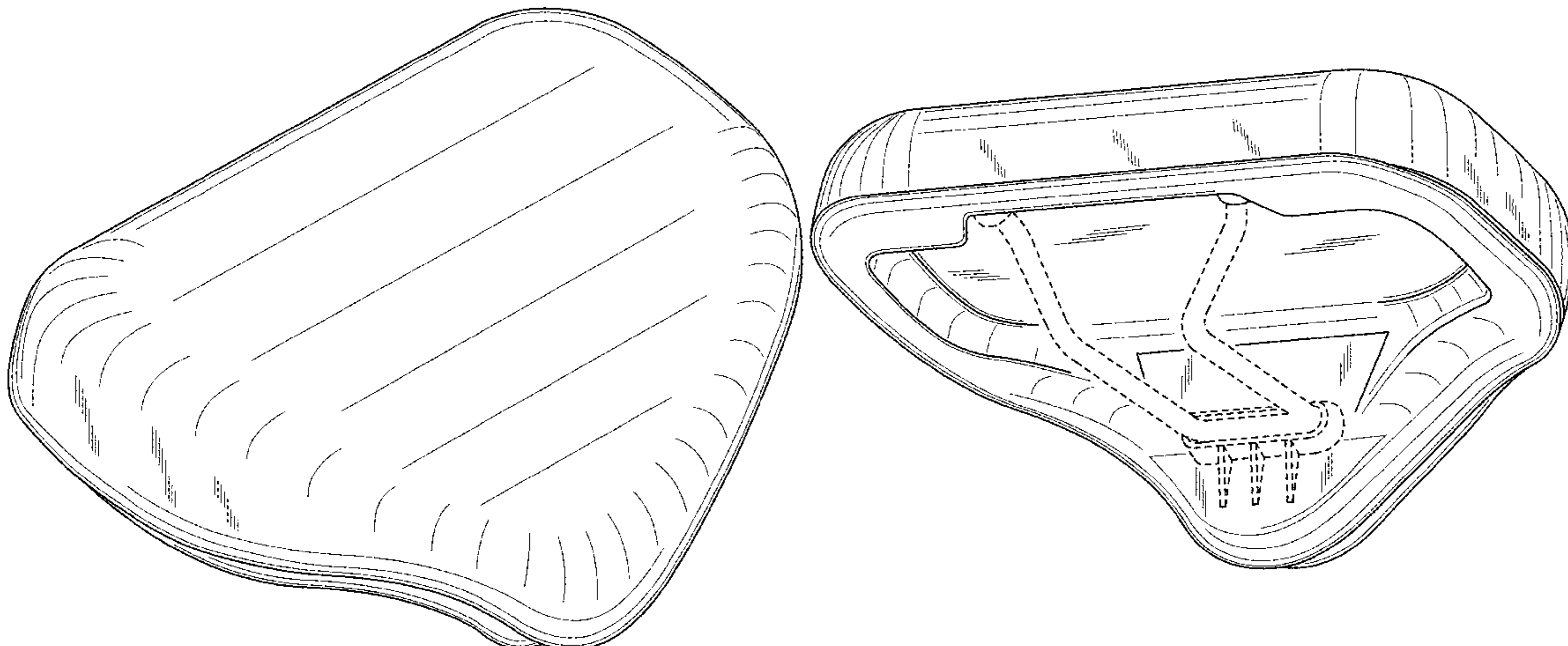
(57) **CLAIM**

The ornamental design for a bicycle seat, as shown and described.

**DESCRIPTION**

FIG. 1 is a perspective environmental view of a bicycle seat in accordance with an embodiment of the design; FIG. 2 is a further perspective view of the bicycle seat of the embodiment of FIG. 1; FIG. 3 is a top view of a bicycle seat of the embodiment of FIG. 1; FIG. 4 is a front elevation view of the bicycle seat of the embodiment of FIG. 1; FIG. 5 is a bottom view of the bicycle seat of the embodiment of FIG. 1; FIG. 6 is a rear elevation view of the bicycle seat of the embodiment of FIG. 1; FIG. 7 is a right side elevation view of the bicycle seat of the embodiment of FIG. 1; FIG. 8 is a left side elevation view of the bicycle seat of the embodiment of FIG. 1; FIG. 9 is a perspective environmental view of a bicycle seat in accordance with a second embodiment of the design; FIG. 10 is a further perspective view of the bicycle seat of the embodiment of FIG. 9; FIG. 11 is a top view of a bicycle seat of the embodiment of FIG. 9; FIG. 12 is a front elevation view of the bicycle seat of the embodiment of FIG. 9; FIG. 13 is a bottom view of the bicycle seat of the embodiment of FIG. 9; FIG. 14 is a rear elevation view of the bicycle seat of the embodiment of FIG. 9; FIG. 15 is a right side elevation view of the bicycle seat of the embodiment of FIG. 9; and, FIG. 16 is a left side elevation view of the bicycle seat of the embodiment of FIG. 9.

(Continued)



The broken lines in the drawings illustrate portions of the bicycle seat which form no part of the claimed design.

**1 Claim, 10 Drawing Sheets**

**(58) Field of Classification Search**

CPC ... B62J 1/002; B62J 1/005; B62J 1/007; B62J  
1/26

See application file for complete search history.

**(56) References Cited**

U.S. PATENT DOCUMENTS

4,773,705	A	9/1988	Terranova	
D315,646	S *	3/1991	Hood .....	D6/354
D348,785	S	7/1994	White	
D370,132	S *	5/1996	Urias .....	D6/354
D377,575	S	1/1997	Lowrey, Jr. et al.	
D408,159	S	4/1999	Clutton	
D418,315	S *	1/2000	Stewart .....	D12/114
D428,270	S *	7/2000	Bigolin .....	D6/354
D428,271	S *	7/2000	Bigolin .....	D6/354
D429,905	S	8/2000	White	
6,158,806	A	12/2000	White	
D456,623	S *	5/2002	Yates .....	D6/354
D720,548	S *	1/2015	Yu .....	D6/354
D774,791	S *	12/2016	Toll .....	D6/354
D778,079	S *	2/2017	Porter .....	D6/354
D856,013	S *	8/2019	Jalkanen .....	D6/354
D856,014	S *	8/2019	Jalkanen .....	D6/354

\* cited by examiner

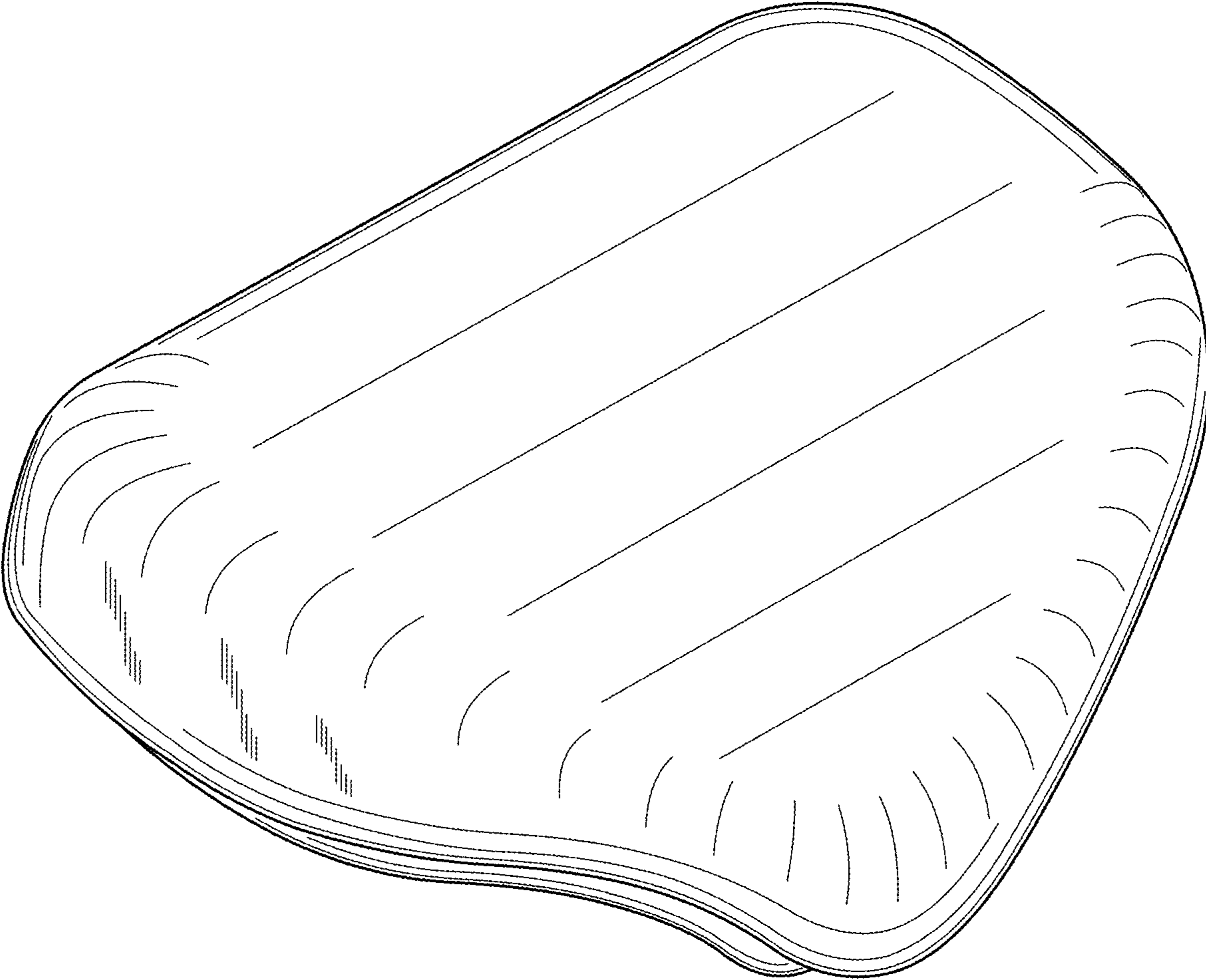


FIG. 1

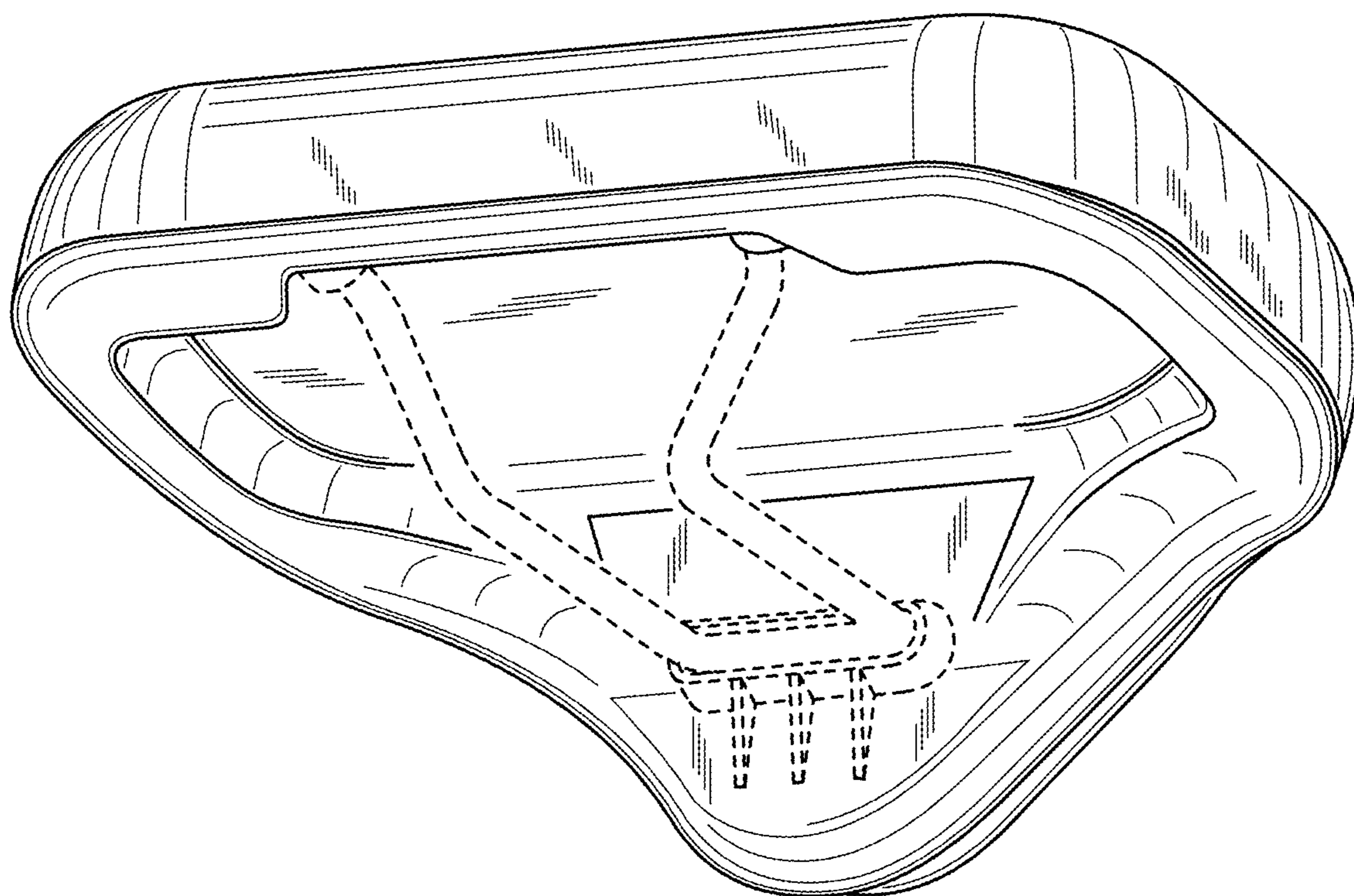


FIG. 2

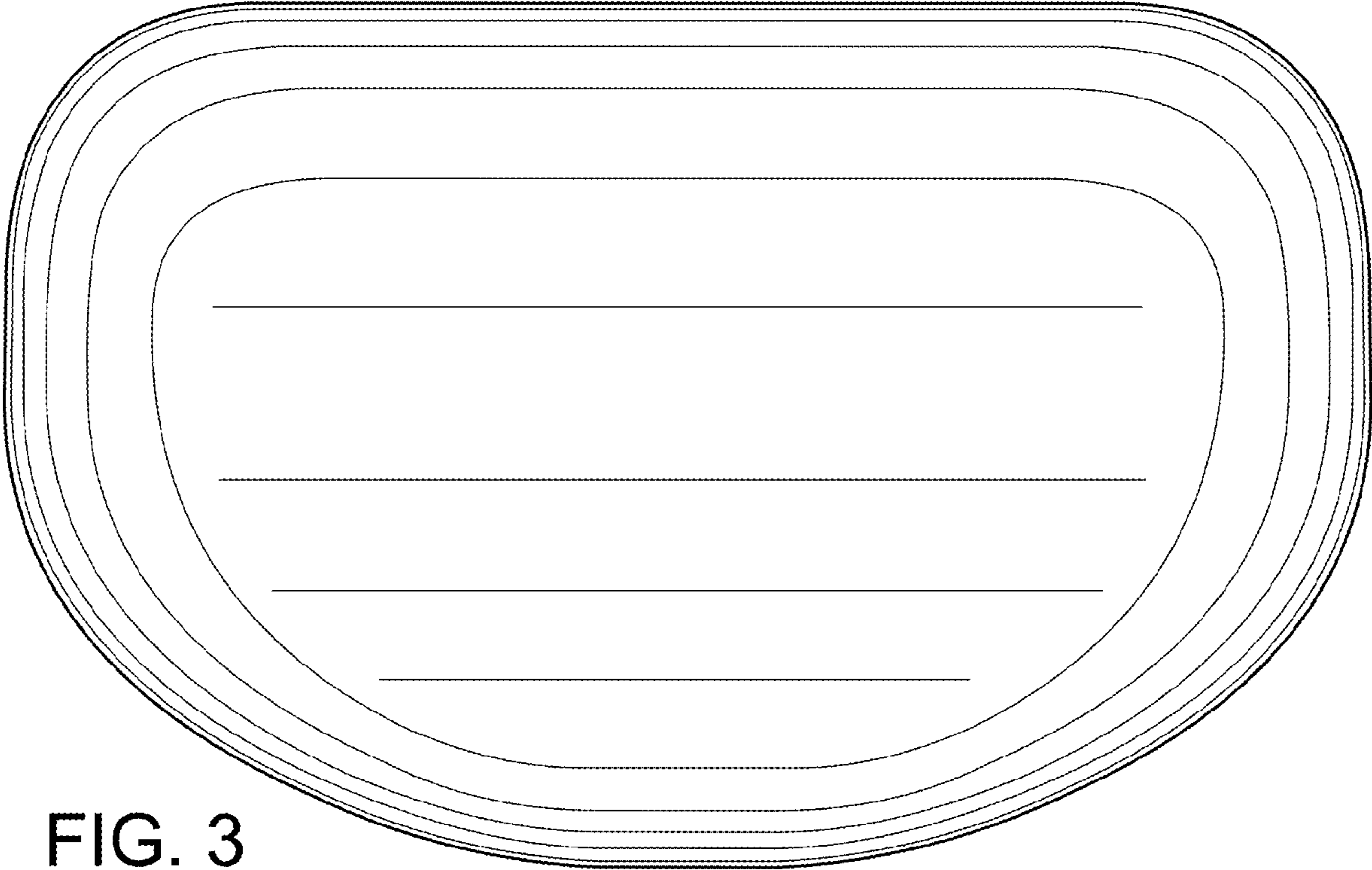


FIG. 3

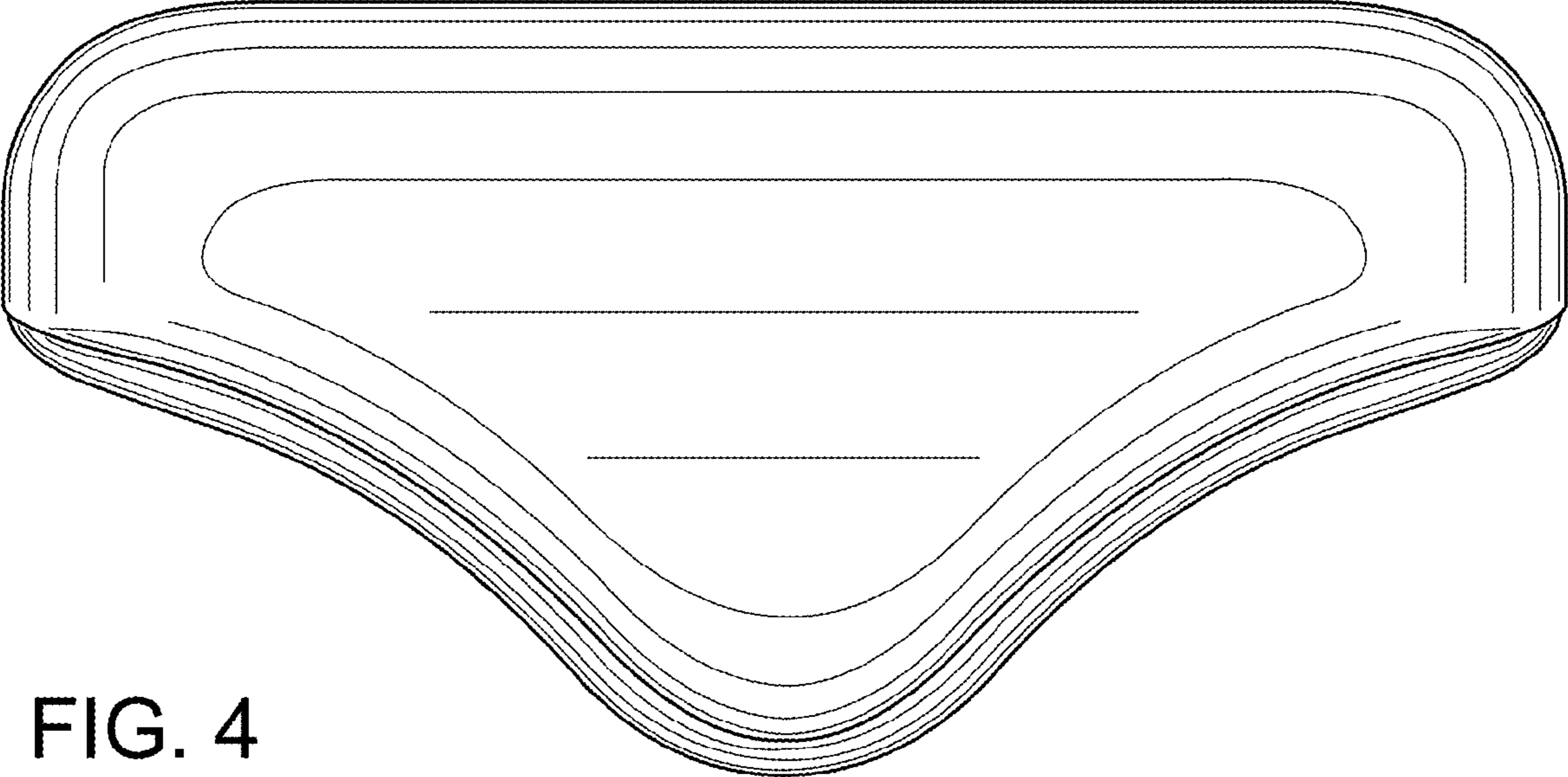


FIG. 4

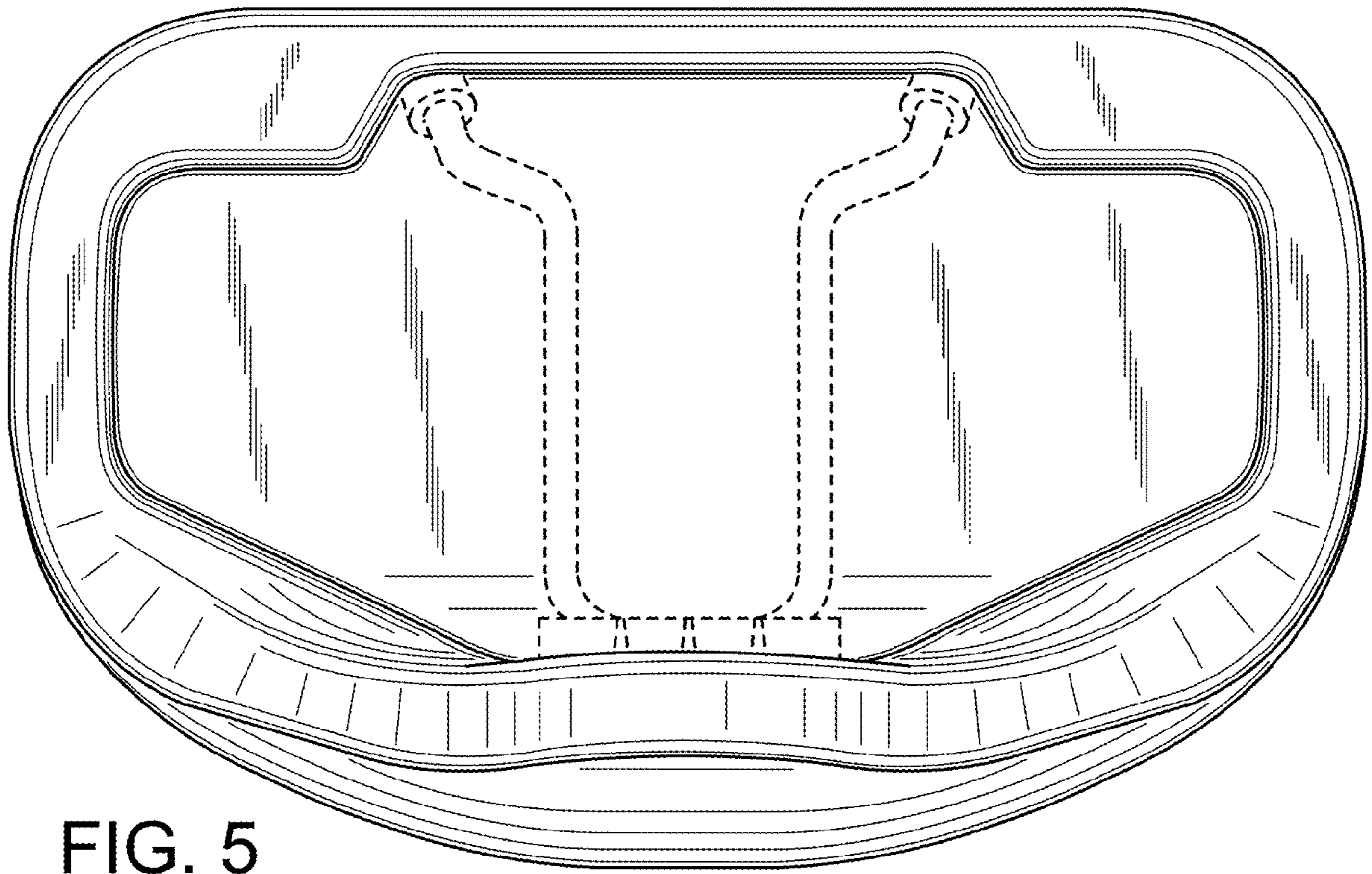


FIG. 5

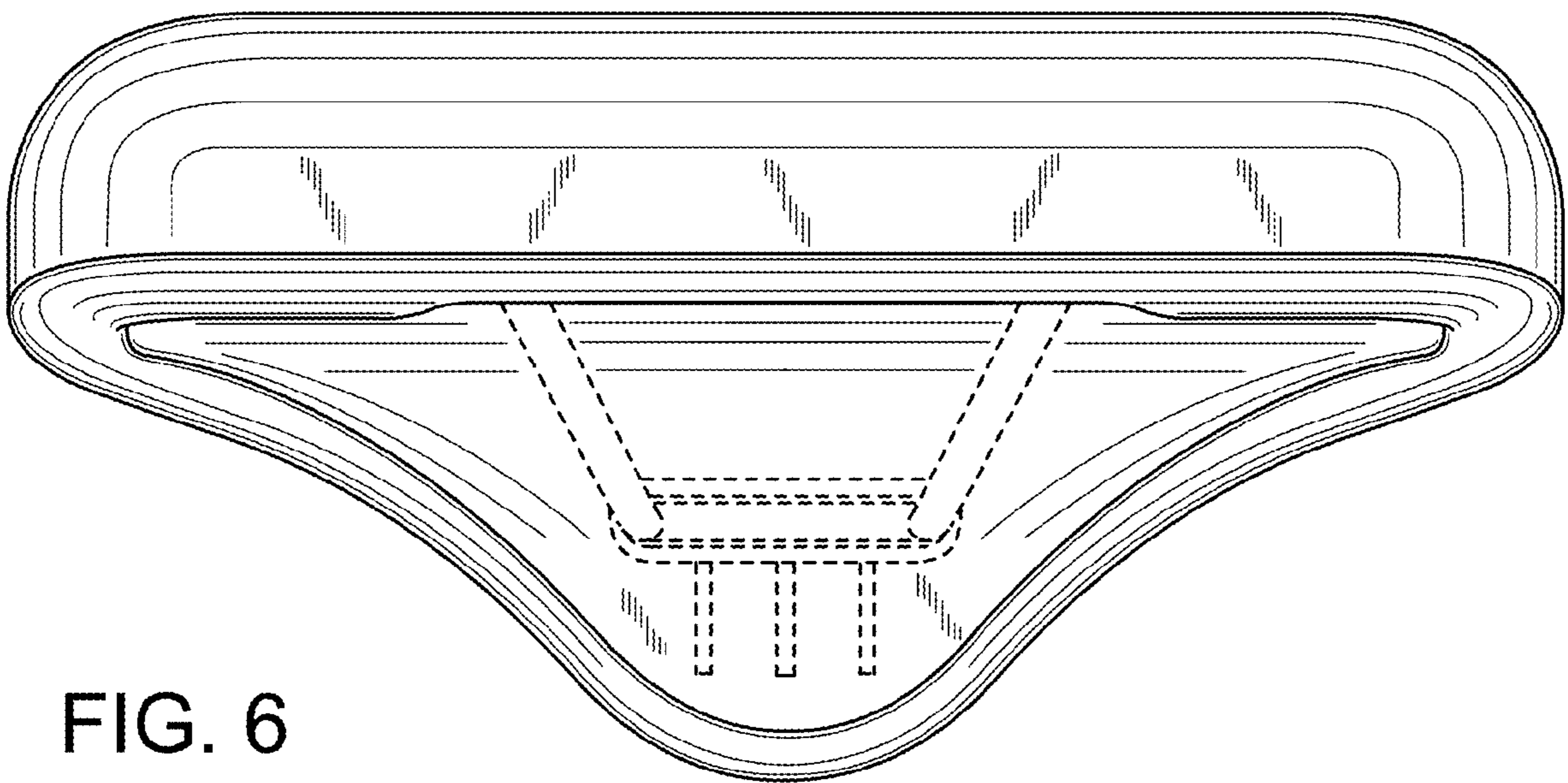


FIG. 6

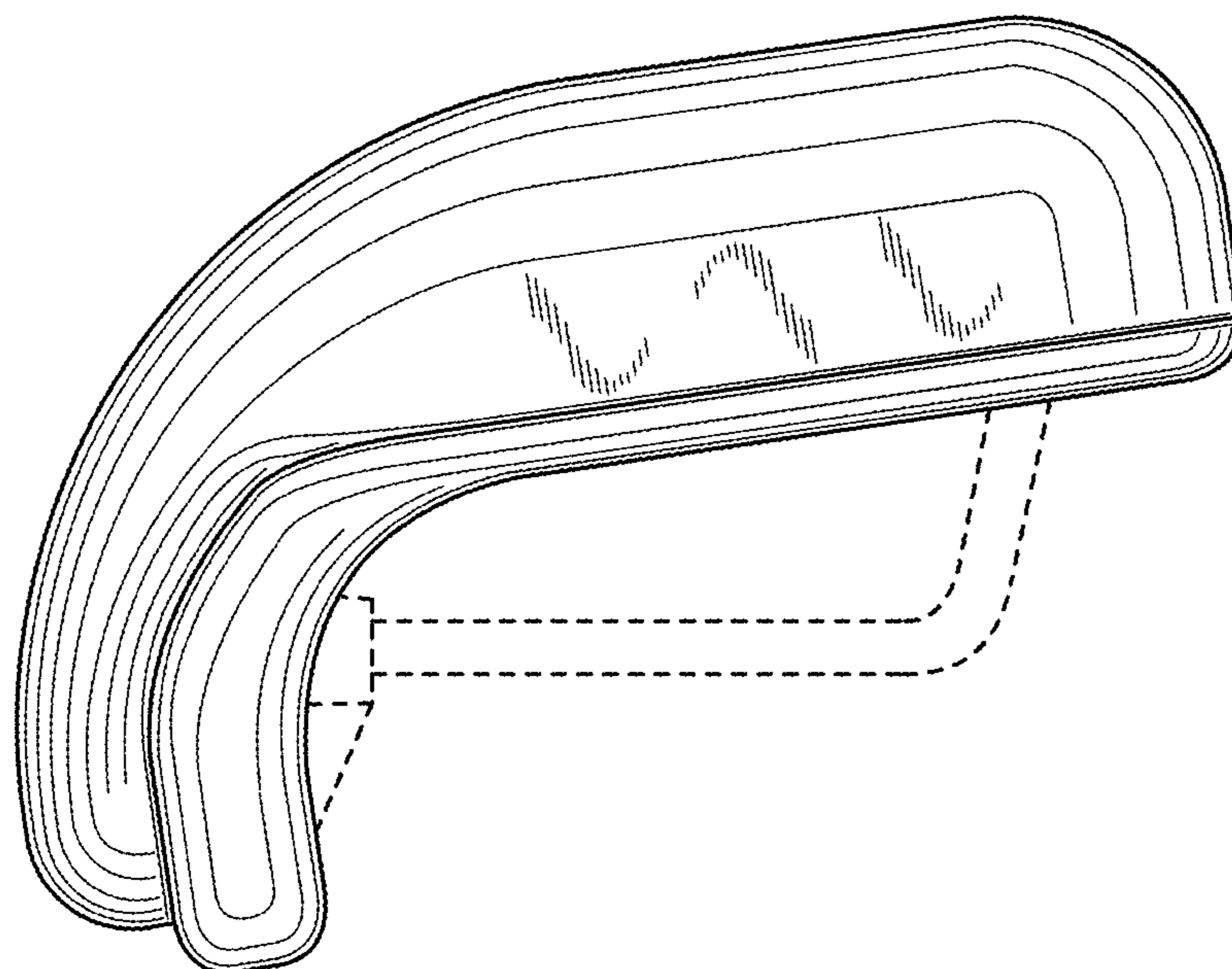


FIG. 7

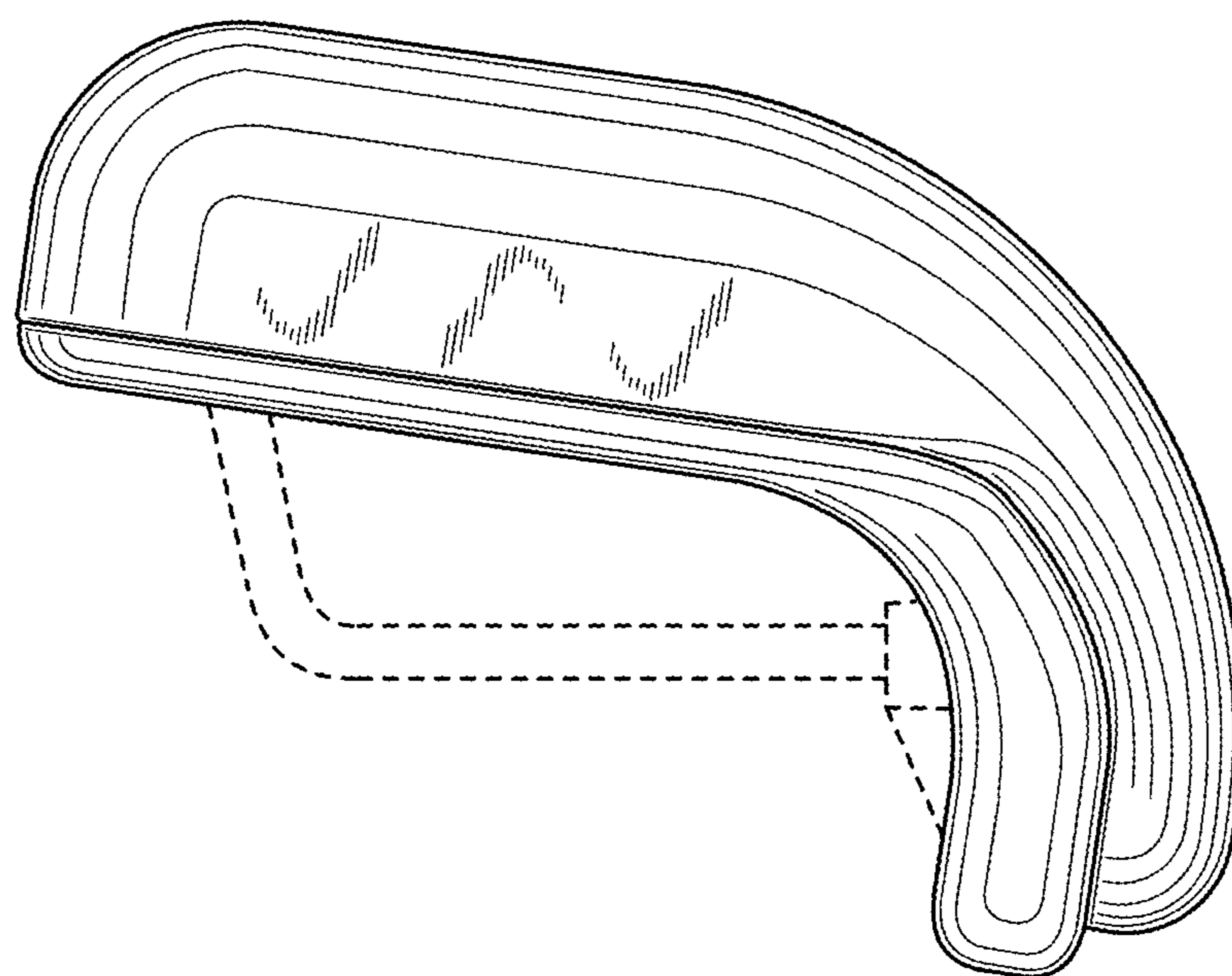


FIG. 8

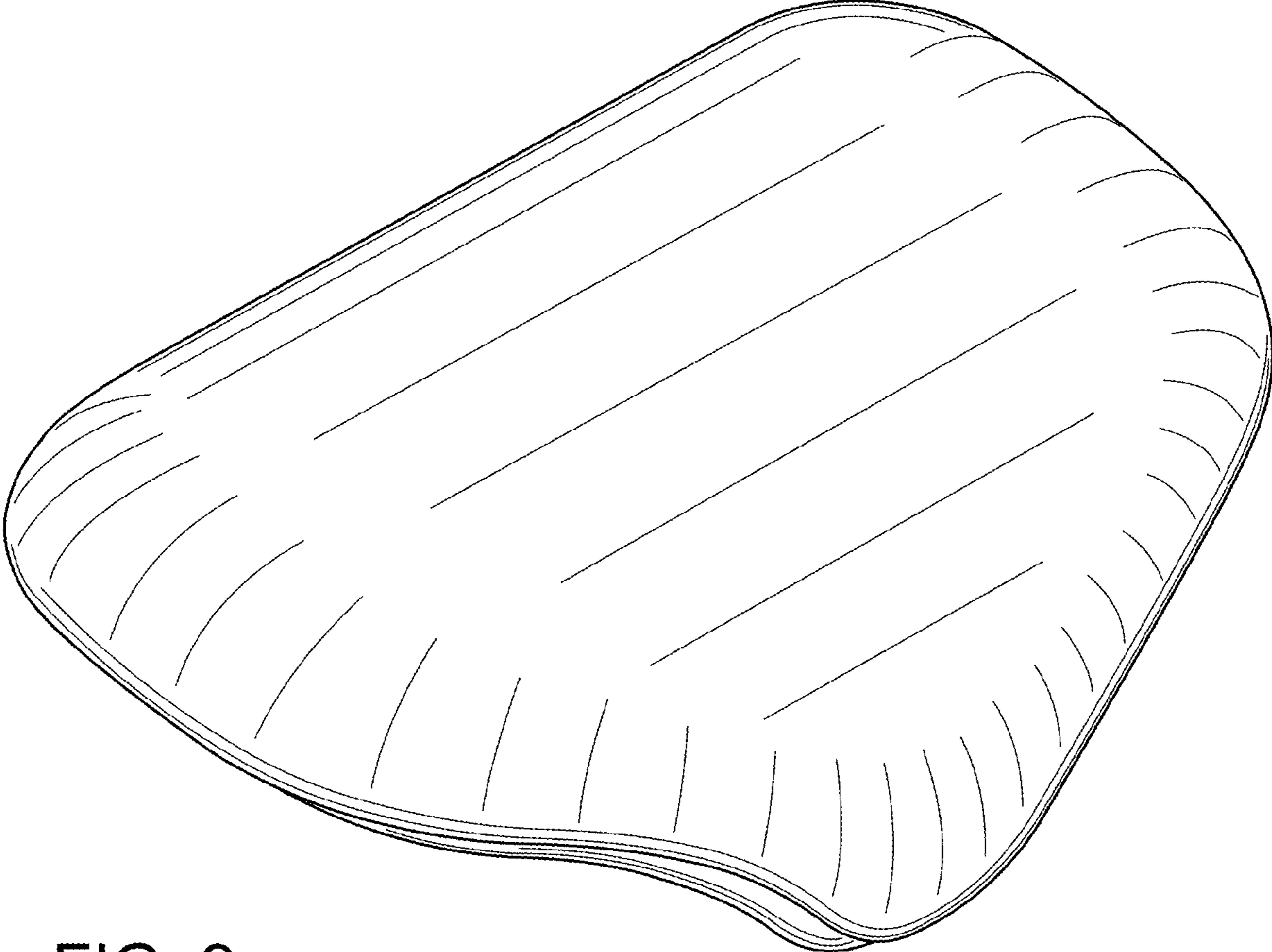


FIG. 9



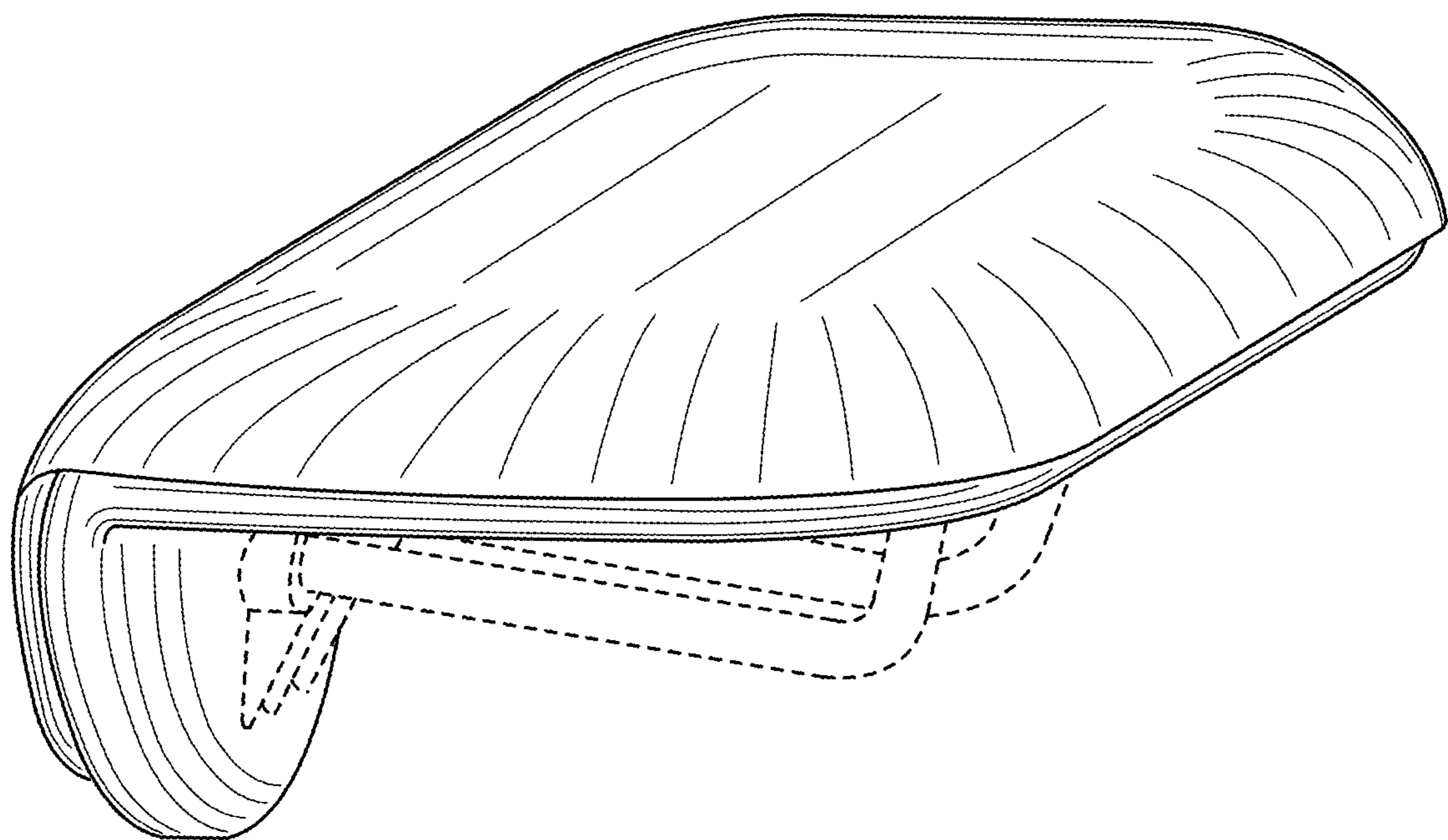


FIG. 10

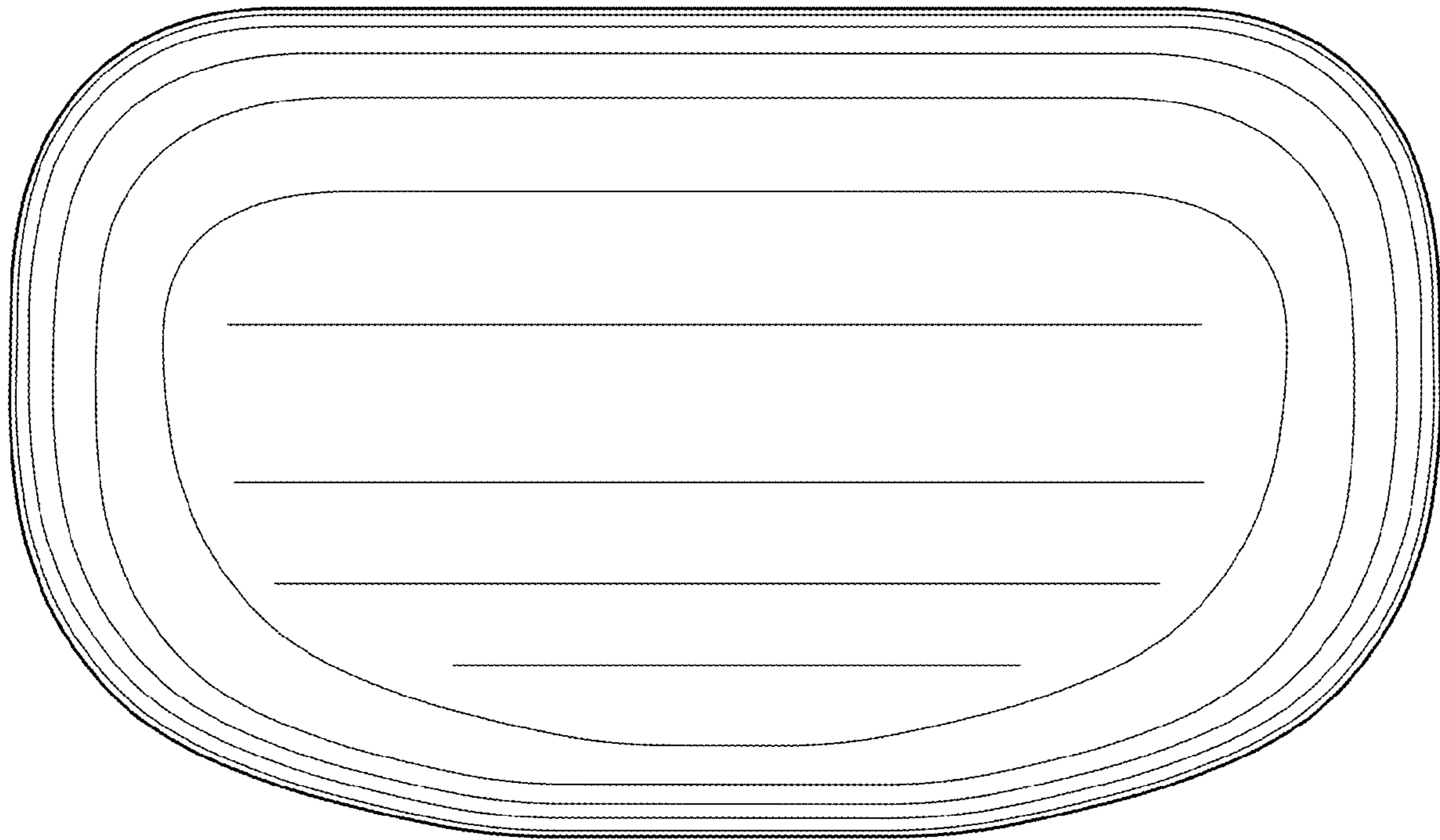


FIG. 11

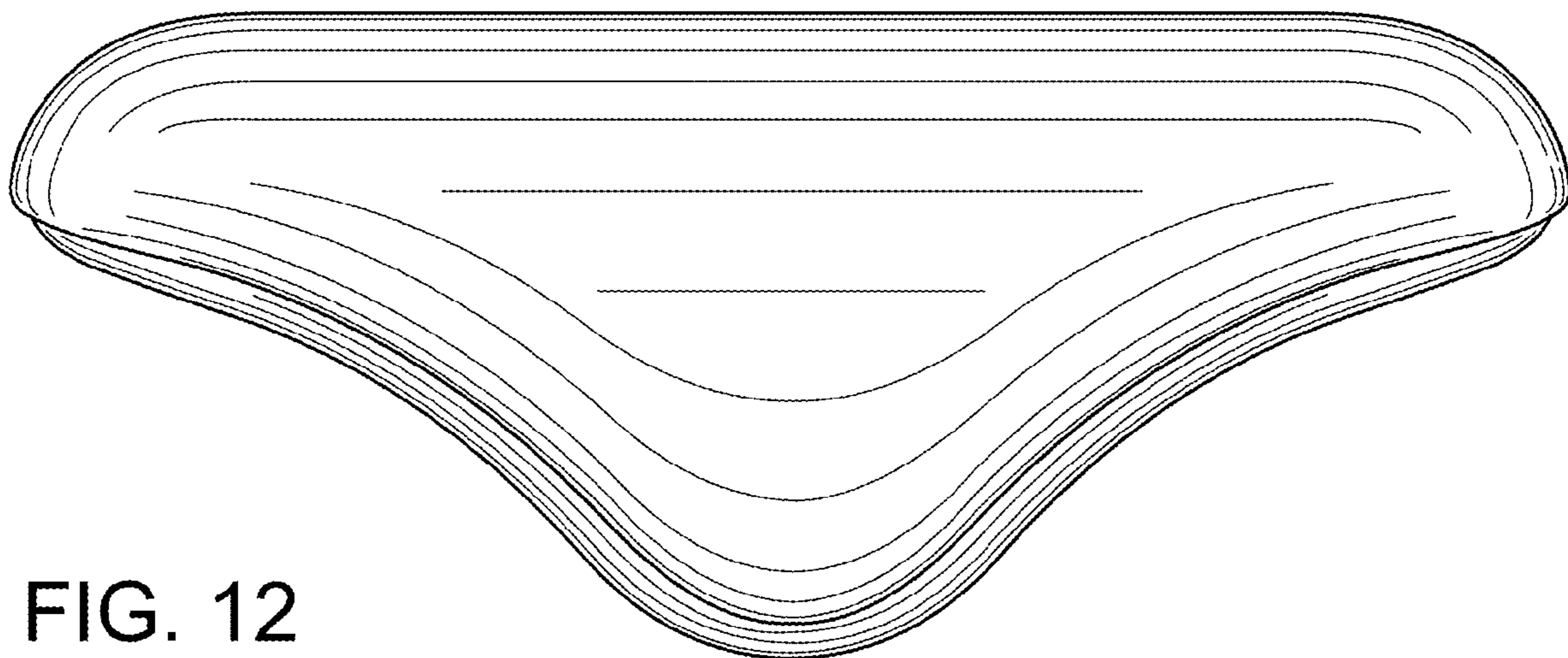


FIG. 12

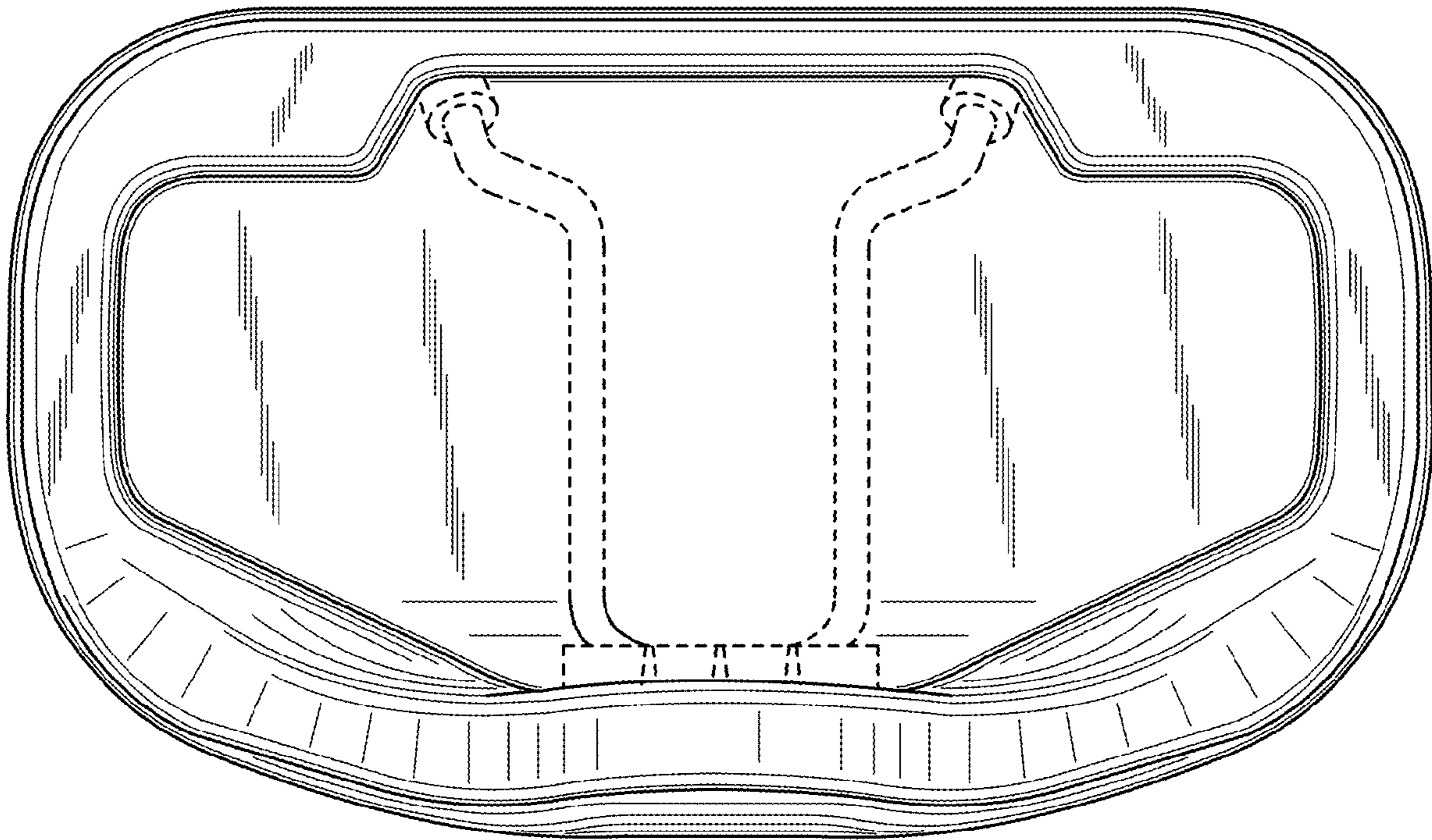


FIG. 13

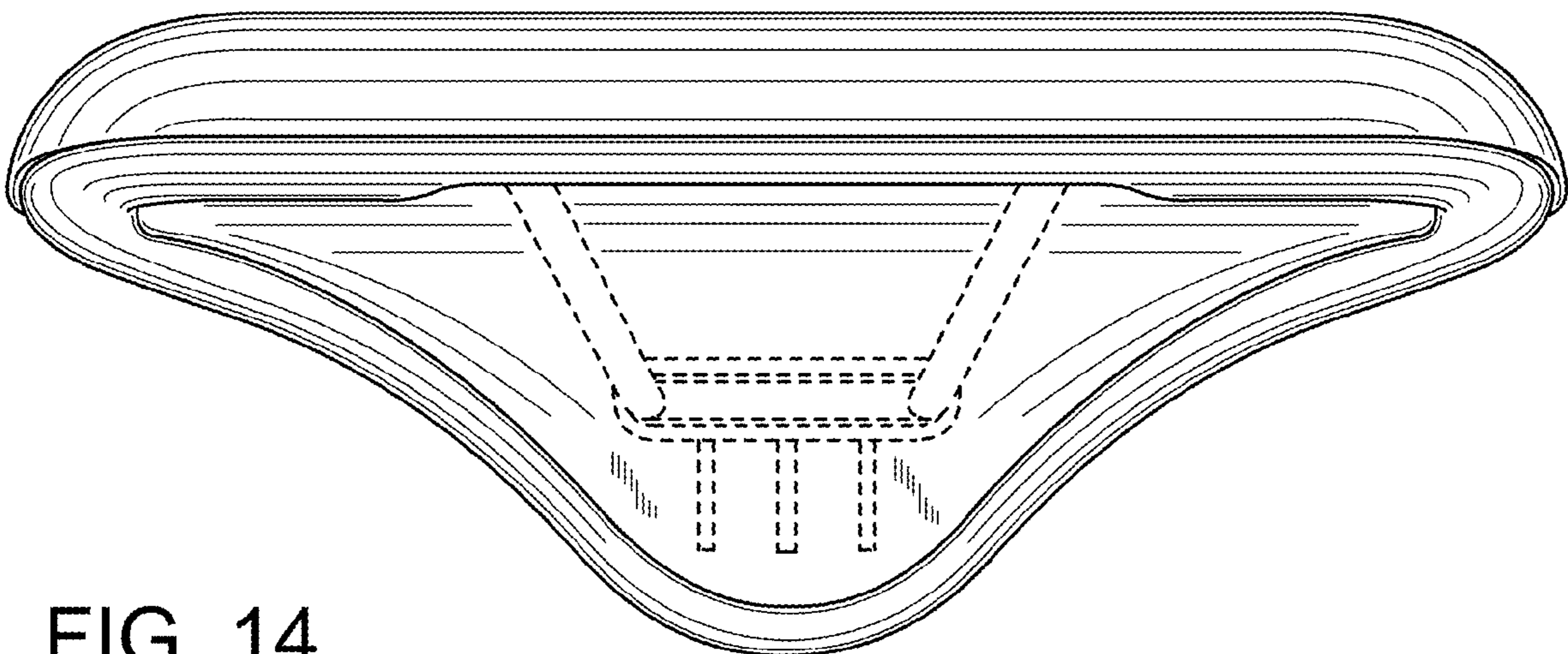


FIG. 14

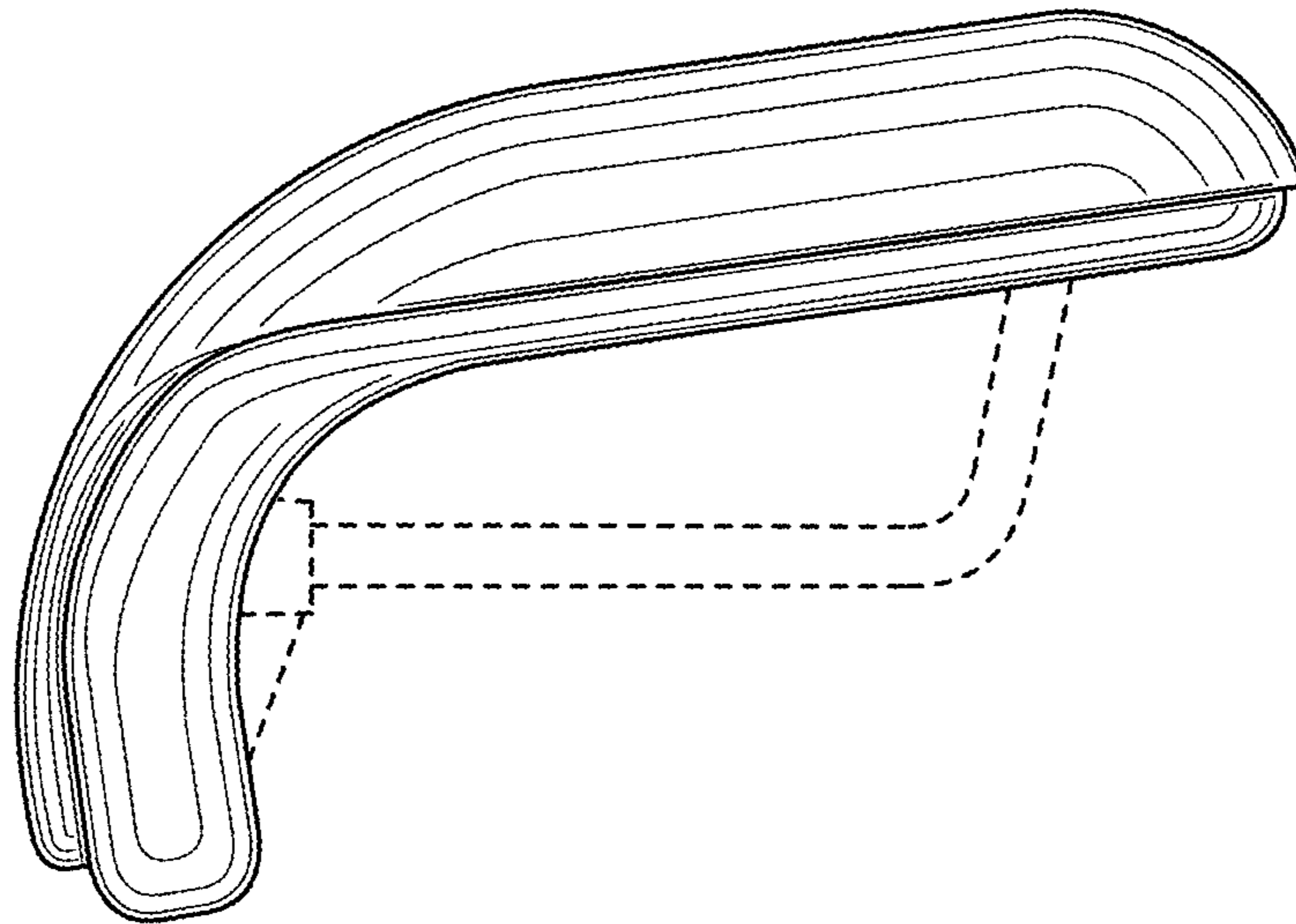


FIG. 15

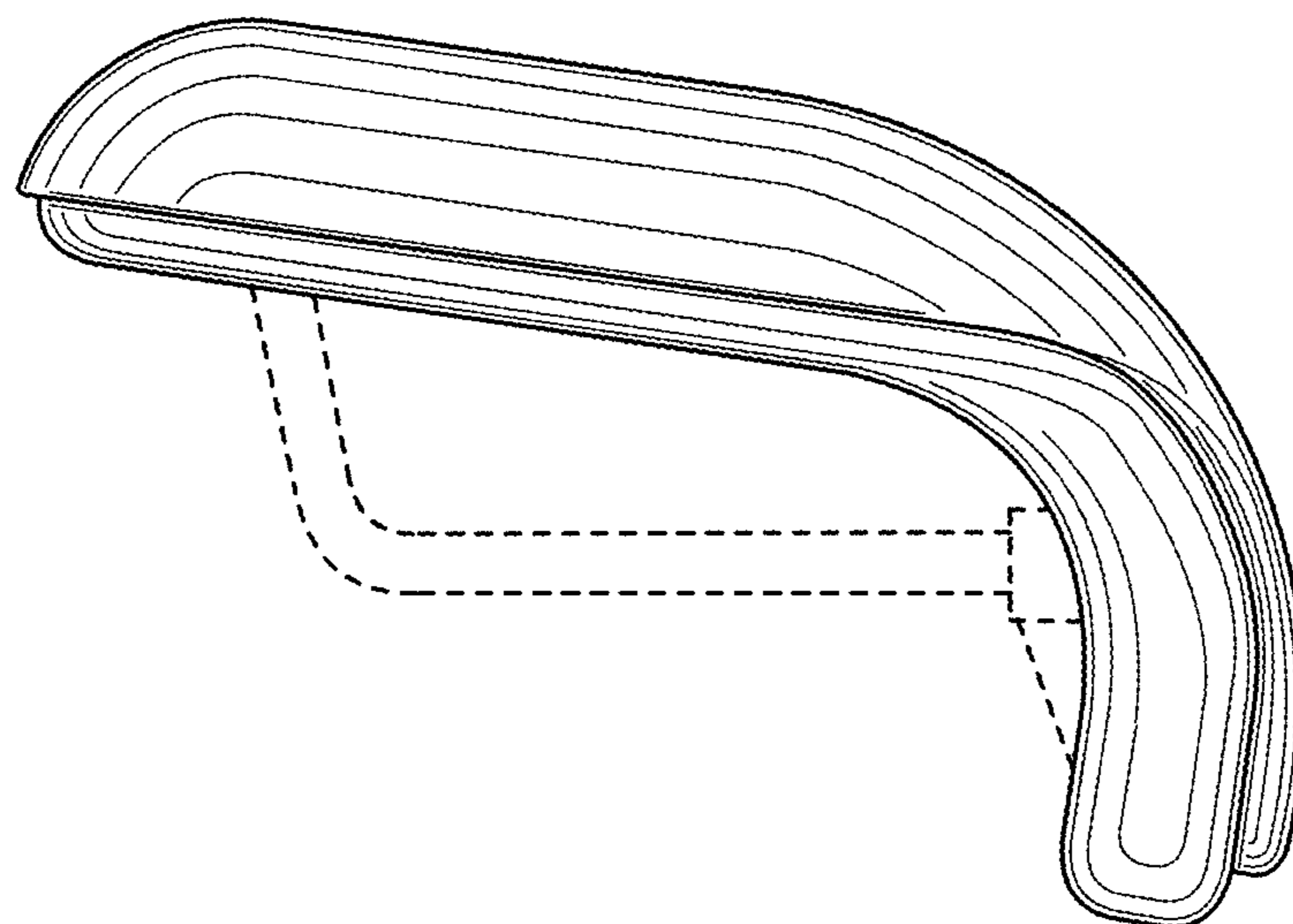


FIG. 16