



US00D899117S

(12) **United States Design Patent**  
**Dai**

(10) **Patent No.:** **US D899,117 S**  
(45) **Date of Patent:** **\*\* Oct. 20, 2020**

(54) **FOLDING STOOL**

(71) Applicant: **Shanghai Benxu Precision Mold Co., Ltd.**, Shanghai (CN)

(72) Inventor: **Xuguang Dai**, Shanghai (CN)

(73) Assignee: **Shanghai Benxu Precision Mold Co., Ltd.**, Shanghai (CN)

(\*\*) Term: **15 Years**

(21) Appl. No.: **29/729,549**

(22) Filed: **Mar. 27, 2020**

**Related U.S. Application Data**

(63) Continuation-in-part of application No. 29/707,361, filed on Sep. 27, 2019, now Pat. No. Des. 873,042.

(51) **LOC (12) Cl.** ..... **06-01**

(52) **U.S. Cl.**  
USPC ..... **D6/353; D6/351**

(58) **Field of Classification Search**  
USPC ..... D6/335, 345, 349-354, 358, 364, 368,  
D6/334, 597, 716-716.1

(Continued)

(56) **References Cited**

**U.S. PATENT DOCUMENTS**

D169,128 S \* 3/1953 Corder ..... D6/358  
2,702,584 A \* 2/1955 Williams ..... A47C 7/42  
297/124

(Continued)

**OTHER PUBLICATIONS**

Portable Retractable Folding Camping Stool Telescopic Seat Outdoor Travel—Black, [online] Retrieved Jun. 16, 2020 from URL: [https://www.ebay.com/itm/Portable-Retractable-Folding-Camping-Stool-Telescopic-Seat-Outdoor-Travel-Black-/153966694276.\\*](https://www.ebay.com/itm/Portable-Retractable-Folding-Camping-Stool-Telescopic-Seat-Outdoor-Travel-Black-/153966694276.*)

*Primary Examiner* — Vy N Koenig

(74) *Attorney, Agent, or Firm* — ScienBiziP, P.C.

(57) **CLAIM**

The ornamental design for a folding stool, as shown and described.

**DESCRIPTION**

FIG. 1 is a perspective view of a folding stool, showing my design.

FIG. 2 is another perspective view thereof.

FIG. 3 is a front elevation view thereof.

FIG. 4 is a rear elevation view thereof.

FIG. 5 is a left side elevation view thereof.

FIG. 6 is a right side elevation view thereof.

FIG. 7 is a top plan view thereof.

FIG. 8 is a bottom plan view thereof.

FIG. 9 is another perspective view showing an exemplary state of use of the folding stool with an unclaimed backrest.

FIG. 10 is another perspective view showing an exemplary state of use of the folding stool with another unclaimed backrest.

FIG. 11 is another perspective view of the folding stool of FIG. 10 folded up.

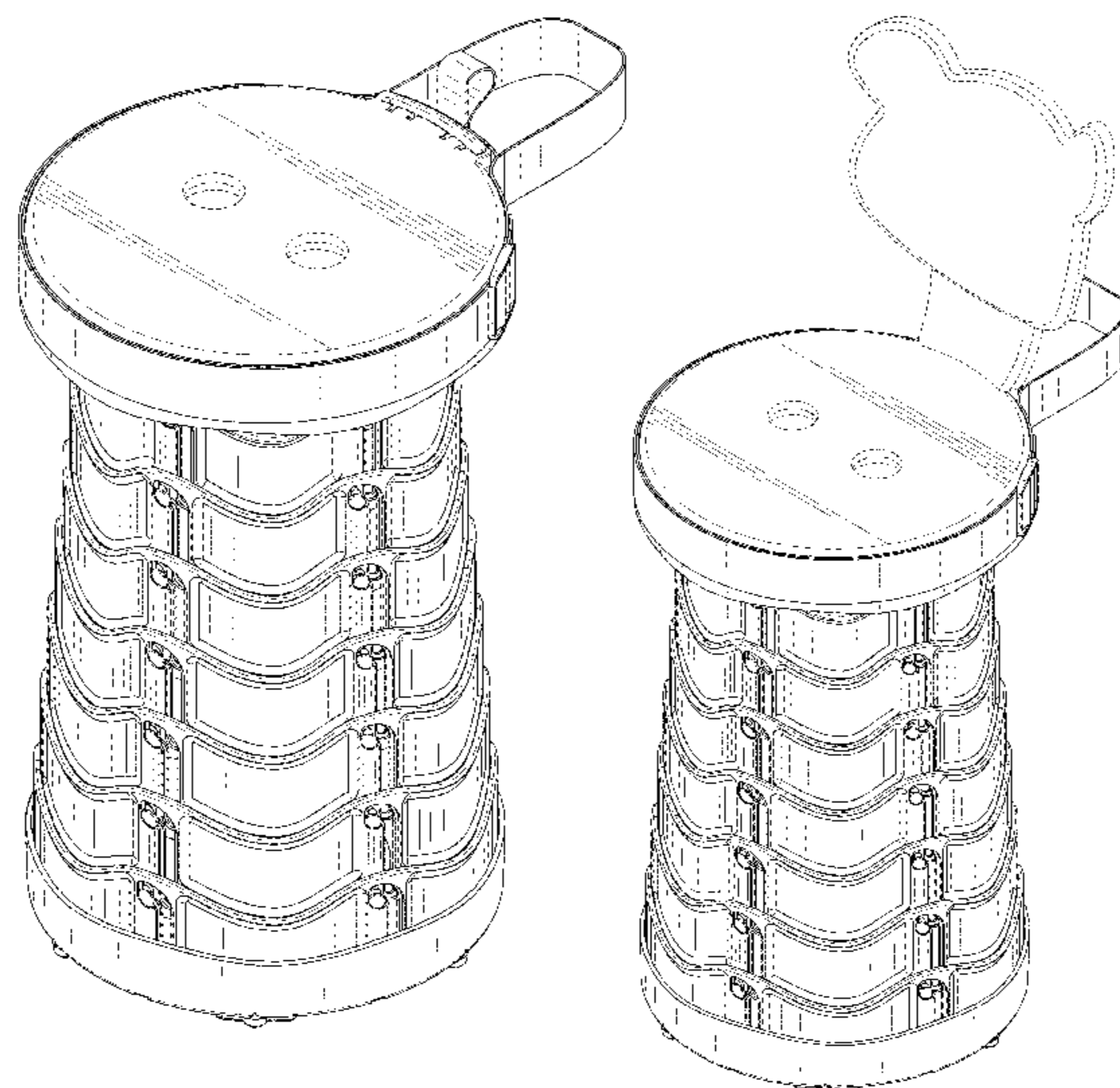
FIG. 12 is another perspective view of the folding stool of FIG. 10 folded up with the strap is unfastened from the cover of the folding stool.

FIG. 13 is another perspective view showing an exemplary state of use of the folding stool with another unclaimed backrest.

FIG. 14 is another perspective view showing an exemplary state of use of the folding stool with another unclaimed backrest; and,

FIG. 15 is another perspective view showing an exemplary state of use of the folding stool with an unclaimed desktop. The broken lines in the drawings depict environmental subject matter, including the unclaimed backrests and desktop shown in FIGS. 9-15, as well as the boundaries of the claim. None of the broken lines form part of the claimed design.

**1 Claim, 15 Drawing Sheets**



(58) **Field of Classification Search**  
CPC ..... A47C 16/02-04; A47C 13/00  
See application file for complete search history.

(56) **References Cited**

U.S. PATENT DOCUMENTS

D207,708 S \* 5/1967 Michals ..... D6/352  
3,715,996 A \* 2/1973 Rolfshus ..... A47B 3/10  
297/311  
D233,714 S \* 11/1974 Everard et al. .... D6/352  
D297,788 S \* 9/1988 Funston ..... D6/345  
D333,734 S \* 3/1993 Wright ..... D6/358  
D360,314 S \* 7/1995 Richman ..... D6/345  
6,135,548 A \* 10/2000 McGuire ..... A47C 9/02  
297/163  
6,467,843 B1 \* 10/2002 Rossborough ..... A47C 3/34  
108/150  
7,195,102 B2 \* 3/2007 Shai ..... E04G 1/22  
182/230

D589,269 S \* 3/2009 Allende ..... D6/349  
D647,313 S \* 10/2011 Chen ..... D6/364  
D671,757 S \* 12/2012 Walker ..... D6/349  
D672,568 S \* 12/2012 Keeley ..... D6/349  
D686,829 S \* 7/2013 Elmaleh ..... D6/352  
D776,963 S \* 1/2017 Baylar ..... D6/692  
D777,487 S \* 1/2017 Baylar ..... D6/692.3  
D801,064 S \* 10/2017 Von Boetticher ..... D6/352  
D809,309 S \* 2/2018 Theesfeld ..... D6/349  
D809,809 S \* 2/2018 Theesfeld ..... D6/352  
D812,919 S \* 3/2018 Kim ..... D6/352  
D830,710 S \* 10/2018 Harguth ..... D6/349  
D839,009 S 1/2019 Garbus et al.  
D843,745 S \* 3/2019 Walser ..... D6/349  
D853,740 S \* 7/2019 Corey ..... D6/352  
D861,366 S \* 10/2019 Jahns ..... D6/364  
D865,384 S 11/2019 Cao  
D867,000 S 11/2019 Liu et al.  
D873,042 S \* 1/2020 Dai ..... D6/353  
D878,067 S \* 3/2020 You ..... D6/353

\* cited by examiner

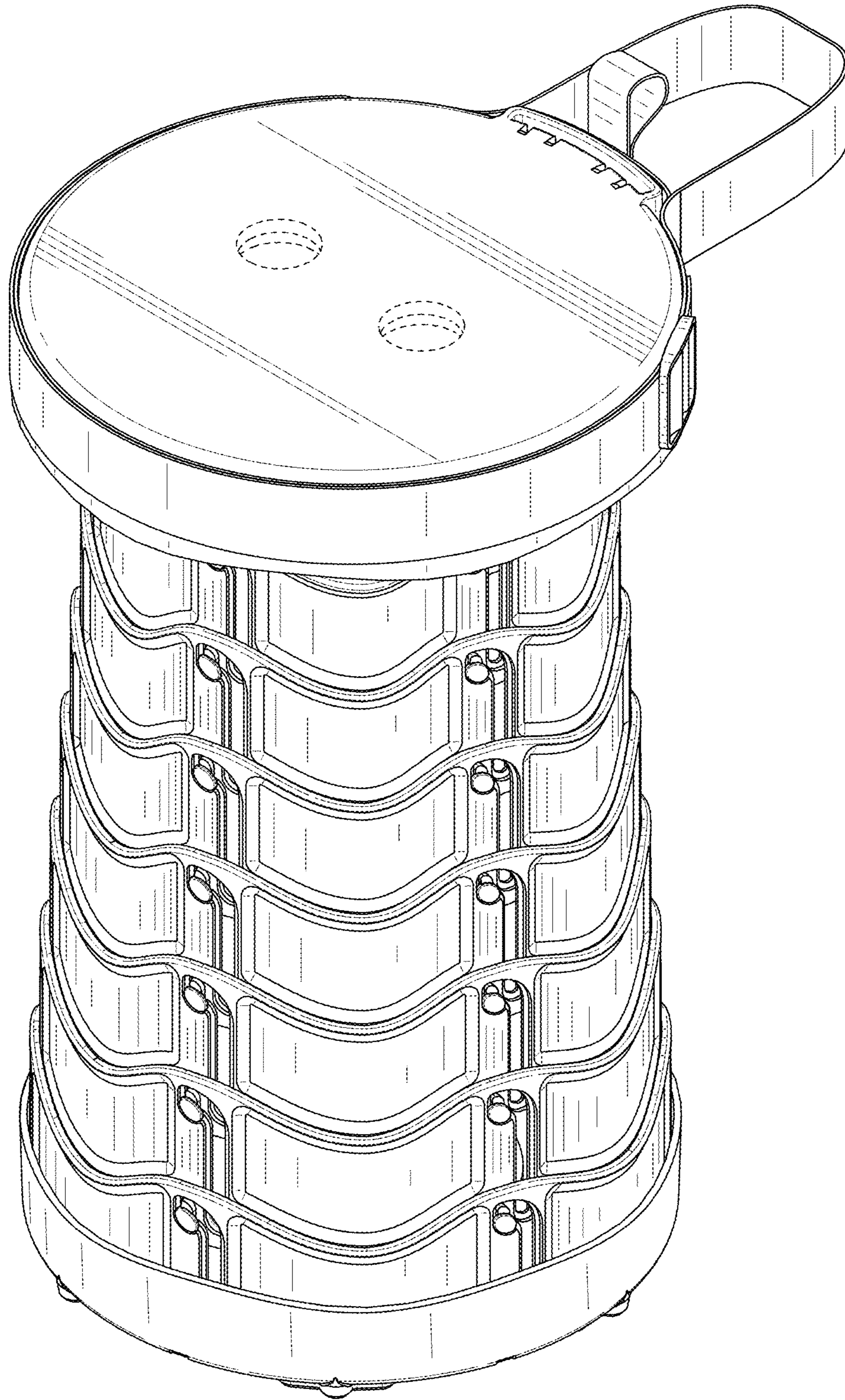


FIG. 1

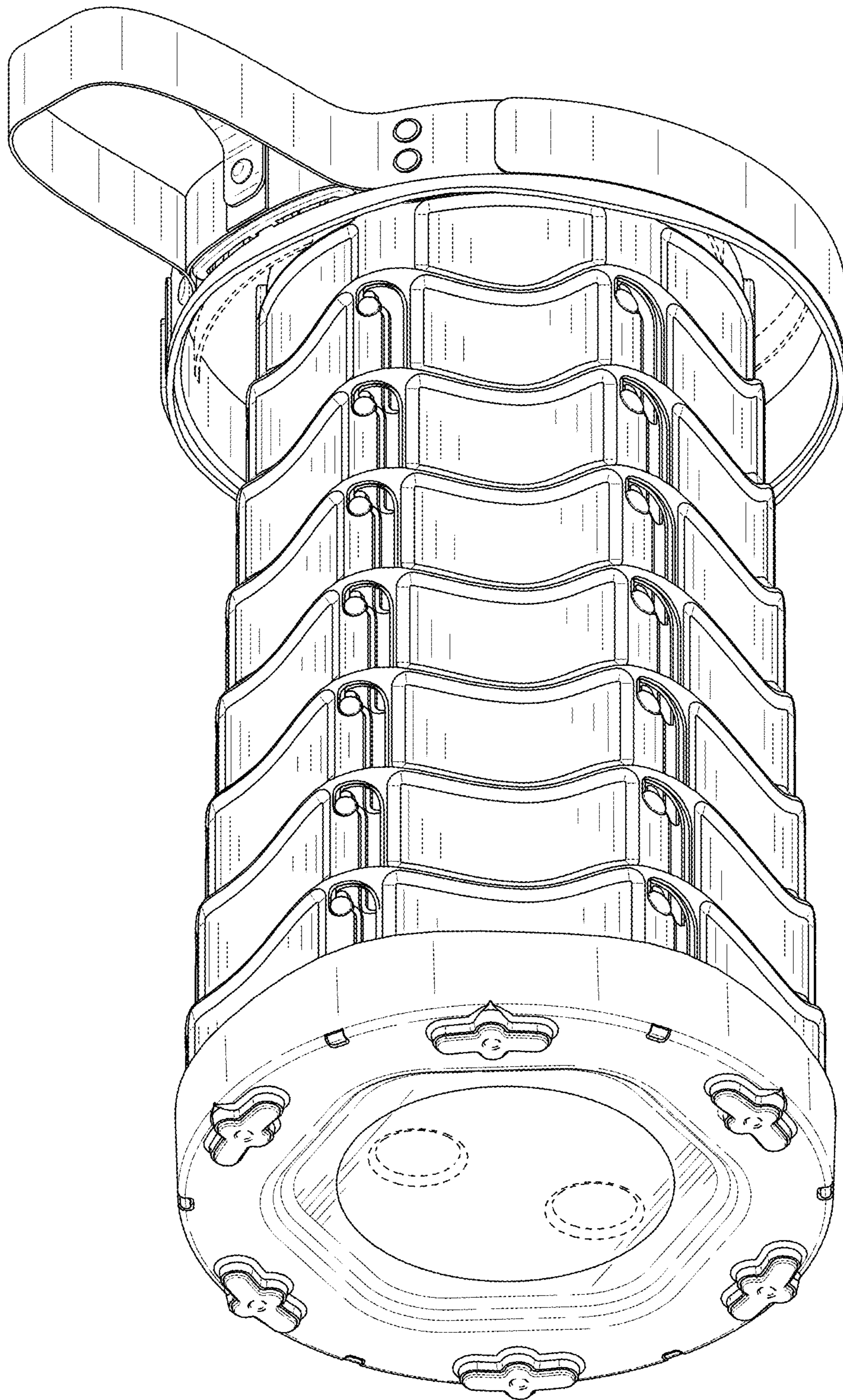


FIG. 2

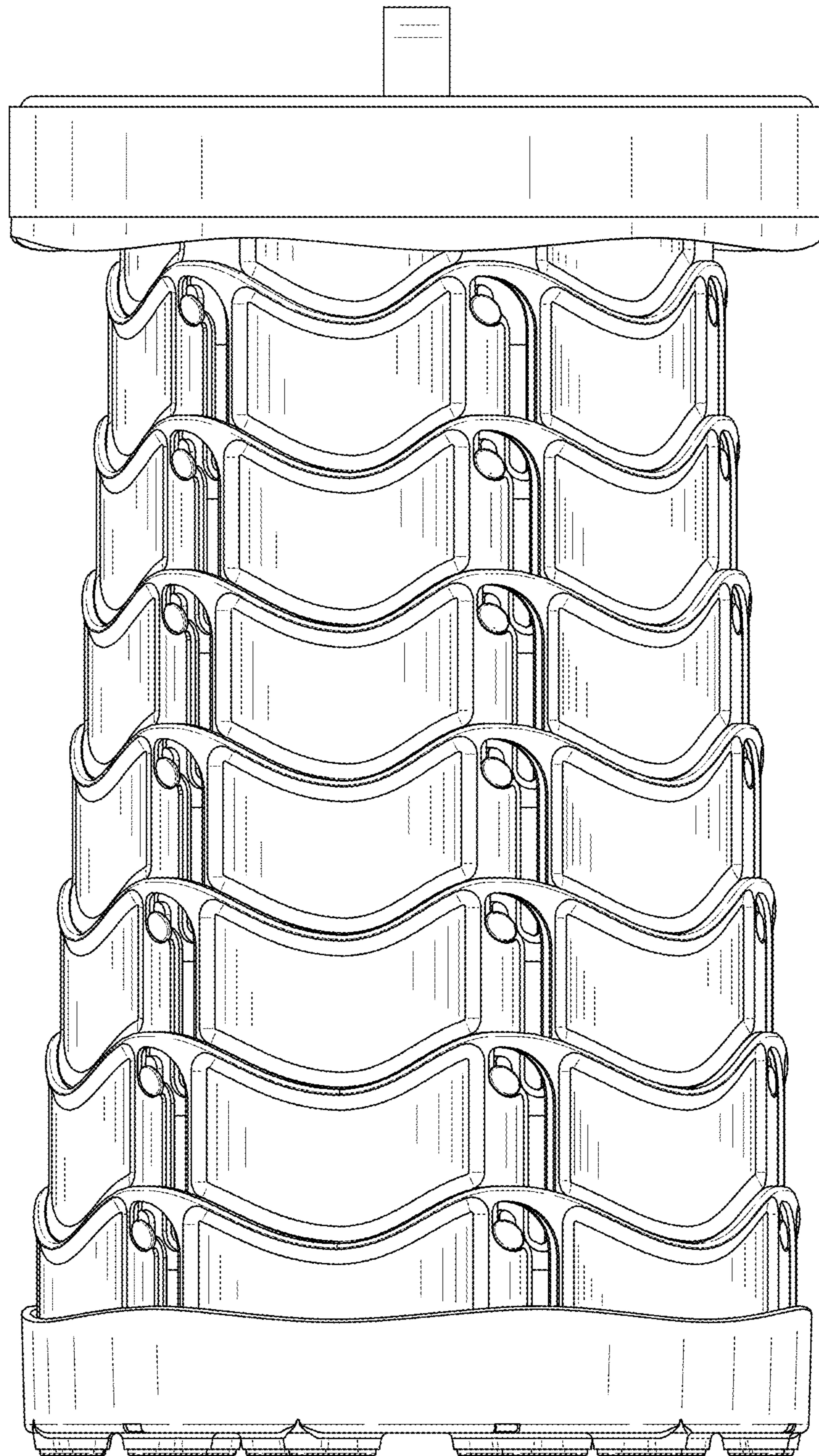


FIG. 3

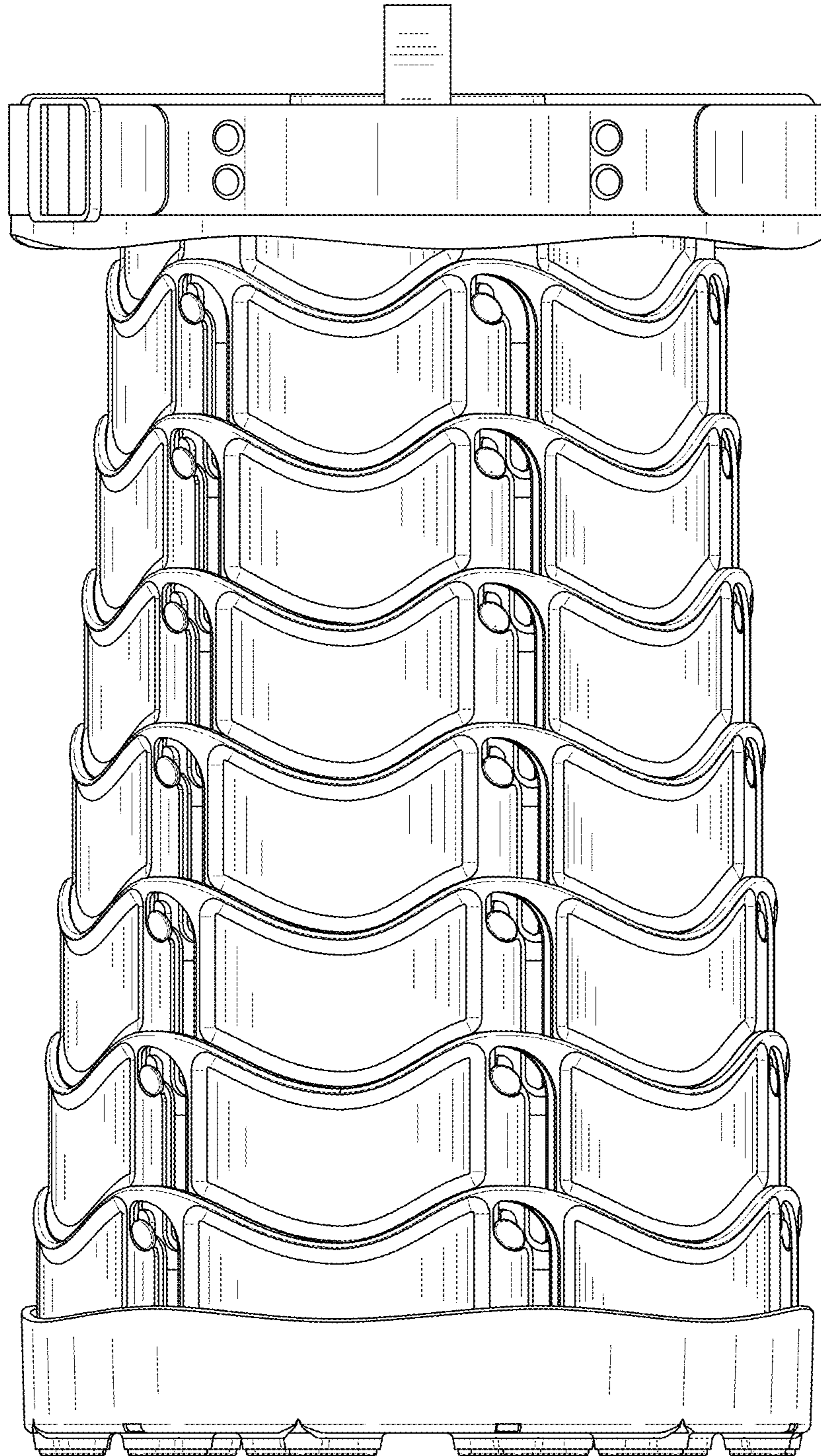


FIG. 4

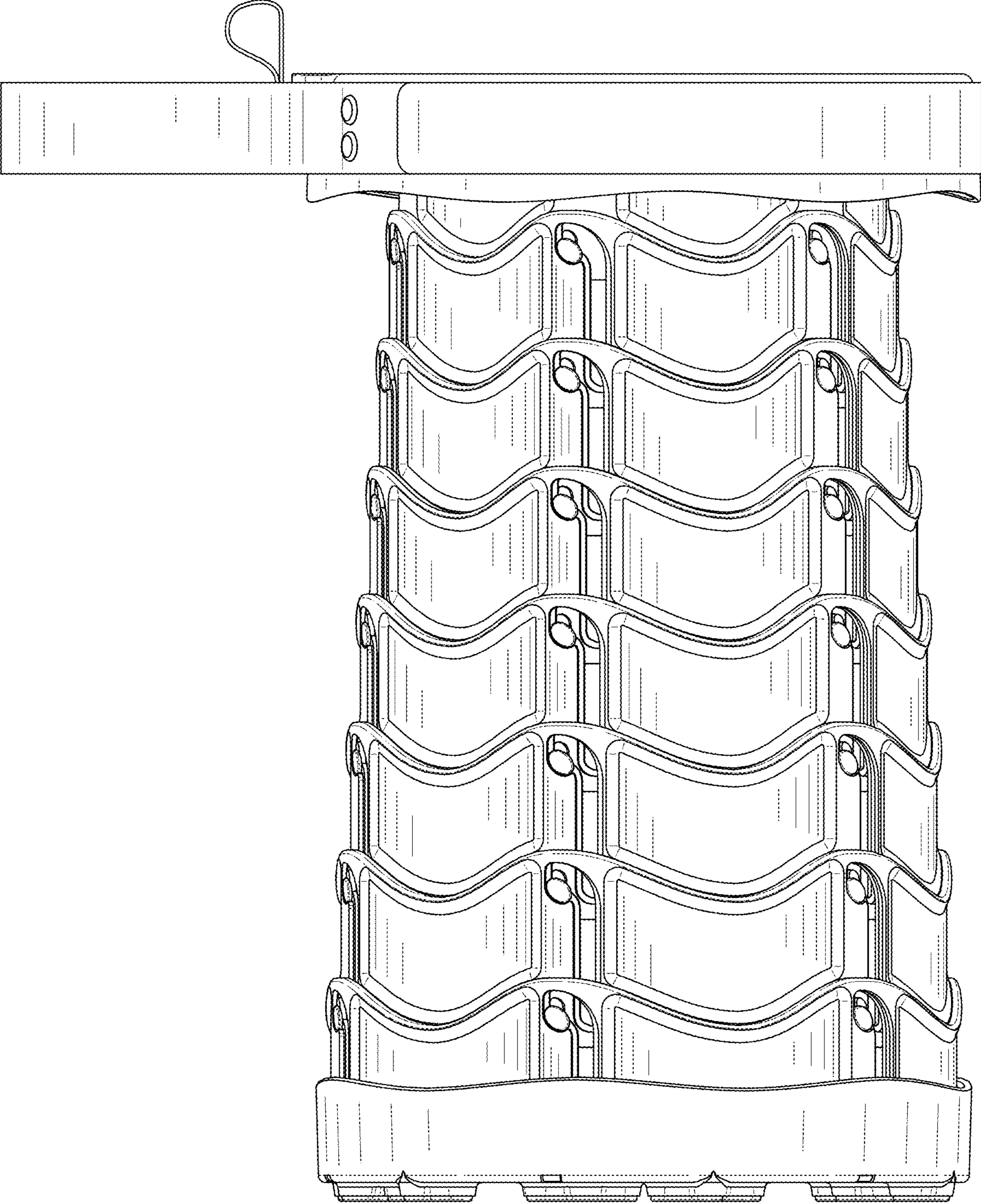


FIG. 5

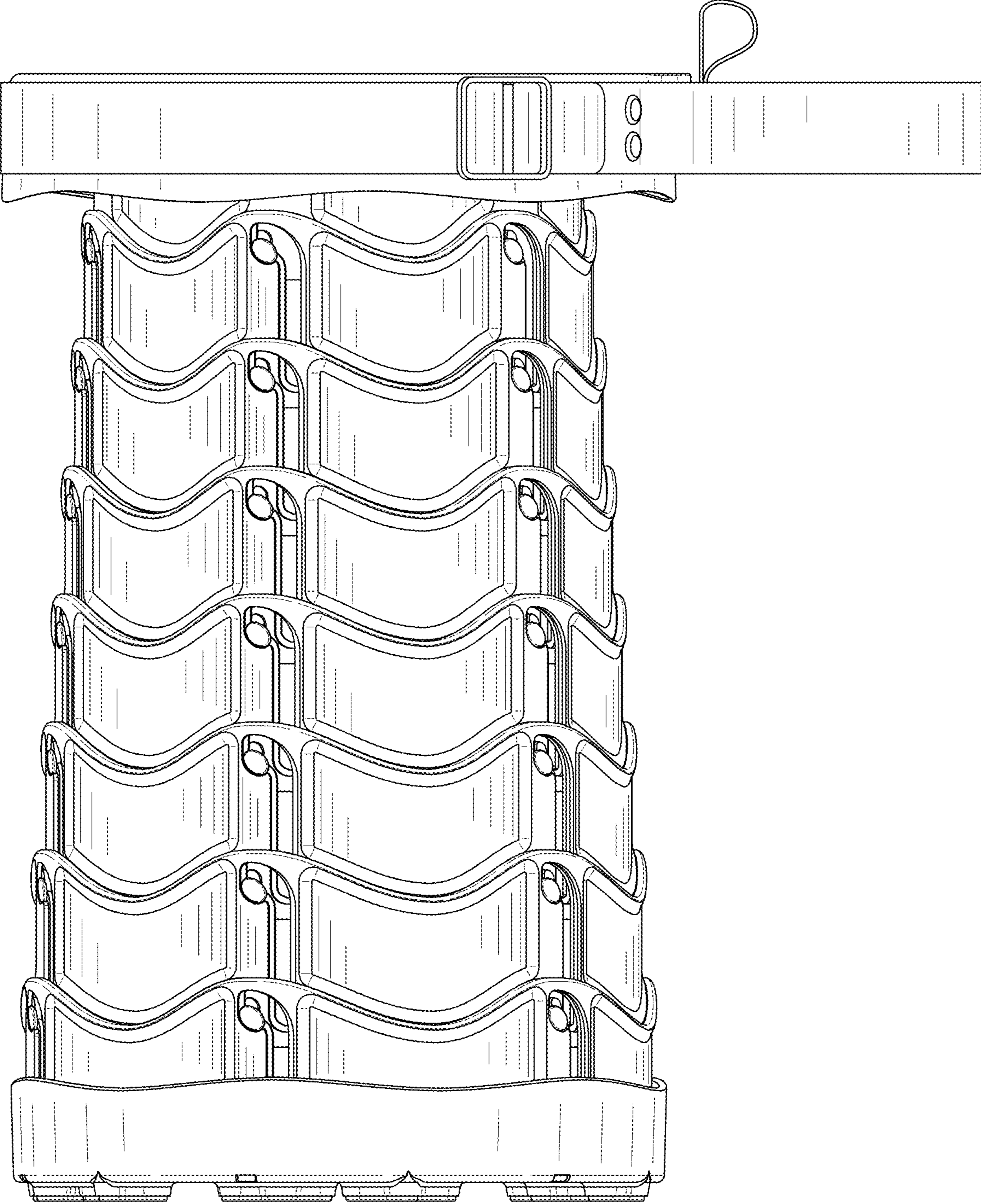


FIG. 6



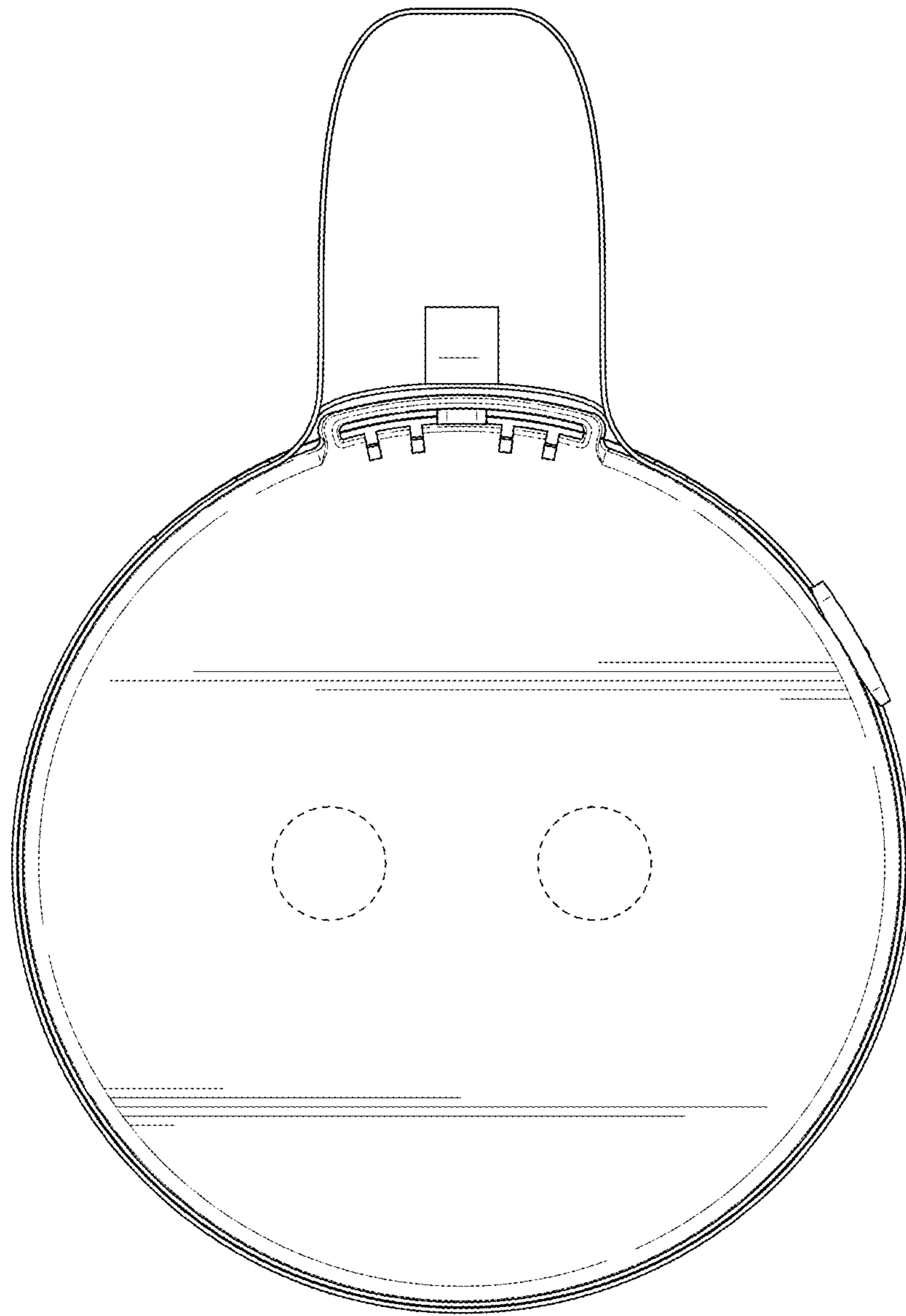


FIG. 7

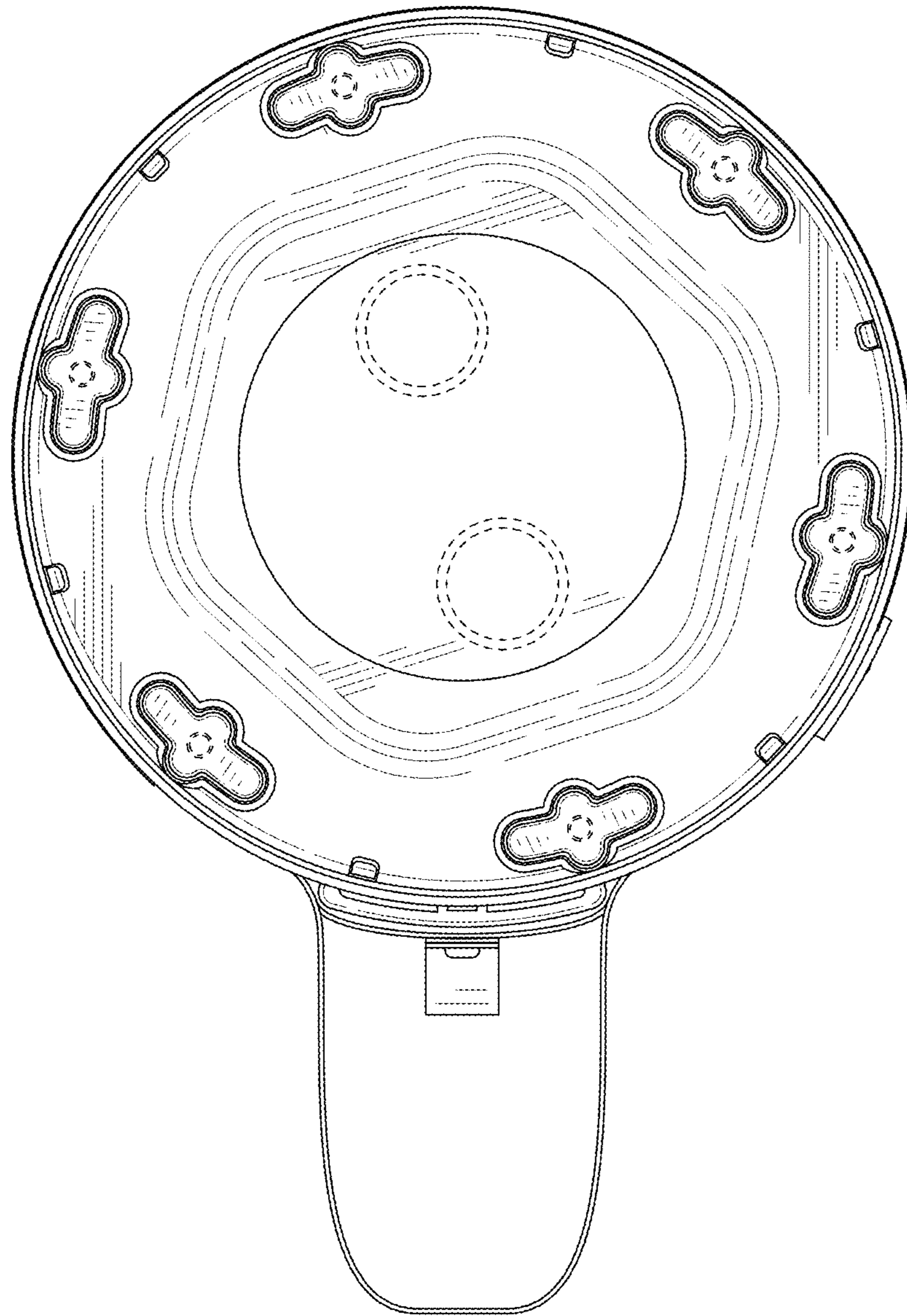


FIG. 8

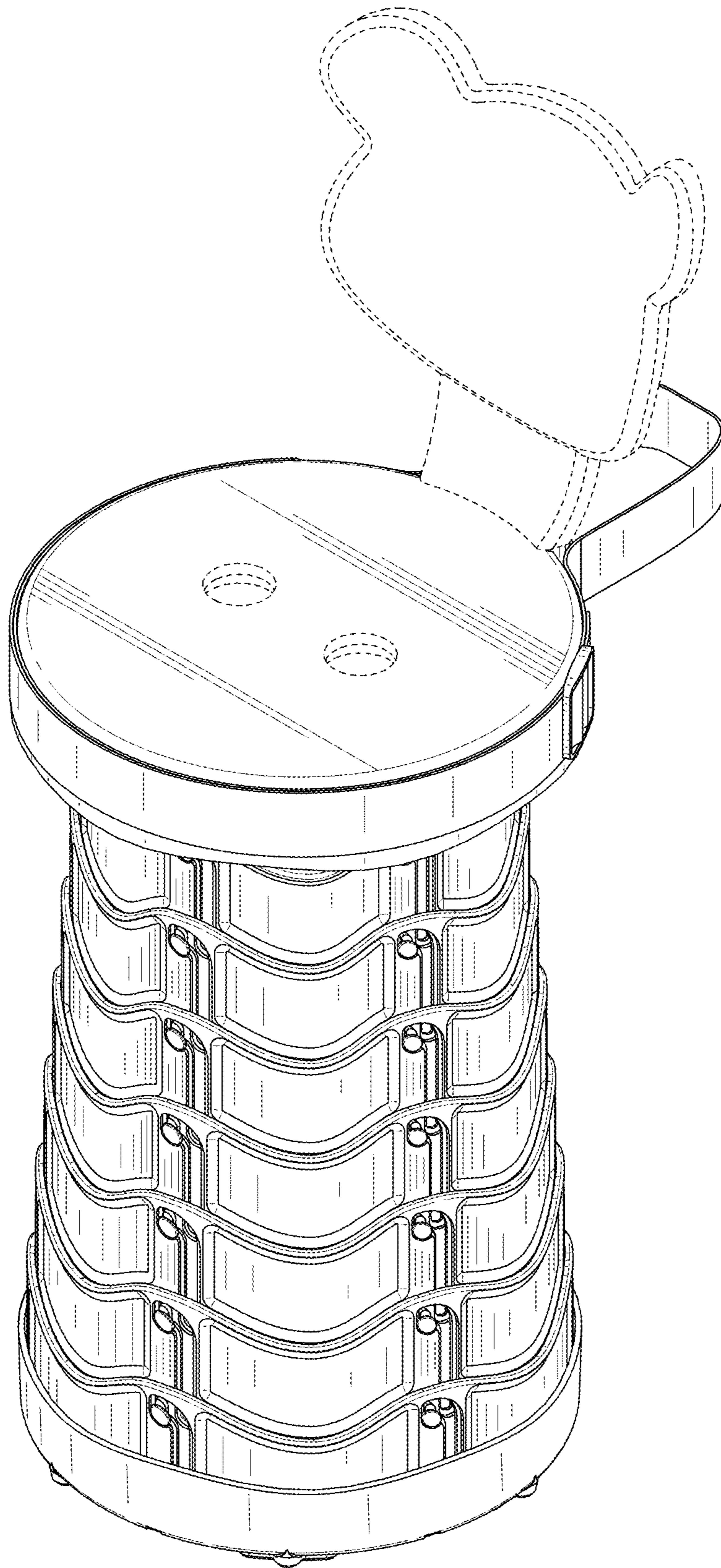


FIG. 9

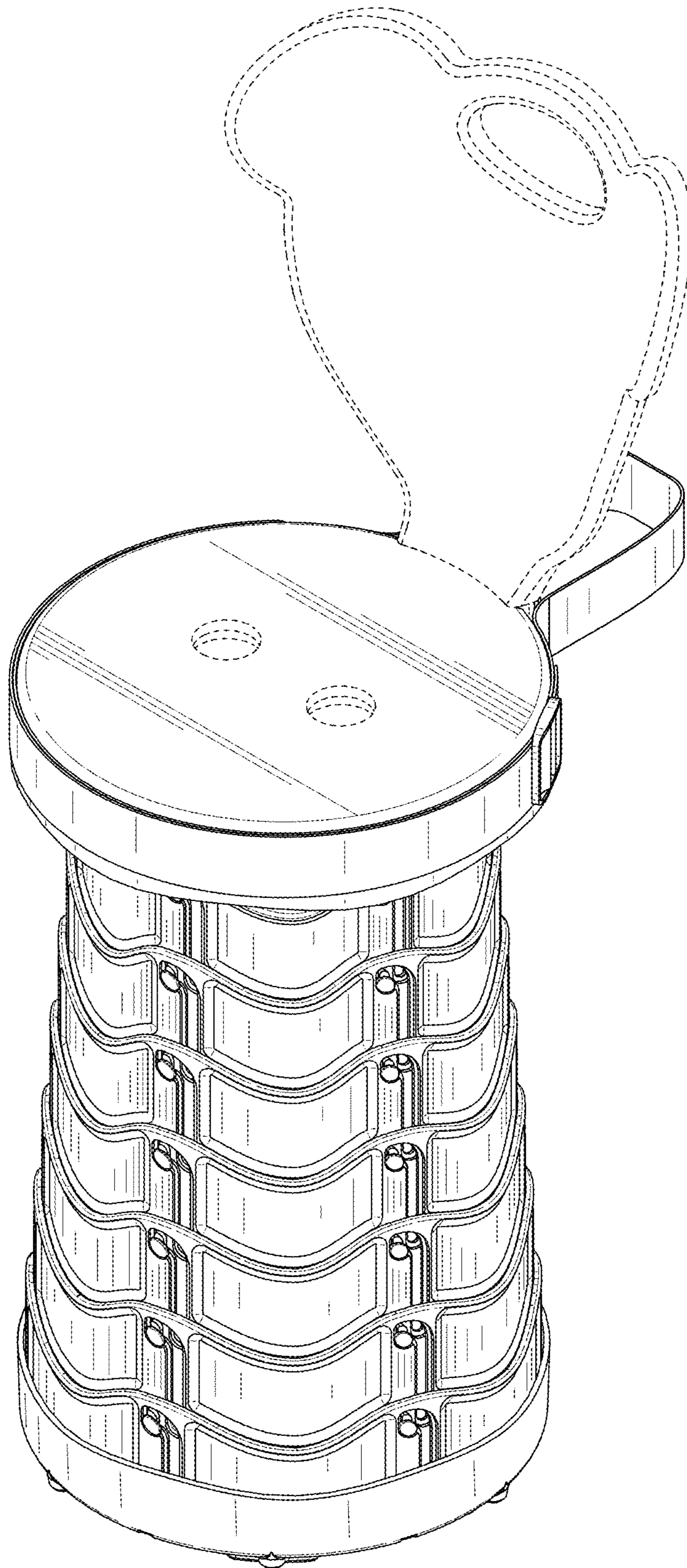


FIG. 10

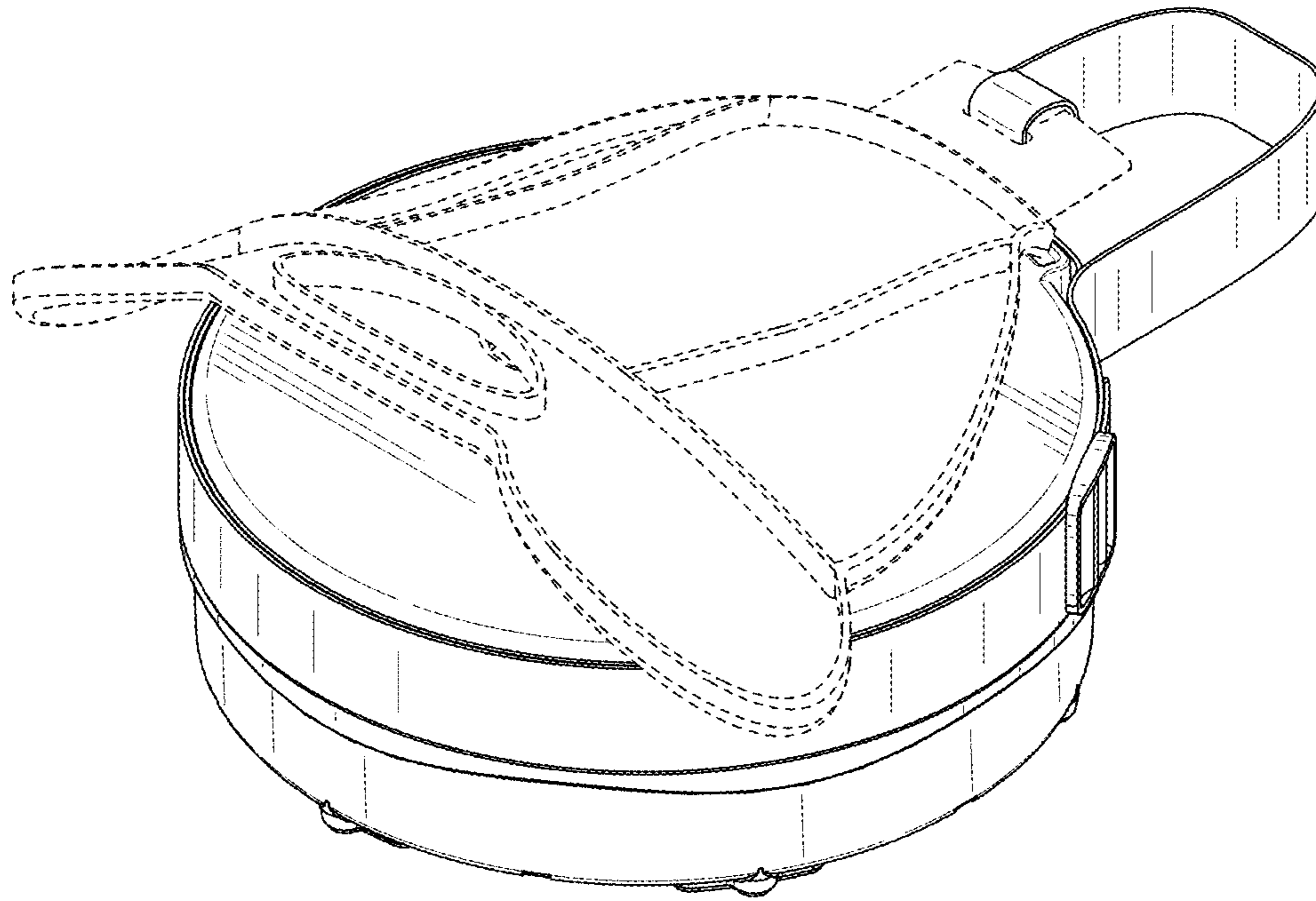


FIG. 11

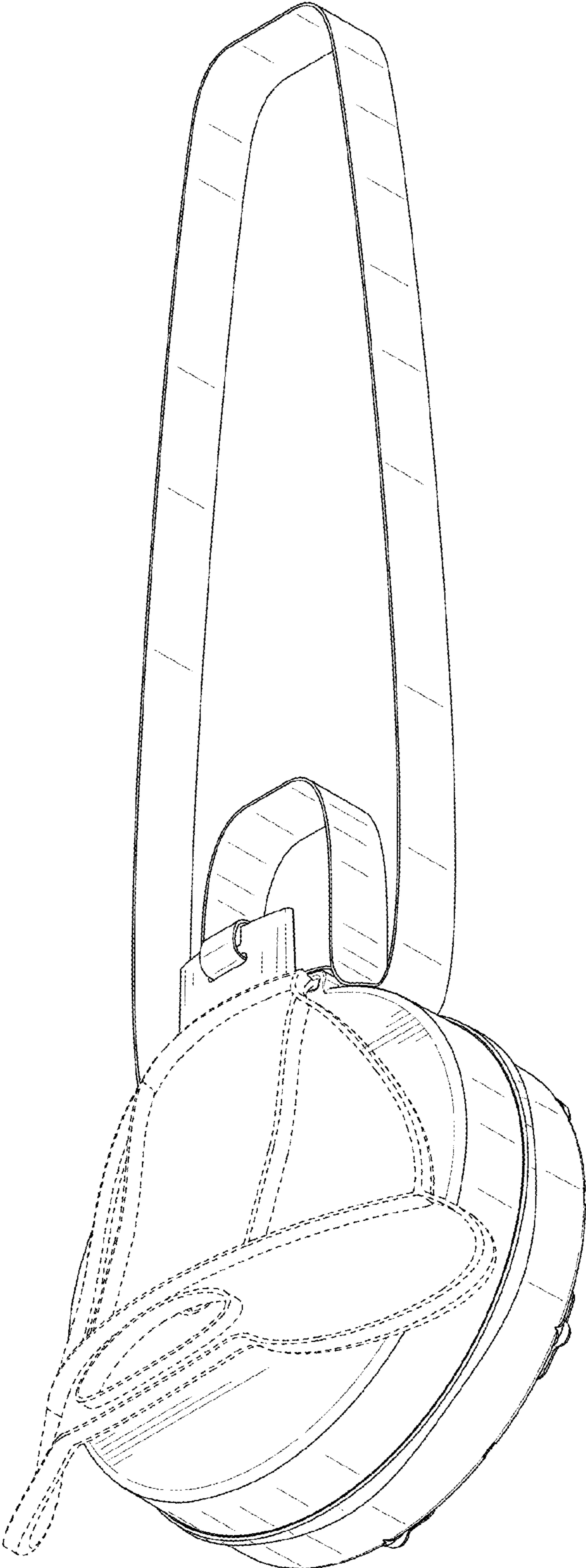


FIG. 12

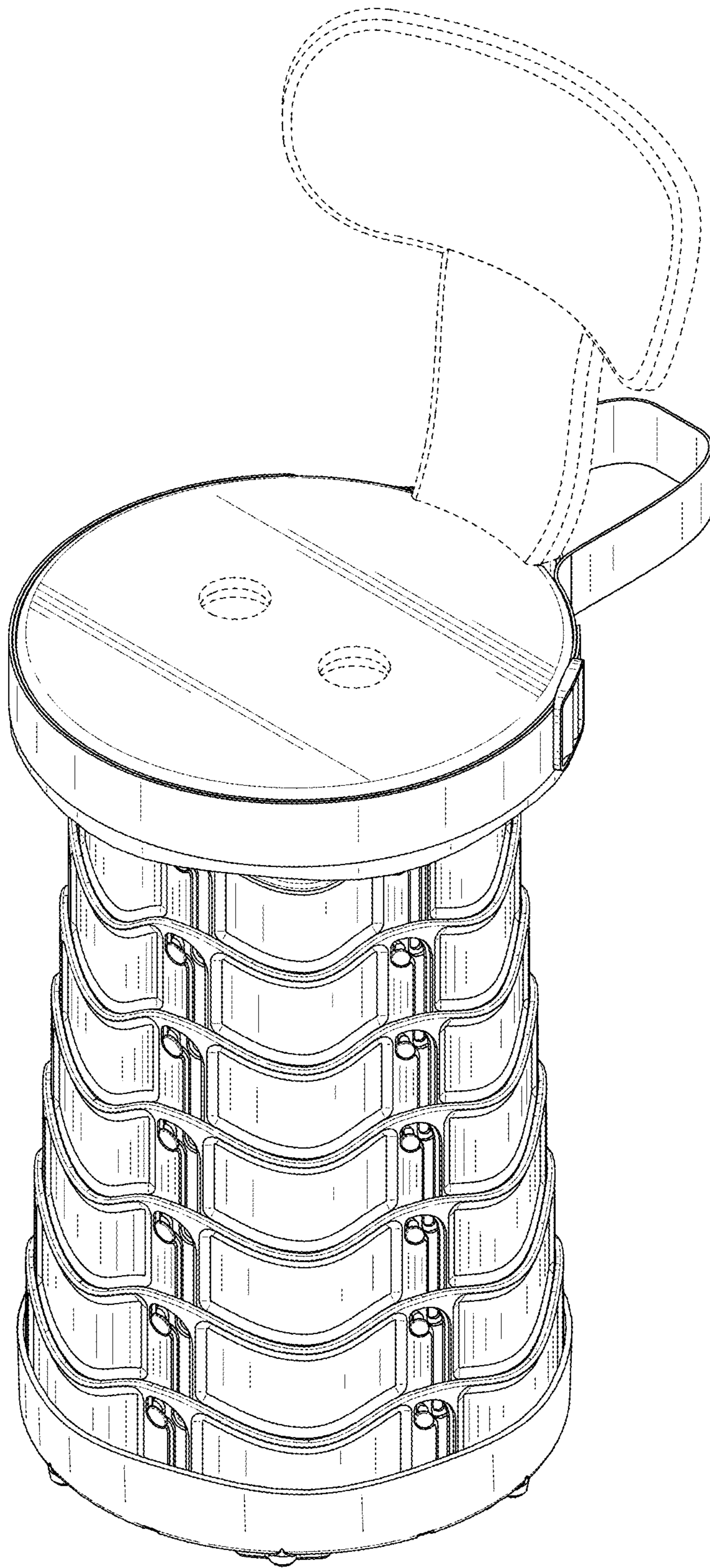


FIG. 13

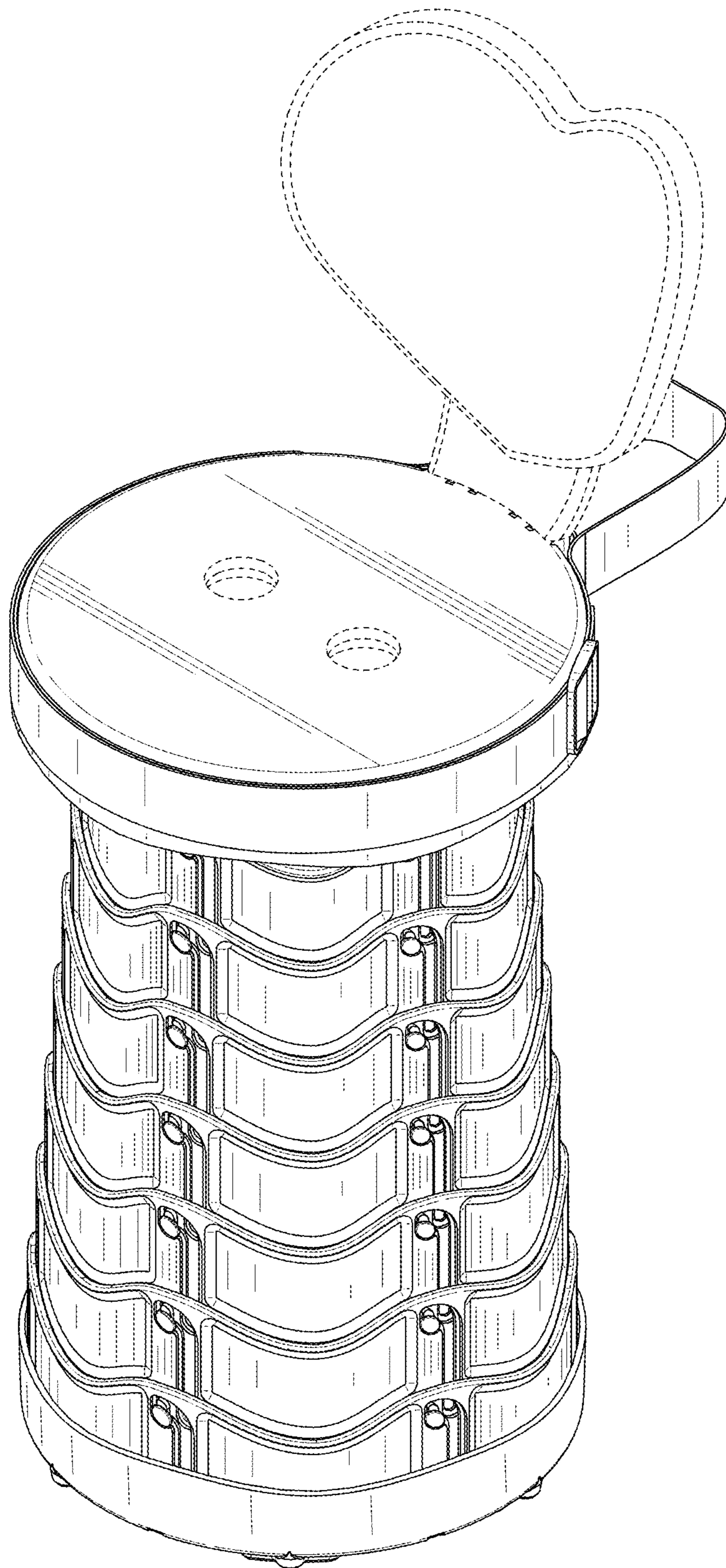


FIG. 14



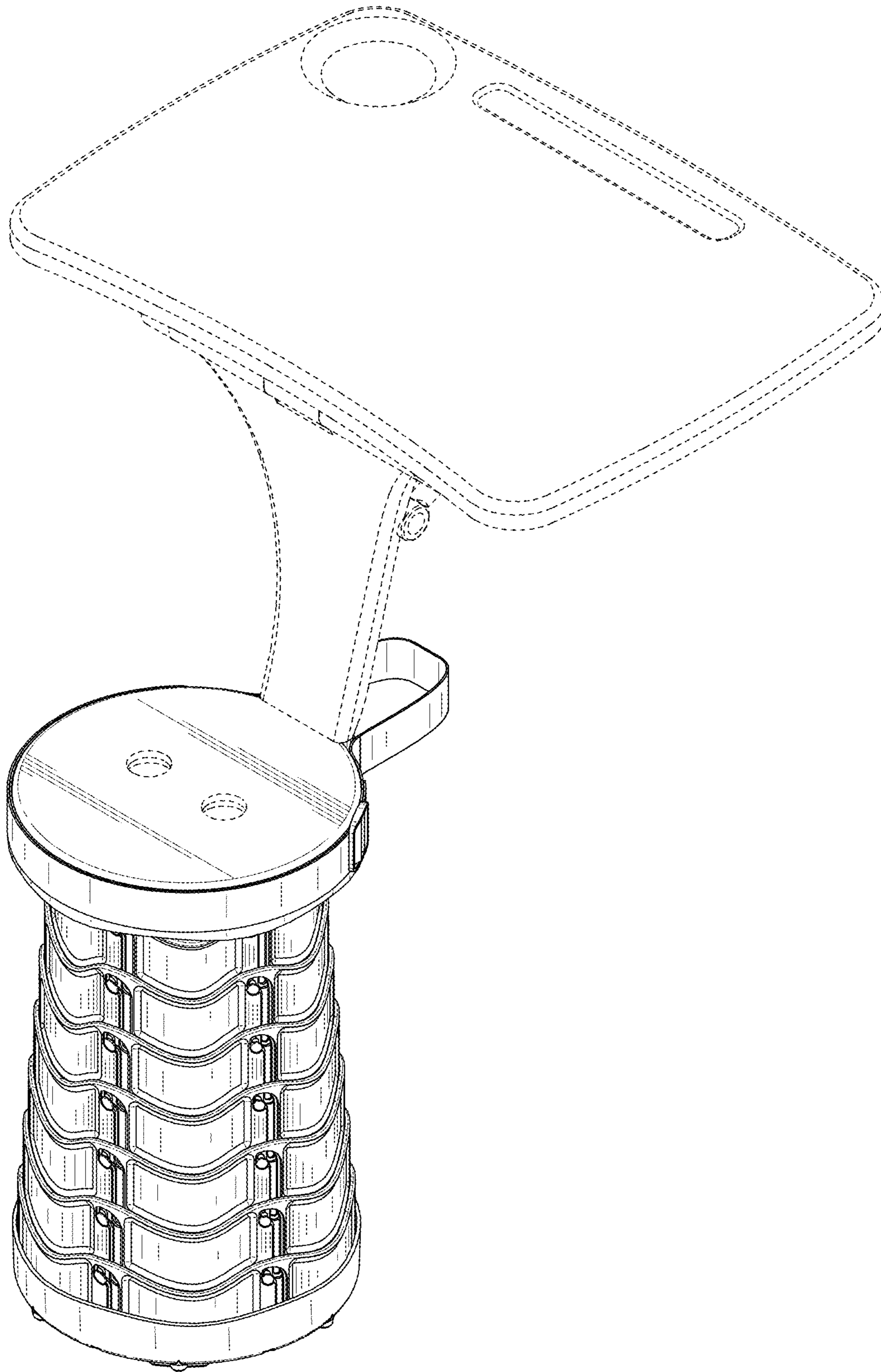


FIG. 15