



US00D899116S

(12) **United States Design Patent**
Wynants

(10) **Patent No.:** **US D899,116 S**

(45) **Date of Patent:** **** Oct. 20, 2020**

(54) **STOOL**

(71) Applicant: **Dirk Wynants**, Poperinge (BE)

(72) Inventor: **Dirk Wynants**, Poperinge (BE)

(**) Term: **15 Years**

(21) Appl. No.: **35/506,681**

(22) Filed: **Nov. 9, 2018**

(80) **Hague Agreement Data**

Int. Filing Date: **Nov. 9, 2018**

Int. Reg. No.: **DM/200099**

Int. Reg. Date: **Nov. 9, 2018**

Int. Reg. Pub. Date: **Feb. 22, 2019**

(30) **Foreign Application Priority Data**

May 9, 2018 (EM) 005263514-0002

(51) **LOC (12) Cl.** **06-01**

(52) **U.S. Cl.**
USPC **D6/349**

(58) **Field of Classification Search**

USPC D6/334, 349, 350, 355

CPC A47C 3/00; A47C 3/04; A47C 3/18; A47C
5/00; A47C 5/04; A47C 5/12; A47C 7/00;
A47C 7/02; A47C 7/16; A47C 9/00

See application file for complete search history.

(56) **References Cited**

U.S. PATENT DOCUMENTS

D176,880 S * 2/1956 Phillips D6/349

D201,434 S * 6/1965 Melchior D6/349

D287,669 S * 1/1987 Opsvik D6/330
D670,926 S * 11/2012 Ukmar D6/349
D720,161 S * 12/2014 Udagawa D6/656.13
D780,492 S * 3/2017 Terada D6/349
D814,814 S * 4/2018 Spoelhof D6/349

OTHER PUBLICATIONS

Mid Century Modern Chrome Bar Stools—1stdibs Date of Manufactures circa 1960s https://www.1stdibs.com/furniture/seating/stools/pair-of-mid-century-modern-chrome-bar-stools/id-f_2719922/ retrieved from the internet on Nov. 27, 2019.*

* cited by examiner

Primary Examiner — Mary Ann Calabrese

(57) **CLAIM**

The ornamental design for stool, as shown and described.

DESCRIPTION

1.1 is a front perspective view of a stool;

1.2 is a top view thereof;

1.3 is a front view thereof;

1.4 is a side view thereof;

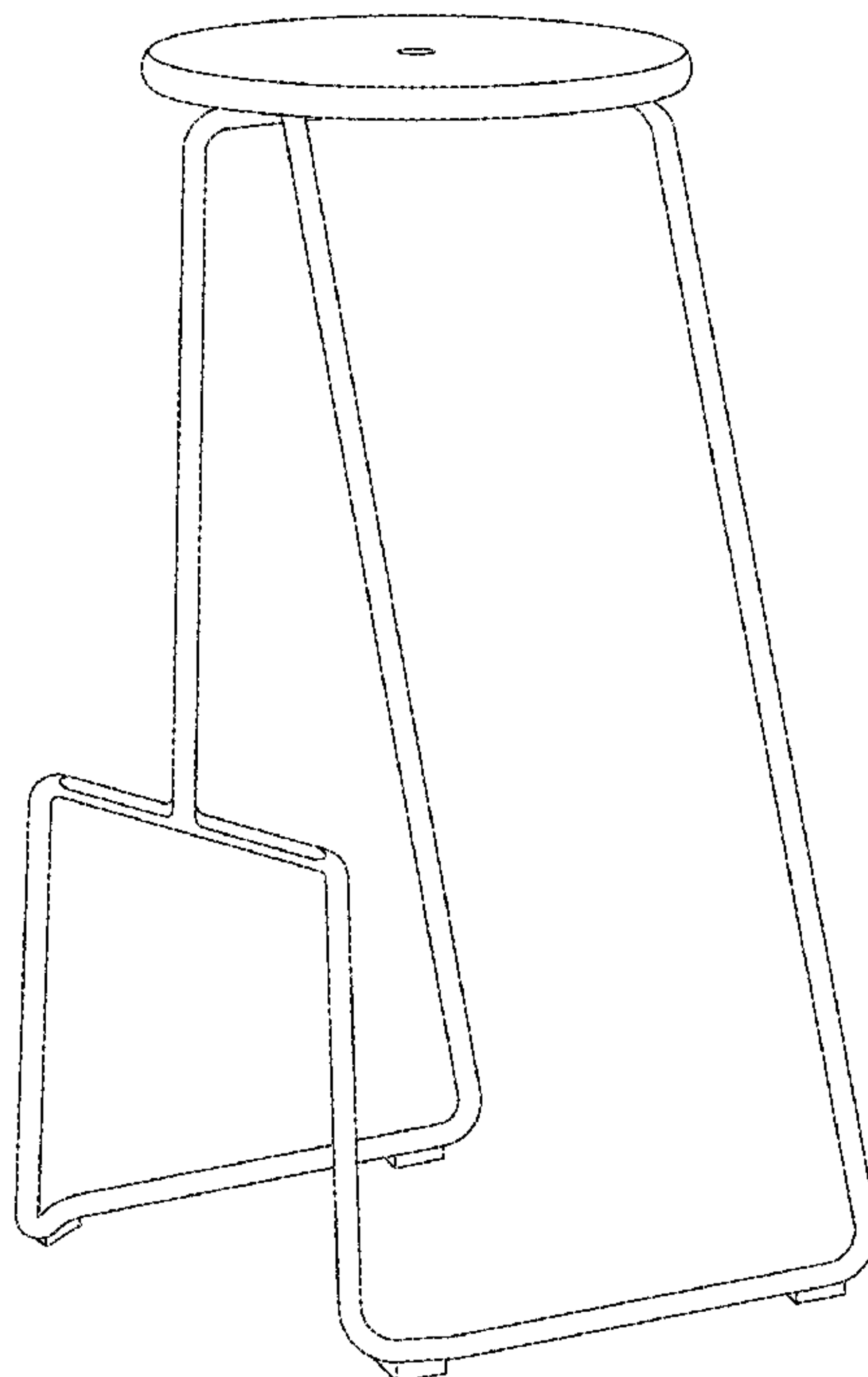
1.5 is a bottom view thereof;

1.6 is a side view thereof, shown stacked; and,

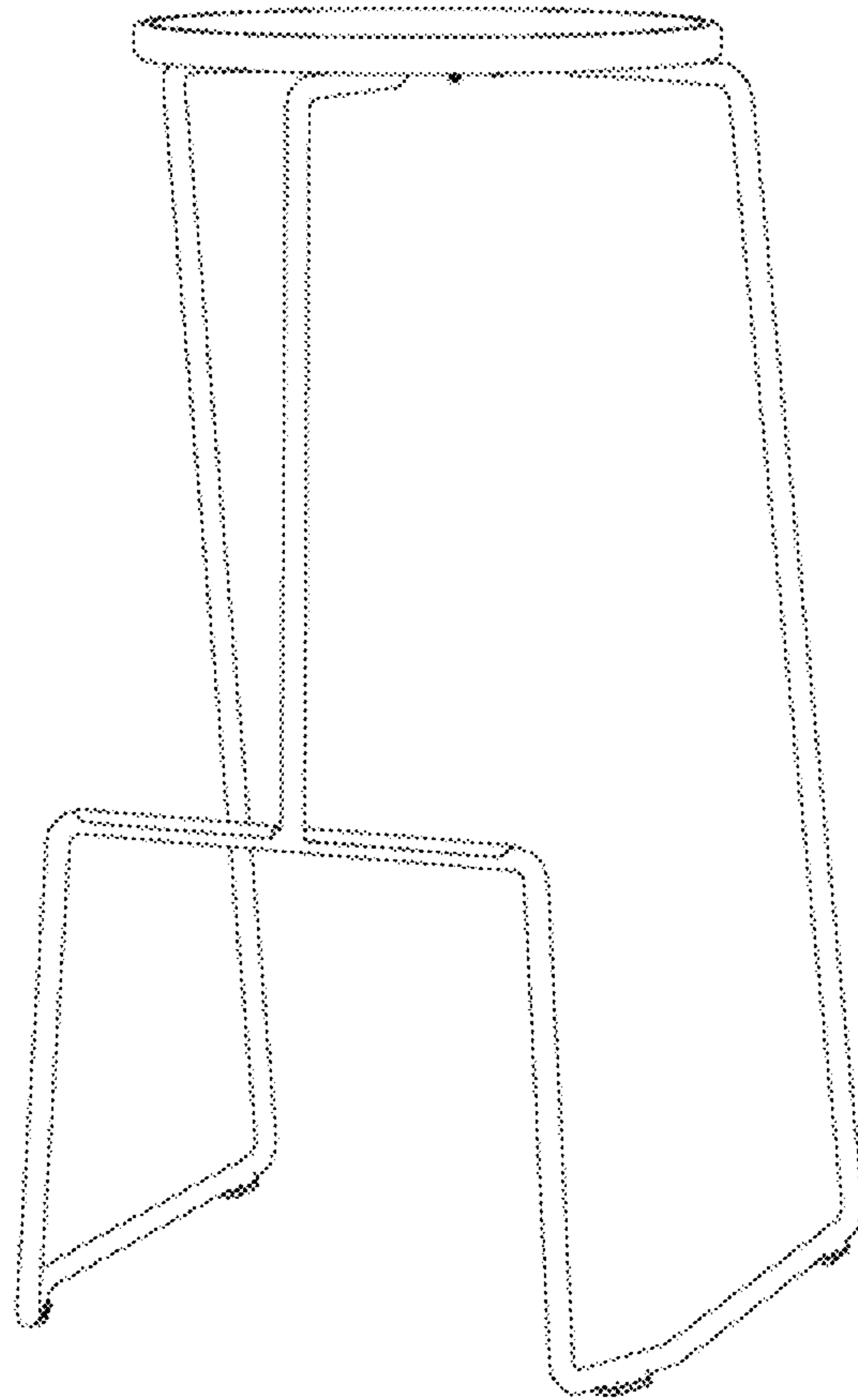
1.7 is an alternate perspective view thereof.

In the drawings, the broken lines showing additional stools illustrate the environment in which the stool is used and forms no part of the claimed design.

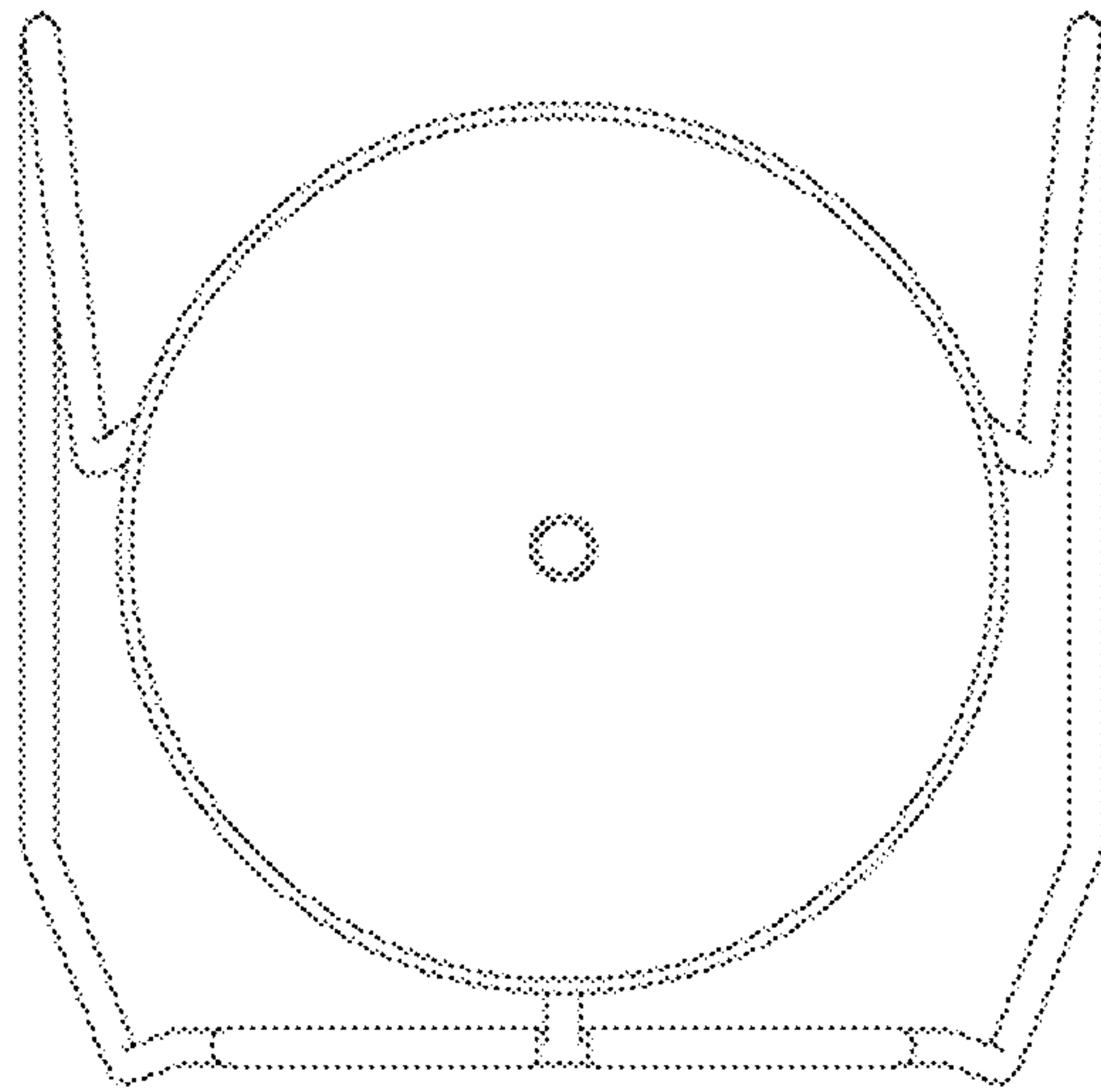
1 Claim, 7 Drawing Sheets



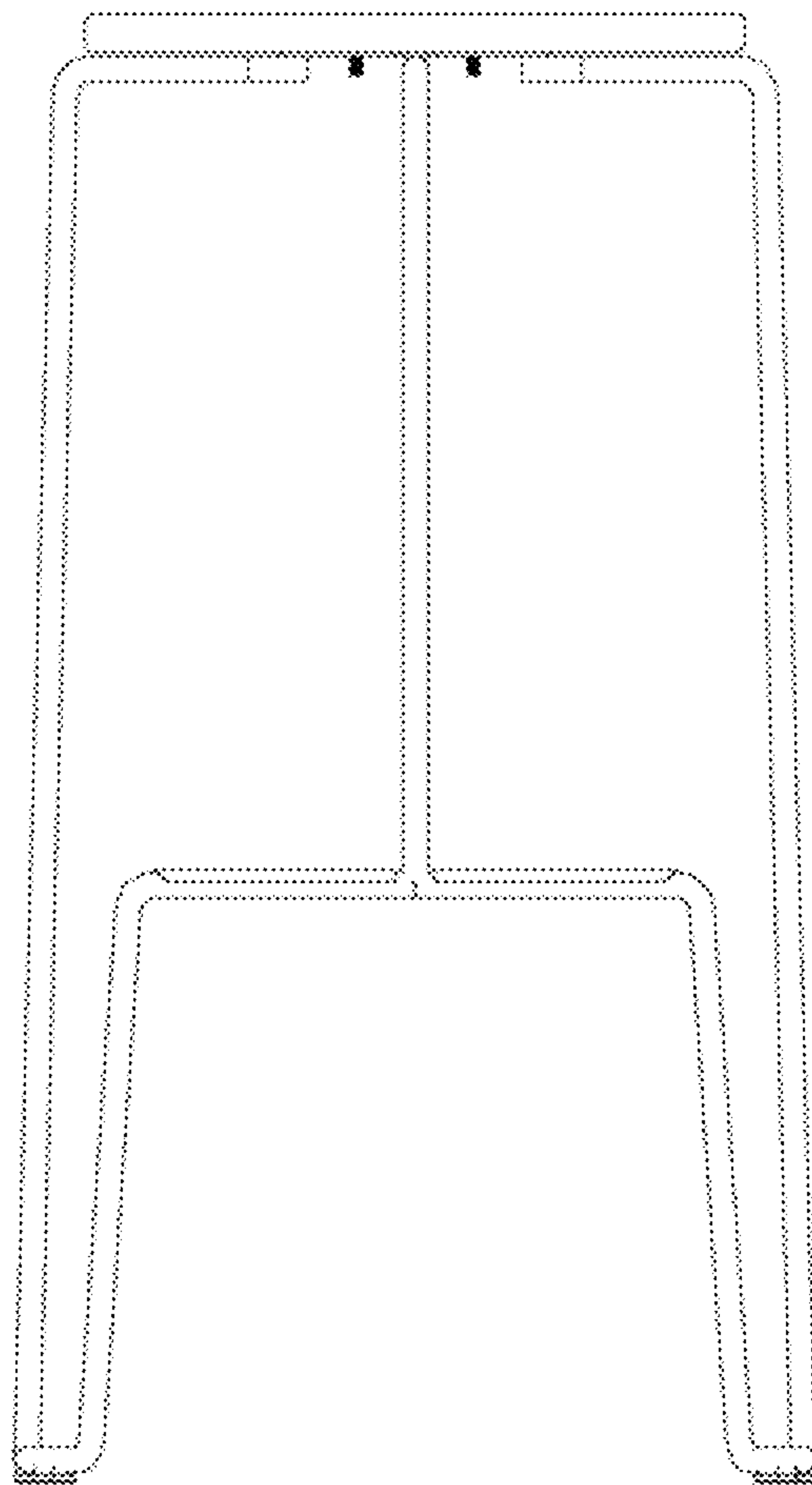
1.1



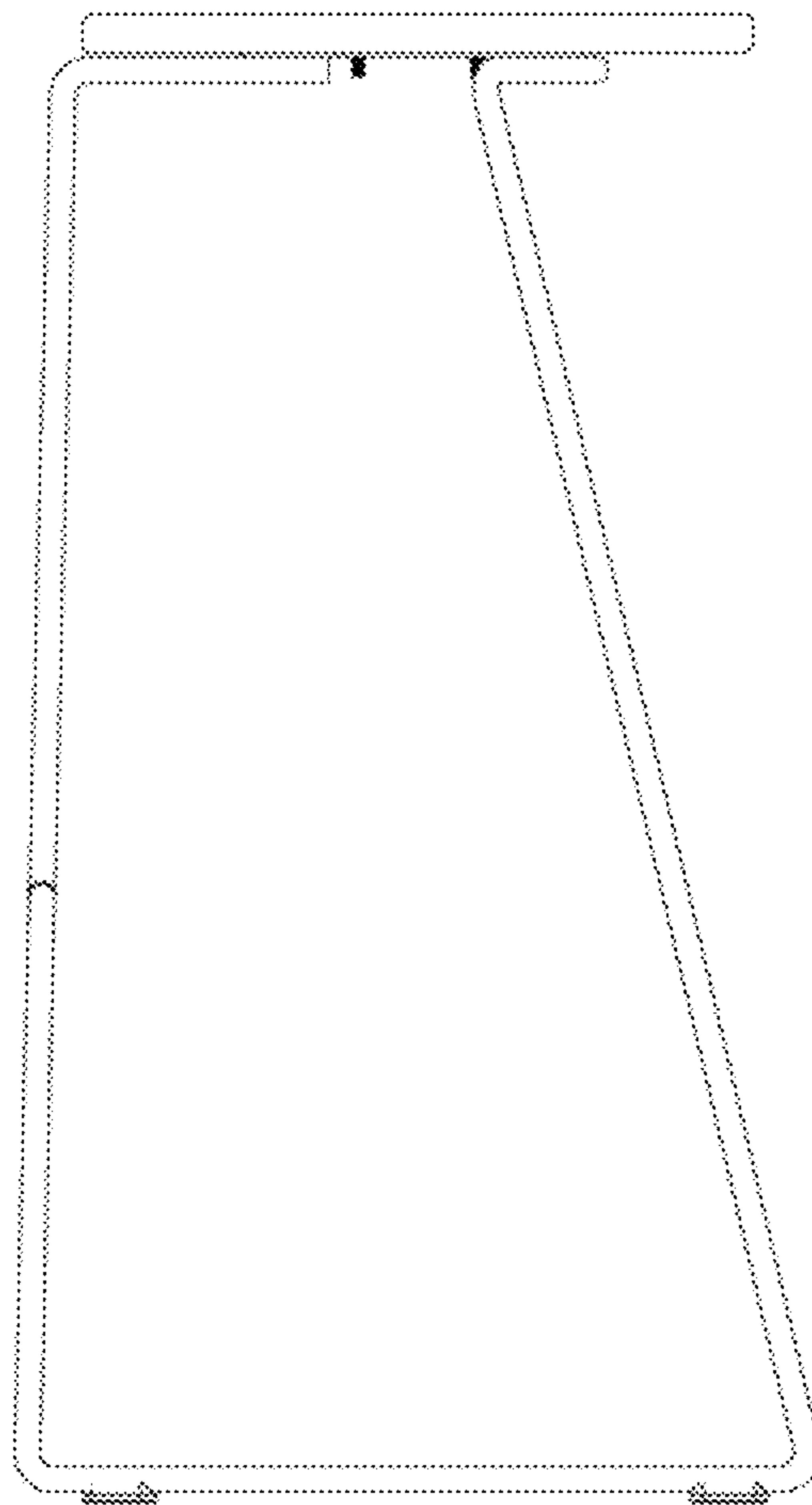
1.2

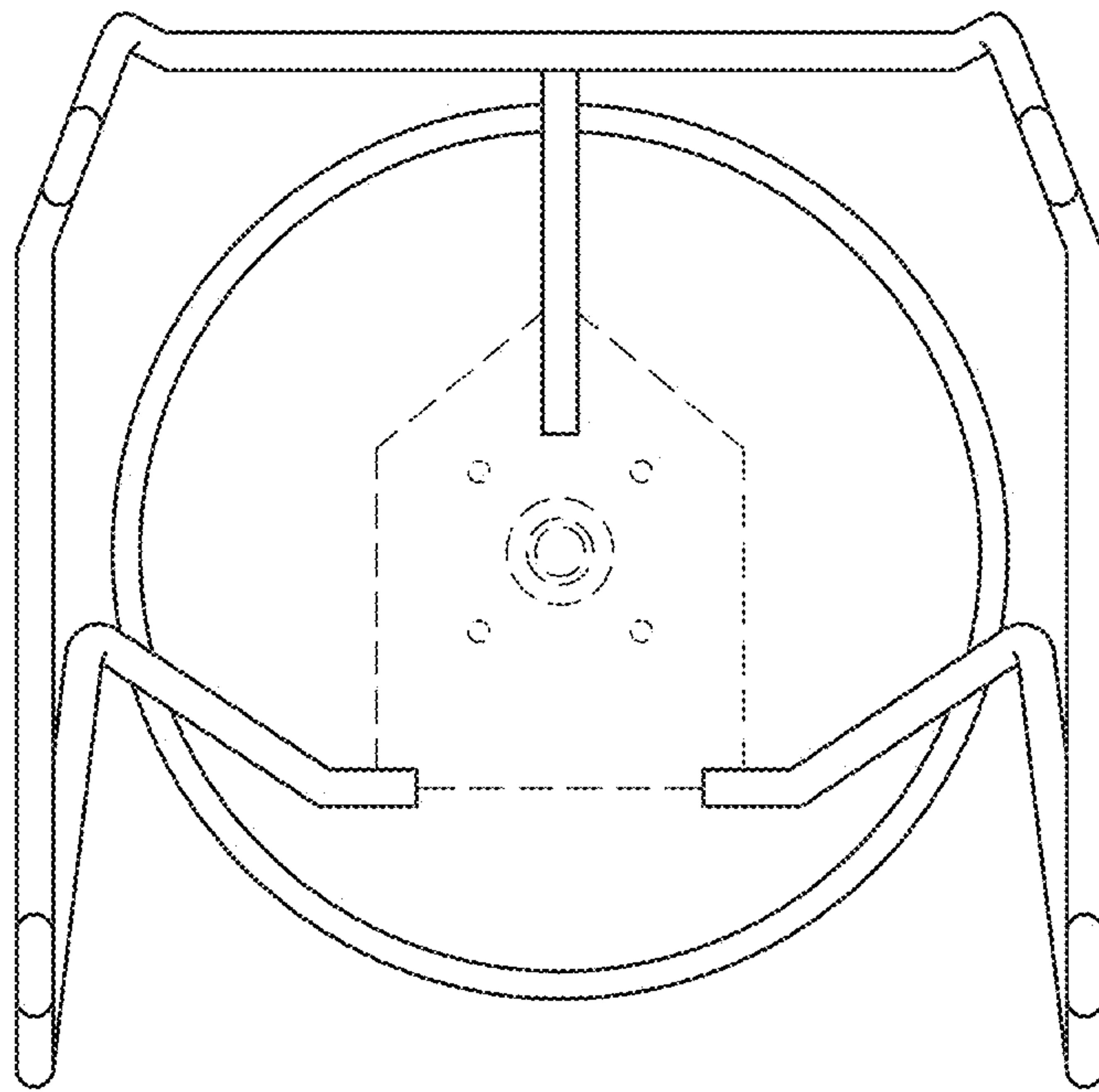


1.3



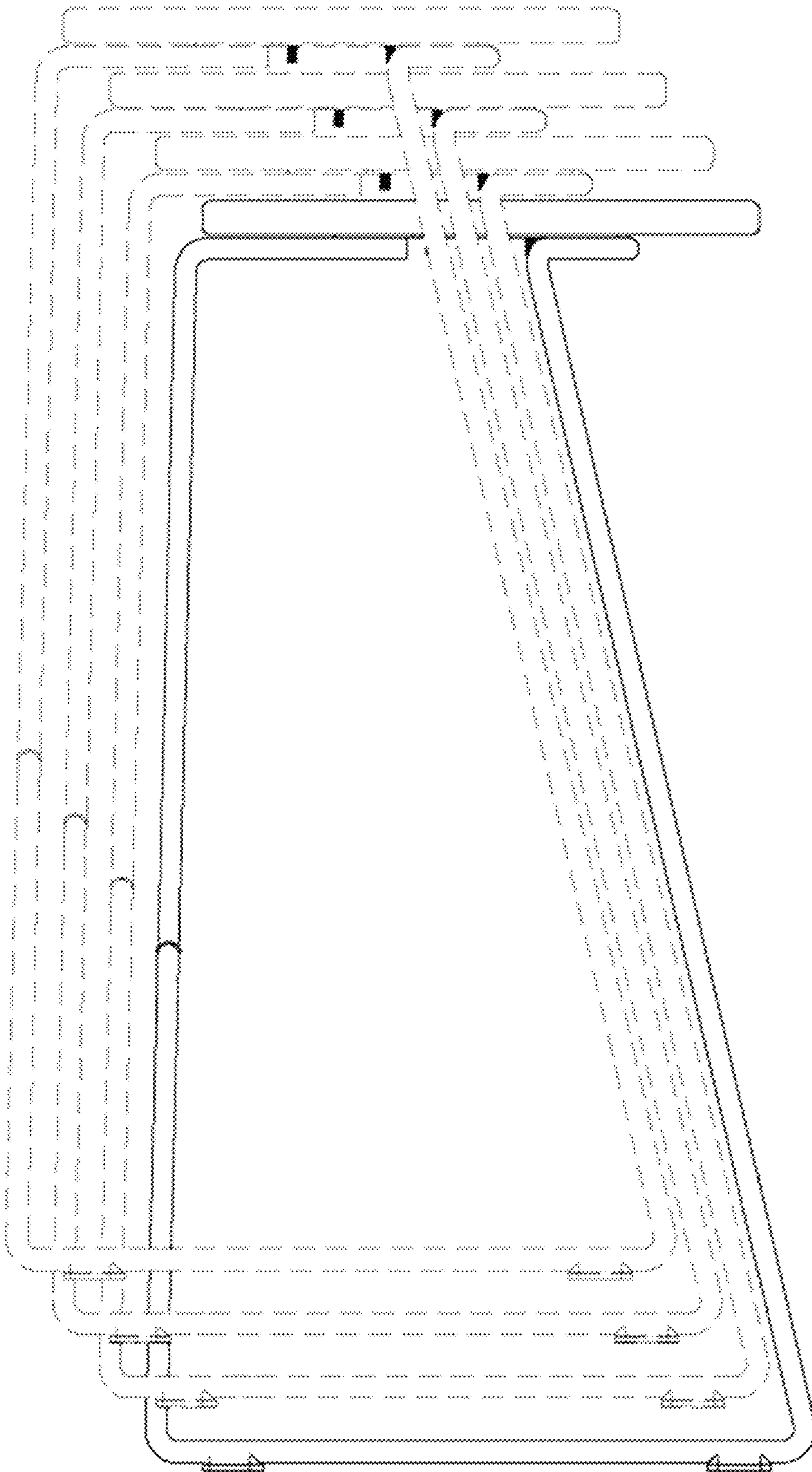
1.4

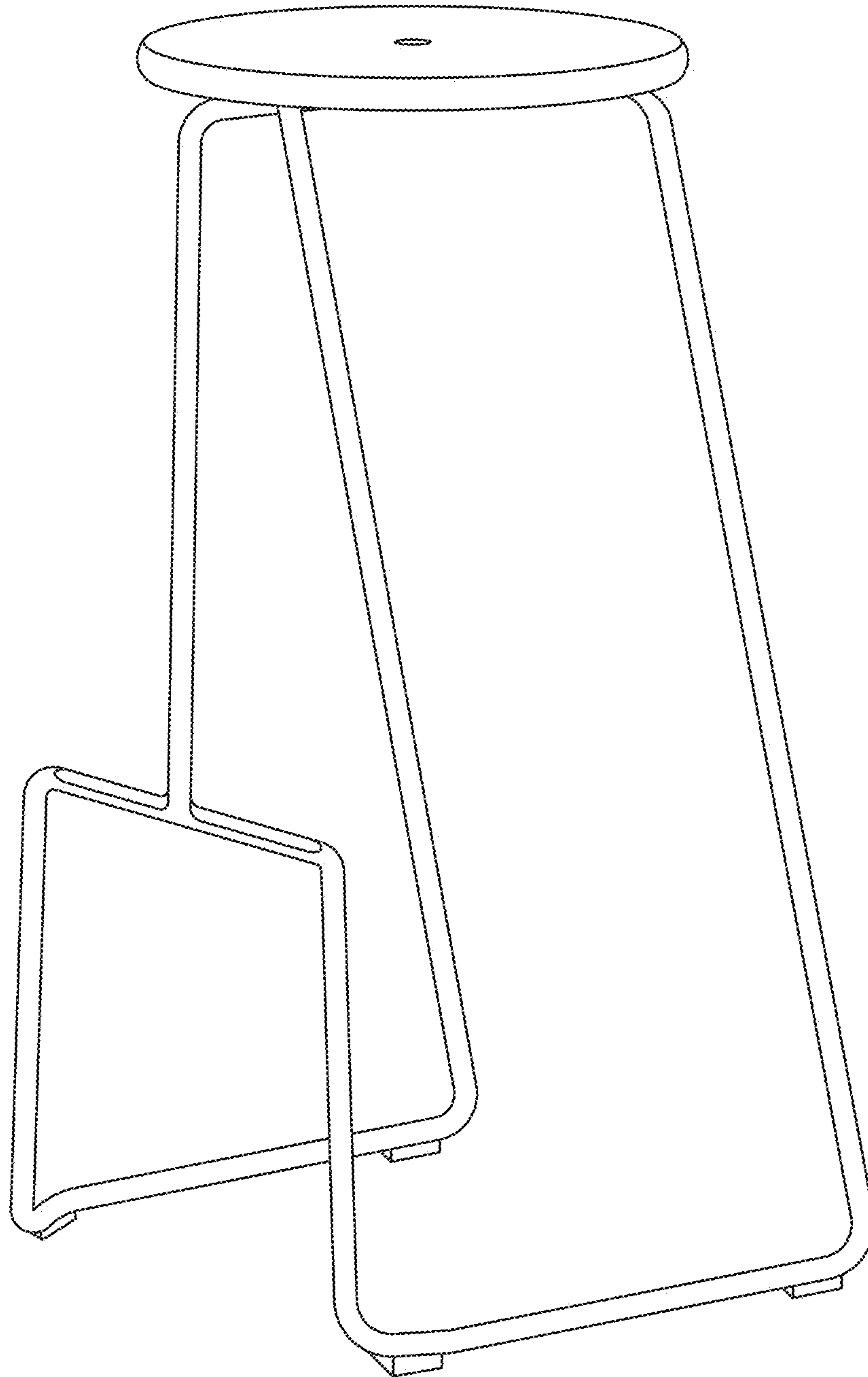




1.5

1.6





1.7