



US00D899113S

(12) **United States Design Patent** (10) **Patent No.:** **US D899,113 S**  
**Lee** (45) **Date of Patent:** **\*\* Oct. 20, 2020**

(54) <b>ROCKING CHAIR</b>	794,999 A * 7/1905 Motter ..... A47C 3/029 416/58
(71) Applicant: <b>JBL INTERNATIONAL, INC,</b> Houston, TX (US)	D37,507 S * 8/1905 Stickleby ..... D6/370 D40,588 S * 3/1910 Voncanon ..... D6/348 1,287,109 A * 12/1918 Rosenson ..... A47C 3/029 416/58
(72) Inventor: <b>Lawrence K. Lee, Houston, TX (US)</b>	2,490,884 A * 12/1949 Rau ..... A47C 4/027 297/440.15
(73) Assignee: <b>JBL INTERNATIONAL, INC,</b> Houston, TX (US)	D267,055 S * 11/1982 Cabbage, Jr. .... D6/348 D276,672 S * 12/1984 Giorgetti ..... D6/370 D350,652 S * 9/1994 Wegener ..... D6/370 D617,108 S * 6/2010 Niermeyer ..... D6/368
(**) Term: <b>15 Years</b>	(Continued)

(21) Appl. No.: **29/660,672**

(22) Filed: **Aug. 22, 2018**

(51) **LOC (12) Cl.** ..... **06-01**

(52) **U.S. Cl.**  
USPC ..... **D6/348**

(58) **Field of Classification Search**  
USPC ..... D6/347, 348, 361, 716, 718, 344, 373,  
D6/375, 379, 380, 330, 334, 335, 366,  
D6/369, 372, 385, 708.16, 358, 377, 370,  
D6/717; D12/52; D21/412, 688;  
D24/183, 200  
CPC ..... A45F 3/22; A45F 3/24; A45F 3/26; A47D  
13/10; A47D 13/105; A47D 9/02; A47C  
1/14; A47C 3/0255; A47C 3/029; A47C  
3/027; A47C 3/02; A47C 3/04; A47C  
3/34; A47C 4/02; A47C 4/03; A47C 4/04;  
A47C 5/12; A47C 7/52; A47C 7/506;  
A47C 9/007; A47C 15/008; A47C 17/84;  
A47C 31/00; A63G 9/00; A63G 9/02;  
Y10S 135/909; Y10T 403/32409

See application file for complete search history.

(56) **References Cited**

**U.S. PATENT DOCUMENTS**

45,302 A *	11/1864	Strawbridge	.....	A47C 3/029 297/272.2
755,423 A *	3/1904	Williamson	.....	A47C 3/029 297/272.3

**OTHER PUBLICATIONS**

“Deluxe Deck Chair—Blue/Black” Jun. 3, 2016, hardy-lawn-furniture.com, site visited Jun. 30, 2020 <<https://hardy-lawn-furniture.com/media/.gallery/main68.jpg>> (Year: 2016).\*

*Primary Examiner* — Kevin K Rudzinski  
*Assistant Examiner* — Paul D Bohannon  
(74) *Attorney, Agent, or Firm* — Egbert Law Offices, PLLC

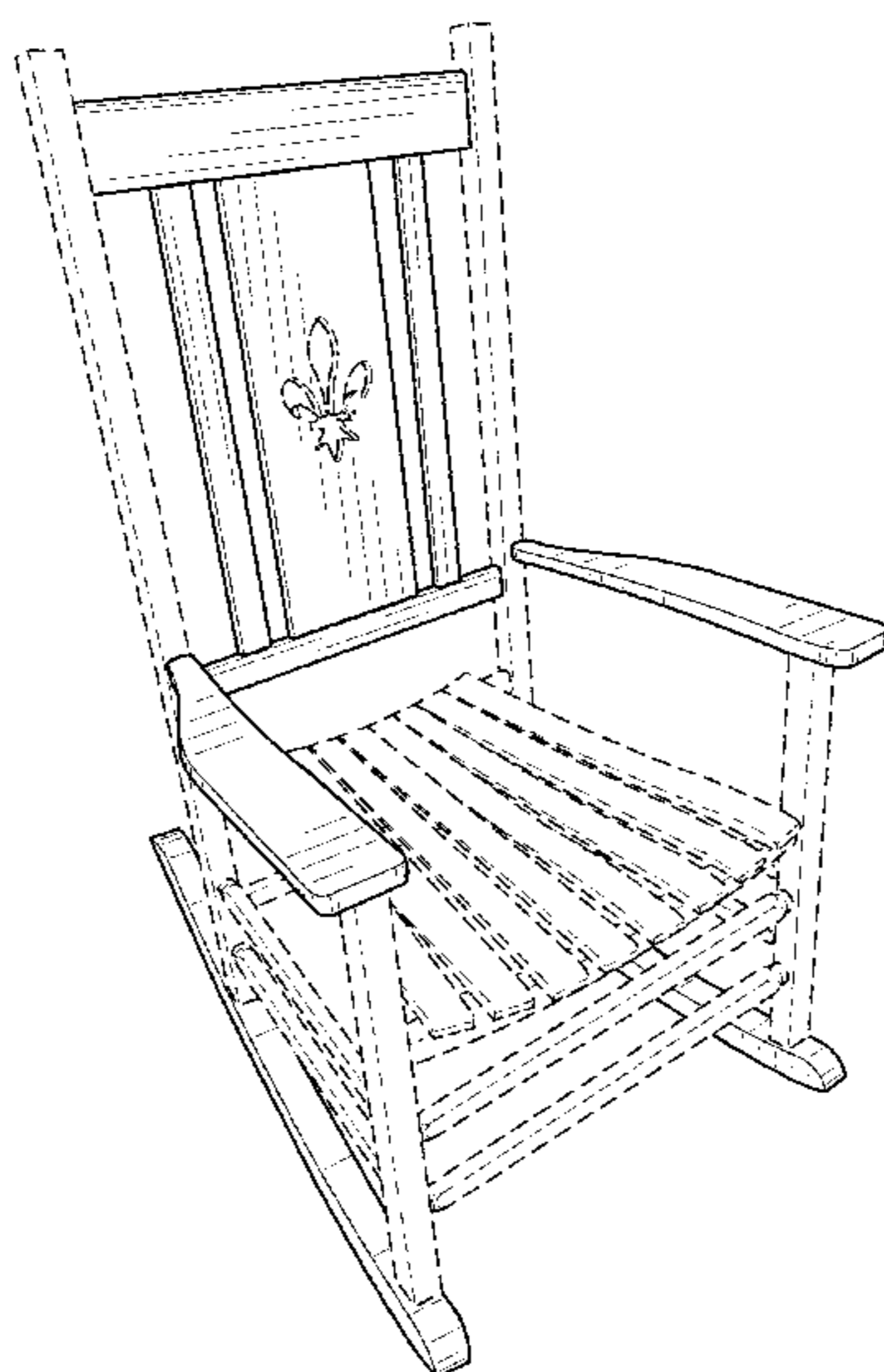
(57) **CLAIM**

The ornamental design for a rocking chair, as shown and described.

**DESCRIPTION**

FIG. 1 is a perspective view of a rocking chair showing my new design.  
FIG. 2 is a front view thereof;  
FIG. 3 is a rear view thereof;  
FIG. 4 is a side view thereof;  
FIG. 5 is an opposite side view thereof;  
FIG. 6 is a top view thereof; and,  
FIG. 7 is a bottom view thereof.  
The features presented in broken lines represent unclaimed portions of the rocking chair and form no part of the claimed design.

**1 Claim, 3 Drawing Sheets**



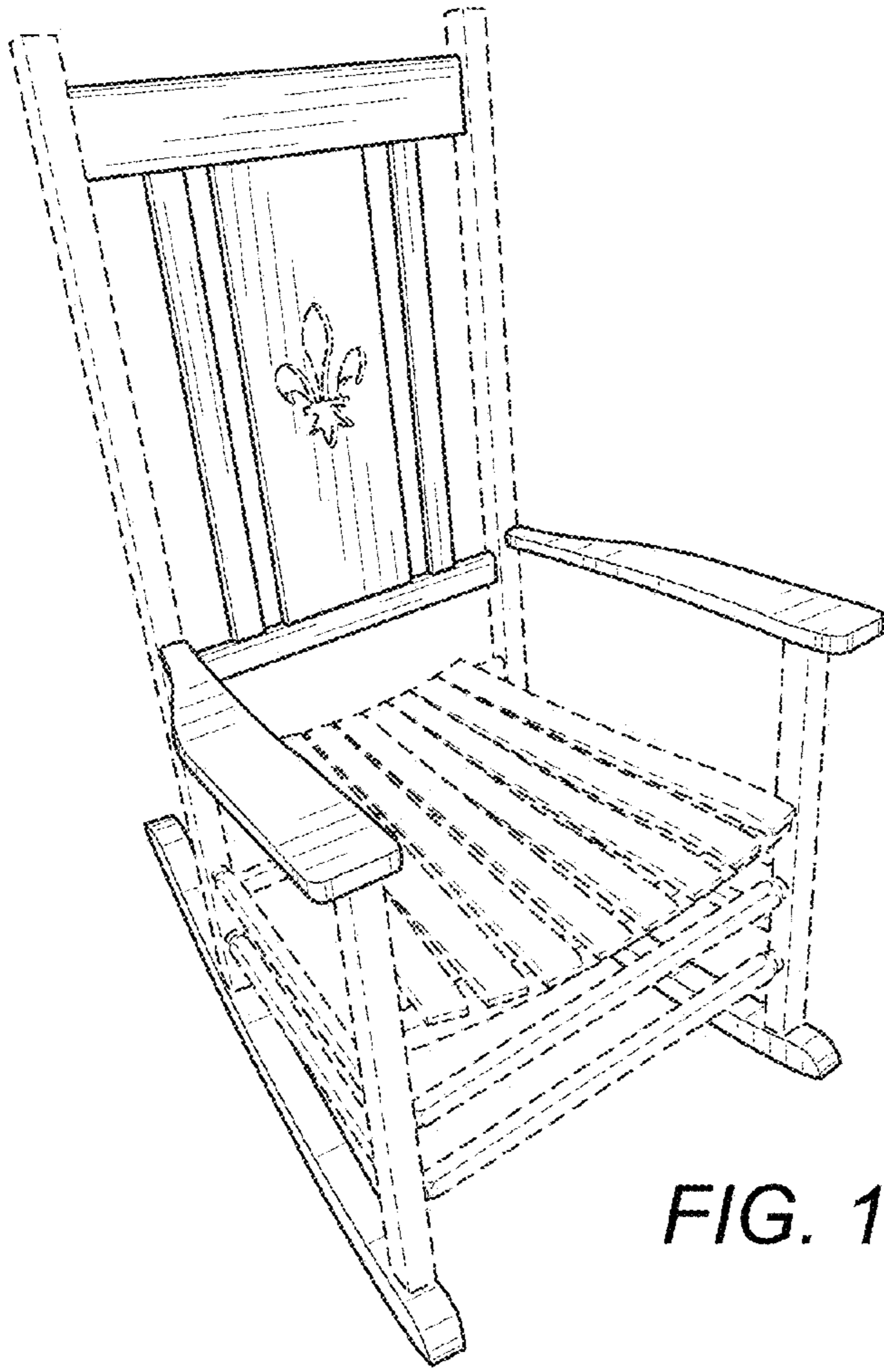
(56)

**References Cited**

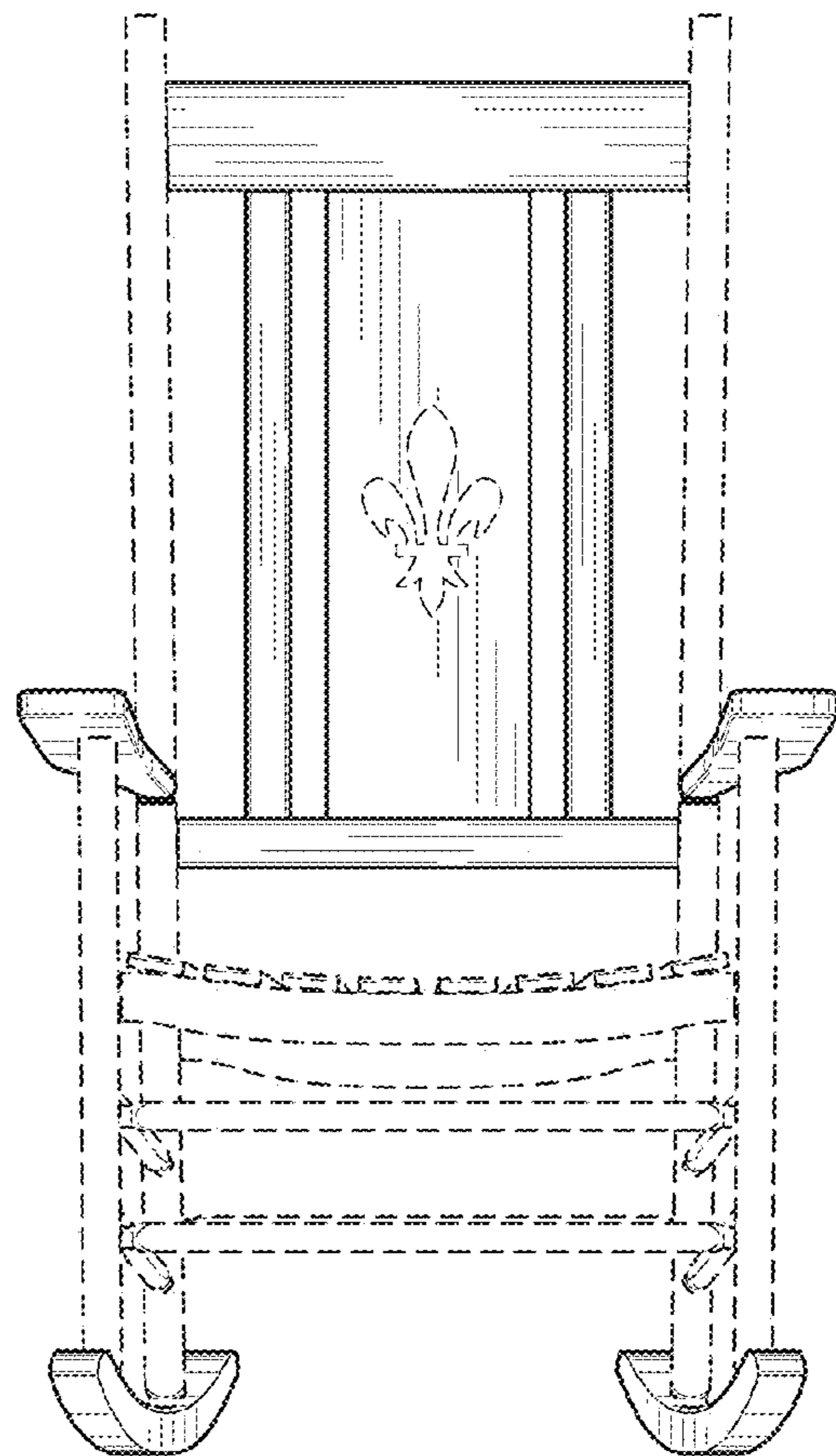
U.S. PATENT DOCUMENTS

D816,357 S \* 5/2018 Hagan ..... D6/348  
D825,211 S \* 8/2018 Lee ..... D6/348  
D830,074 S \* 10/2018 Hagan ..... A47C 3/18  
D6/348  
D830,075 S \* 10/2018 Lee ..... D6/348  
2008/0073958 A1\* 3/2008 Bellin ..... A47C 3/027  
297/261.2  
2018/0332971 A1\* 11/2018 Britt ..... A47C 3/03

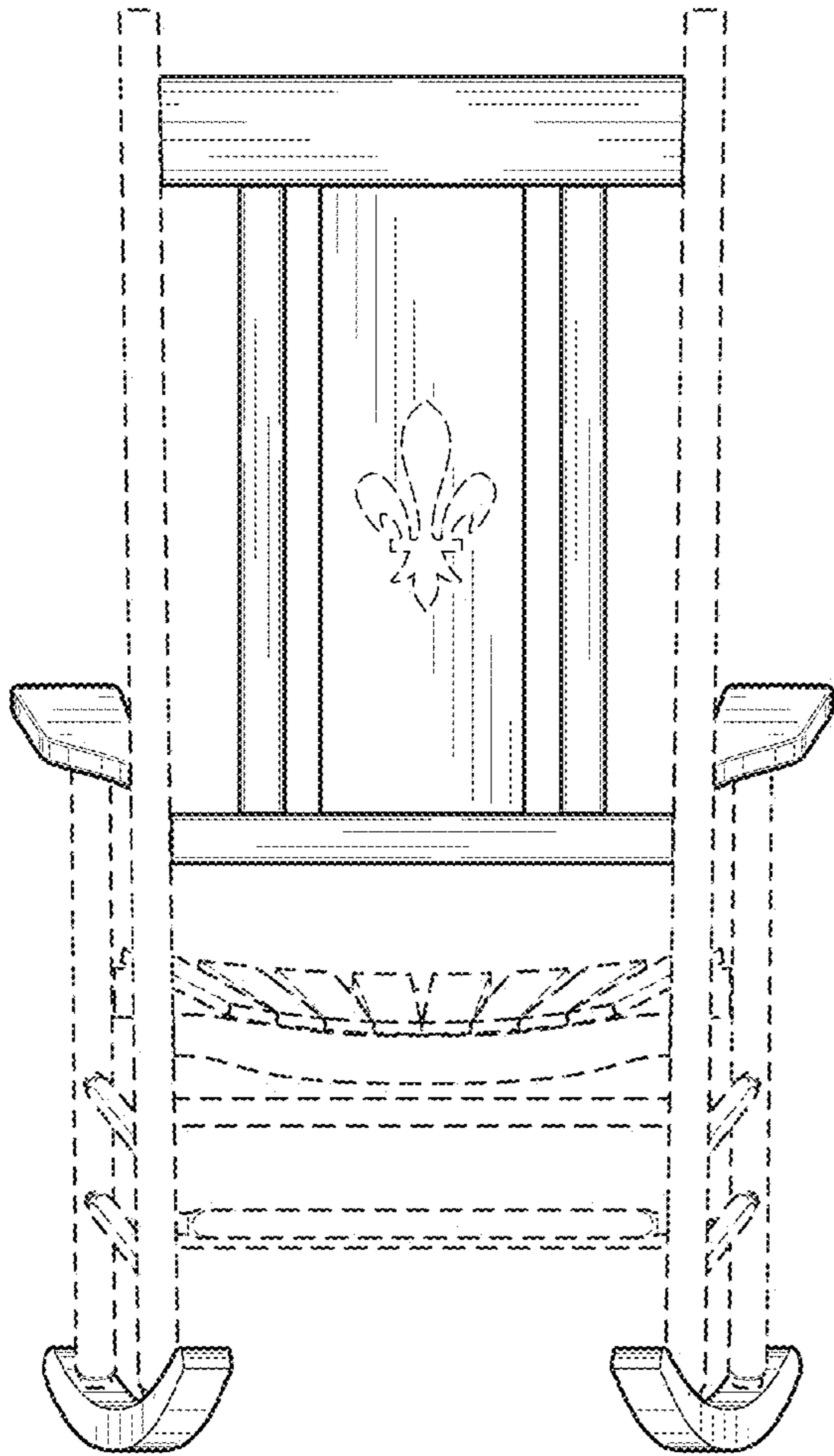
\* cited by examiner



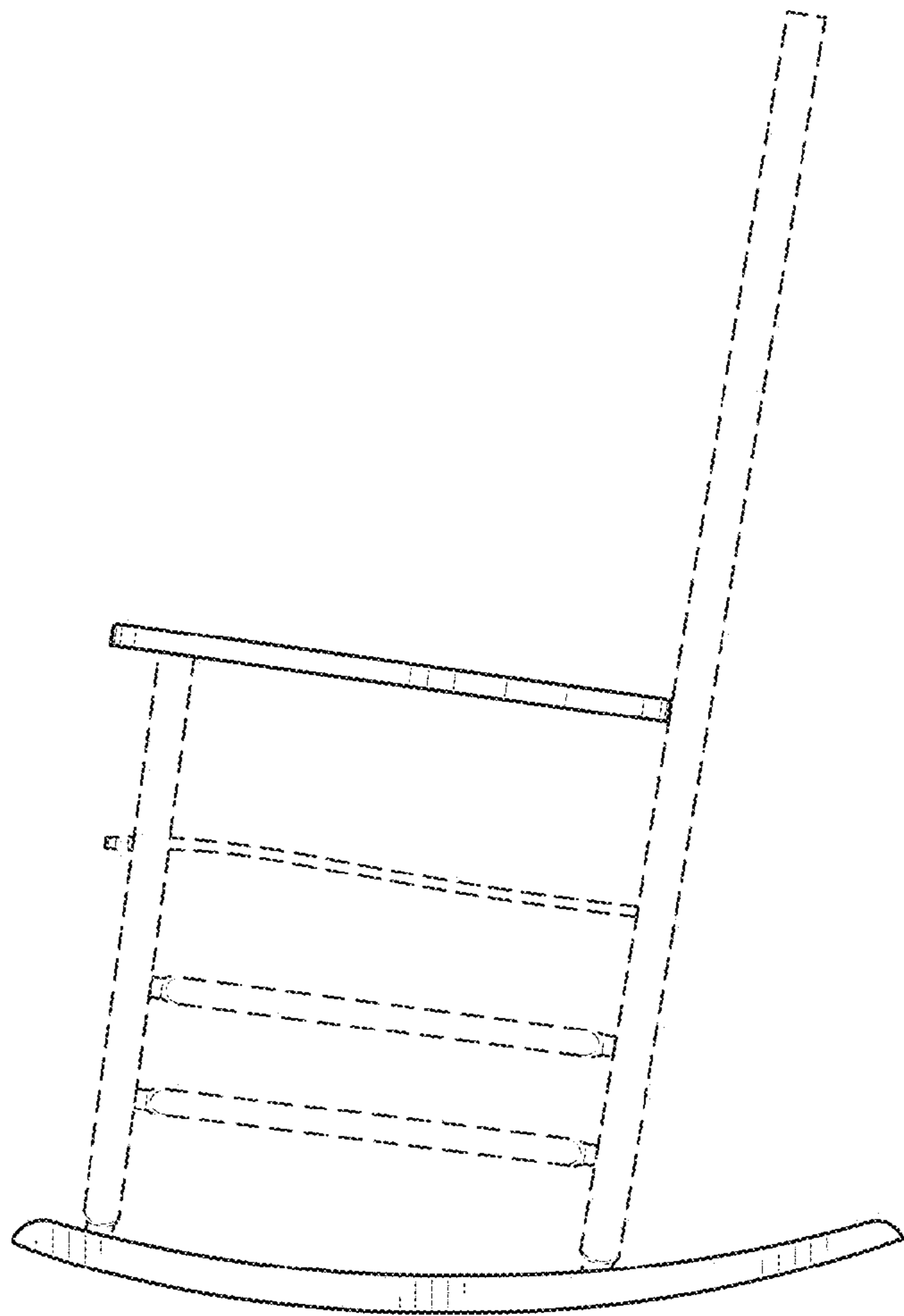
**FIG. 1**



**FIG. 2**

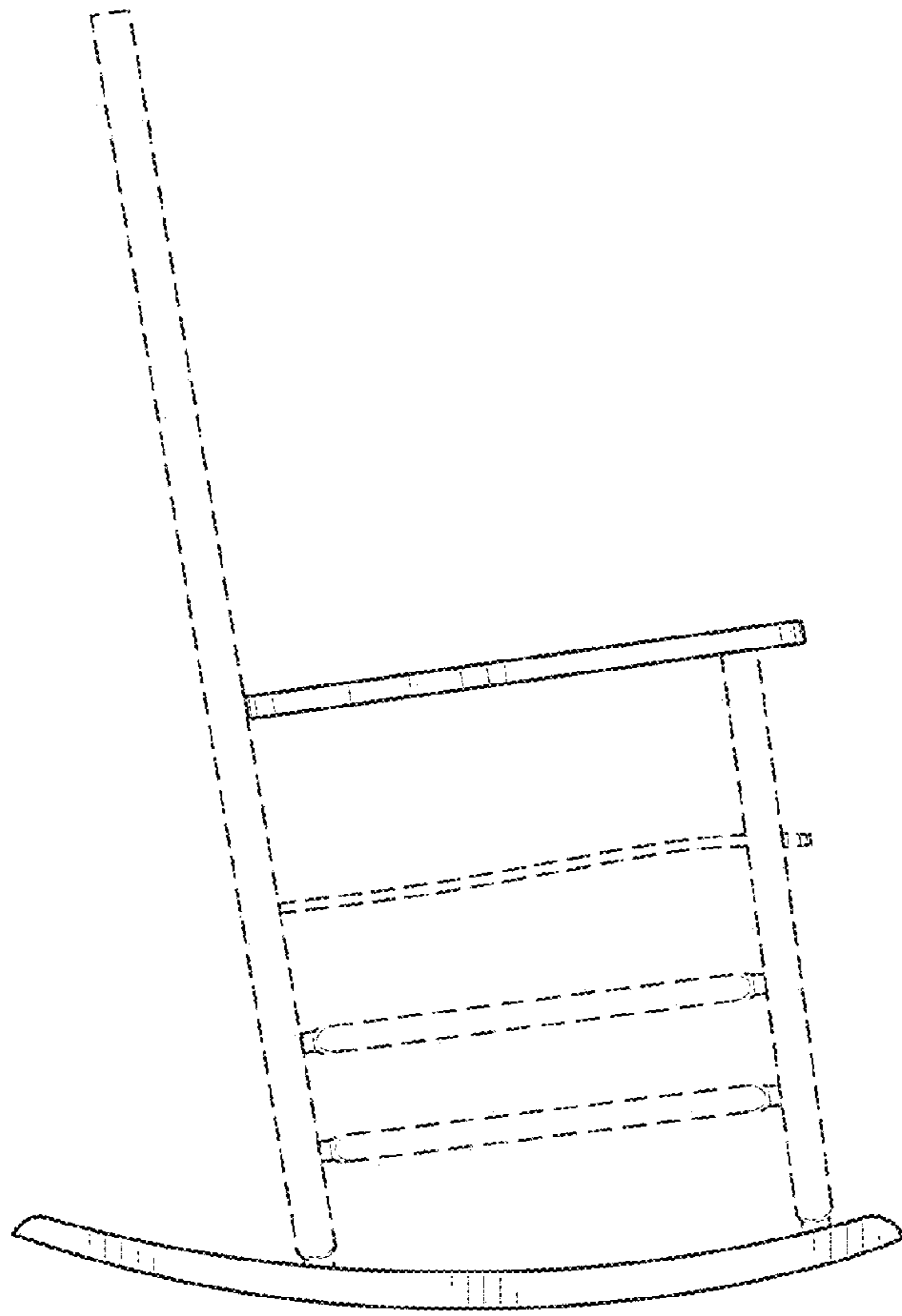


**FIG. 3**

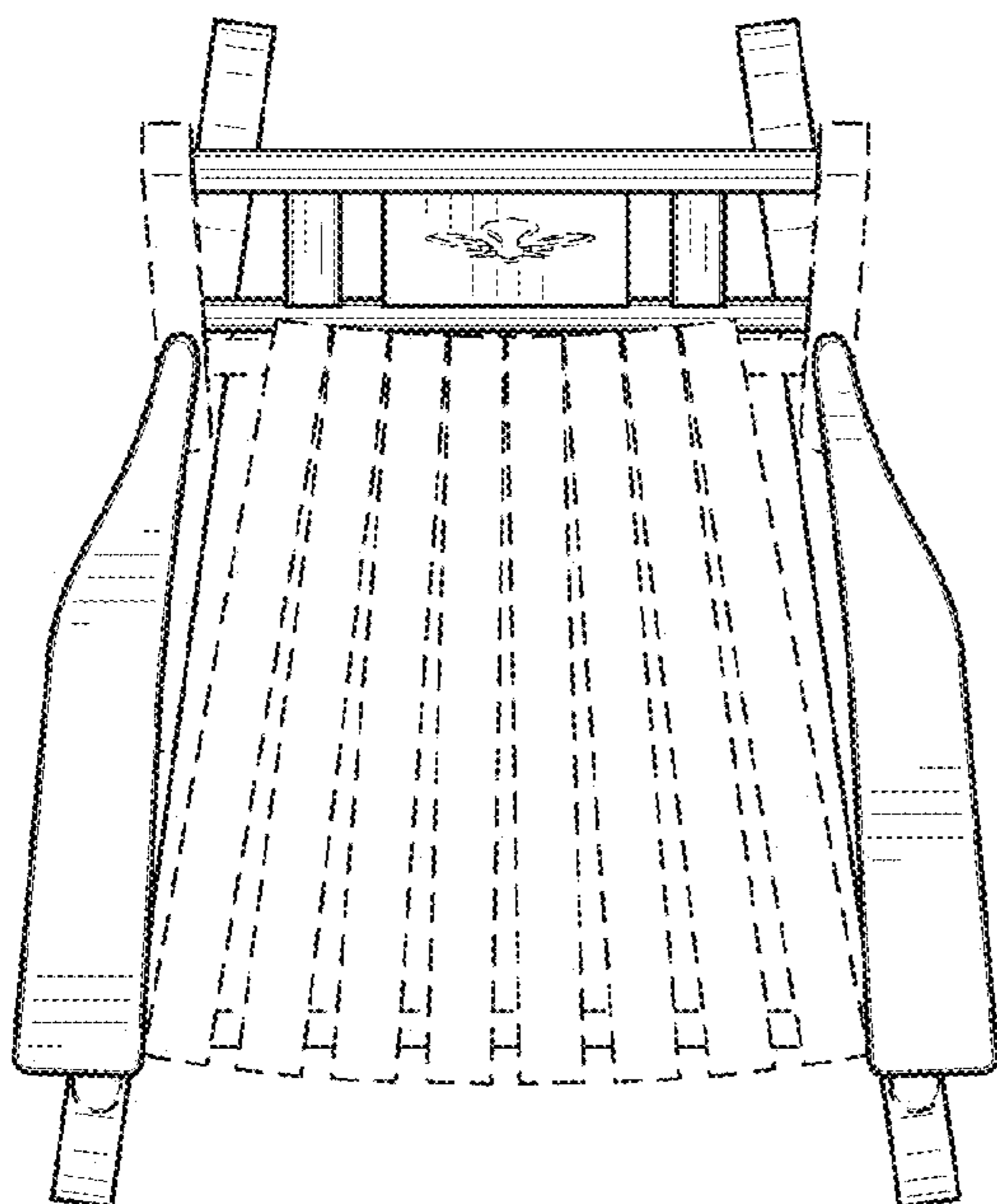


**FIG. 4**

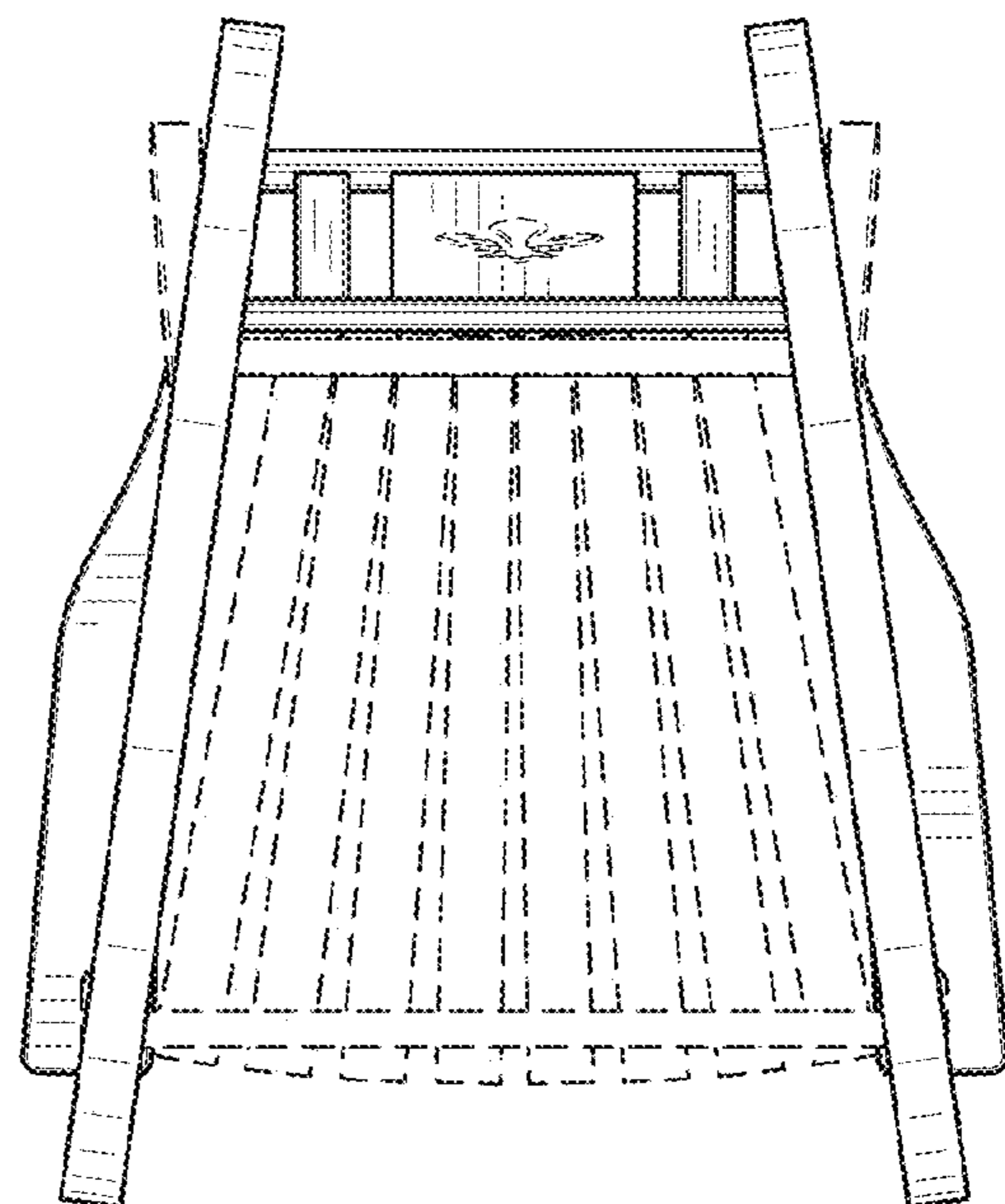




**FIG. 5**



**FIG. 6**



**FIG. 7**