



US00D899112S

(12) **United States Design Patent**  
**Wehner**

(10) **Patent No.:** **US D899,112 S**

(45) **Date of Patent:** **\*\* Oct. 20, 2020**

(54) **CHAIR**

(71) Applicant: **Worldwide Creations, LLC**, Clio, MI (US)

(72) Inventor: **Scott D. Wehner**, Clio, MI (US)

(73) Assignee: **Worldwide Creations, LLC**, Clio, MI (US)

(\*\*) Term: **15 Years**

(21) Appl. No.: **29/690,189**

(22) Filed: **May 6, 2019**

(51) **LOC (12) Cl.** ..... **06-01**

(52) **U.S. Cl.**  
USPC ..... **D6/344**

(58) **Field of Classification Search**  
USPC ..... D6/334, 341, 342, 347, 360, 364, 365,  
D6/386, 387, 389, 643, 650, 677, 716,  
(Continued)

(56) **References Cited**

**U.S. PATENT DOCUMENTS**

979,037 A 12/1910 Searle  
1,646,716 A 10/1927 Wheeler  
(Continued)

**FOREIGN PATENT DOCUMENTS**

EM 000963707-0001 7/2008  
EM 000963707-0002 7/2008  
GB 814554 A 6/1959

**OTHER PUBLICATIONS**

Internet Archive Wayback Machine capture of The Floating Bed,  
<https://web.archive.org/web/20030512020135/http://www.floatingbed.com:80/bigger-view/outdoor-tent-bed-tree.html> <<https://web.archive.org/web/20030512020135/http://www.floatingbed.com:80/bigger-view/outdoor-tent-bed-tree.html>>

[org/web/20030512020135/http://www.floatingbed.com:80/bigger-view/outdoor-tent-bed-tree.html](http://www.floatingbed.com:80/bigger-view/outdoor-tent-bed-tree.html)>, capture dated May 12, 2003, print-out dated Aug. 16, 2017.

(Continued)

*Primary Examiner* — Kevin K Rudzinski

*Assistant Examiner* — Paul D Bohannon

(74) *Attorney, Agent, or Firm* — Young Basile Hanlon & MacFarlane, P.C.

(57) **CLAIM**

The ornamental design for a chair, as shown and described.

**DESCRIPTION**

FIG. 1 is a front perspective view of a chair according to a first embodiment.

FIG. 2 is a front view of the chair of FIG. 1.

FIG. 3 is a rear view of the chair of FIG. 1.

FIG. 4 is a left-side view of the chair of FIG. 1.

FIG. 5 is a right-side view of the chair of FIG. 1.

FIG. 6 is a top view of the chair of FIG. 1.

FIG. 7 is a bottom view of the chair of FIG. 1.

FIG. 8 is a front perspective view showing the chair of FIG. 1 in an environment that includes a stand for supporting the chair in a hanging position and showing a cushion on a seating surface of the chair.

FIG. 9 is a front perspective view of a chair with legs according to a second embodiment.

FIG. 10 is a front view of the chair of FIG. 9.

FIG. 11 is a rear view of the chair of FIG. 9.

FIG. 12 is a left-side view of the chair of FIG. 9.

FIG. 13 is a right-side view of the chair of FIG. 9.

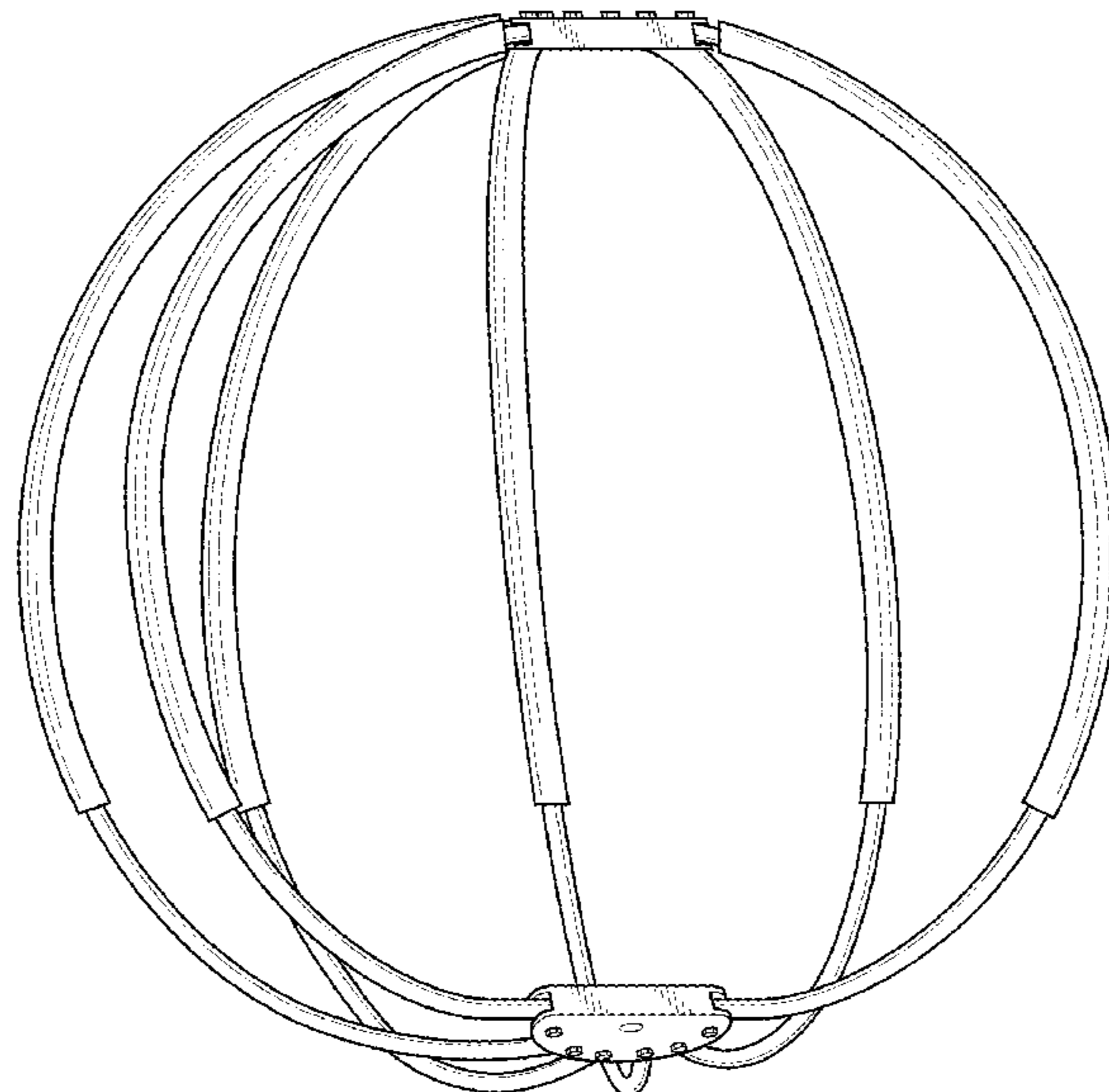
FIG. 14 is a top view of the chair of FIG. 9.

FIG. 15 is a bottom view of the chair of FIG. 9; and,

FIG. 16 is a front perspective view of the chair of FIG. 9 showing a cushion on a seating surface of the chair.

In the drawings, the ornamental design that is claimed is shown in solid lines. The broken lines shown in the drawings are for the purpose of illustrating environmental subject matter and form no part of the claimed design.

**1 Claim, 16 Drawing Sheets**



# US D899,112 S

(58) **Field of Classification Search**

USPC ..... D6/718.1, 718.11, 344, 359, 368, 369,  
 D6/708.16; D21/521, 797, 707, 713, 781;  
 D23/292; D12/52, 322; D30/124, 128  
 CPC .... A47C 3/02; A47C 3/12; A47C 3/18; A47C  
 3/26; A47C 3/0255; A47C 4/24; A47C  
 5/02; A47C 7/443; A47C 15/008; A47C  
 17/84; A47C 4/02; A47C 4/18; A47C  
 4/30; A47C 4/42; A47C 4/286; A47C  
 5/04; A47D 9/00; A47D 13/02; A47D  
 13/10; A47D 13/105; A63G 9/00; A63G  
 9/02; A63G 1/20; A63G 9/04; A63G  
 9/14; A63G 9/12; A45F 3/22; A45F 3/24;  
 A45F 3/26; F21S 4/15; F21S 4/20; F21S  
 4/28; F21S 6/00; F21S 8/063; F21V  
 17/007; F21V 17/02; F21V 3/02; F21V  
 21/14; F21V 21/08; E04H 4/108; E04H  
 15/38; E04H 15/28; E04B 1/3441; B44C  
 5/00; A63B 69/0091; A63B 19/04; A61G  
 15/005

See application file for complete search history.

(56) **References Cited**

U.S. PATENT DOCUMENTS

2,689,602 A 9/1954 Morgan  
 2,796,877 A 6/1957 Berseth  
 3,034,154 A 5/1962 Silverstone  
 3,130,969 A 4/1964 Groth  
 D198,779 S 8/1964 Bredon  
 3,145,990 A 8/1964 Prouty  
 3,164,382 A \* 1/1965 Johnson ..... A63B 19/04  
 472/17  
 3,186,711 A \* 6/1965 Morrow ..... A63B 69/0091  
 472/118  
 3,213,868 A \* 10/1965 Forbes ..... E04H 15/28  
 135/98  
 3,344,443 A 10/1967 Bounell  
 3,528,657 A 9/1970 Krupsky  
 D232,500 S 8/1974 McGreevy et al.  
 3,902,264 A 9/1975 Radig  
 D243,044 S 1/1977 Pathman  
 4,000,749 A 1/1977 Busco  
 4,047,752 A \* 9/1977 Rohr ..... A47C 4/286  
 297/19  
 D249,408 S 9/1978 Jackson  
 D249,753 S 10/1978 Pratt  
 D252,602 S 8/1979 Cirrone  
 D254,458 S 3/1980 Wakefield  
 D254,829 S \* 4/1980 Gass ..... D6/347  
 4,244,622 A 1/1981 Simpson  
 4,258,951 A 3/1981 Groom  
 D259,610 S 6/1981 Martin  
 D263,663 S 4/1982 Moreau  
 D265,611 S \* 8/1982 Knudson ..... D6/347  
 D266,040 S 9/1982 Cope  
 D274,133 S 6/1984 Dillon  
 D278,549 S 4/1985 Kristich  
 4,526,307 A 7/1985 Parker  
 4,550,456 A 11/1985 Allen  
 D282,970 S 3/1986 Parkin  
 4,838,292 A 6/1989 Allen  
 D306,196 S 2/1990 Muirhead  
 5,004,001 A \* 4/1991 Bouchard ..... E04H 4/108  
 135/133  
 D323,535 S 1/1992 Foenander et al.  
 5,097,545 A 3/1992 Hooi  
 D331,158 S 11/1992 Hooi  
 D336,378 S 6/1993 Kittridge  
 5,280,794 A \* 1/1994 Degen ..... A61G 15/005  
 128/845  
 D346,070 S 4/1994 Kither  
 D348,161 S 6/1994 Craig, III

D348,361 S 7/1994 Beecher  
 5,439,016 A 8/1995 Grahn  
 5,511,258 A 4/1996 Barr, Sr.  
 D369,476 S 5/1996 Quill  
 5,588,702 A 12/1996 Litwin  
 5,629,057 A \* 5/1997 Wang ..... B44C 5/00  
 362/122  
 5,695,253 A \* 12/1997 Jenkins ..... A47C 3/12  
 297/258.1  
 D393,303 S 4/1998 Van Wagenen  
 5,918,615 A 7/1999 Stuck, Sr.  
 5,944,381 A 8/1999 Nguyen  
 D414,045 S 9/1999 Morrow  
 D421,034 S 2/2000 Shirley et al.  
 6,135,617 A \* 10/2000 Lai ..... F21V 17/007  
 362/249.09  
 6,401,404 B1 6/2002 Fillipp et al.  
 D462,732 S \* 9/2002 Morrison ..... D21/707  
 6,474,843 B2 \* 11/2002 Shieh ..... B44C 5/00  
 362/227  
 D469,145 S 1/2003 Underwood  
 D496,169 S 9/2004 Hightower  
 D496,802 S 10/2004 Hightower  
 D501,610 S 2/2005 Hightower  
 6,848,740 B1 2/2005 Reese  
 D503,554 S 4/2005 Kay  
 D503,555 S 4/2005 Hightower  
 D507,706 S 7/2005 Lo  
 D515,830 S 2/2006 Zheng  
 D516,330 S 3/2006 Ruitter  
 D516,645 S 3/2006 Chung  
 D516,825 S 3/2006 Zheng  
 D516,826 S 3/2006 Zheng  
 D517,819 S 3/2006 Zheng  
 D522,260 S 6/2006 Strachan  
 D536,888 S 2/2007 Dykstra  
 D538,545 S 3/2007 Zimmermann  
 D539,048 S 3/2007 Zimmermann  
 D539,049 S 3/2007 Zimmermann  
 D539,050 S 3/2007 Zimmermann  
 7,204,549 B1 4/2007 Zeng  
 D541,552 S 5/2007 Weldon  
 D552,853 S 10/2007 Goodrick  
 D558,293 S 12/2007 Brumbach et al.  
 D565,125 S 3/2008 Collier  
 7,367,068 B2 5/2008 Huff  
 7,380,880 B2 6/2008 Molen  
 7,404,601 B2 7/2008 Chen  
 D575,079 S 8/2008 Hirsh  
 D577,774 S 9/2008 Lo et al.  
 D596,675 S 7/2009 Moreno  
 D609,987 S 2/2010 Moman  
 D638,071 S 5/2011 Tyler  
 7,967,374 B2 6/2011 Akkad  
 D649,800 S 12/2011 Lievore et al.  
 D660,034 S 5/2012 Frety et al.  
 D660,608 S 5/2012 Hasman  
 D677,914 S 3/2013 Cardenas  
 D679,104 S 4/2013 Pouzet  
 D682,565 S 5/2013 McDonald  
 D692,083 S 10/2013 Toland  
 D698,696 S 2/2014 McBurney et al.  
 D702,449 S 4/2014 Puotiniemi  
 D705,499 S \* 5/2014 Zamarripa ..... D30/124  
 8,764,234 B1 \* 7/2014 Acree ..... F21S 4/15  
 362/249.01  
 D720,148 S \* 12/2014 Urquiola ..... D6/369  
 9,067,146 B1 6/2015 Cordray  
 9,095,204 B2 8/2015 Ou  
 D738,123 S 9/2015 Wu  
 D738,128 S 9/2015 Paslawski  
 D738,637 S 9/2015 Dean  
 D759,396 S 6/2016 Wehner  
 D760,506 S 7/2016 McDonald  
 9,440,154 B1 9/2016 Cordray et al.  
 9,468,284 B2 10/2016 Wehner  
 D773,221 S \* 12/2016 Lee ..... D6/708.16  
 9,554,653 B2 \* 1/2017 Lee ..... A47C 4/42  
 D778,656 S \* 2/2017 Lee ..... D6/708.16

(56)

References Cited

U.S. PATENT DOCUMENTS

D781,061	S	3/2017	Merritt	
9,630,119	B2	4/2017	Fries et al.	
D787,842	S	5/2017	Lenton	
9,713,372	B1	7/2017	Chen	
D796,865	S	9/2017	Haug	
D800,508	S	10/2017	Peters	
9,861,181	B2	1/2018	Wehner	
D814,813	S	4/2018	Hassman	
D817,013	S	5/2018	Hassman	
D819,348	S	6/2018	Hassman	
D819,989	S	6/2018	Hassman	
D820,605	S	6/2018	Hassman	
D820,606	S	6/2018	Hassman	
D829,454	S	10/2018	Wehner	
10,161,601	B1 *	12/2018	Chen	F21V 17/007
D871,785	S *	1/2020	Wehner	D6/347
10,631,647	B1 *	4/2020	Wu	A47C 3/0255
2003/0024448	A1	2/2003	Lieberman	
2003/0057754	A1	3/2003	Snyders	
2003/0140417	A1	7/2003	Huff	
2005/0108821	A1	5/2005	Gardner	
2005/0277499	A1	12/2005	Tang et al.	
2007/0283611	A1	12/2007	Laurent et al.	
2008/0060128	A1	3/2008	Forshpan	
2008/0203774	A1	8/2008	Hemetsberger	
2010/0252083	A1	10/2010	Ogle	
2011/0254334	A1	10/2011	Phillips	
2012/0178543	A1	7/2012	Monachello	
2015/0018108	A1	1/2015	Lacy et al.	
2015/0030790	A1	1/2015	Duncan, III	
2016/0107095	A1	4/2016	Fries et al.	
2017/0234025	A1	8/2017	Bottome et al.	
2018/0310697	A1 *	11/2018	Wehner	A45F 3/26
2020/0128963	A1 *	4/2020	Wu	A47C 4/18

OTHER PUBLICATIONS

Internet Archive Wayback Machine's capture of The Floating Bed, <https://web.archive.org/web/20030513102711/http://www.floatingbed.com:80/bigger-view/outdoor-tent-bed.html> <<https://web.archive.org/web/20030513102711/http://www.floatingbed.com:80/bigger-view/outdoor-tent-bed.html>>, capture dated May 13, 2003, print-out dated Aug. 16, 2017.

National Archives and Records Administration, Gabe Gobin, an Indian logger, in front of his home. Tulalip Reservation, Washington, <[https://commons.wikimedia.org/wiki/File:Gabe\\_Gobin,\\_an\\_Indian\\_logger,\\_in\\_front\\_of\\_his\\_home.\\_Tulalip\\_Reservation,\\_Washington,\\_1916\\_-\\_NARA\\_-\\_518929.tif](https://commons.wikimedia.org/wiki/File:Gabe_Gobin,_an_Indian_logger,_in_front_of_his_home._Tulalip_Reservation,_Washington,_1916_-_NARA_-_518929.tif)>, created Dec. 31, 1915, print-out dated Aug. 22, 2017.

Wikipedia, Weaver Nest in Malaysia, [https://en.wikipedia.org/wiki/Ploceidae#/media/File:Weaver\\_Nest.jpg](https://en.wikipedia.org/wiki/Ploceidae#/media/File:Weaver_Nest.jpg) <[https://en.wikipedia.org/wiki/Ploceidae#/media/File:Weaver\\_Nest.jpg](https://en.wikipedia.org/wiki/Ploceidae#/media/File:Weaver_Nest.jpg)>, created Mar. 28, 2013, print-out dated Aug. 22, 2017.

Fine Mod Imports Euro Aarnio Style Bubble Hanging Chair, [www.instylemodern.com/Eero-Aarnio-Style-Bubble-Hanging-Chair-White-Cushi-p/1122-white-with-stand.htm](http://www.instylemodern.com/Eero-Aarnio-Style-Bubble-Hanging-Chair-White-Cushi-p/1122-white-with-stand.htm) <<http://www.instylemodern.com/Eero-Aarnio-Style-Bubble-Hanging-Chair-White-Cushi-p/1122-white-with-stand.htm>>, captured on Jun. 29, 2018.

Acme 2-Piece All Star Set Chair and Ottoman, Baseball, [www.amazon.com/05528-2-Piece-Chair-Ottoman-Baseball/dp/B004H6UYAE](http://www.amazon.com/05528-2-Piece-Chair-Ottoman-Baseball/dp/B004H6UYAE) <<http://www.amazon.com/05528-2-Piece-Chair-Ottoman-Baseball/dp/B004H6UYAE>>, captured Jun. 29, 2018.

Coaster Kid's Swivel Chair and Ottoman Set, Basketball Design, [www.amazon.com/Coaster-Swivel-Ottoman-Basketball-2-Pieces/dp/](http://www.amazon.com/Coaster-Swivel-Ottoman-Basketball-2-Pieces/dp/)

B000W18UHA <<http://www.amazon.com/Coaster-Swivel-Ottoman-Basketball-2-Pieces/dp/B000W18UHA>>, captured on Jun. 29, 2018.  
Fine Mod Imports Egg Hanging Chair, [www.finemodimports.com/Egg\\_Hanging\\_Chair\\_p/fmi2208.htm](http://www.finemodimports.com/Egg_Hanging_Chair_p/fmi2208.htm) <[http://www.finemodimports.com/Egg\\_Hanging\\_Chair\\_p/fmi2208.htm](http://www.finemodimports.com/Egg_Hanging_Chair_p/fmi2208.htm)>, captured on Jun. 29, 2018.

Design Market Nanna Ditzel Egg Chair, [www.design-mkt.com/154-egg-hanging-chair-nanna-ditzel-1959.html](http://www.design-mkt.com/154-egg-hanging-chair-nanna-ditzel-1959.html) <<http://www.design-mkt.com/154-egg-hanging-chair-nanna-ditzel-1959.html>>, captured Jun. 29, 2018.

Wildon Home Kid's Football Chair and Ottoman Set, [www.amazon.com/Kids-Football-Chair-Ottoman-Set/dp/B00XYTD5FG/](http://www.amazon.com/Kids-Football-Chair-Ottoman-Set/dp/B00XYTD5FG/) <<http://www.amazon.com/Kids-Football-Chair-Ottoman-Set/dp/B00XYTD5FG/>>, captured Jun. 29, 2018.

Wicker Hanging Swing Patio Bed, [www.karimunjawaadventure.com/item-detail/wicker-hanging-swing-patio-bed-swing-steel-garden-swing.html](http://www.karimunjawaadventure.com/item-detail/wicker-hanging-swing-patio-bed-swing-steel-garden-swing.html) <<http://www.karimunjawaadventure.com/item-detail/wicker-hanging-swing-patio-bed-swing-steel-garden-swing.html>>, captured Jun. 29, 2018.

Football Hanging Chair on Alibaba, [www.alibaba.com/product-detail/football-design-swing-hang-chair-outdoor\\_60325860005.html?spm=a2700.galleryofferlist.normalList.23.5f287b1802IByl](http://www.alibaba.com/product-detail/football-design-swing-hang-chair-outdoor_60325860005.html?spm=a2700.galleryofferlist.normalList.23.5f287b1802IByl) <[http://www.alibaba.com/product-detail/football-design-swing-hang-chair-outdoor\\_60325860005.html?spm=a2700.galleryofferlist.normalList.23.5f287b1802IByl](http://www.alibaba.com/product-detail/football-design-swing-hang-chair-outdoor_60325860005.html?spm=a2700.galleryofferlist.normalList.23.5f287b1802IByl)>, captured Jun. 29, 2018.

Round Rattan Outdoor Bed, [gtoparts.en.alibaba.com/product/60149906396-221138431/Round\\_rattan\\_outdoor\\_bed\\_outdoor\\_swing\\_bed\\_round\\_hanging\\_bed\\_round.html?spm=a2700.8304367.prewdfa4cf.1.576f3e26neSEBx](http://gtoparts.en.alibaba.com/product/60149906396-221138431/Round_rattan_outdoor_bed_outdoor_swing_bed_round_hanging_bed_round.html?spm=a2700.8304367.prewdfa4cf.1.576f3e26neSEBx), captured Jun. 29, 2018.

Round Egg Straight Hanging Chair, [gtoparts.en.alibaba.com/product/60194886386-221138431/Outdoor\\_Wicker\\_Patio\\_Furniture\\_Round\\_Egg\\_Straight\\_Hanging\\_Chair\\_NEW\\_.html?spm=a2700.8304367.prewdfa4cf.16.e5203e27WgVkmD](http://gtoparts.en.alibaba.com/product/60194886386-221138431/Outdoor_Wicker_Patio_Furniture_Round_Egg_Straight_Hanging_Chair_NEW_.html?spm=a2700.8304367.prewdfa4cf.16.e5203e27WgVkmD), captured Jun. 29, 2018.

Swing Hanging Chair, [gtoparts.en.alibaba.com/product/60134002497-221138431/Swing\\_hanging\\_chair\\_cheap\\_material\\_PE\\_rattan\\_popular\\_in\\_many\\_countries.html?spm=a2700.8304367.prewdfa4cf.4.45803e26KjE2Q6](http://gtoparts.en.alibaba.com/product/60134002497-221138431/Swing_hanging_chair_cheap_material_PE_rattan_popular_in_many_countries.html?spm=a2700.8304367.prewdfa4cf.4.45803e26KjE2Q6), captured Jun. 29, 2018.

2015 New Model Wooden Horse Swing, [gtoparts.en.alibaba.com/product/60145838006-221138431/2015\\_new\\_model\\_wooden\\_horse\\_swing.html?spm=a2700.8304367.prewdfa4cf.13.7d4d3e26lv1M0a](http://gtoparts.en.alibaba.com/product/60145838006-221138431/2015_new_model_wooden_horse_swing.html?spm=a2700.8304367.prewdfa4cf.13.7d4d3e26lv1M0a), captured Jun. 29, 2018.

Two Seat Hanging Swing Chair, [gtoparts.en.alibaba.com/product/60449144448-221138431/Outdoor\\_two\\_seat\\_hanging\\_swing\\_chair\\_for\\_adult.html?spm=a2700.8304367.prewdfa4cf.16.633e3e1dUpVBU5](http://gtoparts.en.alibaba.com/product/60449144448-221138431/Outdoor_two_seat_hanging_swing_chair_for_adult.html?spm=a2700.8304367.prewdfa4cf.16.633e3e1dUpVBU5), captured Jun. 29, 2018.

Nest Chair Patio Swing, [gtoparts.en.alibaba.com/product/60672125777-221138431/Nest\\_Chair\\_Patio\\_Swing\\_Chair\\_Hanging\\_Hammock.html?spm=a2700.8304367.prewdfa4cf.10.309b3e60xpCfW0](http://gtoparts.en.alibaba.com/product/60672125777-221138431/Nest_Chair_Patio_Swing_Chair_Hanging_Hammock.html?spm=a2700.8304367.prewdfa4cf.10.309b3e60xpCfW0), captured Jun. 29, 2018.

Comfortable Bedroom Chair, [gtoparts.en.alibaba.com/product/60565028285-221138431/Wholesale\\_best\\_selling\\_in\\_Poland\\_comfortable\\_bedroom\\_chairs.html?spm=a2700.8304367.prewdfa4cf.28.558a3e18W54nwH](http://gtoparts.en.alibaba.com/product/60565028285-221138431/Wholesale_best_selling_in_Poland_comfortable_bedroom_chairs.html?spm=a2700.8304367.prewdfa4cf.28.558a3e18W54nwH), captured Jun. 29, 2018.

Round Swing Chair, [gtoparts.en.alibaba.com/product/60390746146-221138431/hot\\_sale\\_round\\_swing\\_chair\\_hanging\\_chair\\_with\\_cushion\\_for\\_1\\_person\\_hanging\\_garden\\_rocking\\_chair.html?spm=a2700.8304367.prewdfa4cf.1.48593e67yWB6YI](http://gtoparts.en.alibaba.com/product/60390746146-221138431/hot_sale_round_swing_chair_hanging_chair_with_cushion_for_1_person_hanging_garden_rocking_chair.html?spm=a2700.8304367.prewdfa4cf.1.48593e67yWB6YI), captured Jun. 29, 2018.

Multicolored Apple Shape Chair, [gtoparts.en.alibaba.com/product/60130025317-221138431/multicolored\\_apple\\_shape\\_hammock\\_eco\\_friend\\_handmade\\_chair\\_with\\_natural\\_rattan\\_and\\_bamboo\\_hanging\\_chair.html?spm=a2700.8304367.prewdfa4cf.34.37be3e27VLPiIR](http://gtoparts.en.alibaba.com/product/60130025317-221138431/multicolored_apple_shape_hammock_eco_friend_handmade_chair_with_natural_rattan_and_bamboo_hanging_chair.html?spm=a2700.8304367.prewdfa4cf.34.37be3e27VLPiIR), captured Jun. 29, 2018.

Fine Mod Imports Bird Hanging Chair, <<https://www.hammockup.com/products/bird-hanging-chair-white?variant=1848133877769>>, captured Jul. 3, 2018.

\* cited by examiner

FIG. 1

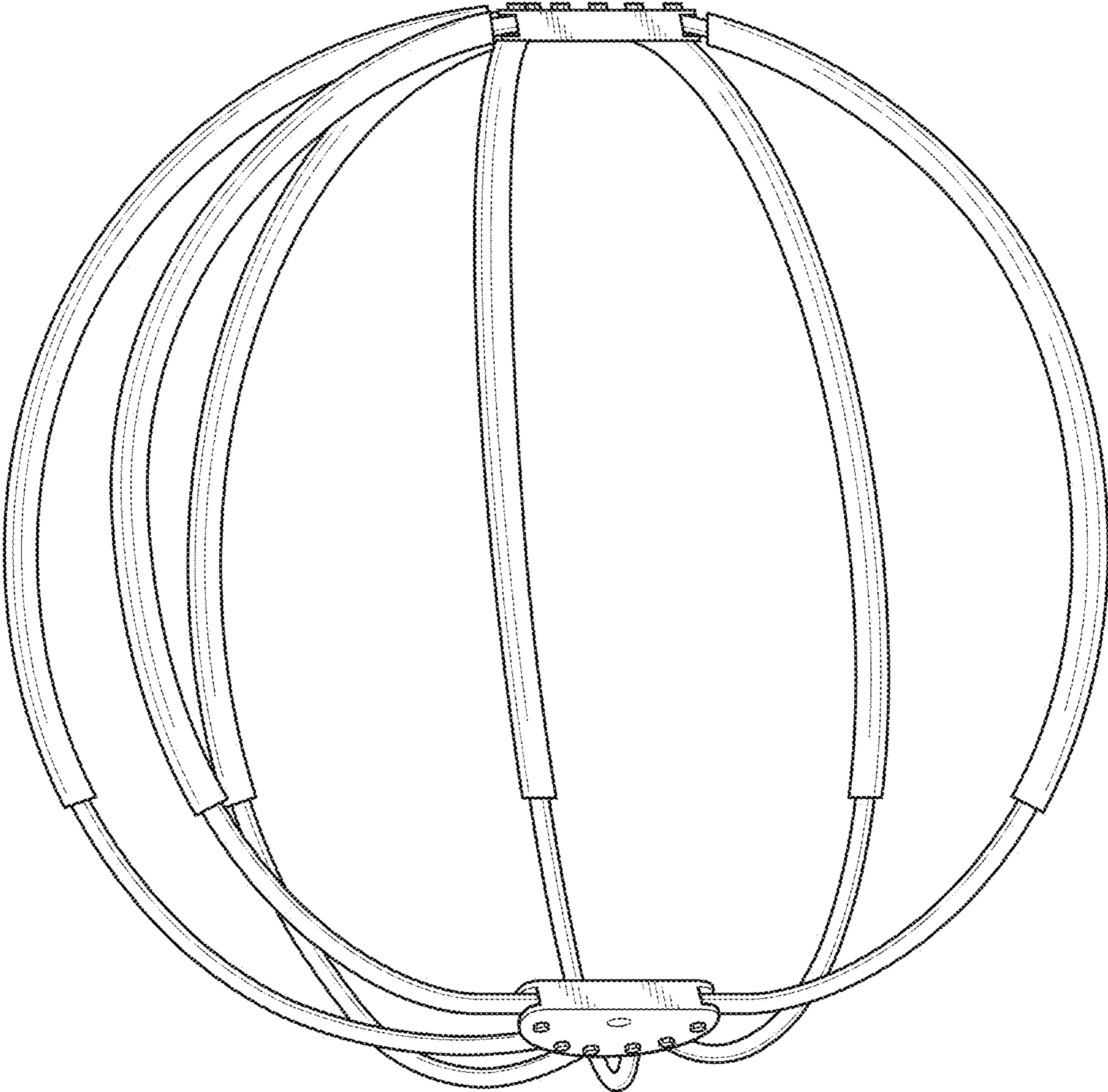


FIG. 2

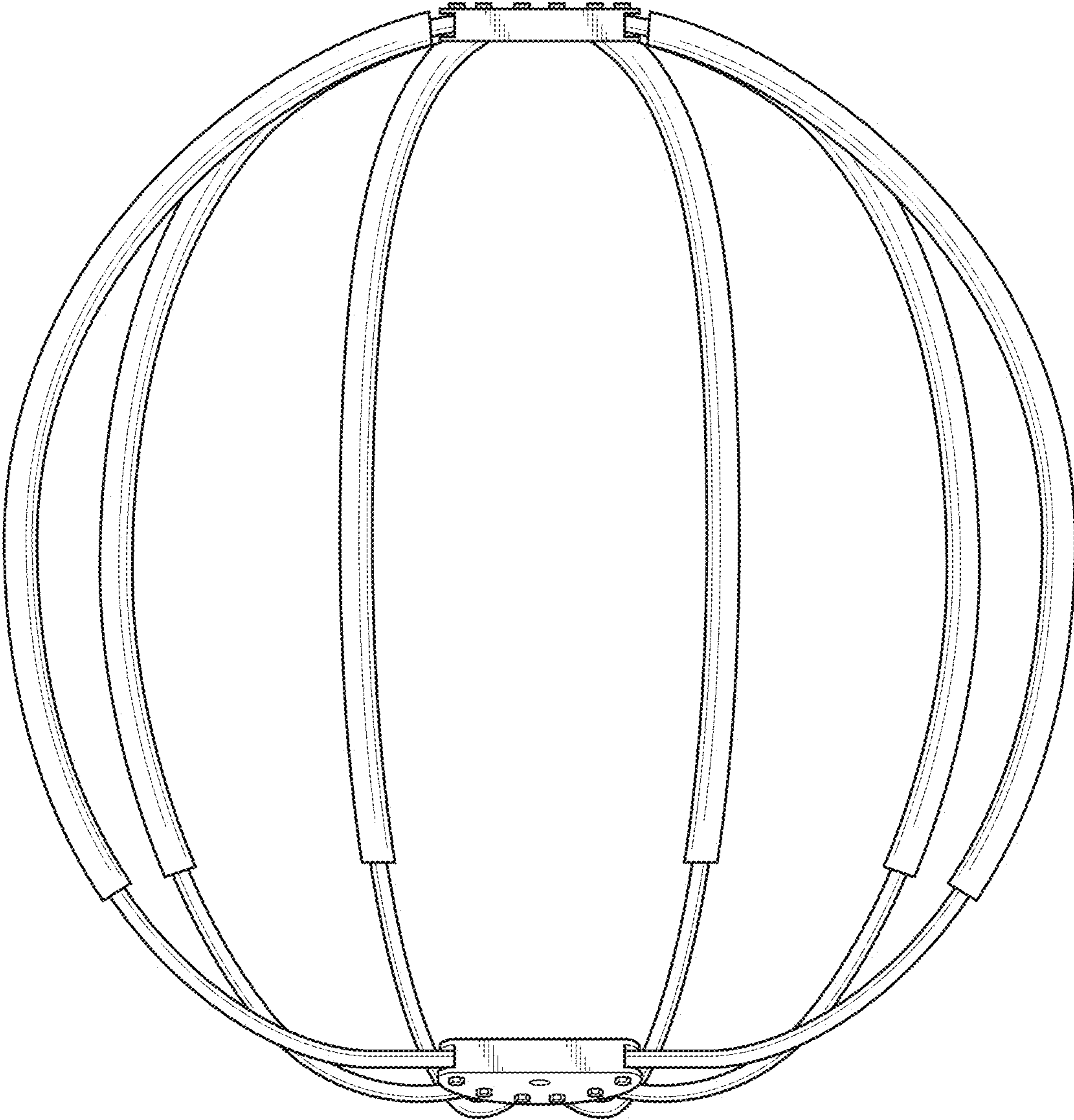


FIG. 3

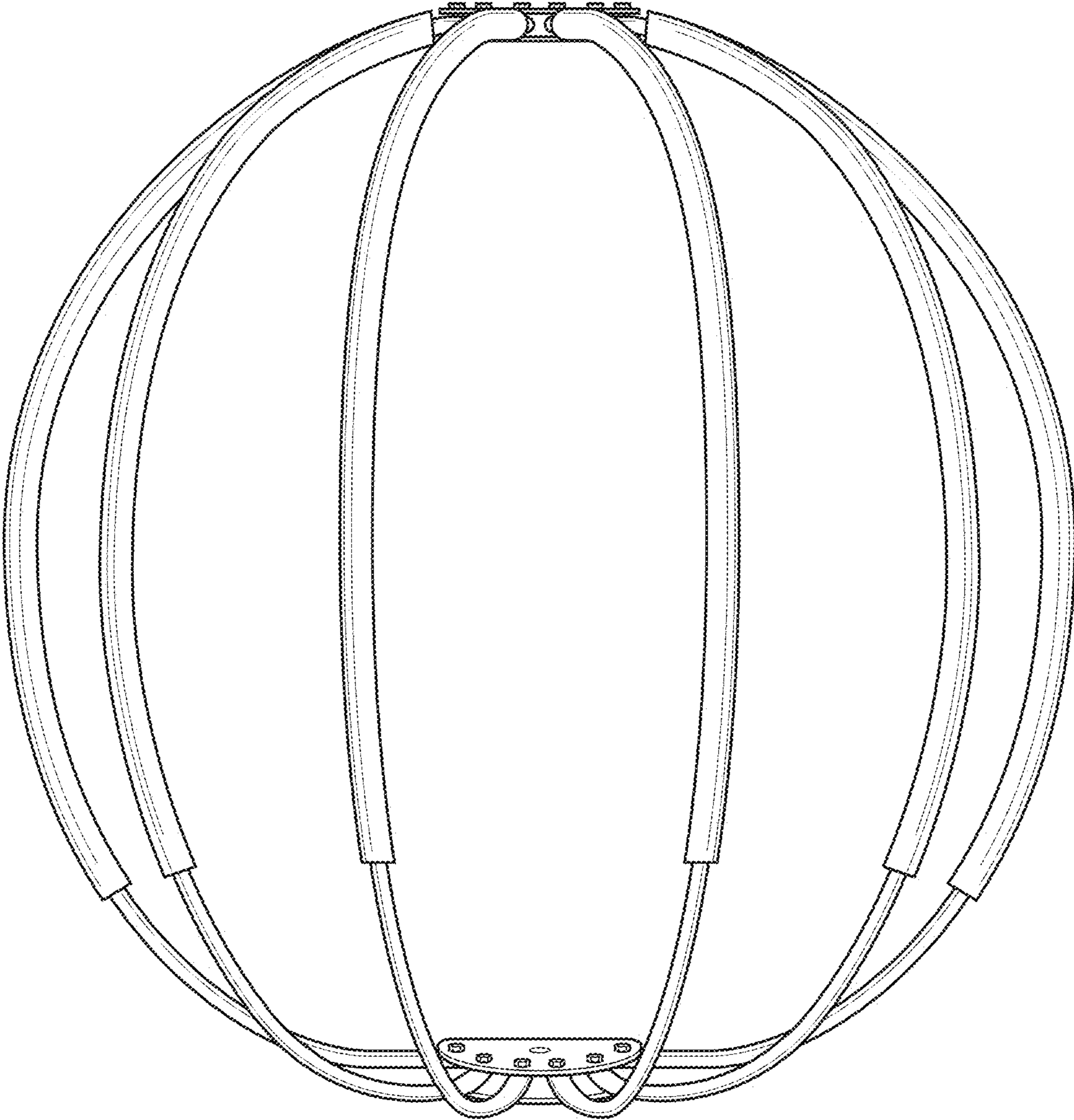


FIG. 4

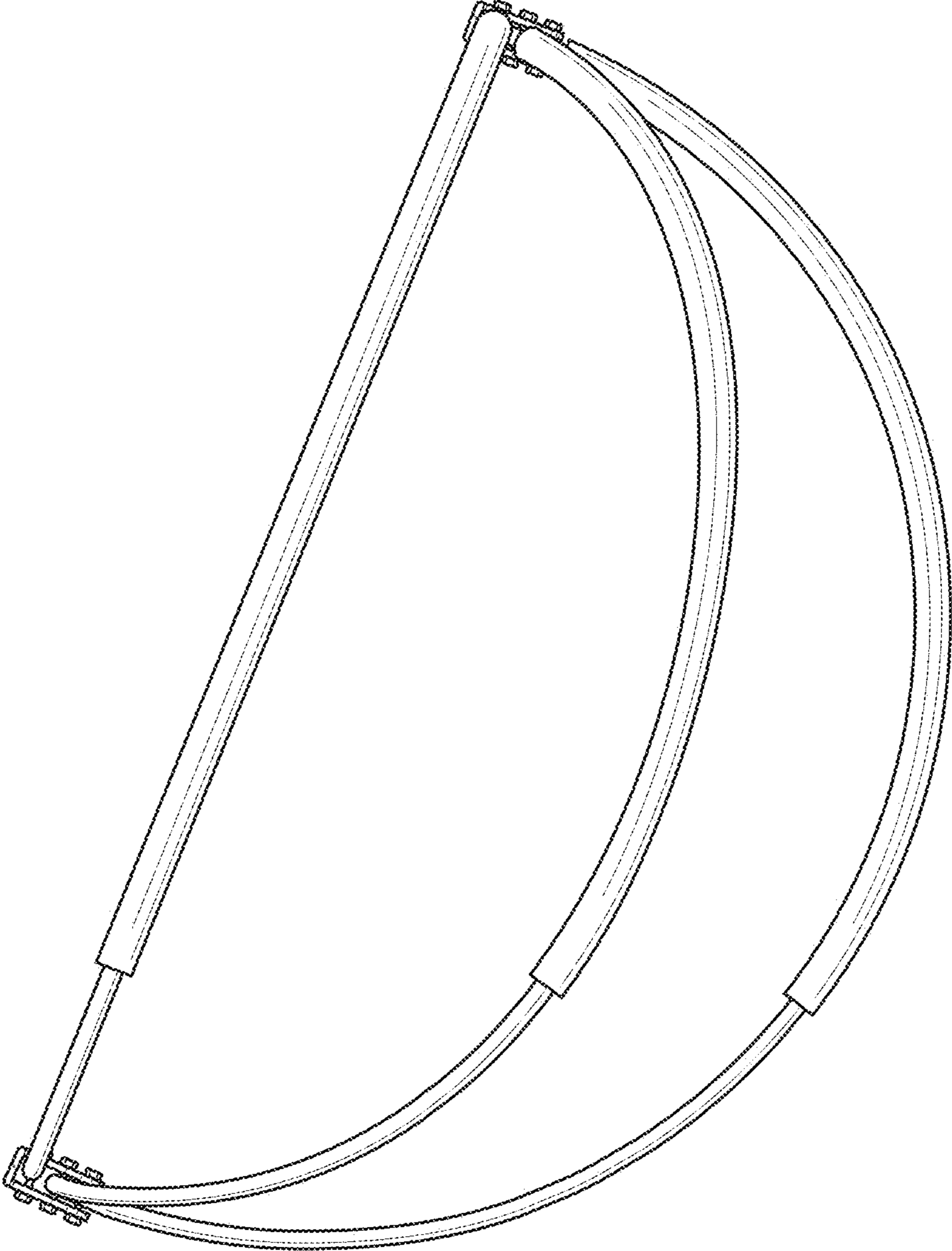
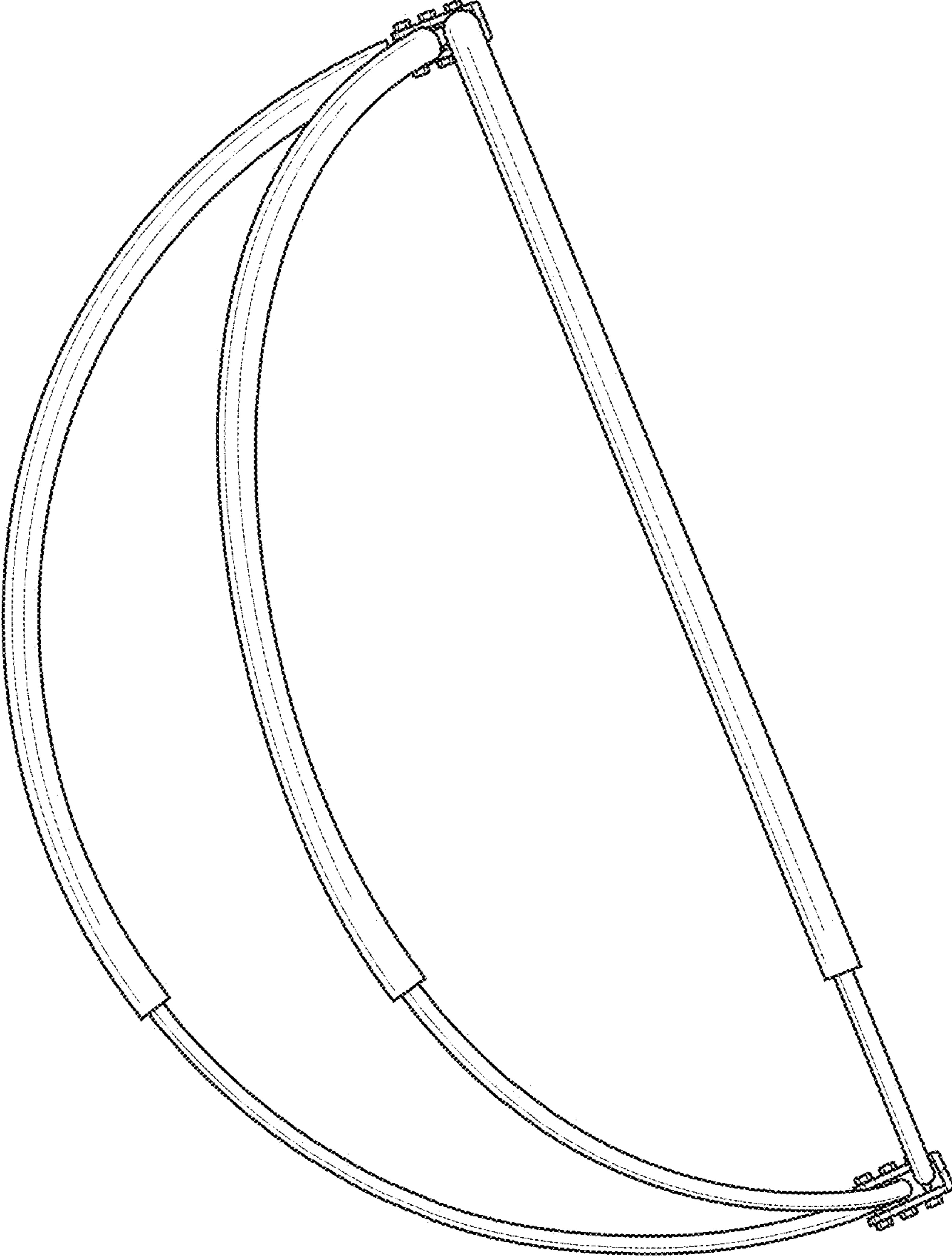
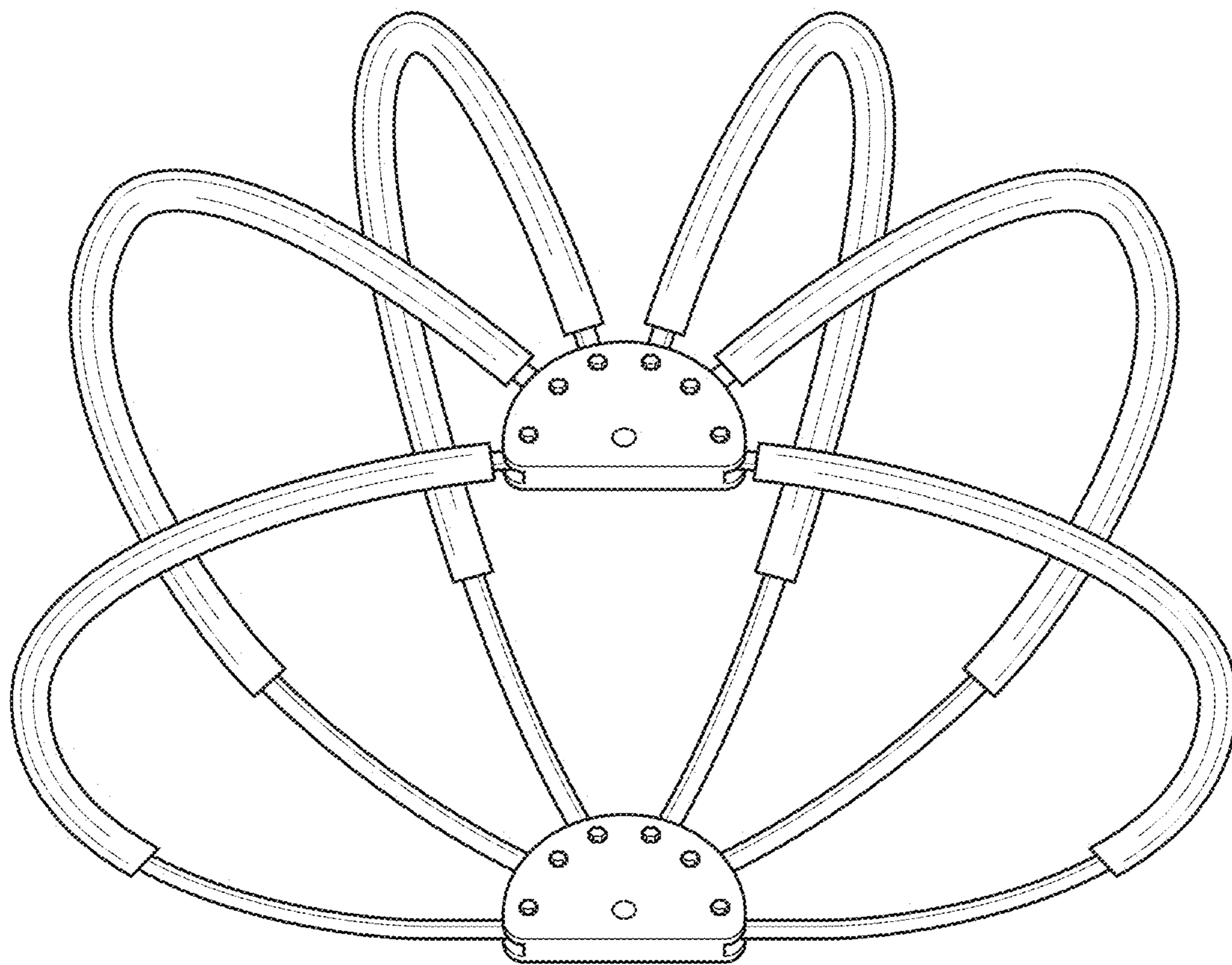


FIG. 5





**FIG. 6**



**FIG. 7**

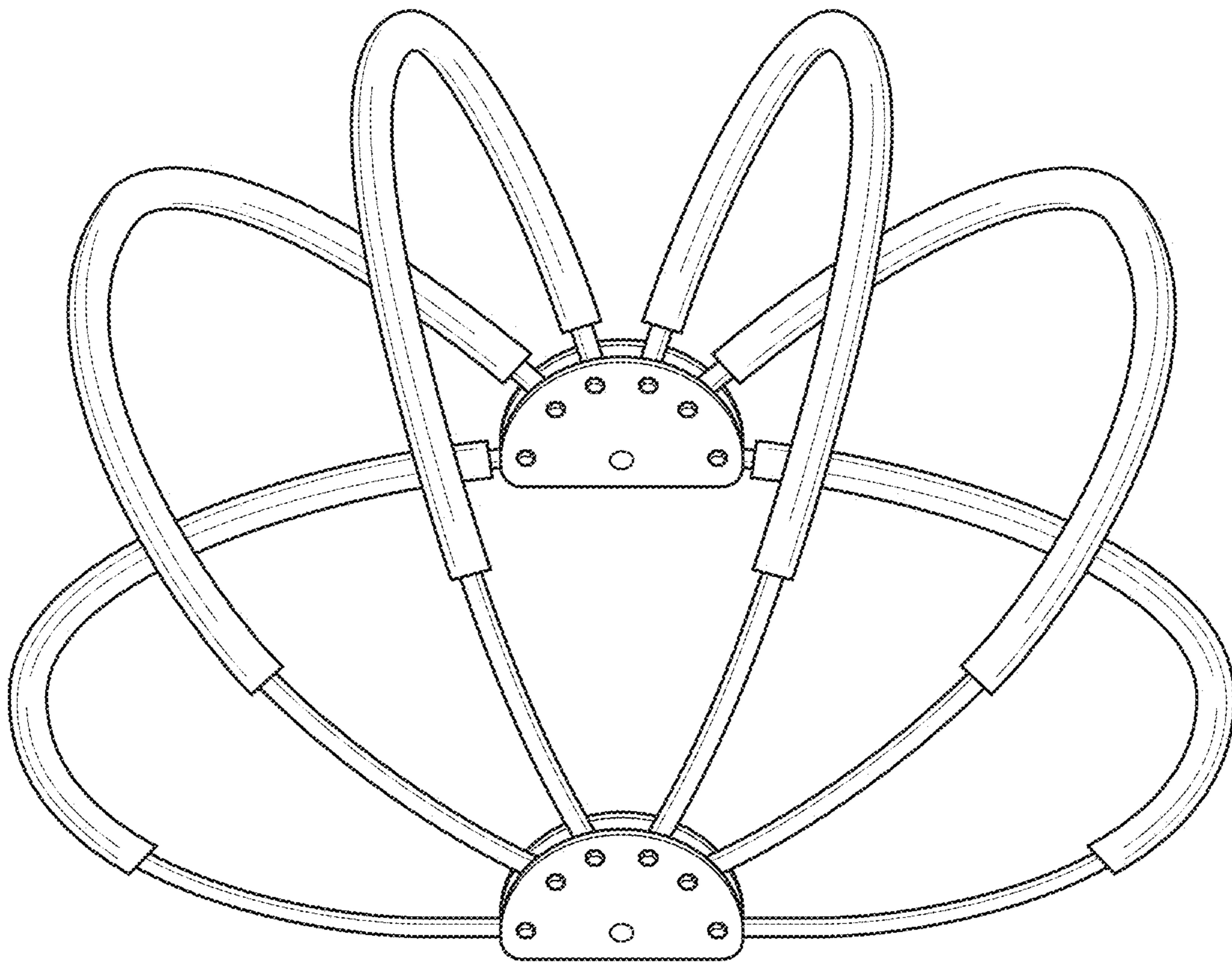


FIG. 8

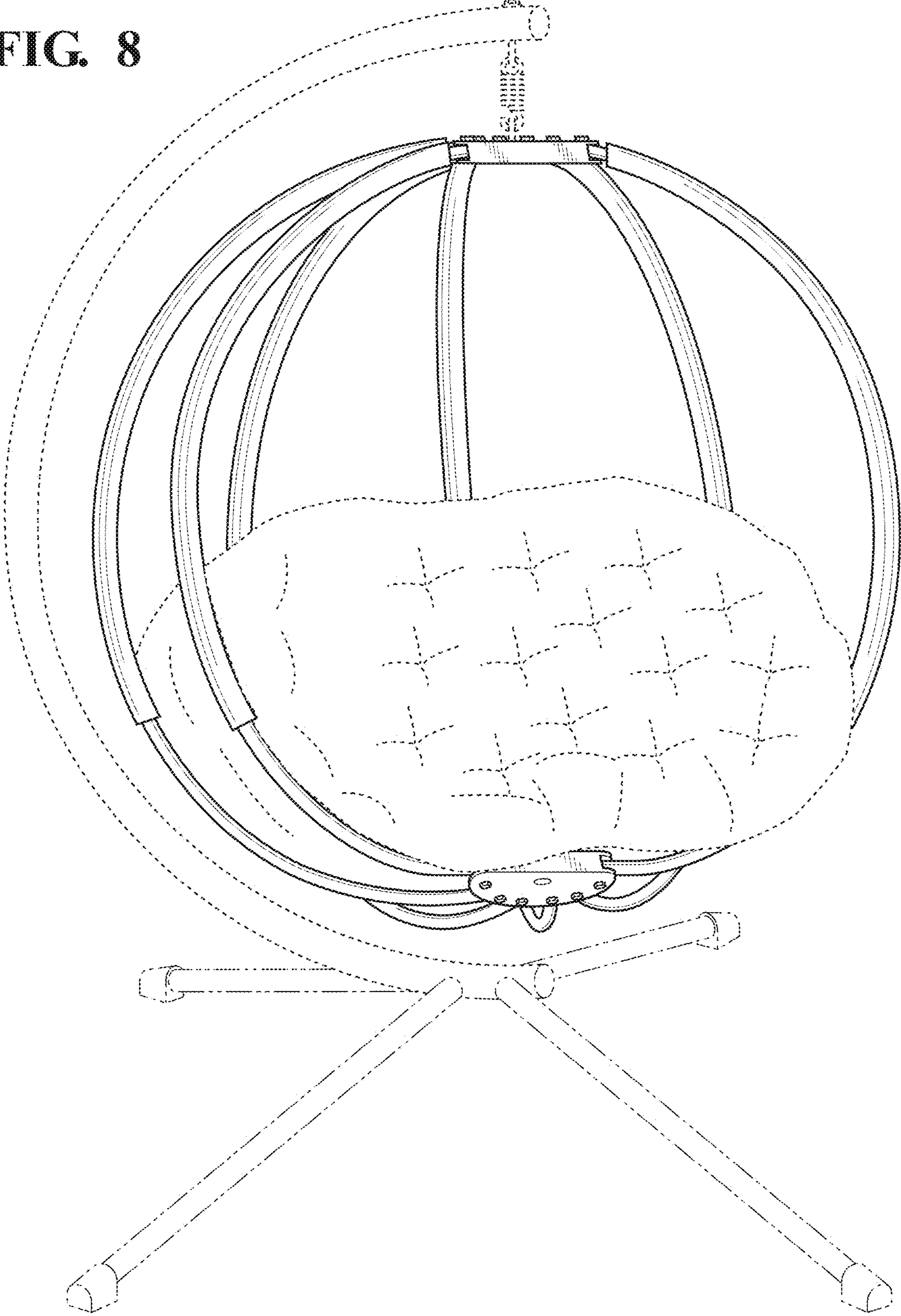


FIG. 9

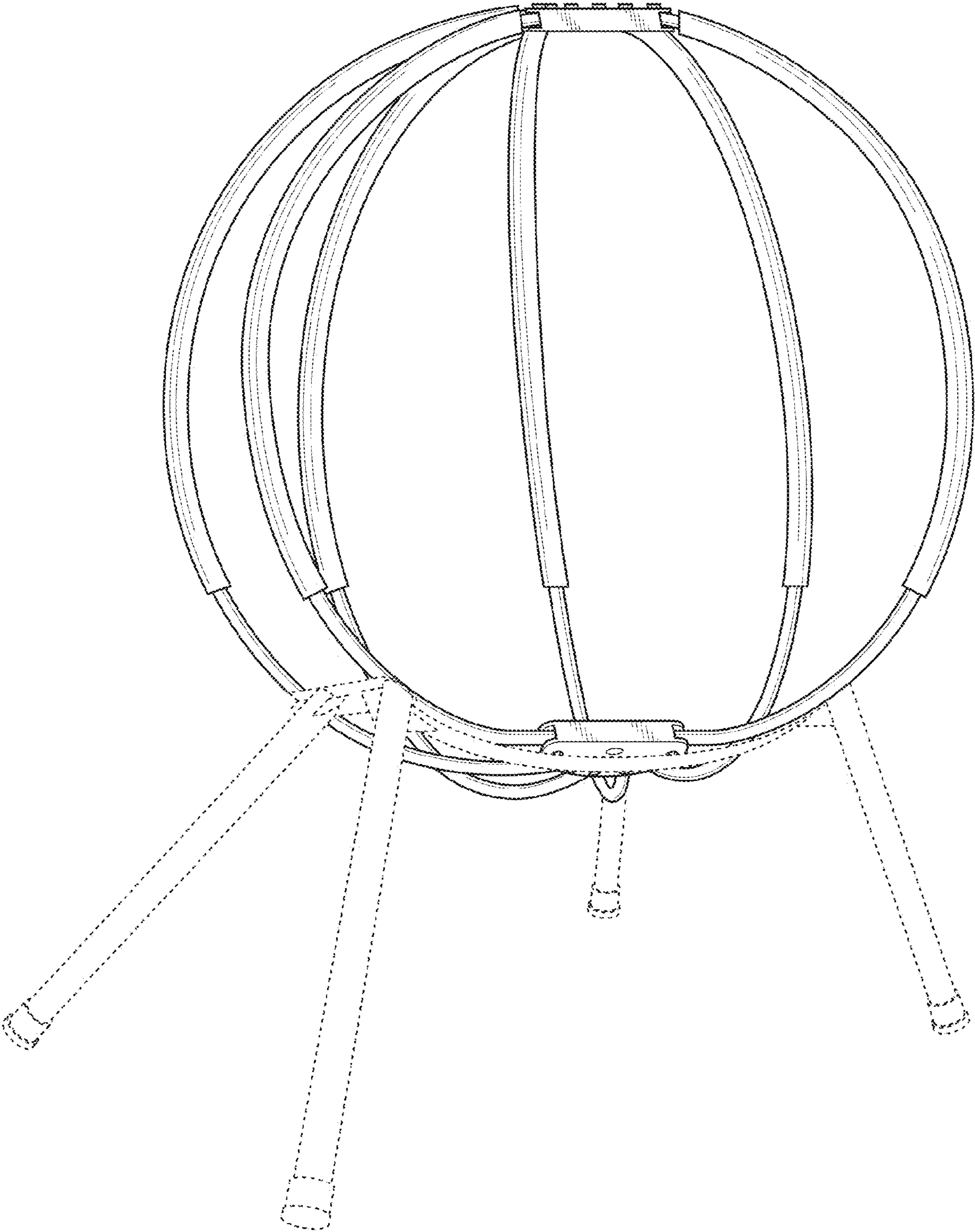
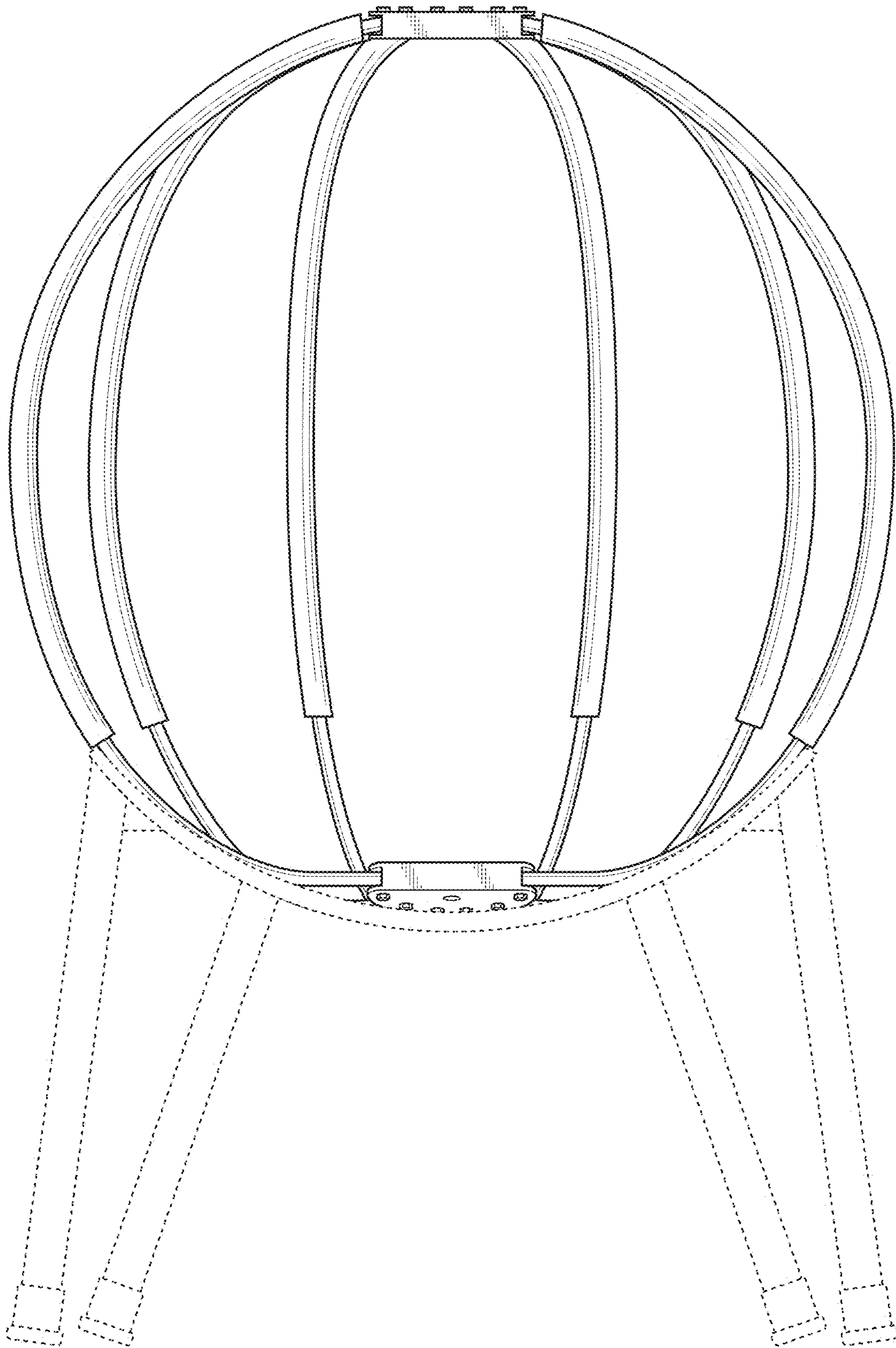


FIG. 10



**FIG. 11**

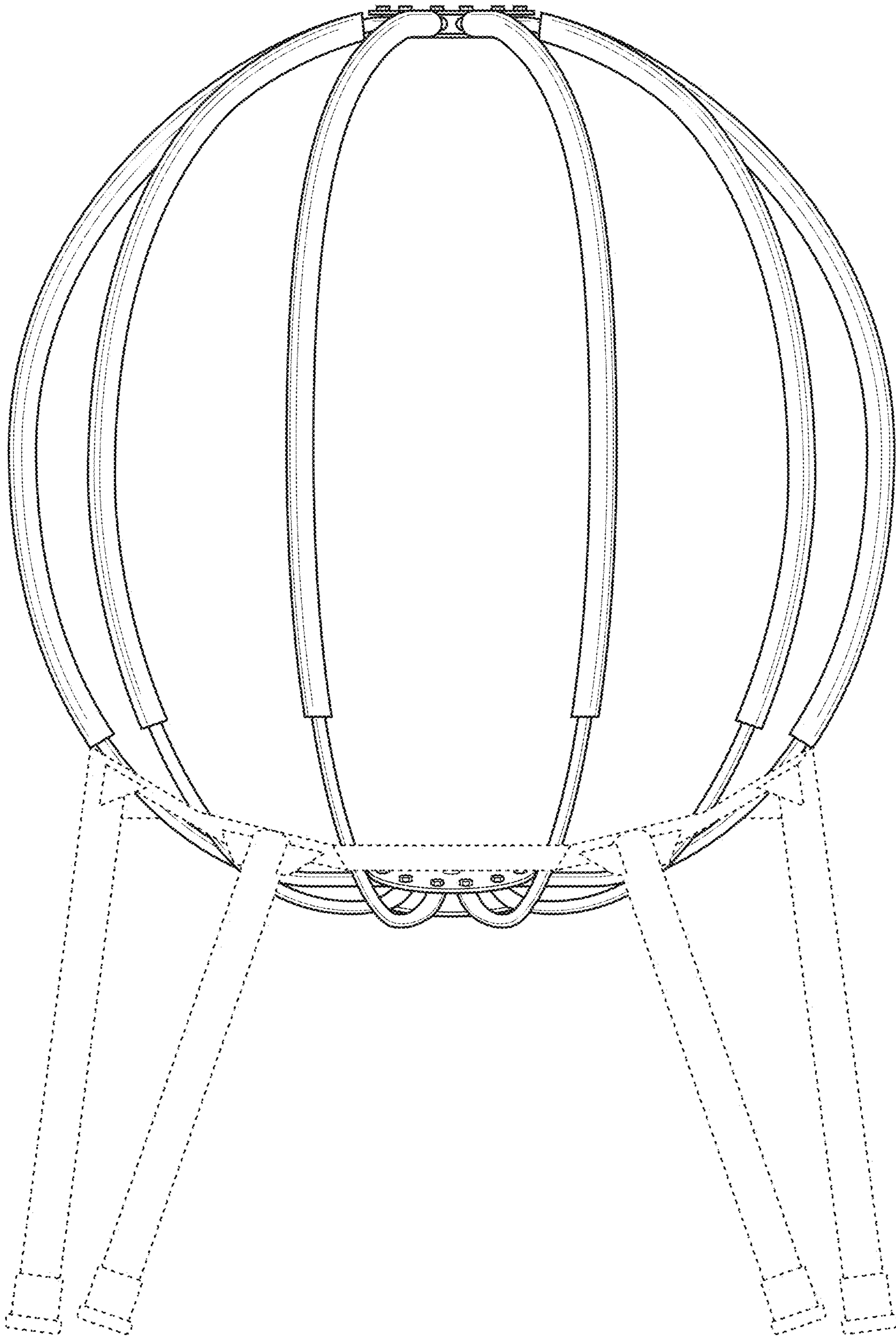


FIG. 12

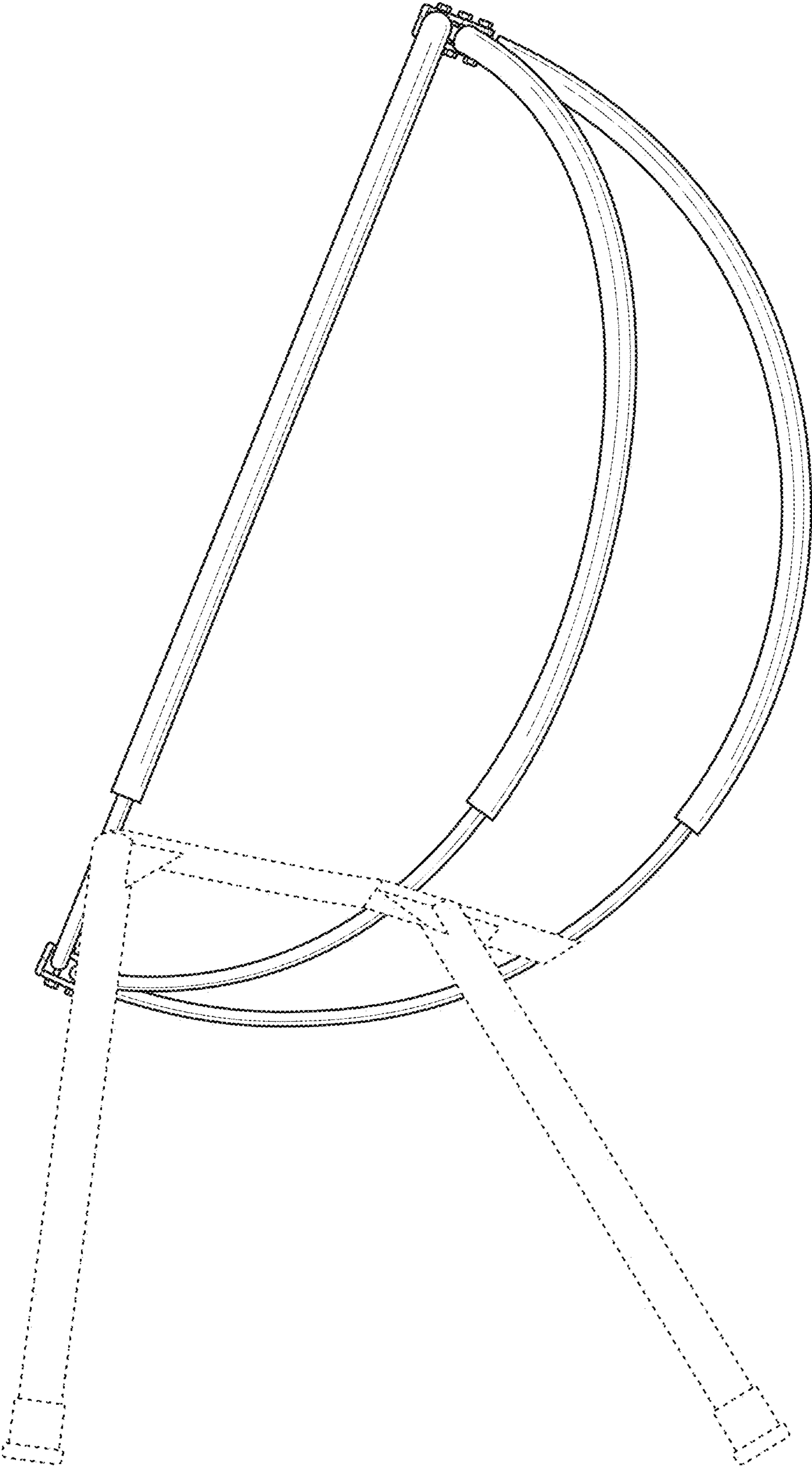


FIG. 13

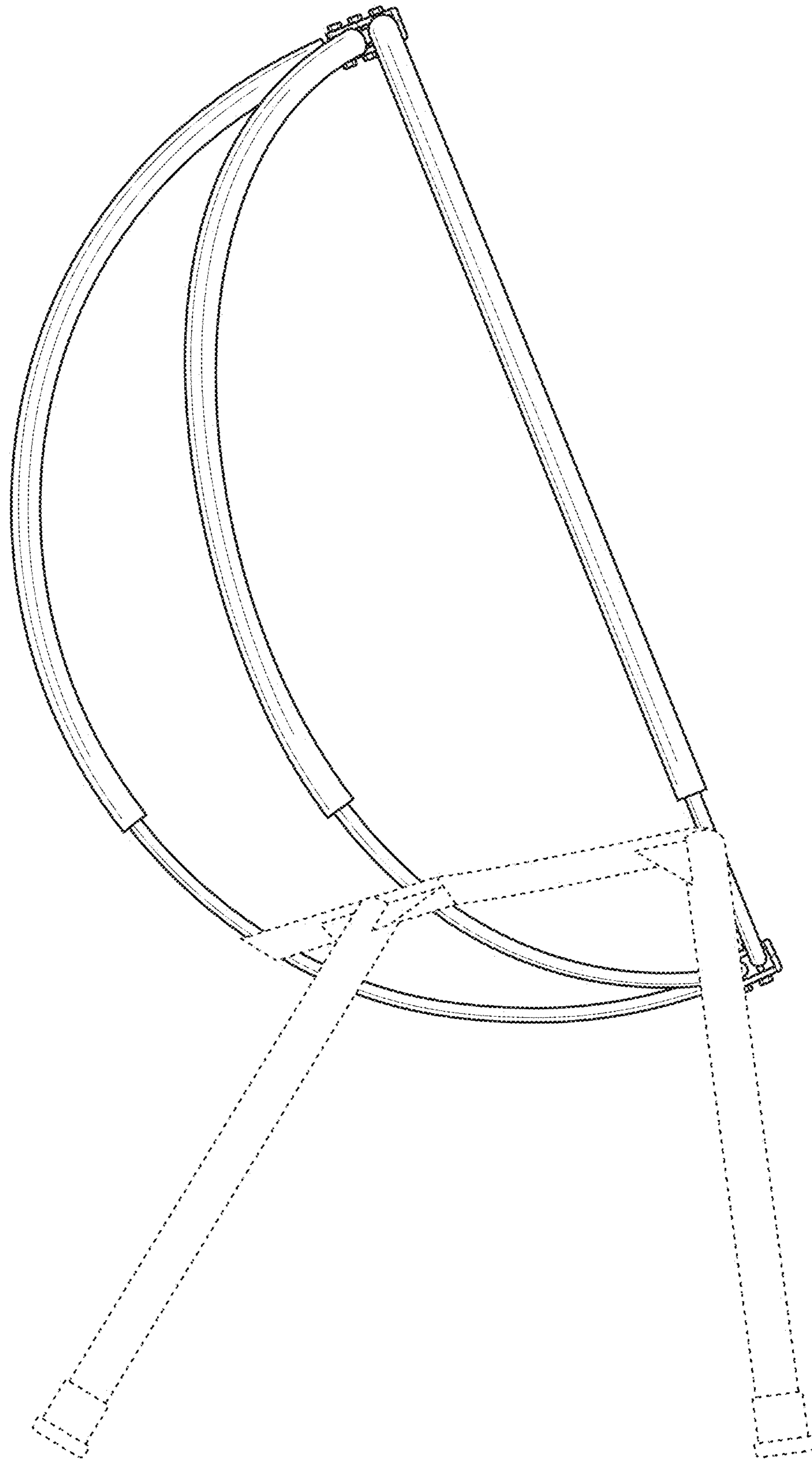




FIG. 14

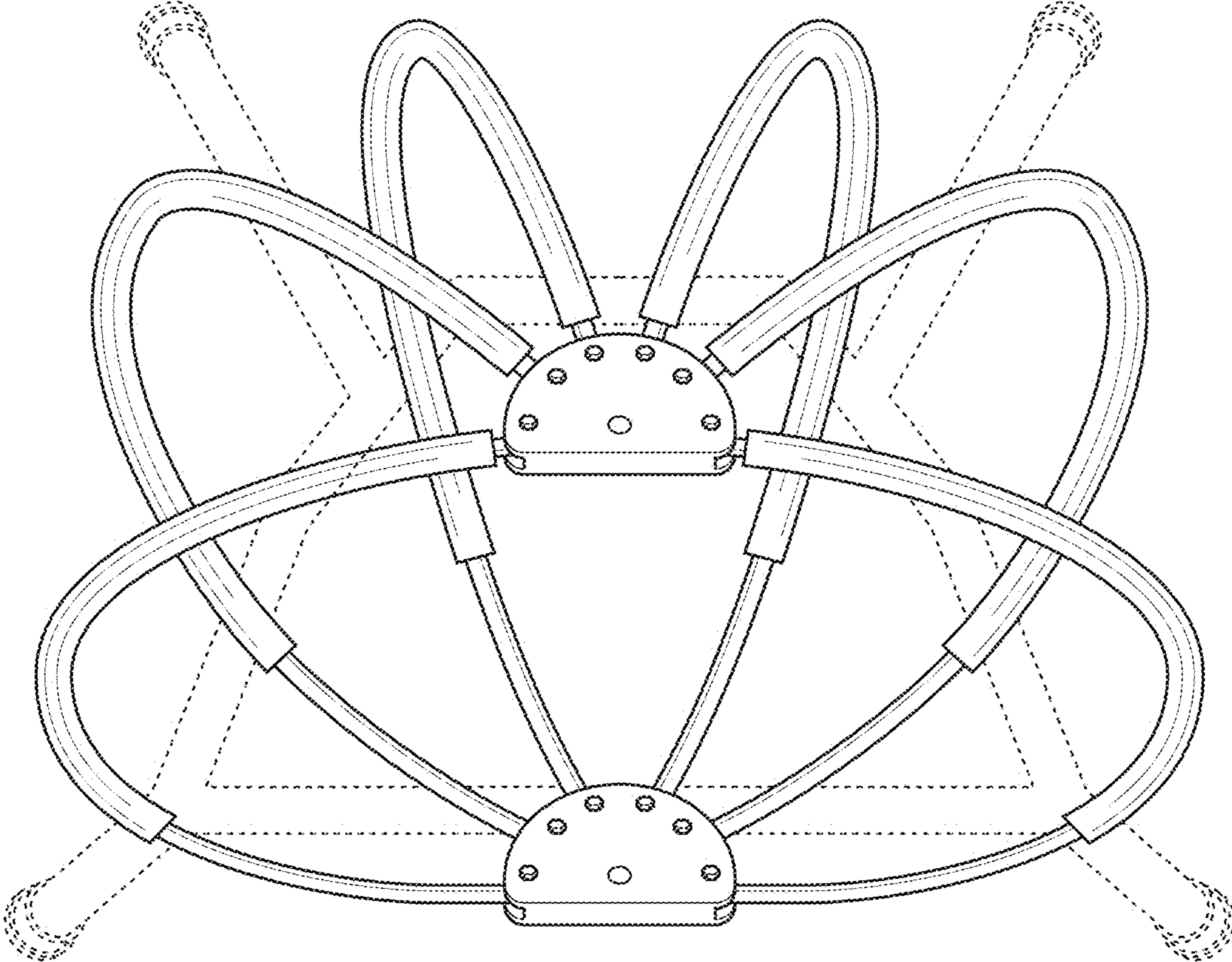


FIG. 15

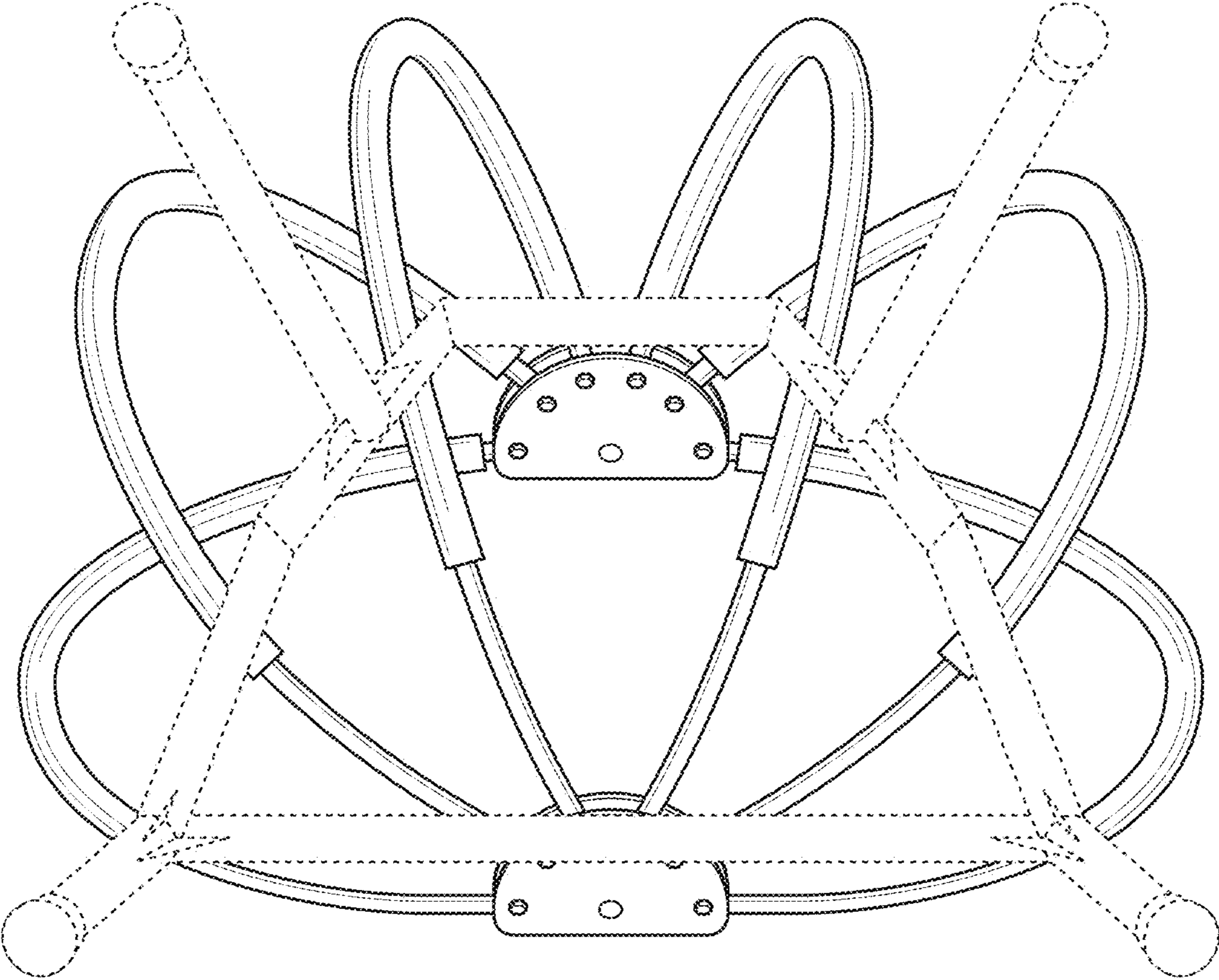


FIG. 16

