



US00D899110S

(12) **United States Design Patent**  
**King et al.**

(10) **Patent No.:** **US D899,110 S**

(45) **Date of Patent:** **\*\* Oct. 20, 2020**

(54) **ARTICLE OF FURNITURE**

(71) Applicant: **King Furniture Australia Pty Ltd.**,  
Turrella, NSW (AU)

(72) Inventors: **David King**, Turrella (AU); **Ryan Lawson**, Turrella (AU); **Anastasi Panagopoulos**, Turrella (AU); **Tanya Rechberger**, Turrella (AU)

(73) Assignee: **King Furniture Australia Pty Ltd.**,  
Turrella (AU)

(\*\*) Term: **15 Years**

(21) Appl. No.: **29/695,197**

(22) Filed: **Jun. 17, 2019**

**Related U.S. Application Data**

(62) Division of application No. 29/607,057, filed on Jun. 9, 2017, now Pat. No. Des. 851,416.

(30) **Foreign Application Priority Data**

Dec. 9, 2016 (AU) ..... 201616933  
Dec. 9, 2016 (AU) ..... 201616934

(Continued)

(51) **LOC (12) Cl.** ..... **06-01**

(52) **U.S. Cl.**  
USPC ..... **D6/334; D6/381**

(58) **Field of Classification Search**  
USPC ..... D6/334-338, 360, 361, 367, 368, 371,  
D6/372-375, 379, 381

(Continued)

(56) **References Cited**

**U.S. PATENT DOCUMENTS**

D238,914 S \* 2/1976 Zapf ..... D6/334  
D240,096 S 6/1976 Haggstam et al.

(Continued)

*Primary Examiner* — Deanna L Pratt

(74) *Attorney, Agent, or Firm* — Banner & Witcoff, Ltd.

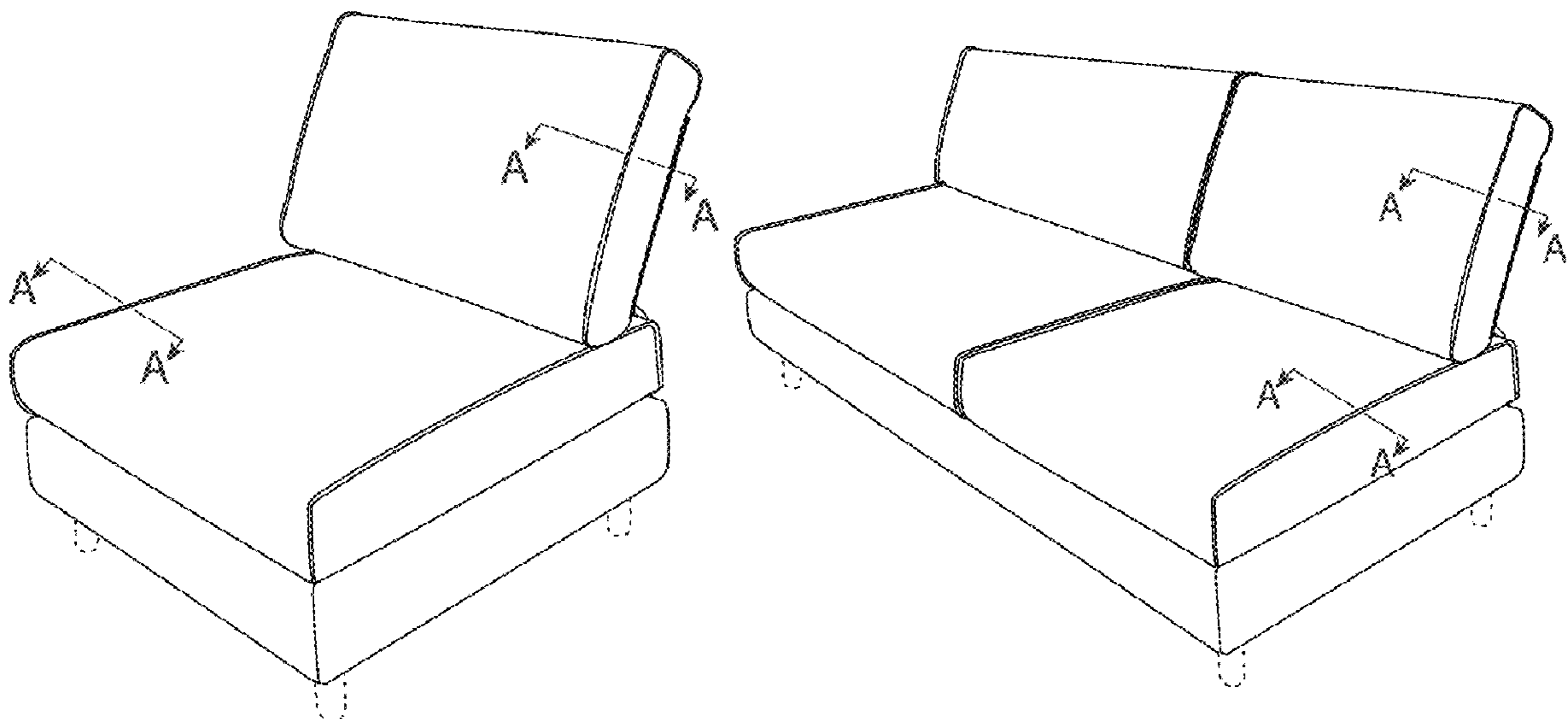
(57) **CLAIM**

The ornamental design for an article of furniture, as shown and described.

**DESCRIPTION**

FIG. 1 is a perspective, front view of a first embodiment of an article of furniture;  
FIG. 2 is a plan view thereof;  
FIG. 3 is a rear view thereof;  
FIG. 4 is a right side view thereof;  
FIG. 5 is a front view thereof;  
FIG. 6 is a left side view thereof;  
FIG. 7 is a perspective, rear view thereof;  
FIG. 8 is a sectional view taken along lines A-A in each of FIGS. 1, 9, and 16, of the drawings;  
FIG. 9 is a perspective, front view of a second embodiment of an article of furniture;  
FIG. 10 is a plan view thereof;  
FIG. 11 is a rear view thereof;  
FIG. 12 is a right side view thereof;  
FIG. 13 is a front view thereof;  
FIG. 14 is a left side view thereof;  
FIG. 15 is a perspective, rear view thereof;  
FIG. 16 is a perspective, front view of a third embodiment of an article of furniture;  
FIG. 17 is a plan view thereof;  
FIG. 18 is a rear view thereof;  
FIG. 19 is a right side view thereof;  
FIG. 20 is a front view thereof;  
FIG. 21 is a left side view thereof; and,  
FIG. 22 is a perspective, rear view thereof.  
The broken lines illustrate portions of the article of furniture that form no part of the claimed design.

**1 Claim, 3 Drawing Sheets**





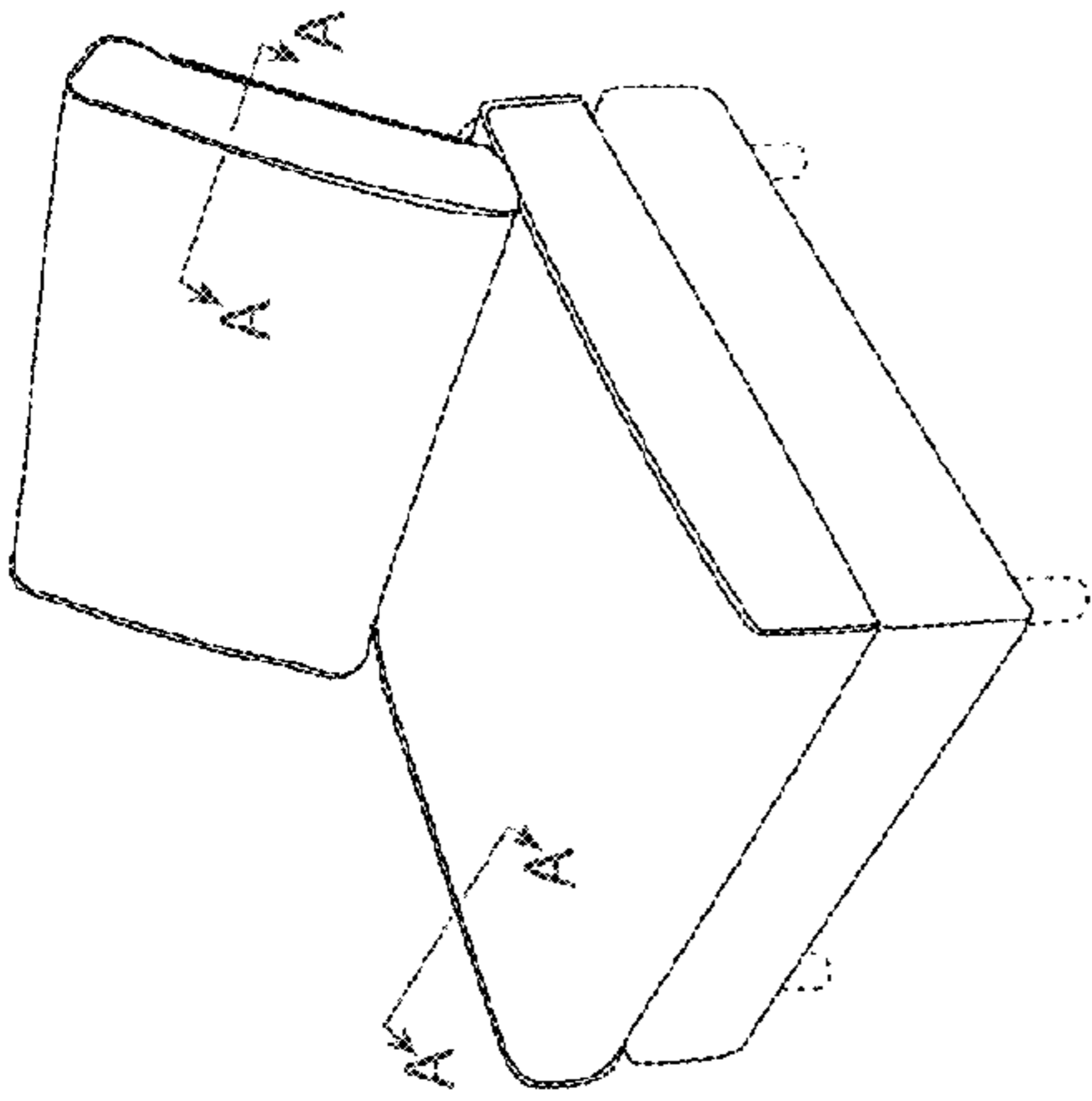


FIG. 1

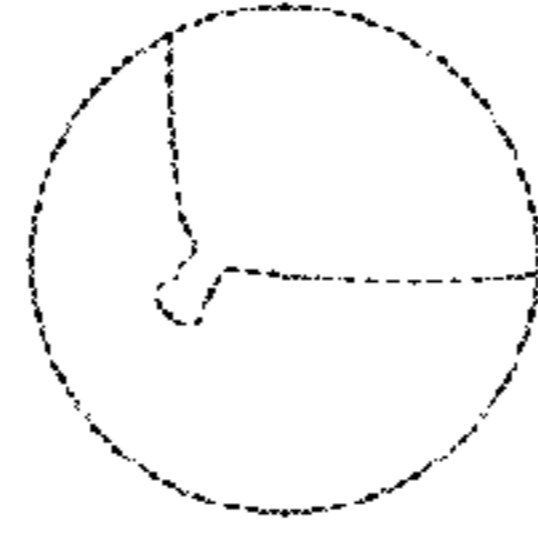


FIG. 8

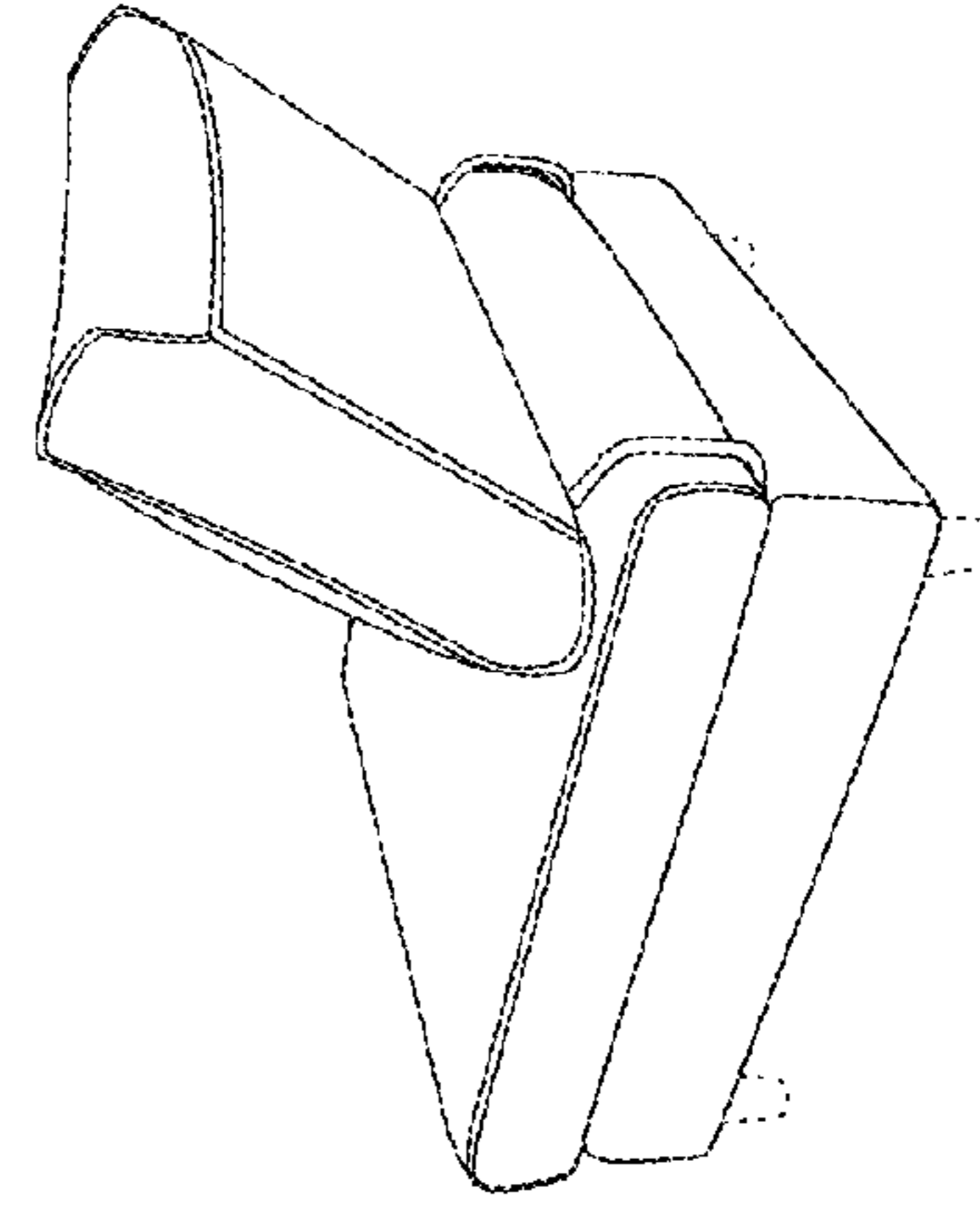


FIG. 7

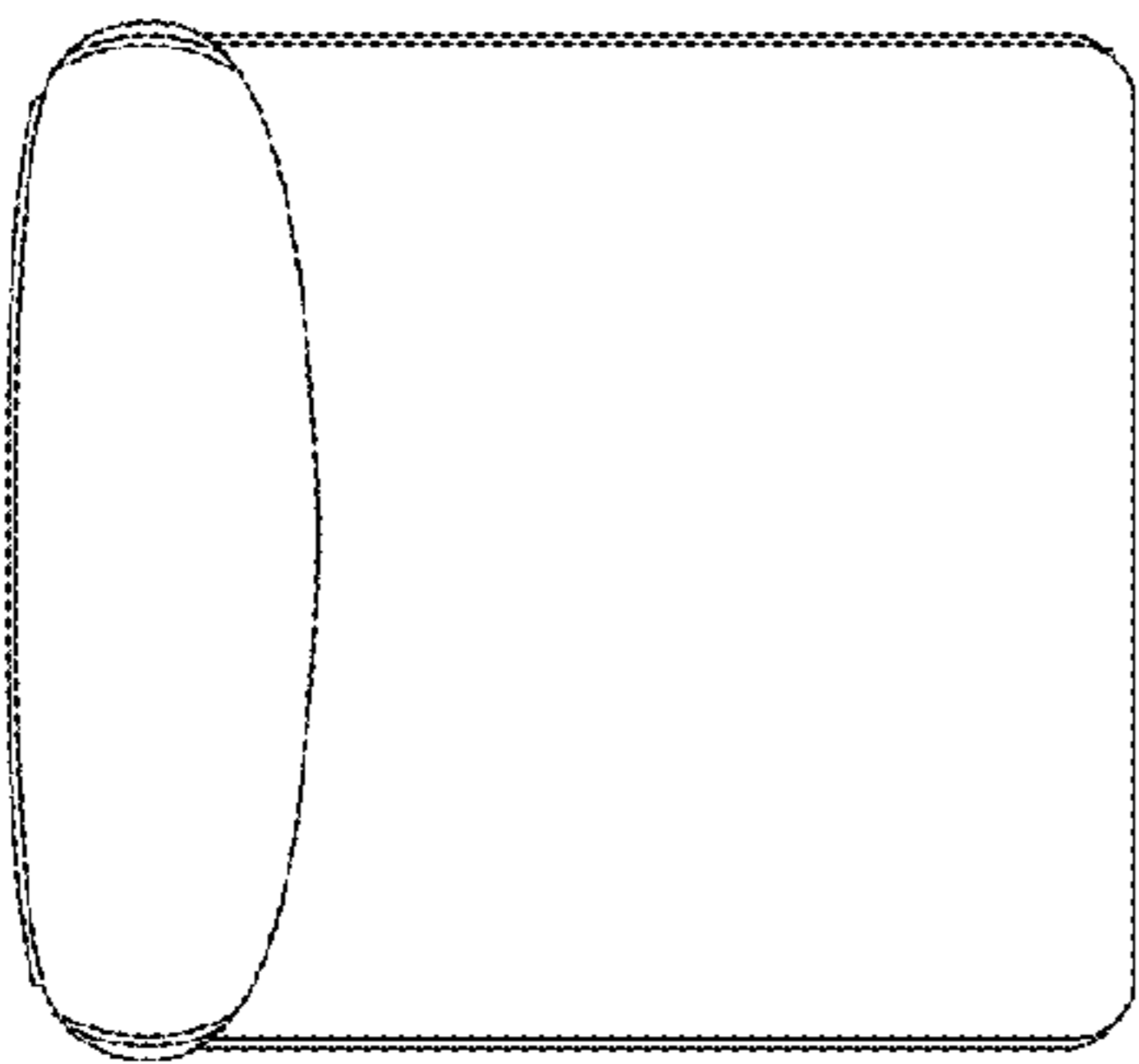


FIG. 2

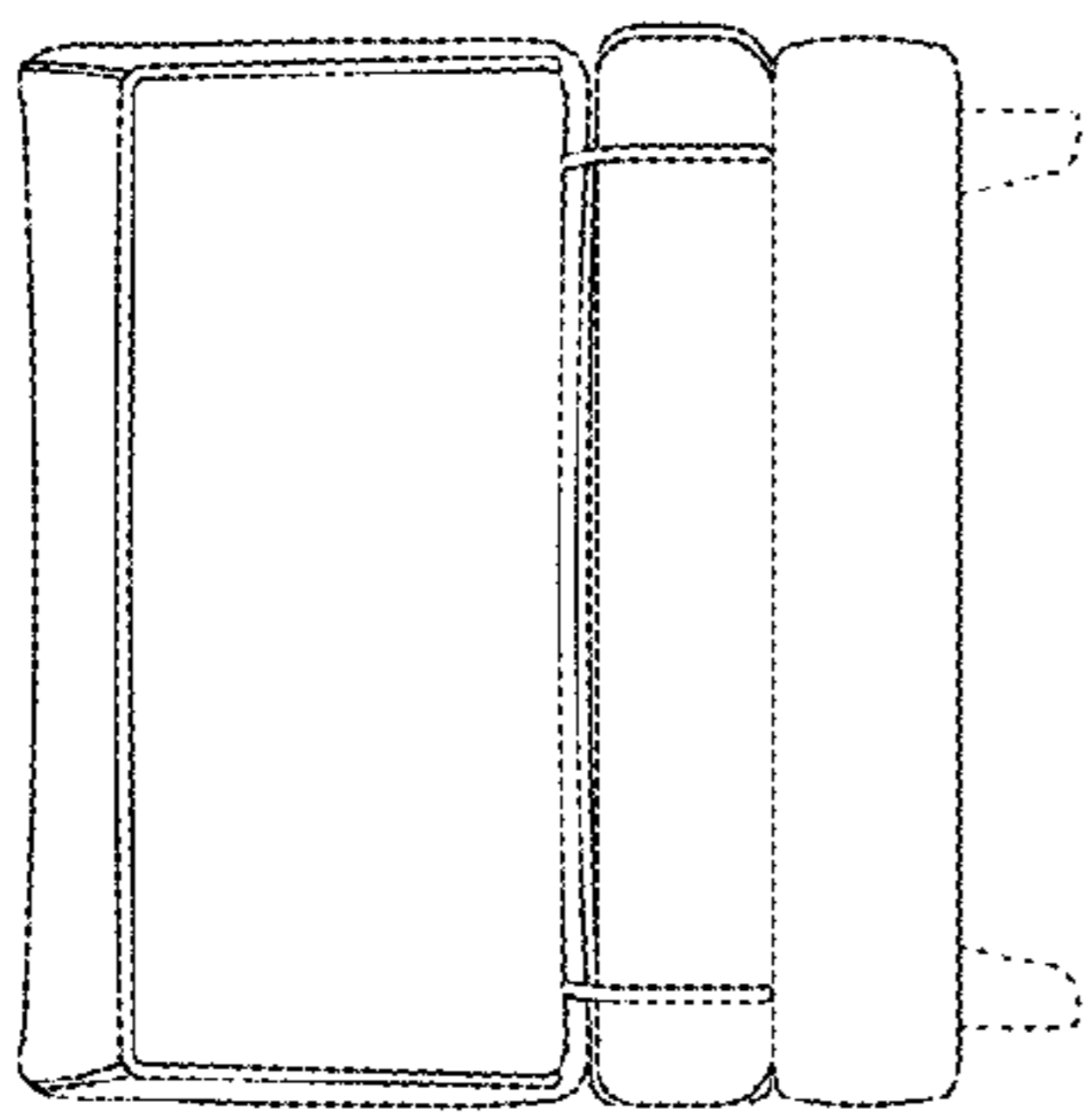


FIG. 3

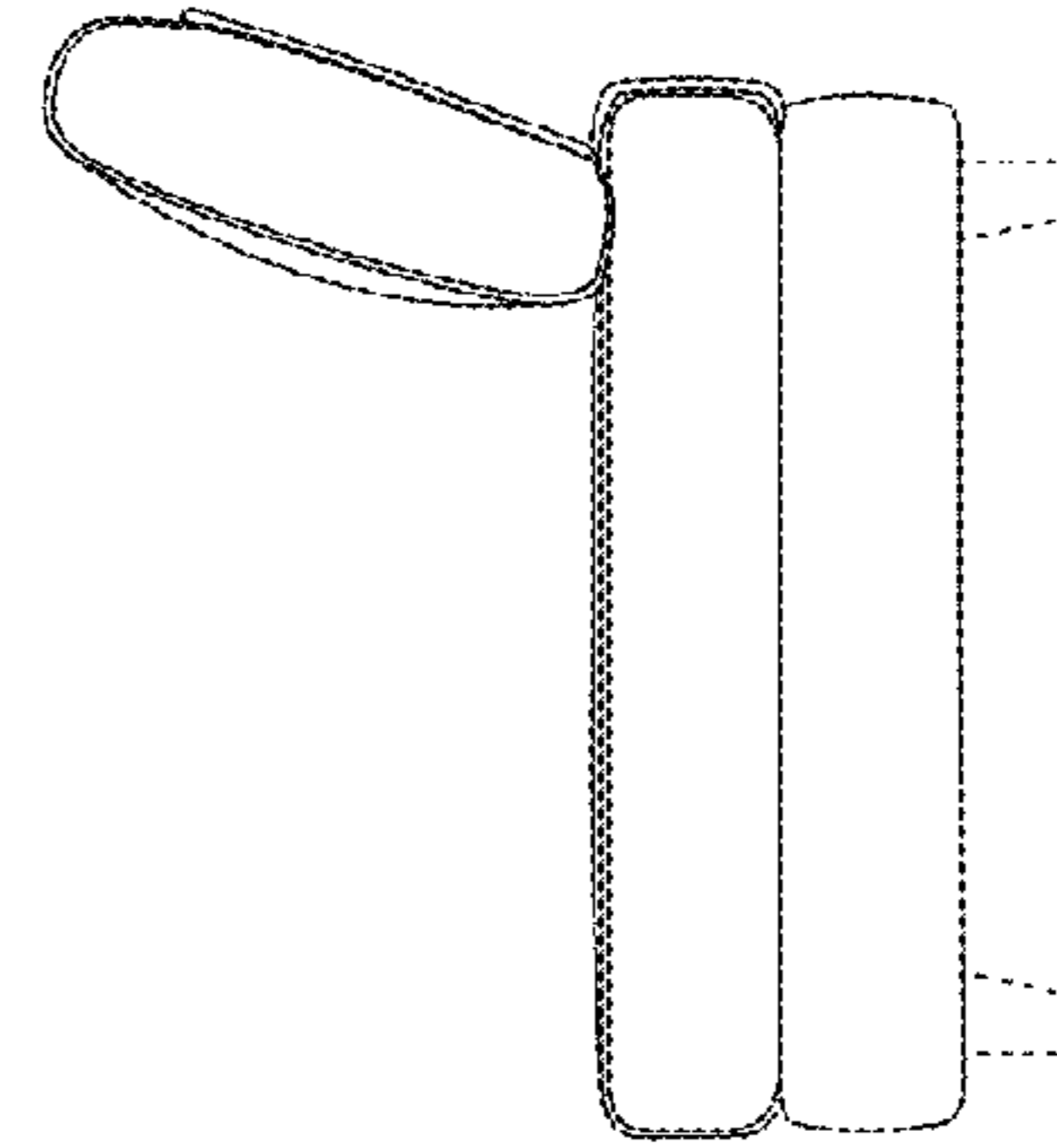


FIG. 6

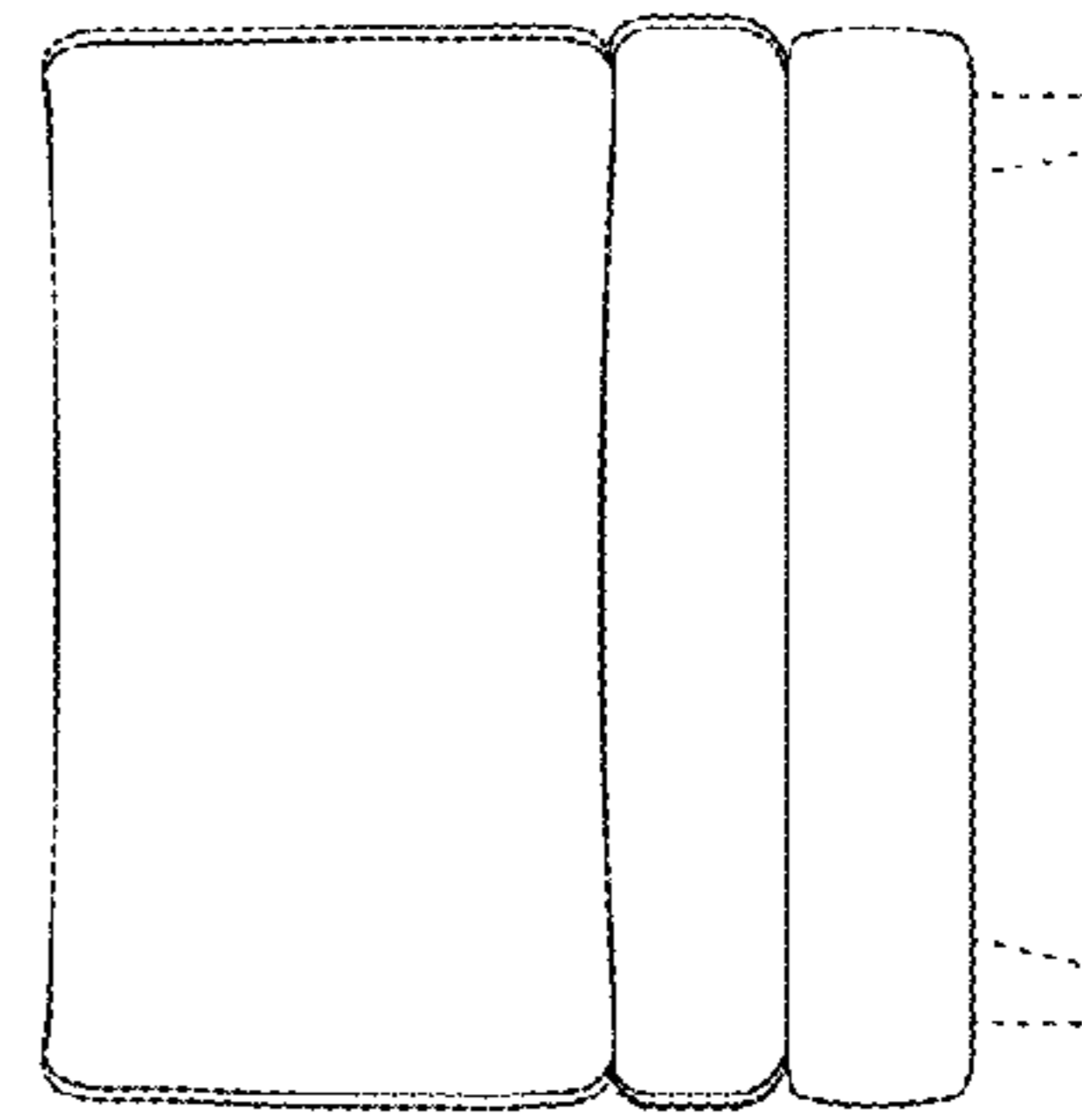


FIG. 5

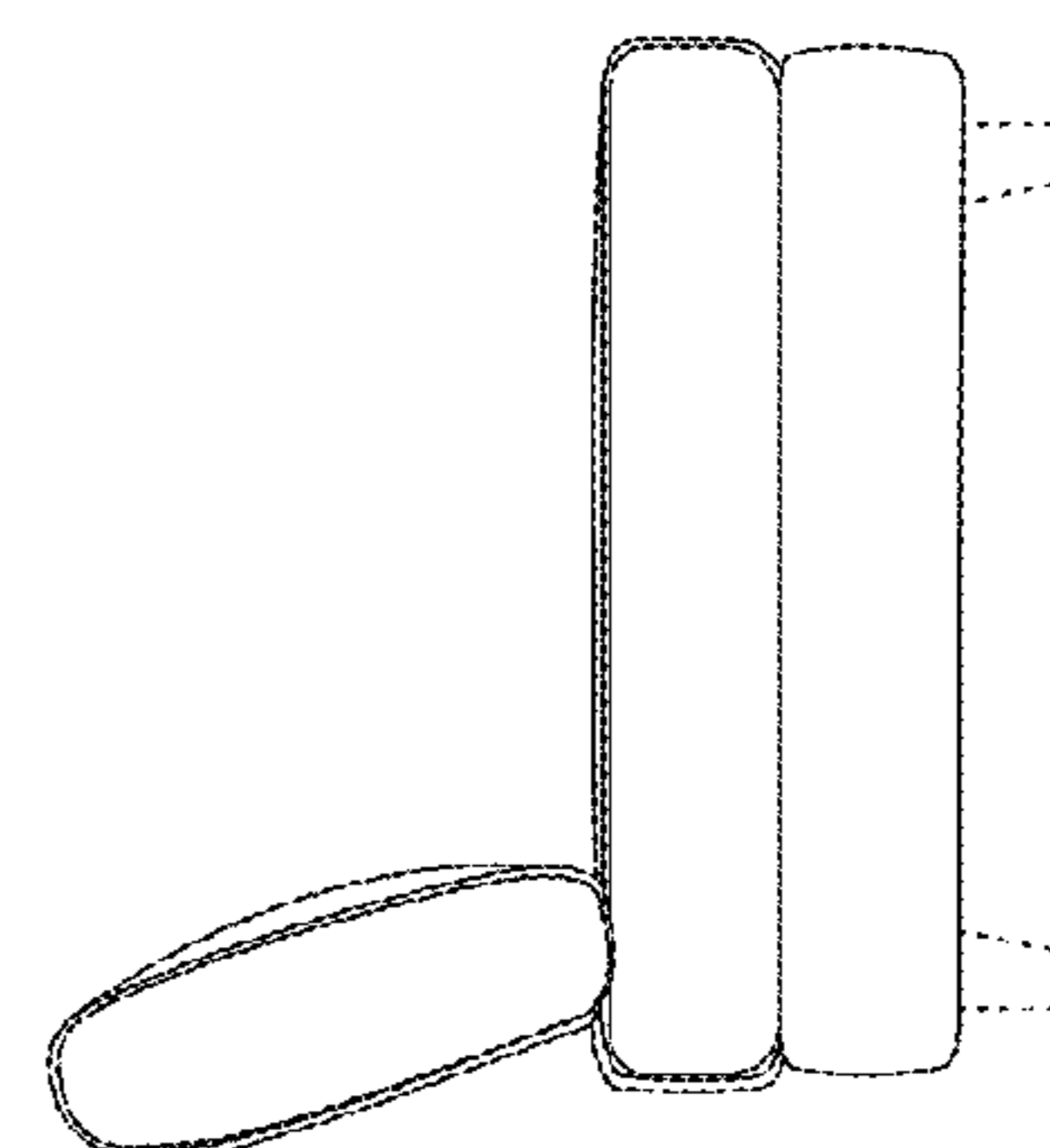


FIG. 4

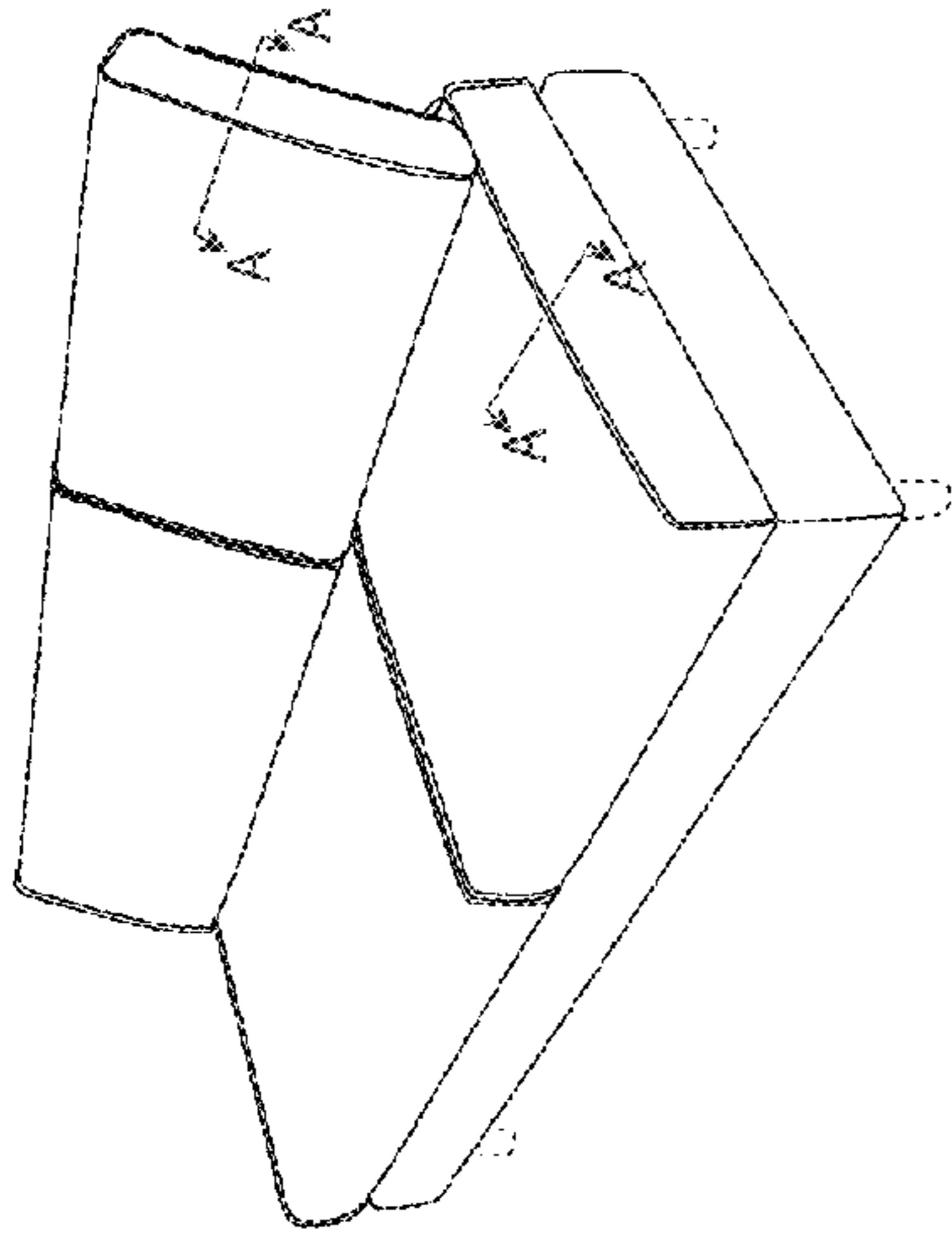


FIG. 9

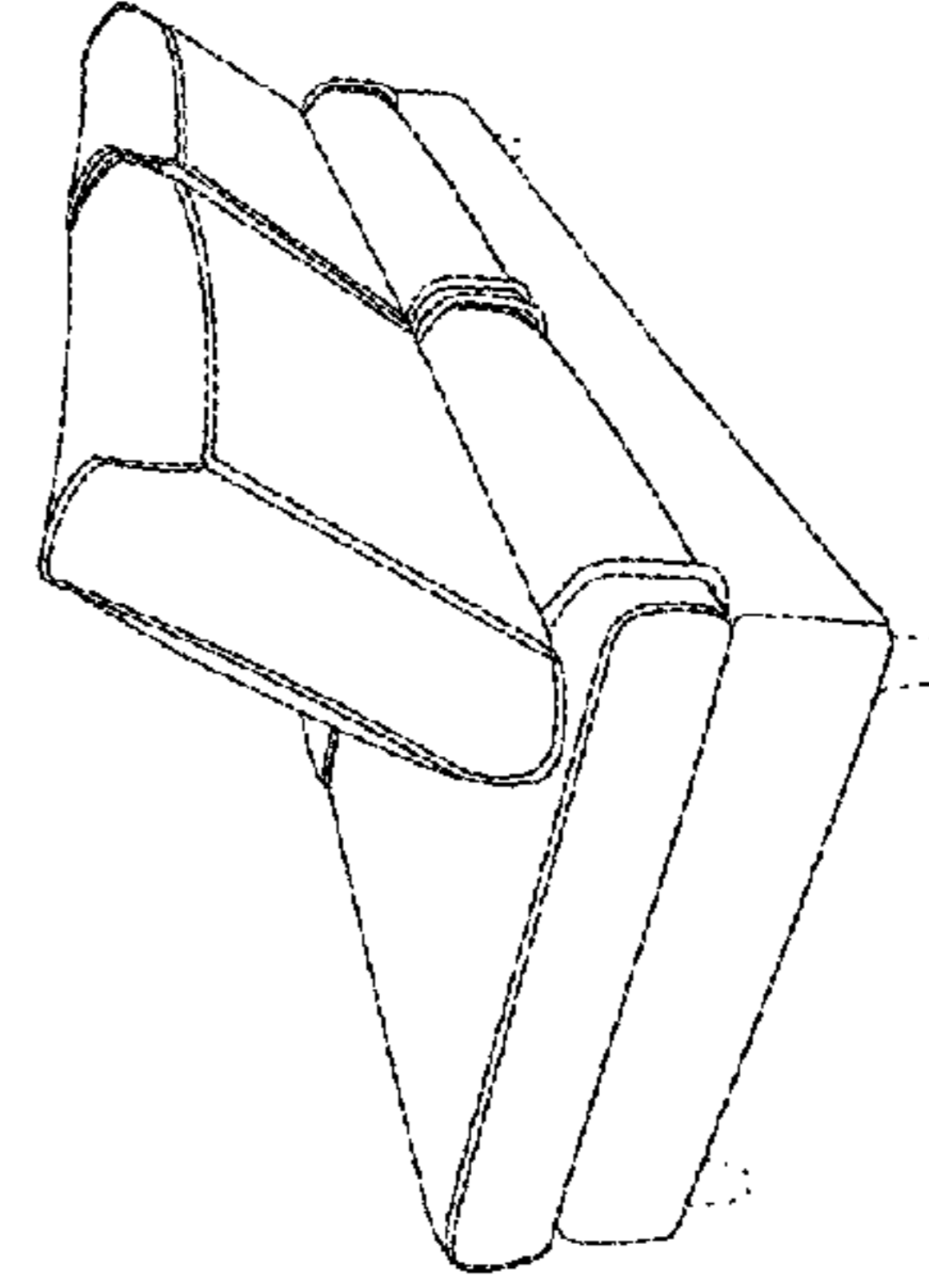


FIG. 15

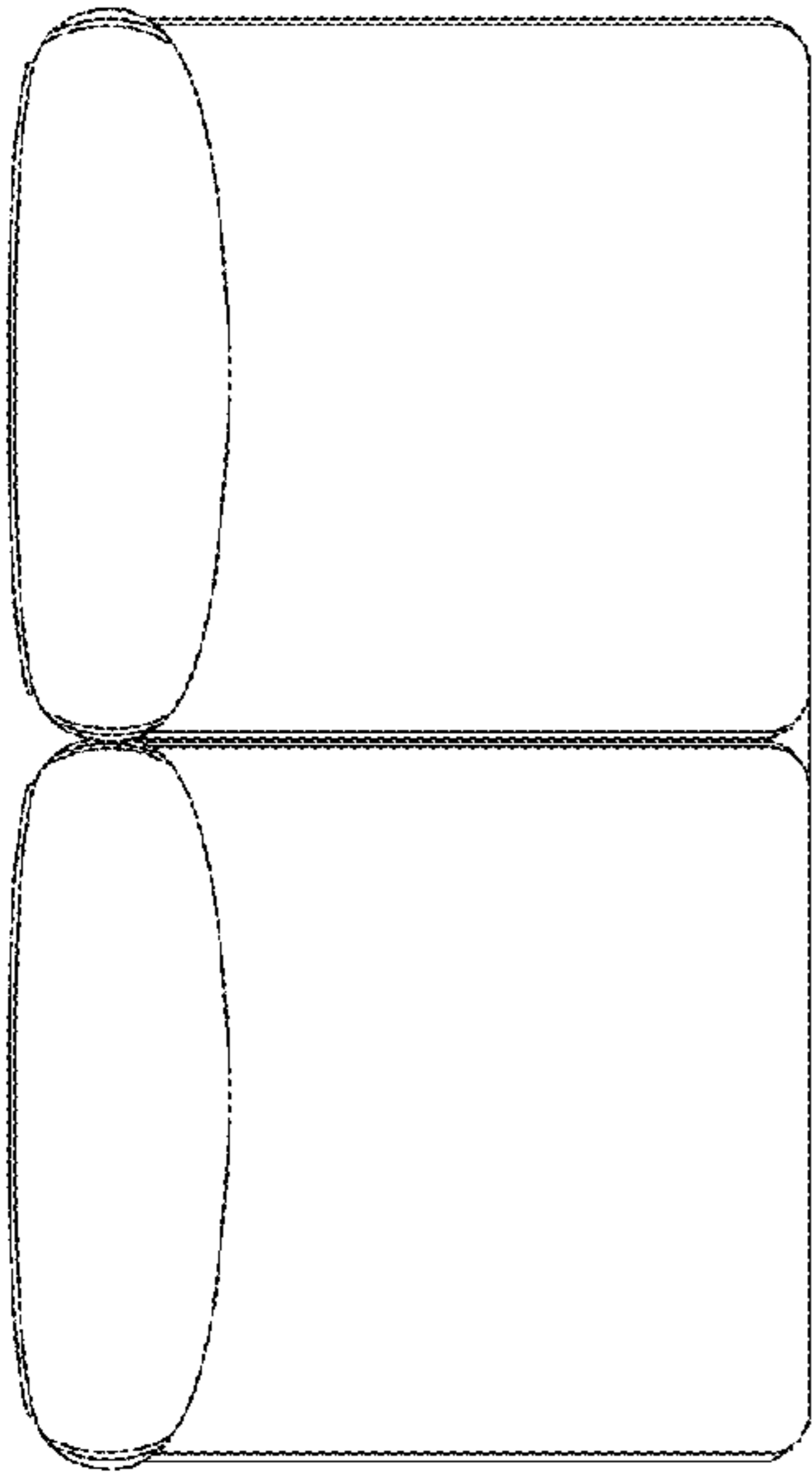


FIG. 10

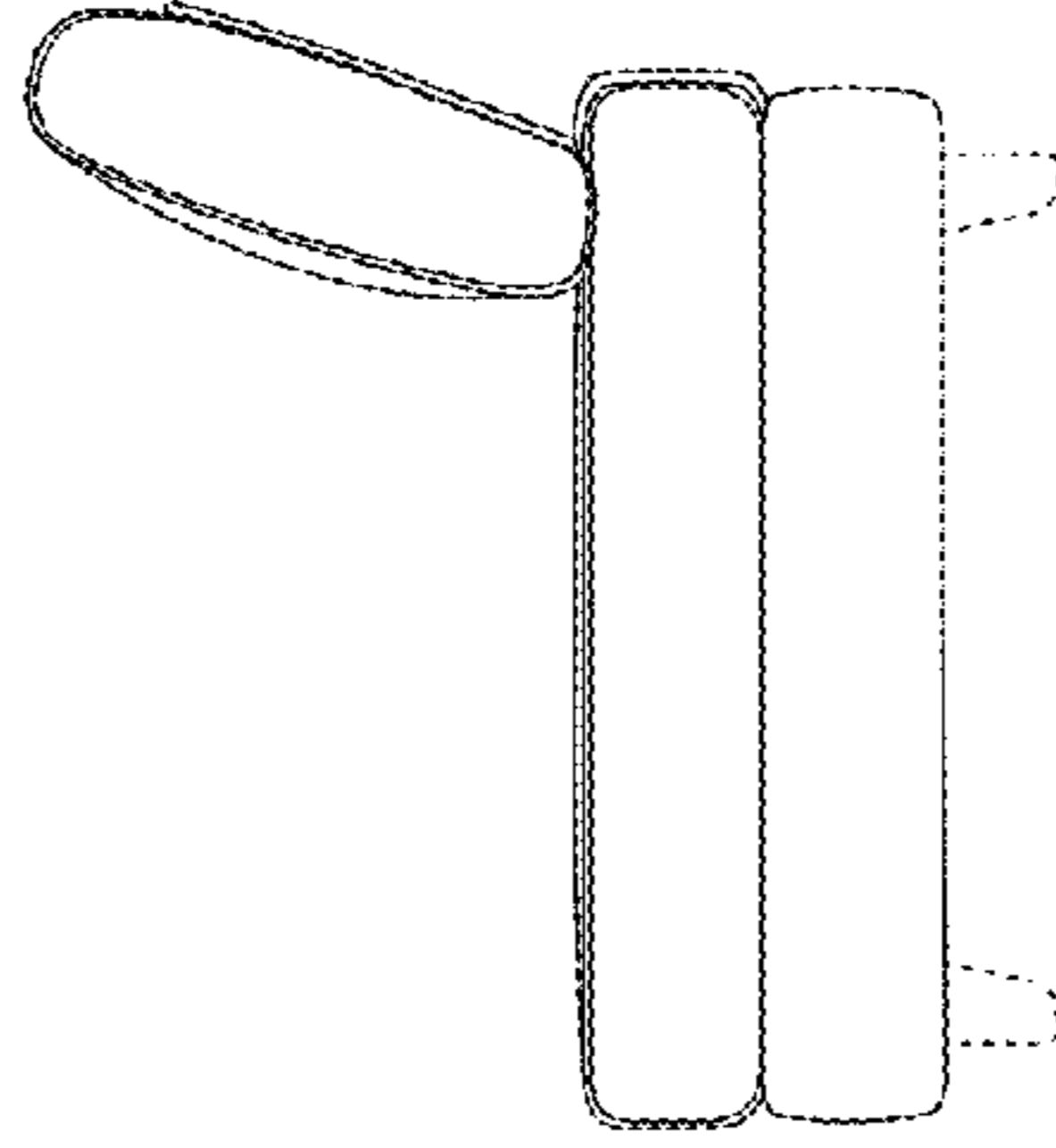


FIG. 14

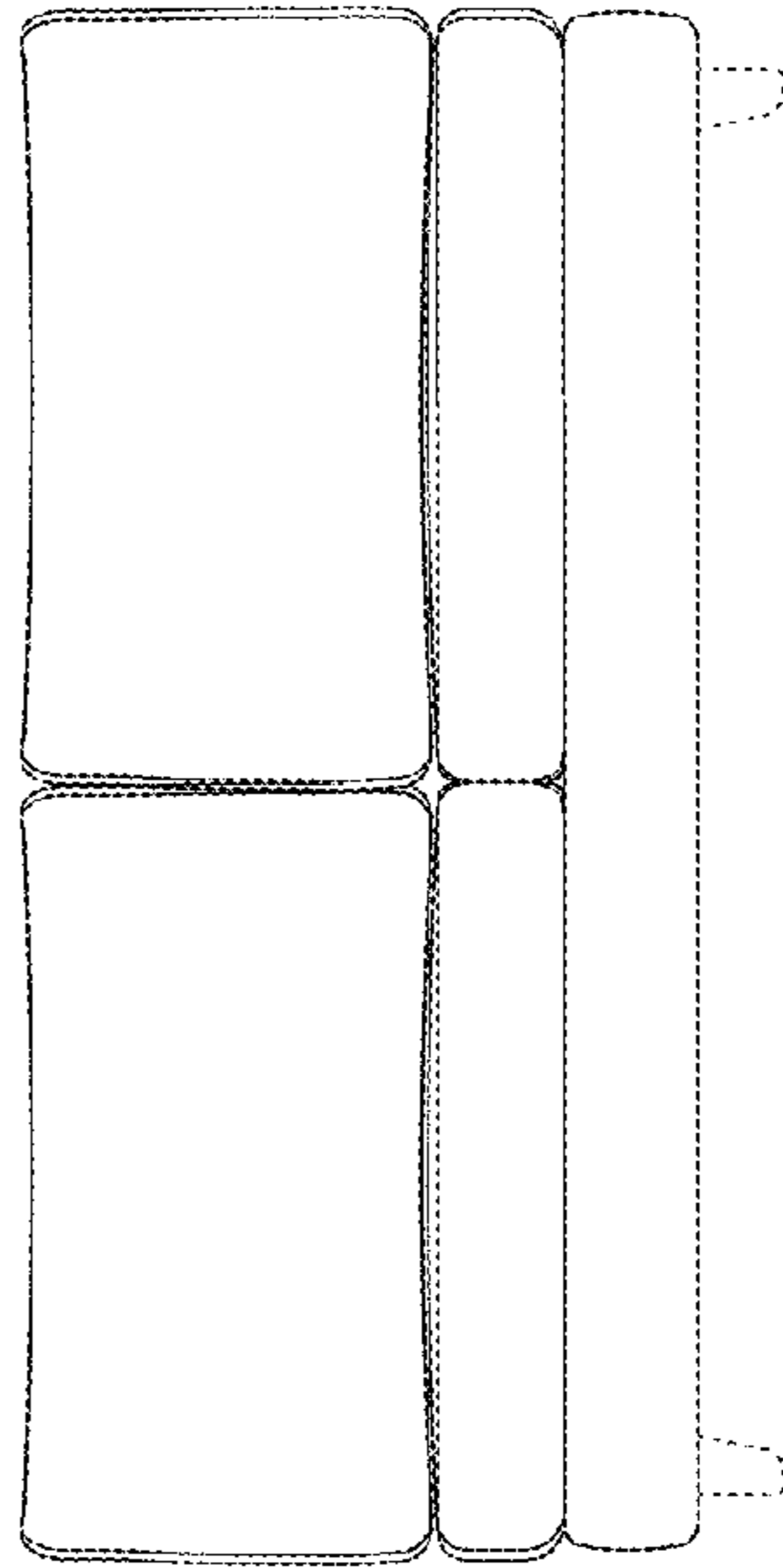


FIG. 13

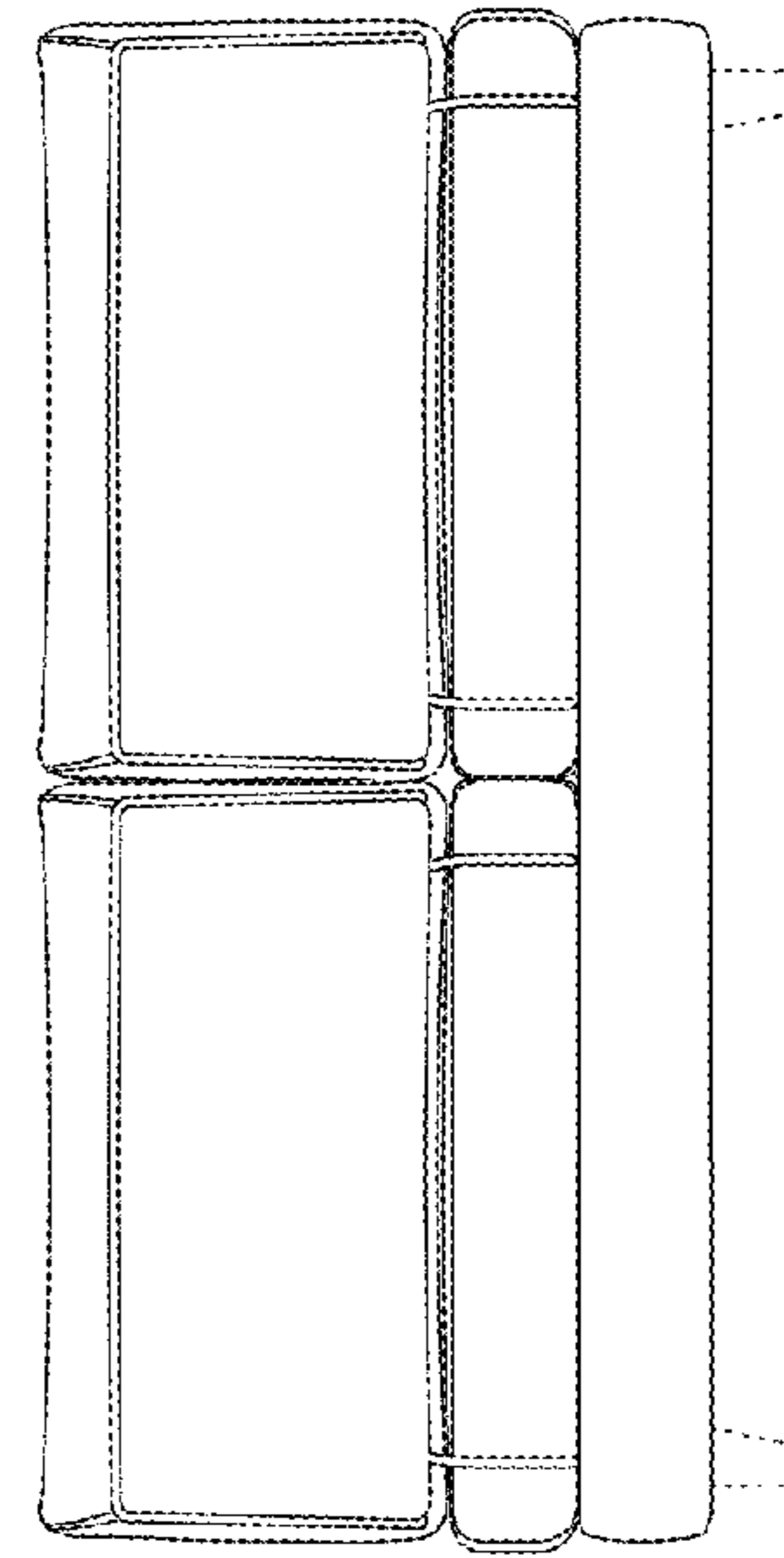


FIG. 11

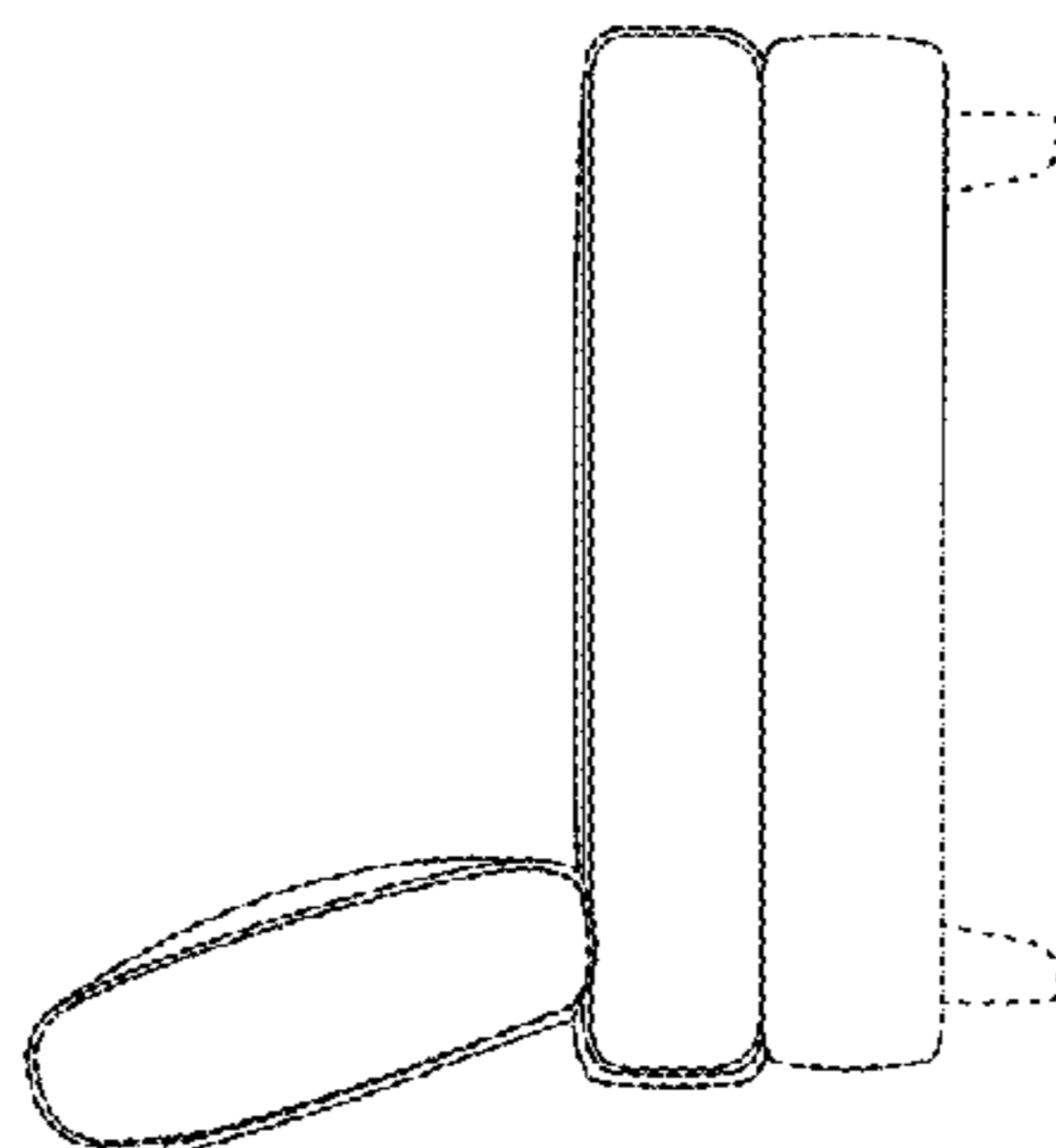


FIG. 12



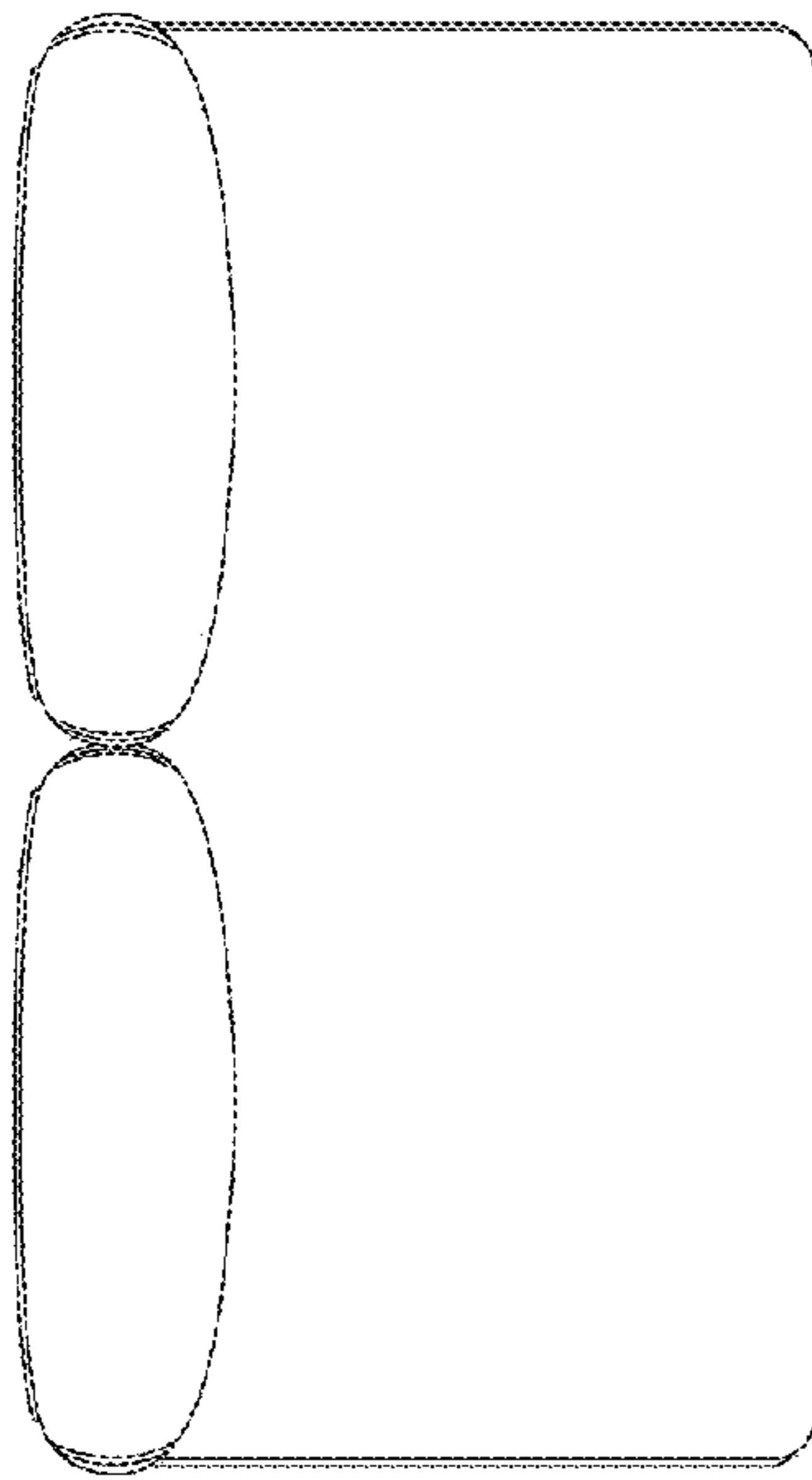


FIG. 17

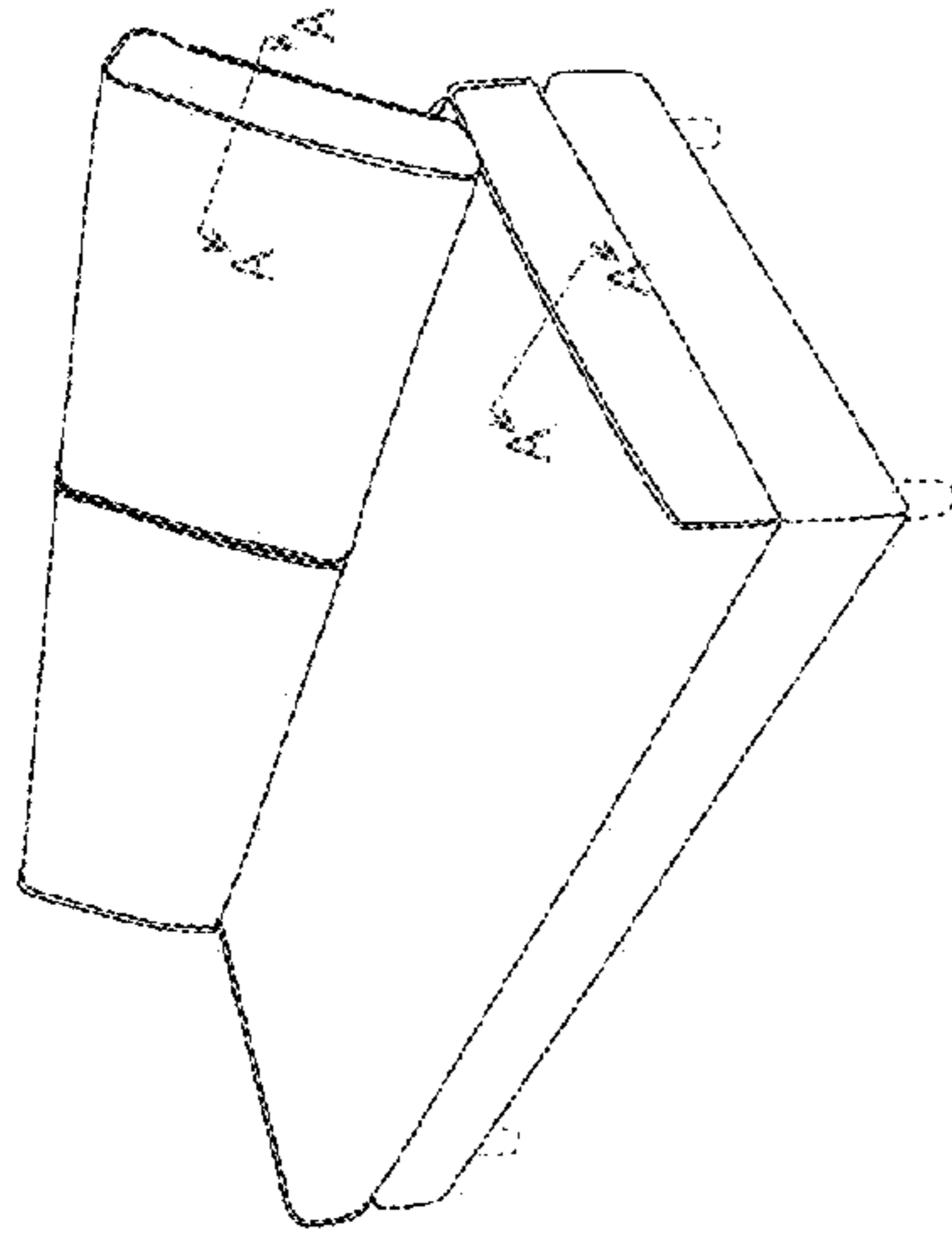


FIG. 16

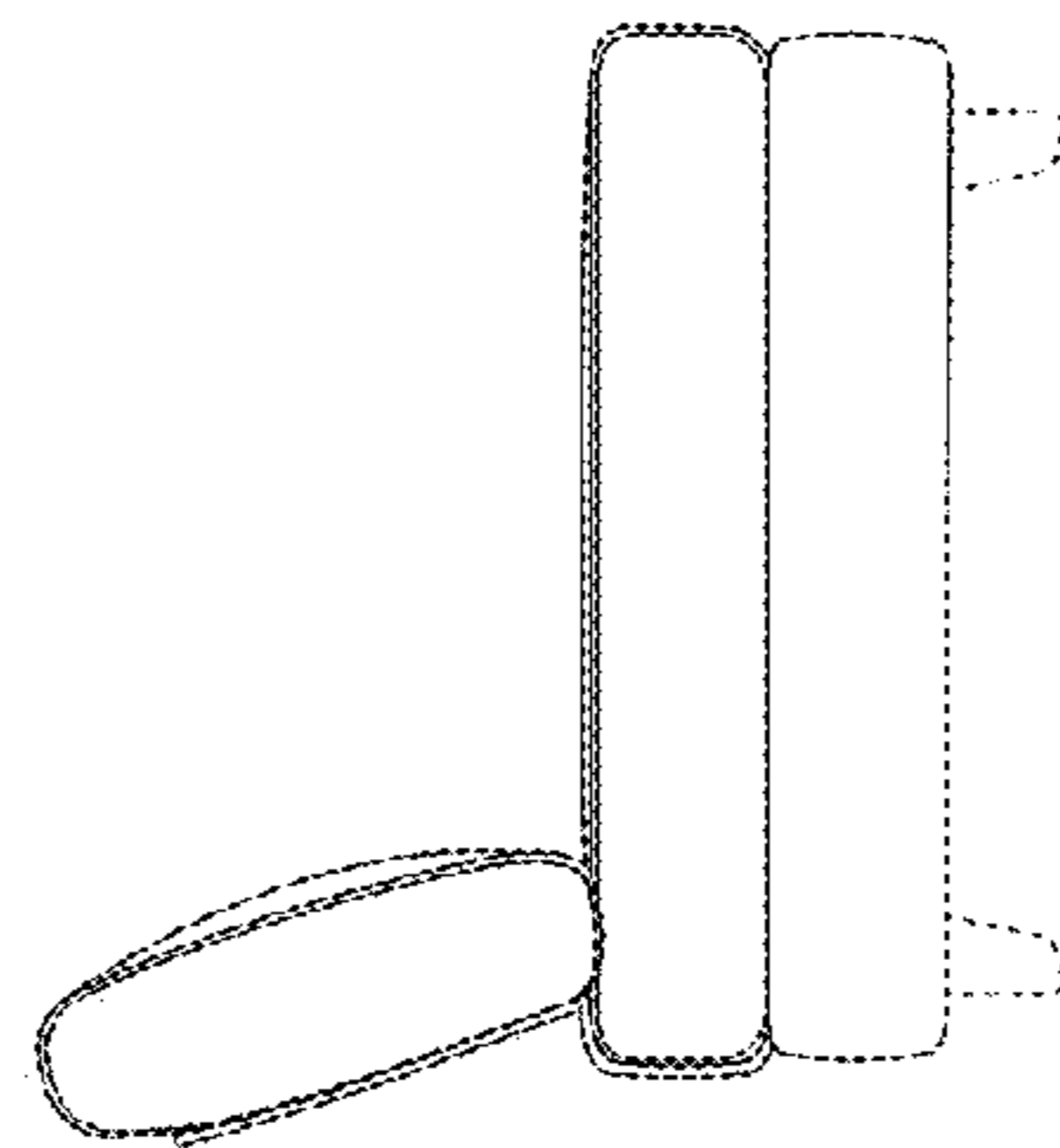


FIG. 19

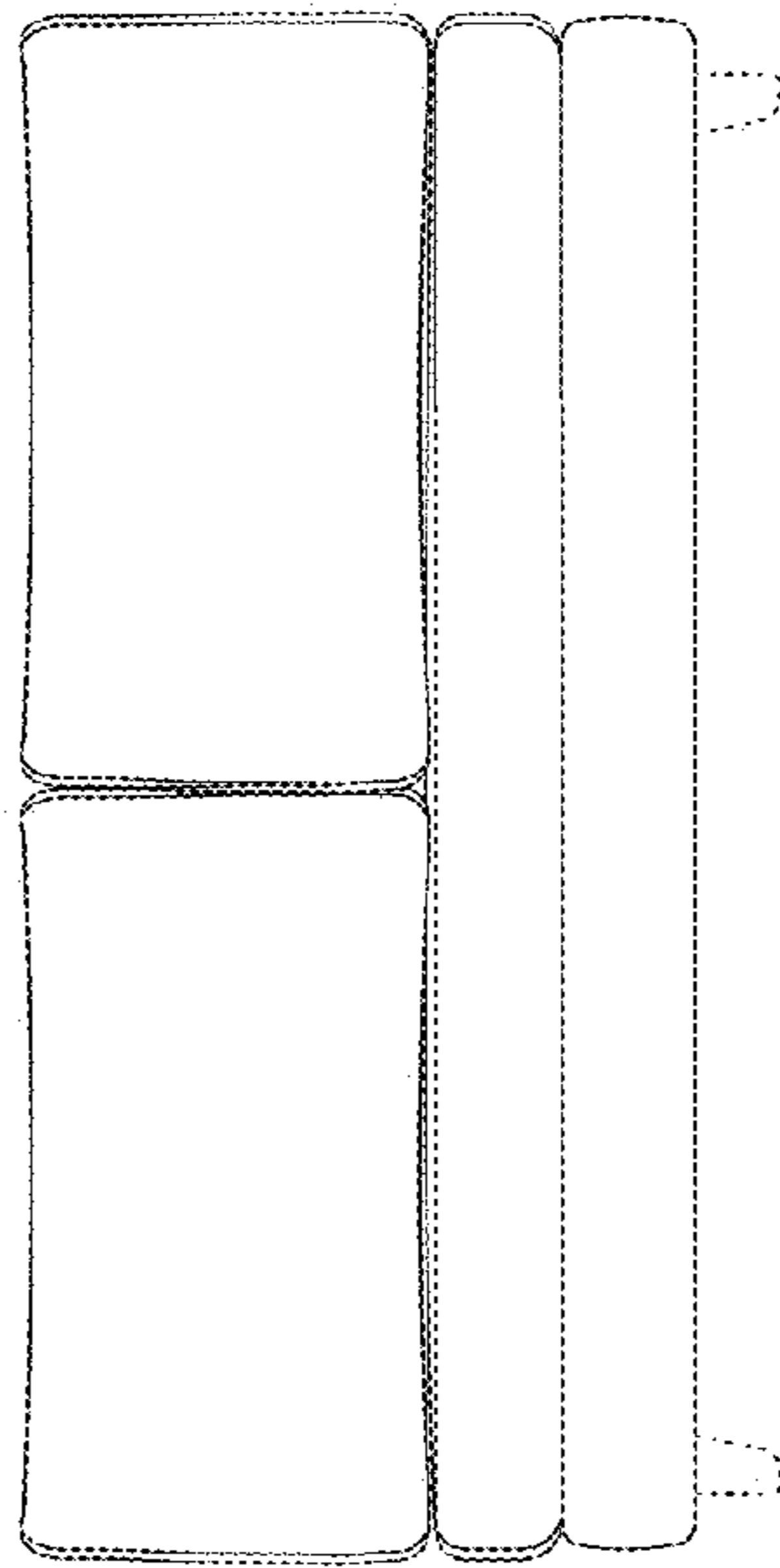


FIG. 20

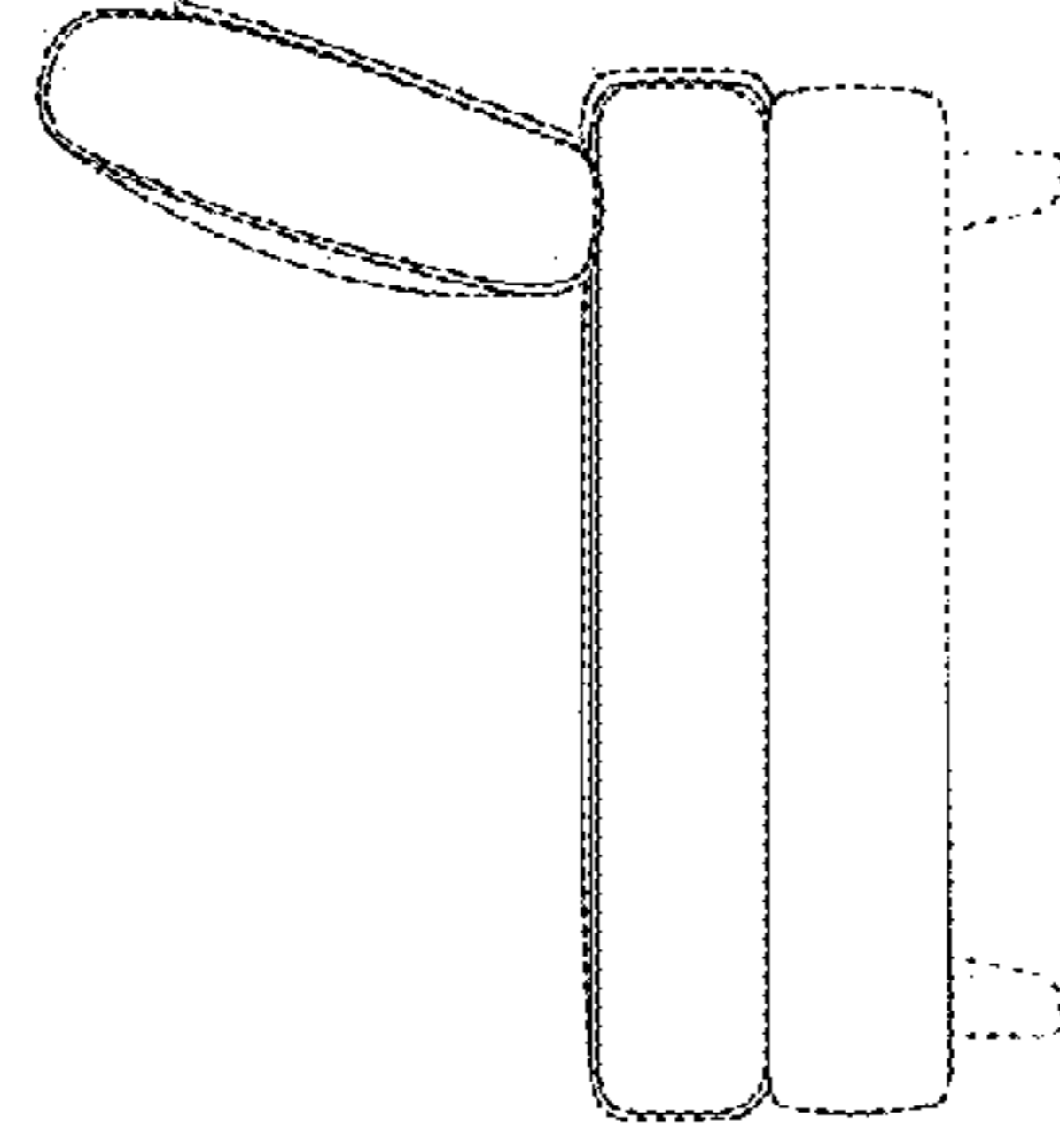


FIG. 21

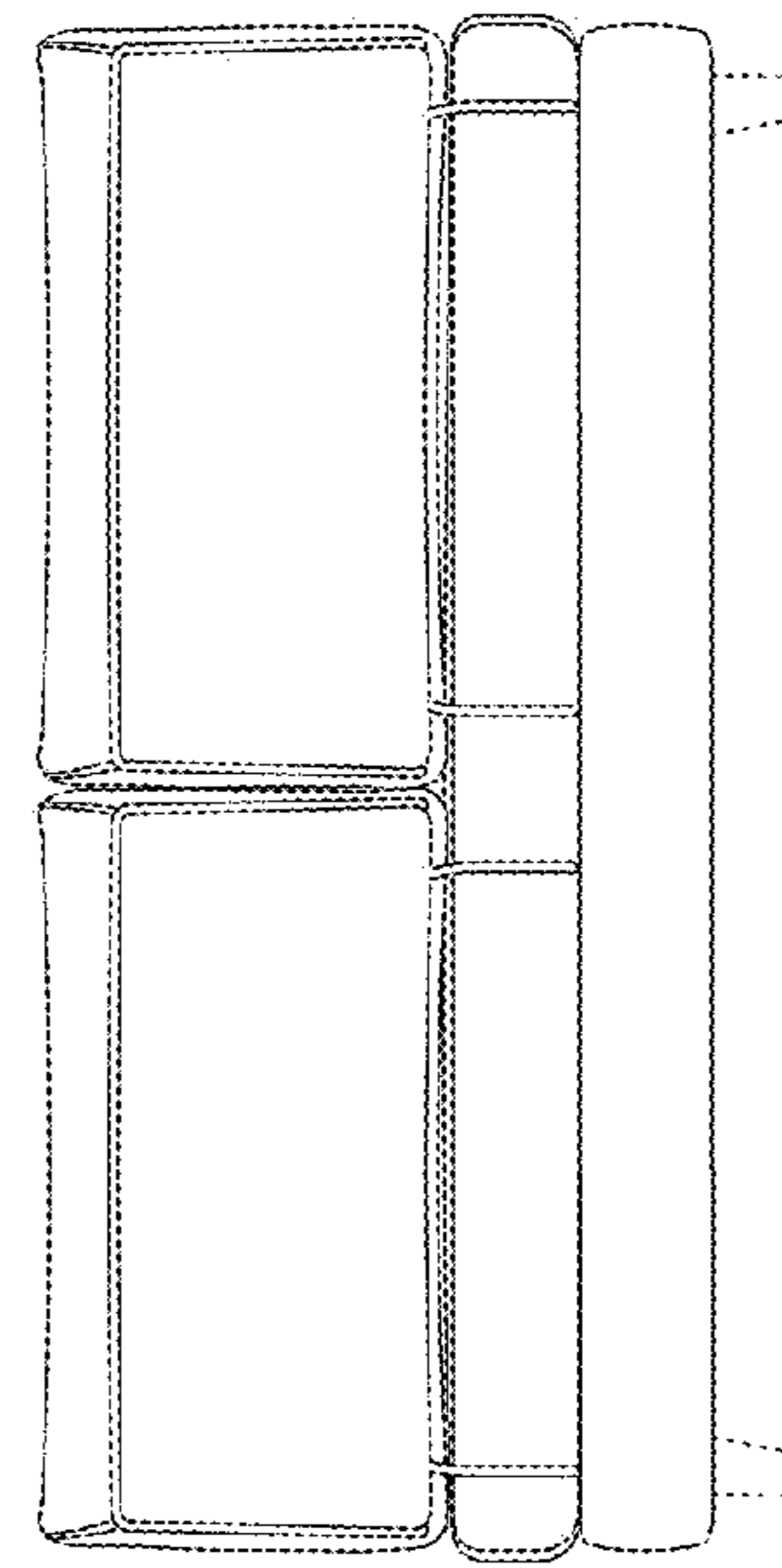


FIG. 18

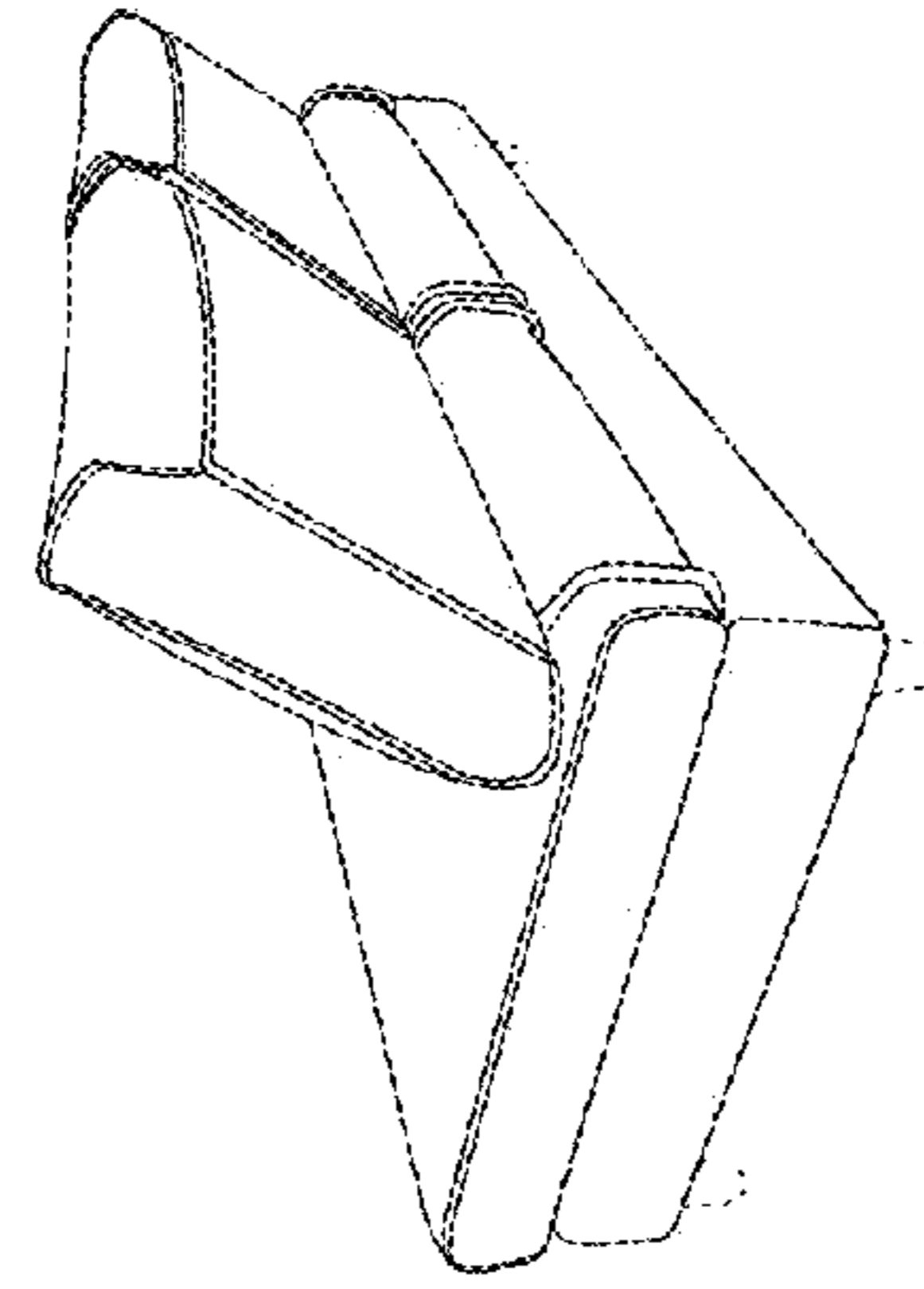


FIG. 22