



US00D899109S

(12) **United States Design Patent** (10) **Patent No.:** **US D899,109 S**
Chao (45) **Date of Patent:** **** Oct. 20, 2020**

- (54) **FRAME FOR A SEATING UNIT**
- (71) Applicant: **Eagle Health Supplies, Inc.**, Orange, CA (US)
- (72) Inventor: **Andy T. Chao**, Villa Park, CA (US)
- (73) Assignee: **EAGLE HEALTH SUPPLIES, INC.**, Orange, CA (US)
- (**) Term: **15 Years**
- (21) Appl. No.: **29/689,790**
- (22) Filed: **May 1, 2019**
- (51) **LOC (12) Cl.** **06-01**
- (52) **U.S. Cl.**
USPC **D6/334**
- (58) **Field of Classification Search**
USPC D6/334, 349, 369, 374-377, 379-382, D6/711, 708.16, 716, 716.1
CPC A47C 3/04; A47C 3/12; A47C 5/04; A47C 5/12; A47C 5/14; A47C 7/02; A47C 7/16; A47C 7/18; A47C 7/24; A47C 11/00; A47C 15/002; A47C 17/02
See application file for complete search history.

7,451,501	B2	11/2008	Cheng	
7,661,154	B2	2/2010	Cheng	
D615,765	S *	5/2010	Chan D6/381
9,895,029	B2	2/2018	Chao	
D823,020	S *	7/2018	Paterson D6/377
D878,794	S *	3/2020	Preece D6/377
2008/0148473	A1	6/2008	Cheng	
2009/0139021	A1	6/2009	Cheng	
2013/0205491	A1	8/2013	Edwards	
2015/0230616	A1 *	8/2015	Barile A47C 7/443 297/239
2017/0172353	A1	6/2017	Chao	
2017/0303747	A1 *	10/2017	Fortman A47K 3/12
2019/0029474	A1 *	1/2019	Preece A61H 33/067

FOREIGN PATENT DOCUMENTS

DE	10352610	A1 *	6/2005 A47C 1/028
WO	WO-2014180864	A1 *	11/2014 A47C 7/506

* cited by examiner

Primary Examiner — R. Johnson
(74) *Attorney, Agent, or Firm* — Klein, O'Neill & Singh, LLP

(57) **CLAIM**

The ornamental design for a frame for a seating unit, as shown and described.

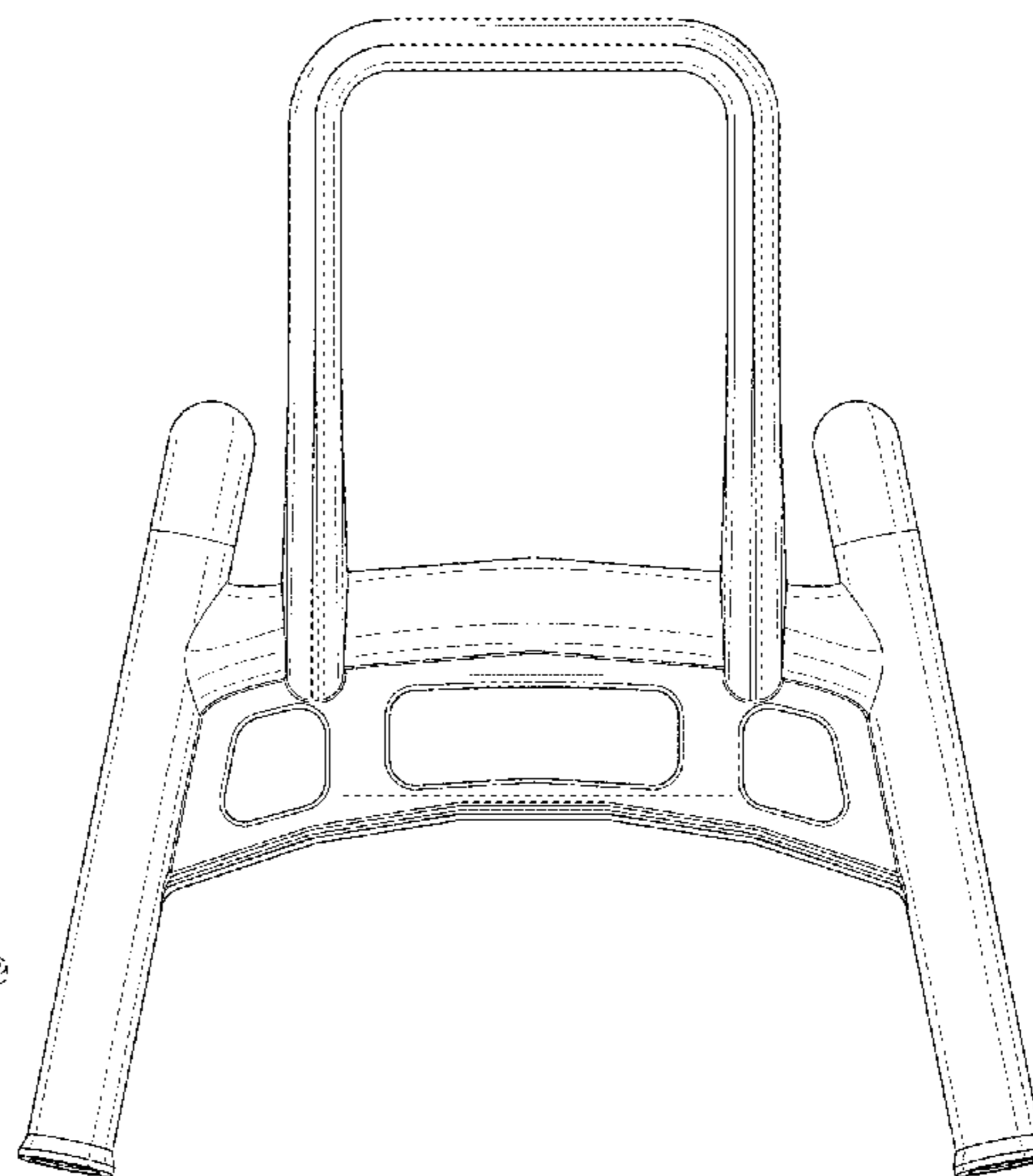
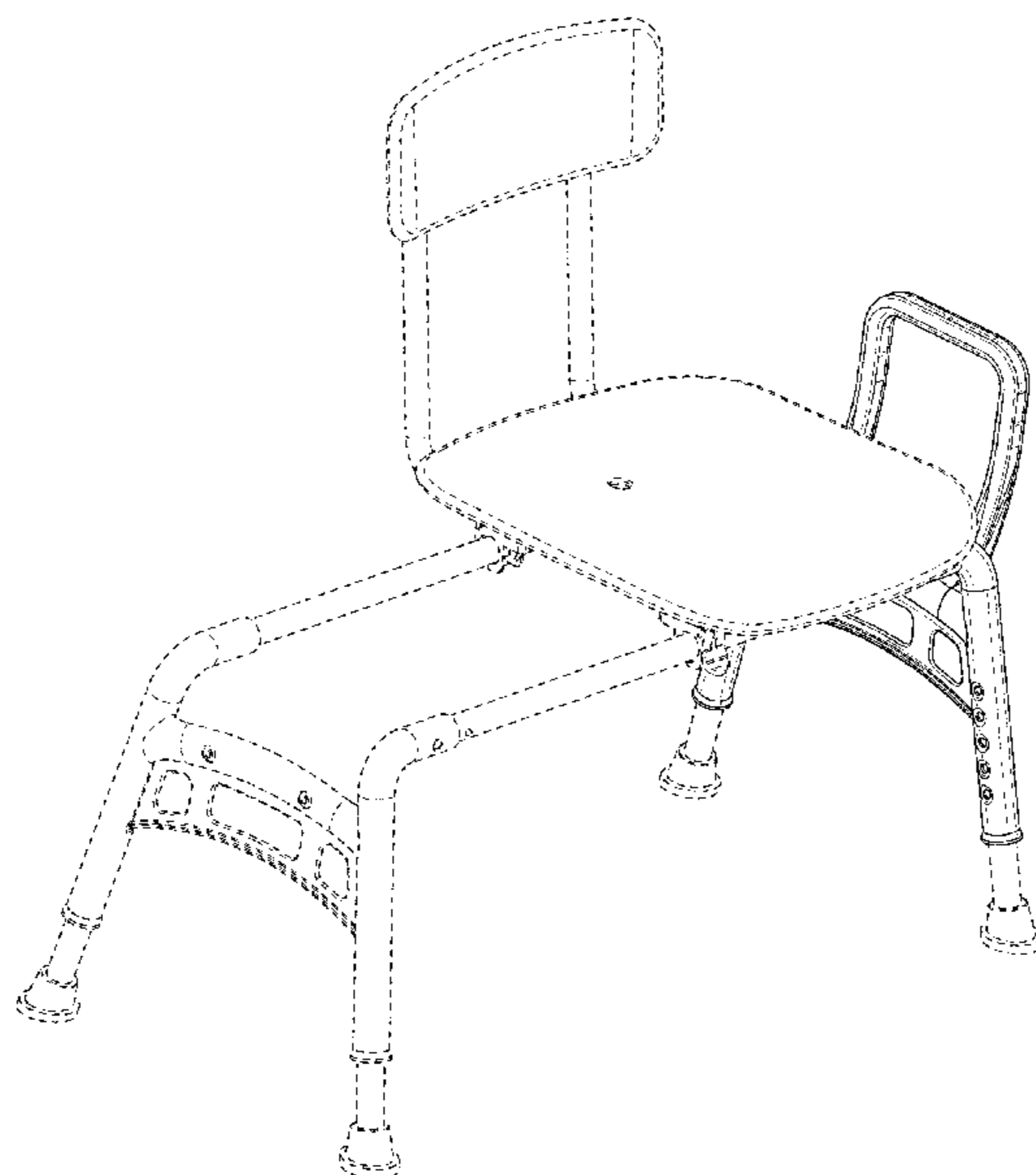
DESCRIPTION

FIG. 1 is a perspective view of a frame for a seating unit showing my new design; the broken lines represent the portions of the design that form no part of the claim. FIG. 2 is a perspective view thereof; FIG. 3 is a front view thereof; FIG. 4 is a rear view thereof; FIG. 5 is a left side view thereof; FIG. 6 is a right side view thereof; FIG. 7 is a top view thereof; and, FIG. 8 is a bottom view thereof.

1 Claim, 8 Drawing Sheets

(56) **References Cited**
U.S. PATENT DOCUMENTS

D354,859	S *	1/1995	Hsu D6/349
D358,263	S *	5/1995	Yoder, Jr. D6/370
D375,638	S *	11/1996	Dhanapal D6/335
D388,640	S *	1/1998	Burgin D6/390
5,940,905	A	8/1999	Cheng	
6,122,776	A	9/2000	Cheng	
D512,229	S *	12/2005	Reza-Hadden D6/349
D522,777	S *	6/2006	Glass D6/338
D524,082	S *	7/2006	Dettmann D6/380
D525,809	S *	8/2006	Hughes D6/717
7,121,620	B1 *	10/2006	Fang A47C 3/34 297/51



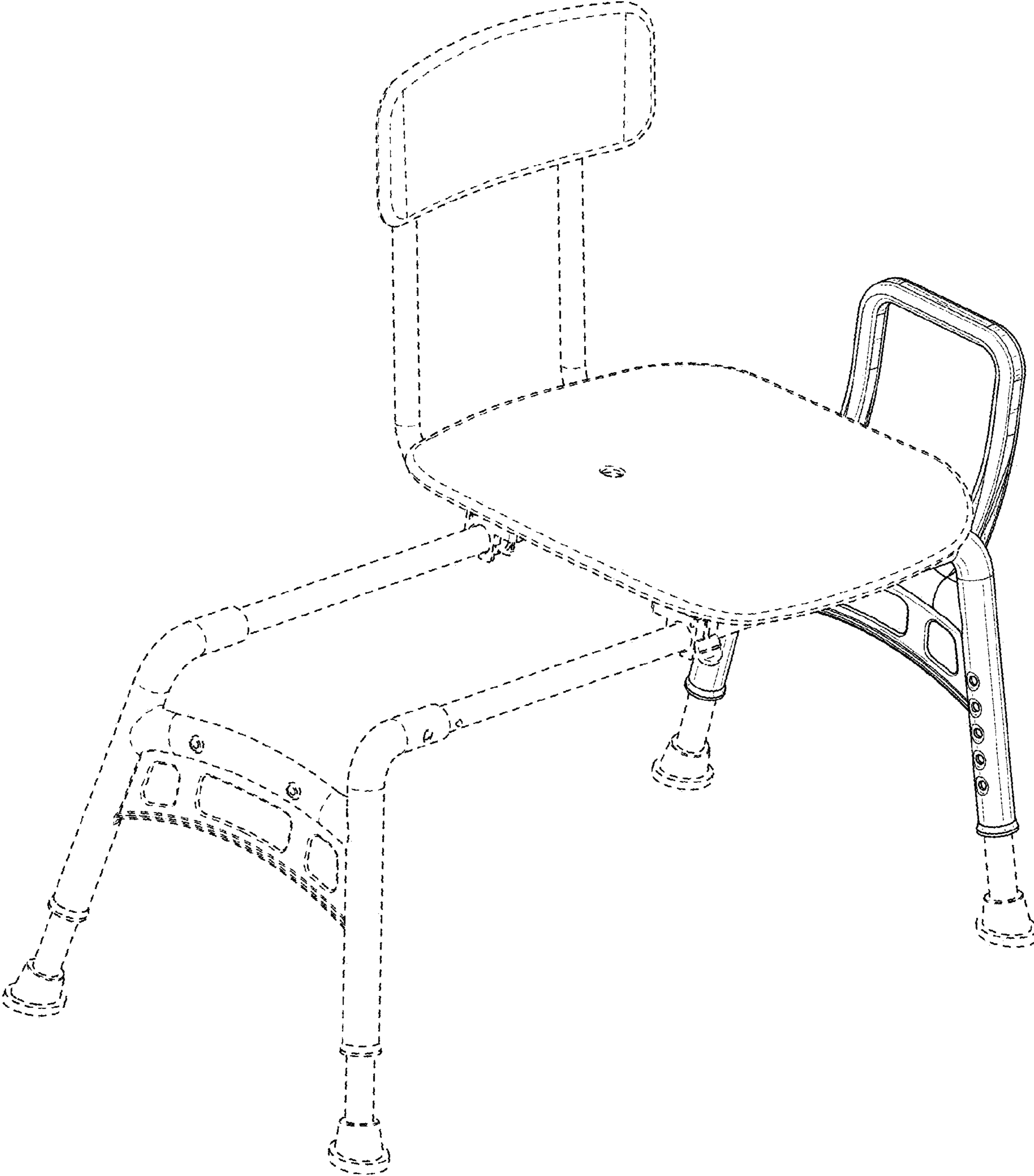


FIG. 1

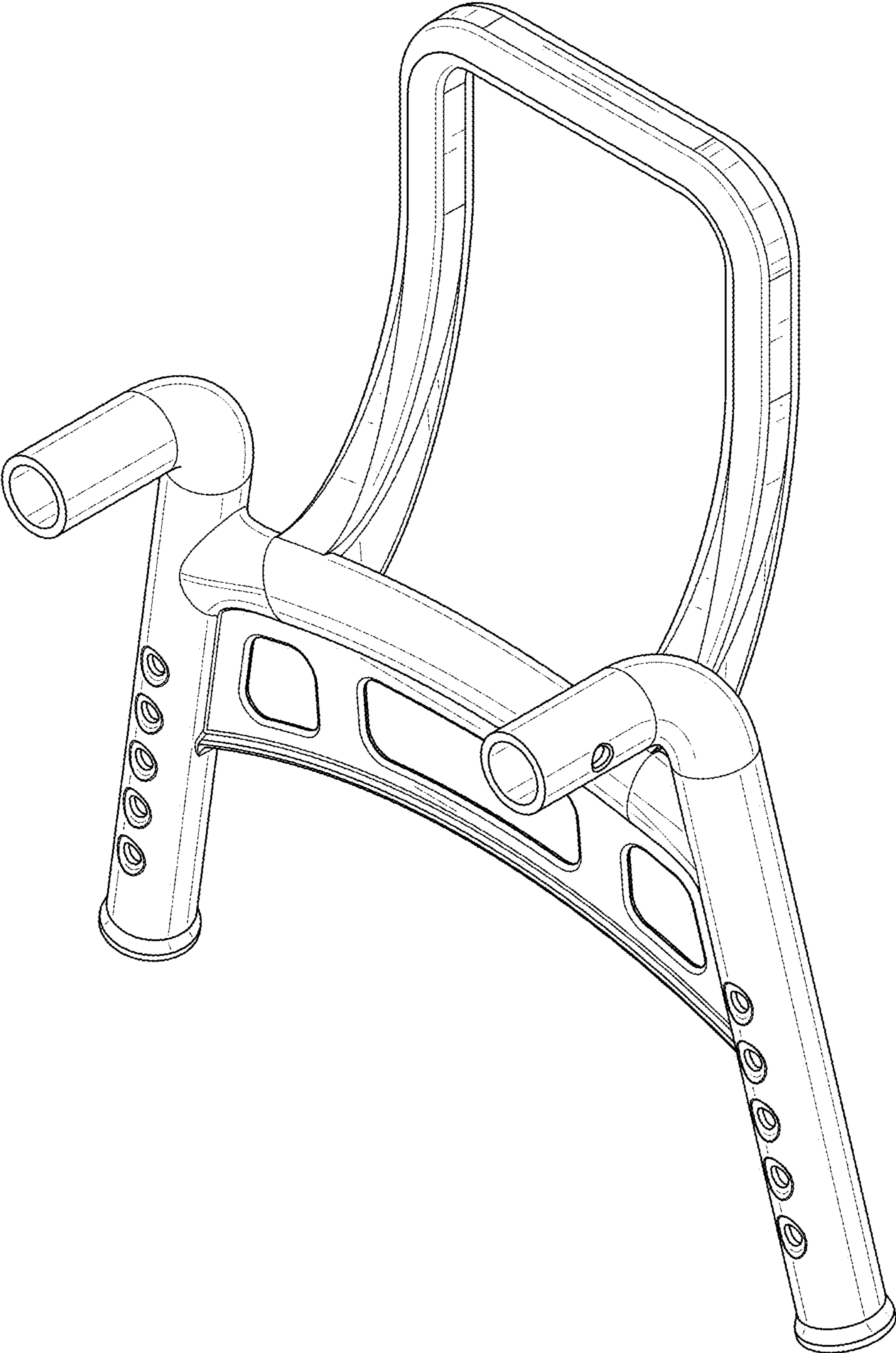


FIG. 2

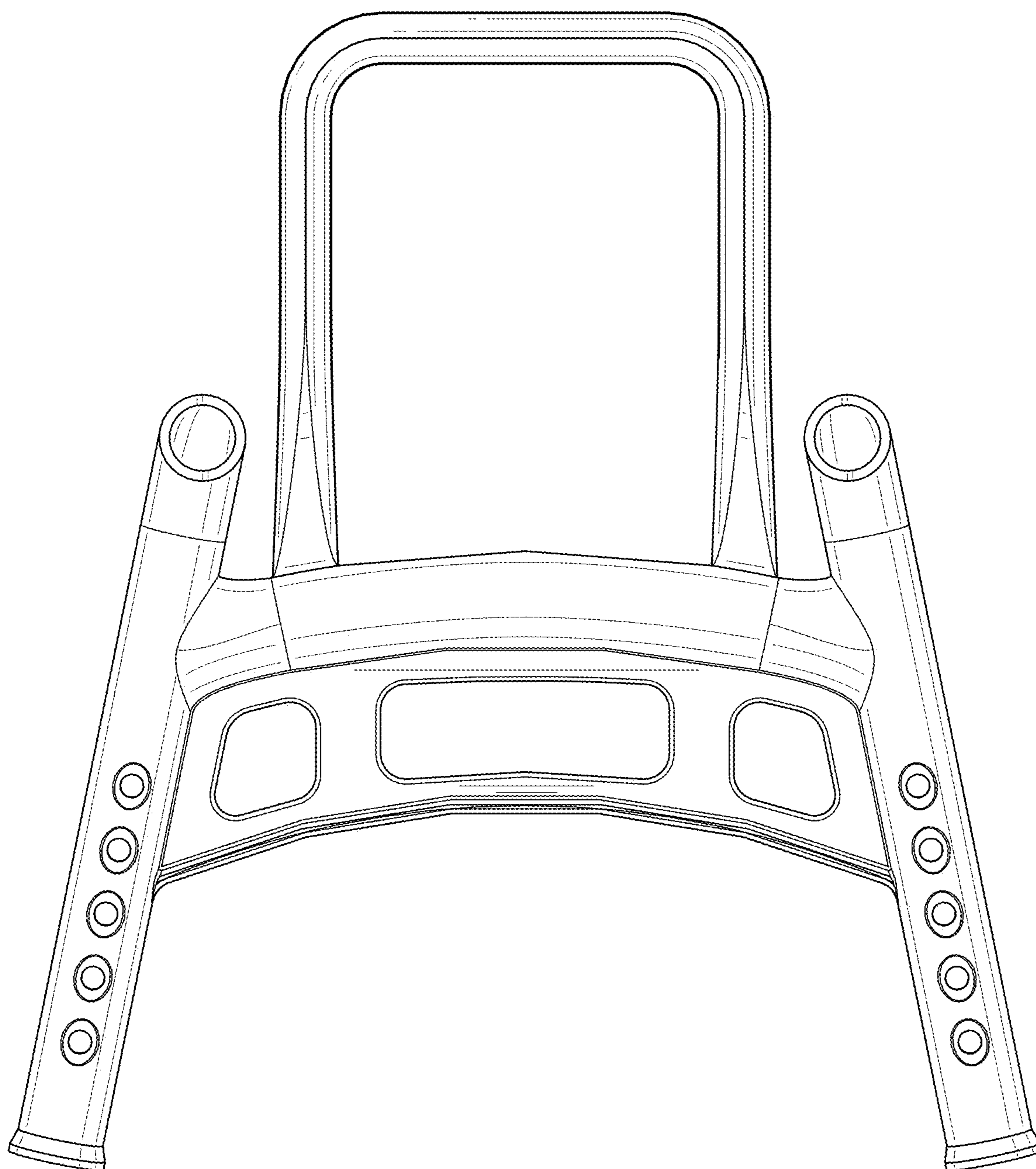


FIG. 3

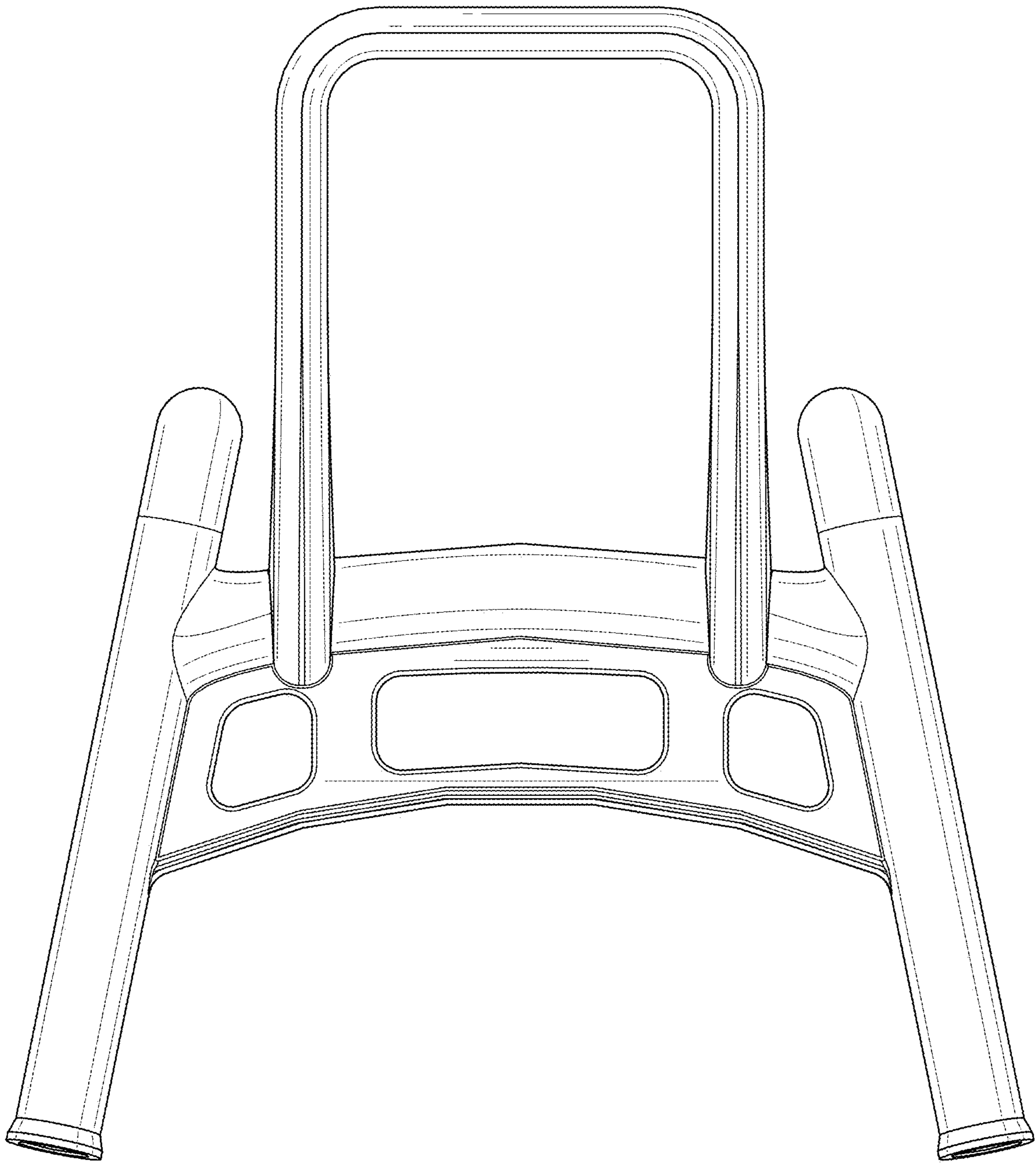


FIG. 4

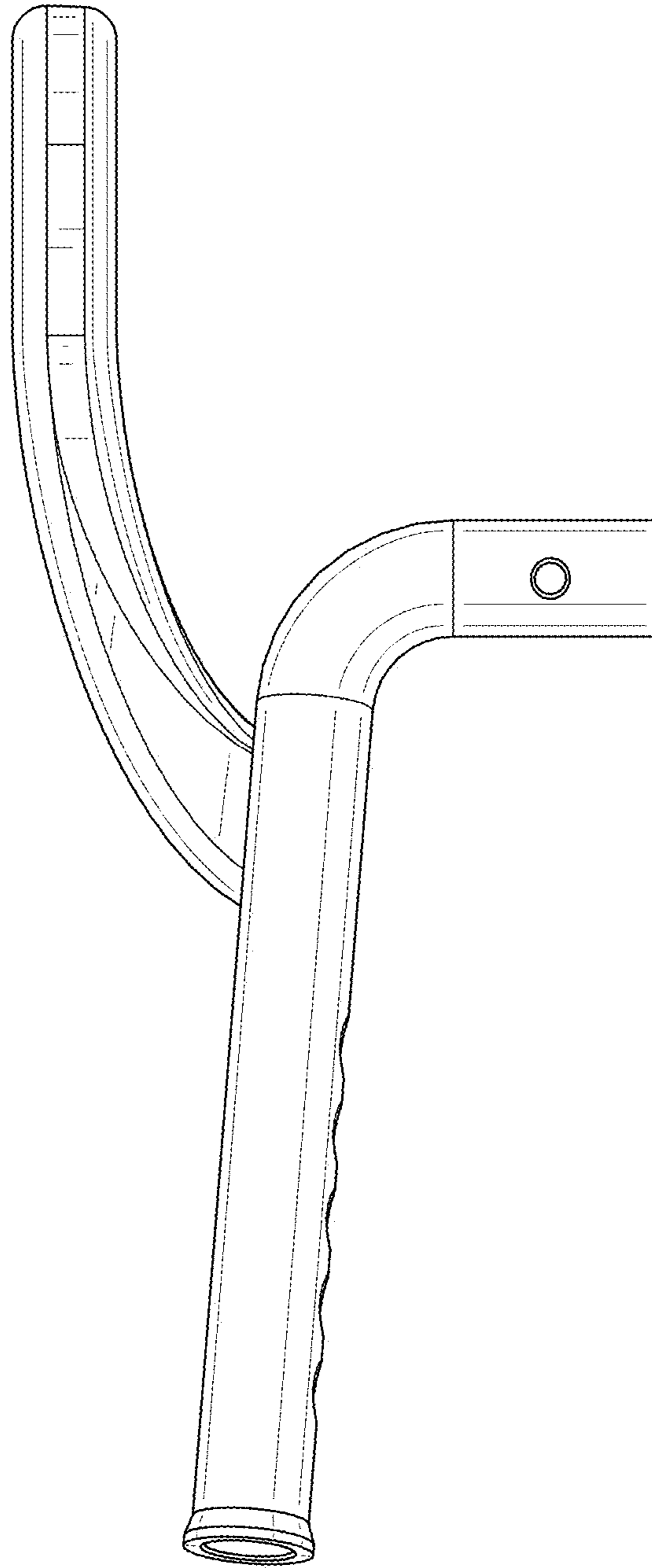


FIG. 5

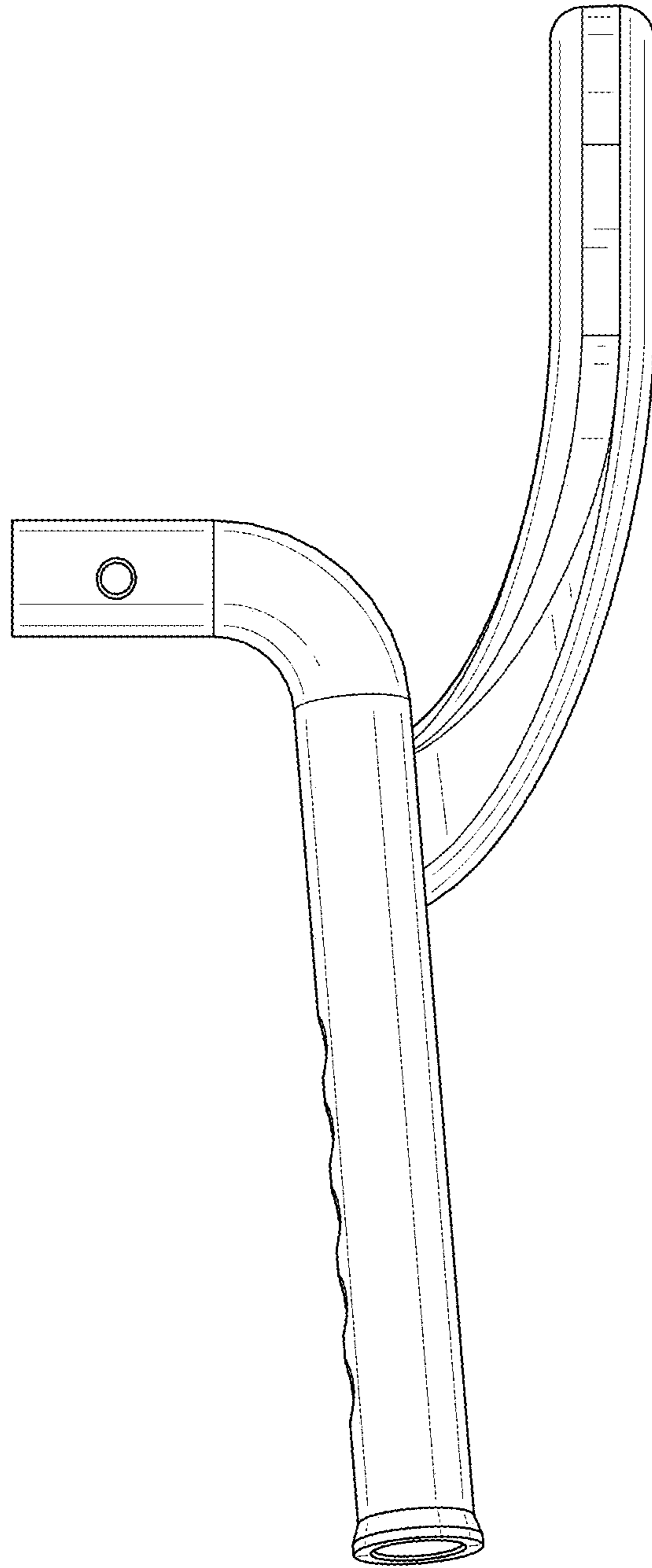


FIG. 6

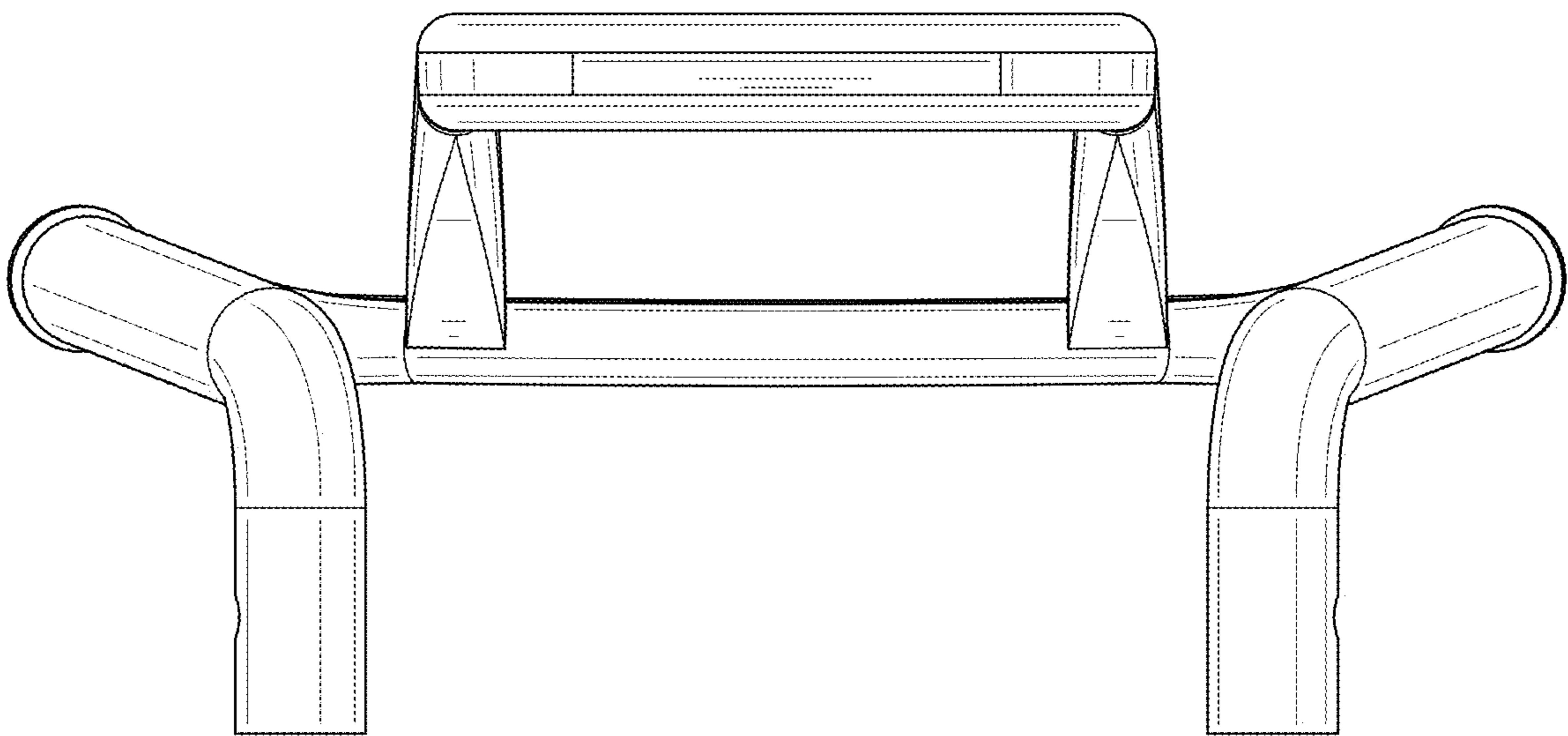


FIG. 7

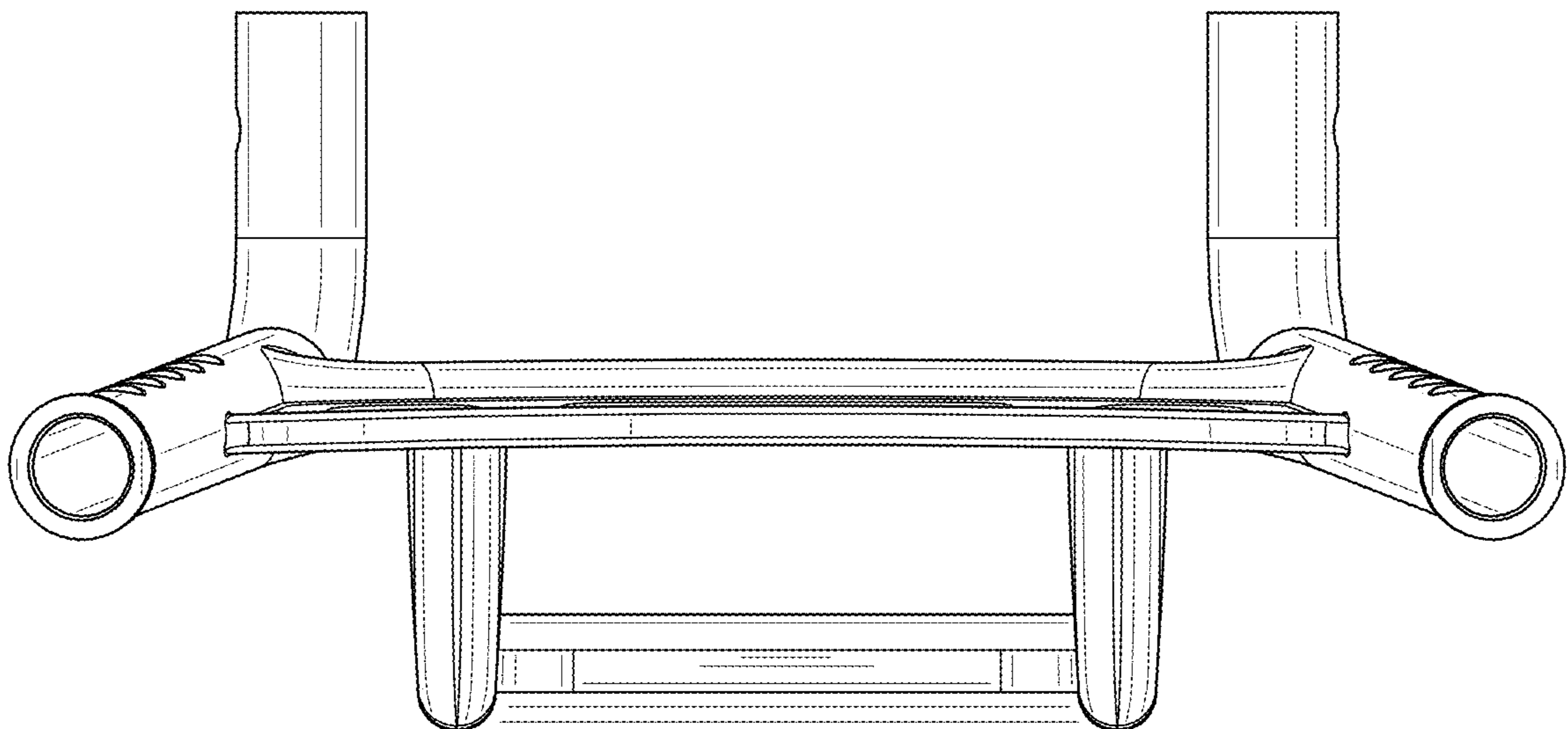


FIG. 8