



US00D899108S

(12) **United States Design Patent** (10) **Patent No.:** **US D899,108 S**  
**Chen** (45) **Date of Patent:** **\*\* Oct. 20, 2020**

(54) **ELECTRONIC PHOTO FRAME**  
(71) Applicant: **Jiangping Chen**, Shenzhen (CN)  
(72) Inventor: **Jiangping Chen**, Shenzhen (CN)  
(73) Assignee: **ShenZhen GBZK Electronics Co., Ltd.**, Shenzhen (CN)  
(\*\*) Term: **15 Years**  
(21) Appl. No.: **29/707,765**  
(22) Filed: **Oct. 1, 2019**  
(51) **LOC (12) Cl.** ..... **06-07**  
(52) **U.S. Cl.**  
USPC ..... **D6/309**  
(58) **Field of Classification Search**  
USPC ..... D6/300, 301, 302, 303, 304, 307, 308,  
D6/309, 310, 311, 312, 313, 314;  
D10/15, 21, 24; D14/336, 341, 374, 381,  
D14/382, 448, 450; D20/10, 28  
CPC ..... A47G 1/0616; A47G 1/142; A47G  
2001/0694; A47G 1/1654; A47G 1/06;  
A47G 1/0605; A47G 1/0633; A47G  
1/0638; A47G 1/0644; A47G 1/08; A47G  
1/10; A47G 1/14; A47G 1/141; A47G  
1/16; A47G 1/1606; A47G 1/1613; A47G  
2001/0661; A47G 2001/0672; A47G  
2001/0688; A47G 2001/148; G06F  
1/1654  
See application file for complete search history.

D531,061 S \* 10/2006 Oas ..... D10/15  
D596,410 S \* 7/2009 Liu ..... D6/309  
D637,414 S \* 5/2011 Butcher ..... D6/309  
D650,385 S \* 12/2011 Chiu ..... D14/371  
D797,855 S \* 9/2017 Katsuno ..... D20/10

**FOREIGN PATENT DOCUMENTS**

JP D1658177 \* 10/2019

**OTHER PUBLICATIONS**

Unique Round 8 Inch HD WIFI Digital Photo Frame [online], [site visited Jul. 23, 2020]. Available from internet, URL: <<http://www.lcd-photoframe.com/sale-3598075-unique-round-8-inch-hd-wifi-digital-photo-frame-for-silver-wedding-family.html>> (Year: 2020).\*  
Wood Table Top Family Photo Frame [online], [site visited Jul. 23, 2020]. Available from internet, URL: <<https://www.indiamart.com/proddetail/table-top-family-photo-frame-20923758433.html>> (Year: 2020).\*

\* cited by examiner

*Primary Examiner* — Cynthia Ramirez  
*Assistant Examiner* — Xavier Marti-Santos

(57) **CLAIM**

The ornamental design for an electronic photo frame, as shown and described.

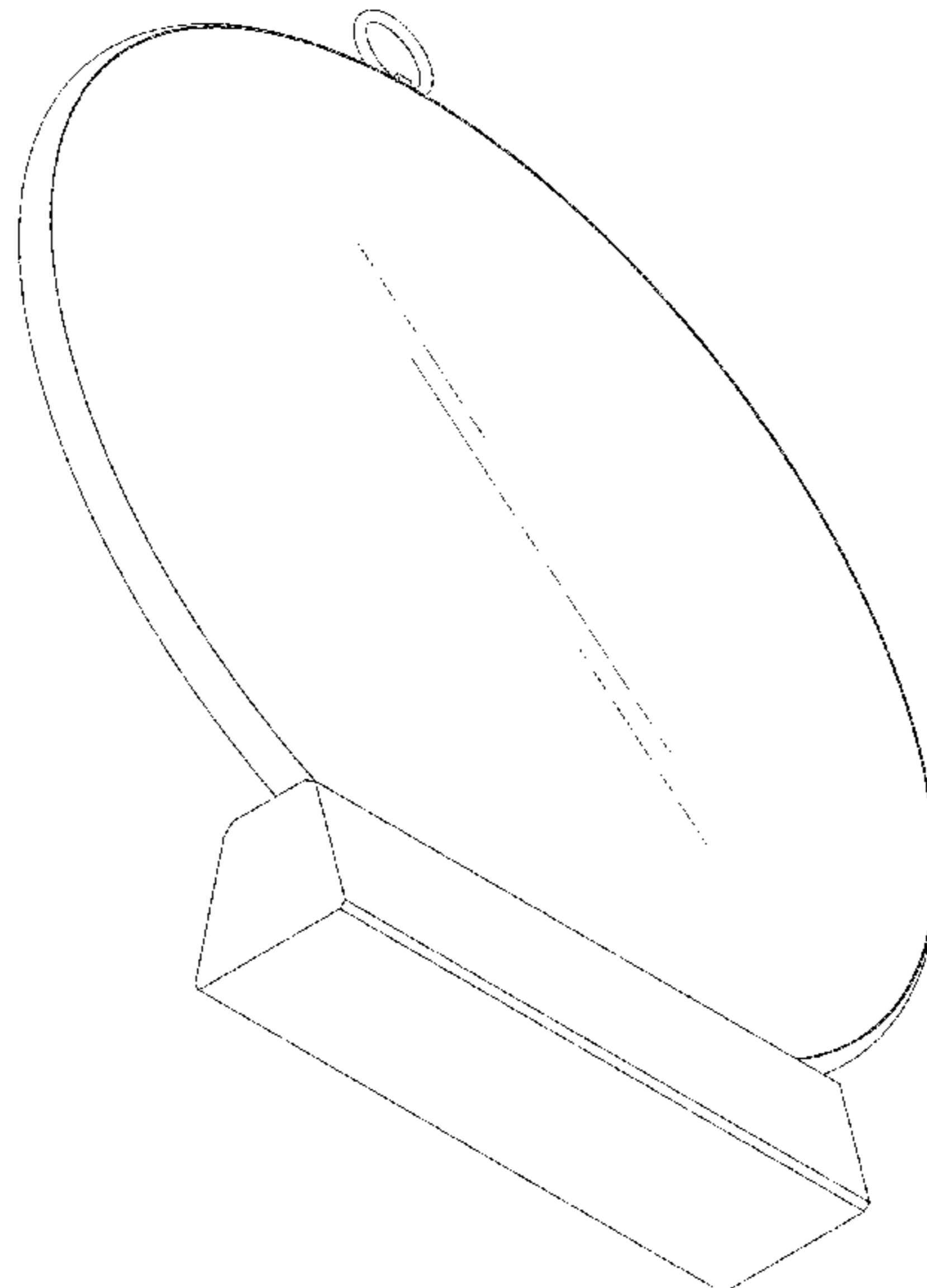
**DESCRIPTION**

FIG. 1 is a front perspective view of the electronic photo frame showing my new design;  
FIG. 2 is a rear perspective view thereof;  
FIG. 3 is a front elevational view thereof;  
FIG. 4 is a rear elevational view thereof;  
FIG. 5 is a left side elevational view thereof;  
FIG. 6 is a right side elevational view thereof;  
FIG. 7 is a top plan view thereof; and,  
FIG. 8 is a bottom plan view thereof.

**1 Claim, 8 Drawing Sheets**

(56) **References Cited**  
U.S. PATENT DOCUMENTS

D206,047 S \* 10/1966 Shadwell ..... D20/10  
D290,447 S \* 6/1987 Evans ..... D11/131  
D491,073 S \* 6/2004 Chan ..... D10/15  
D495,709 S \* 9/2004 Walker ..... D14/375  
D512,744 S \* 12/2005 Koroluk ..... D20/28  
D525,880 S \* 8/2006 Okamura ..... D10/15



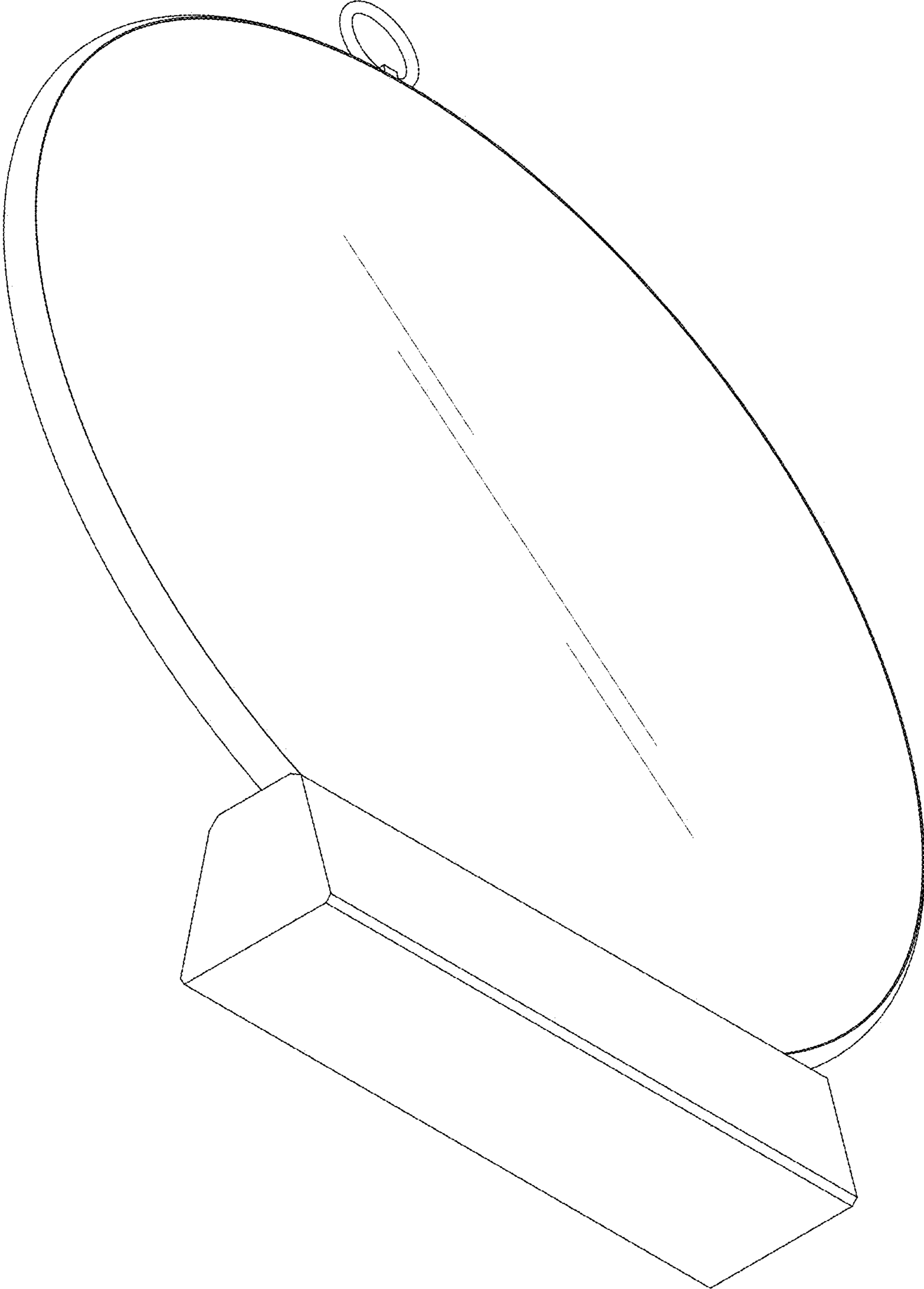


FIG. 1

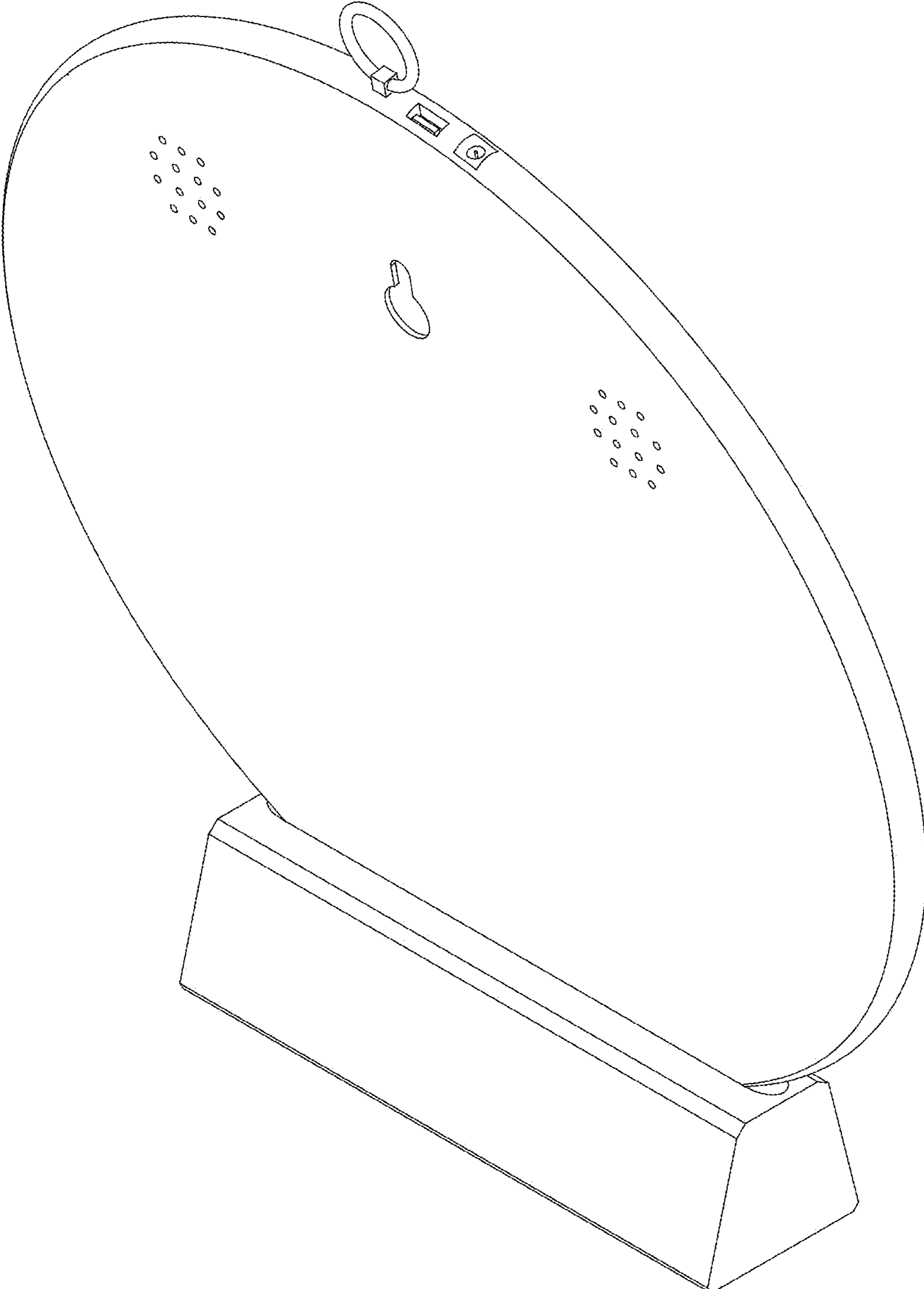


FIG. 2

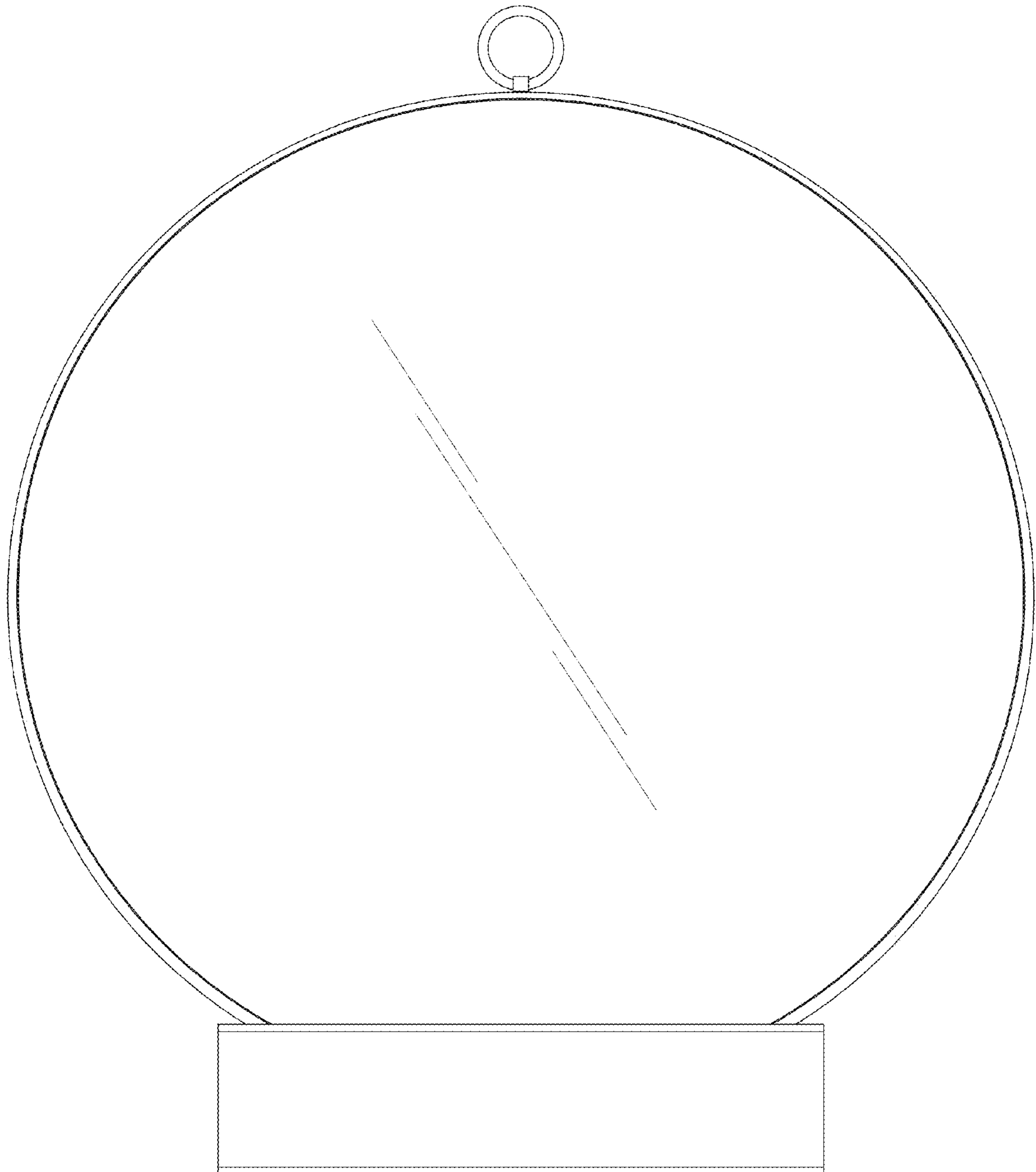


FIG. 3

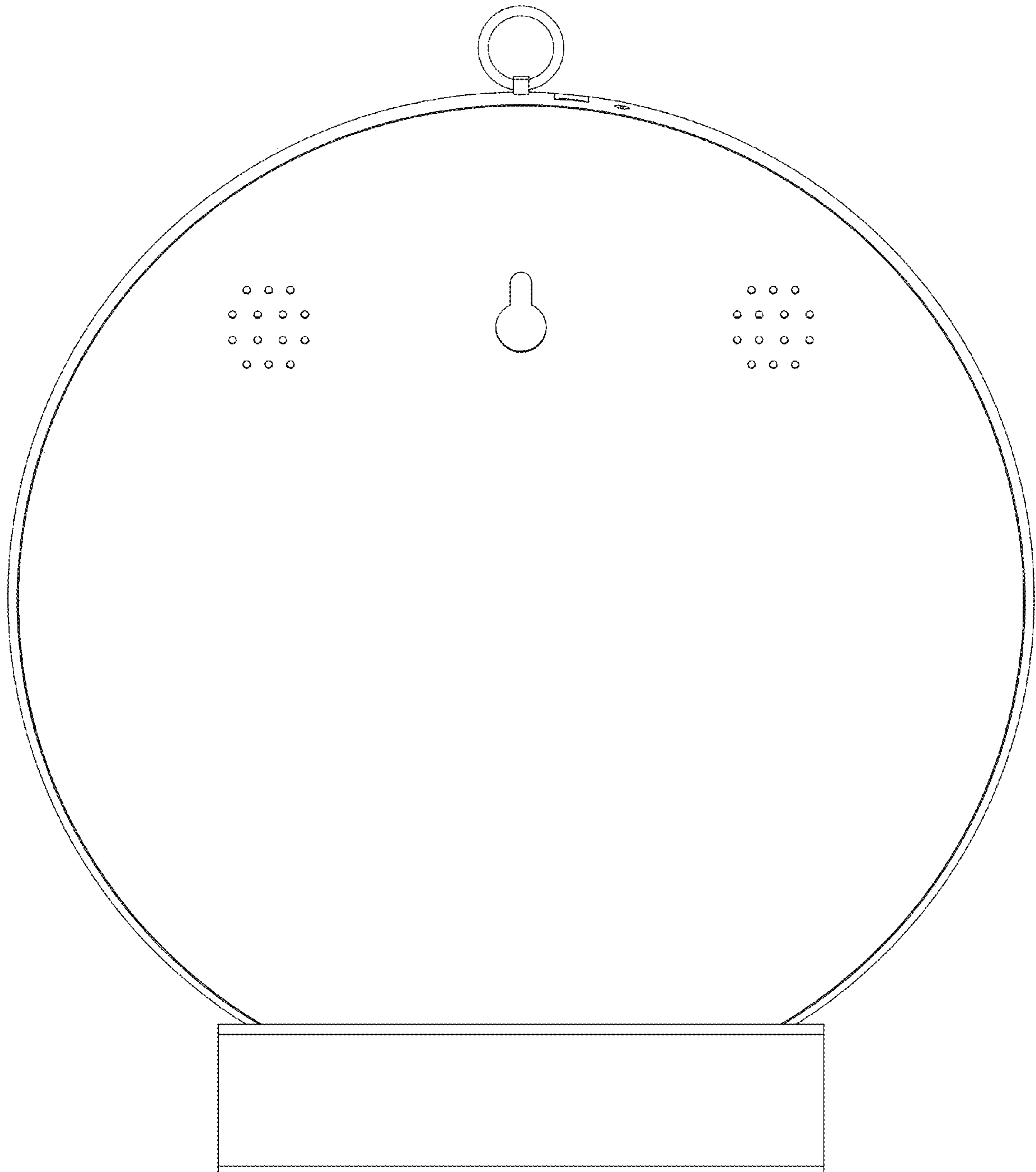


FIG. 4

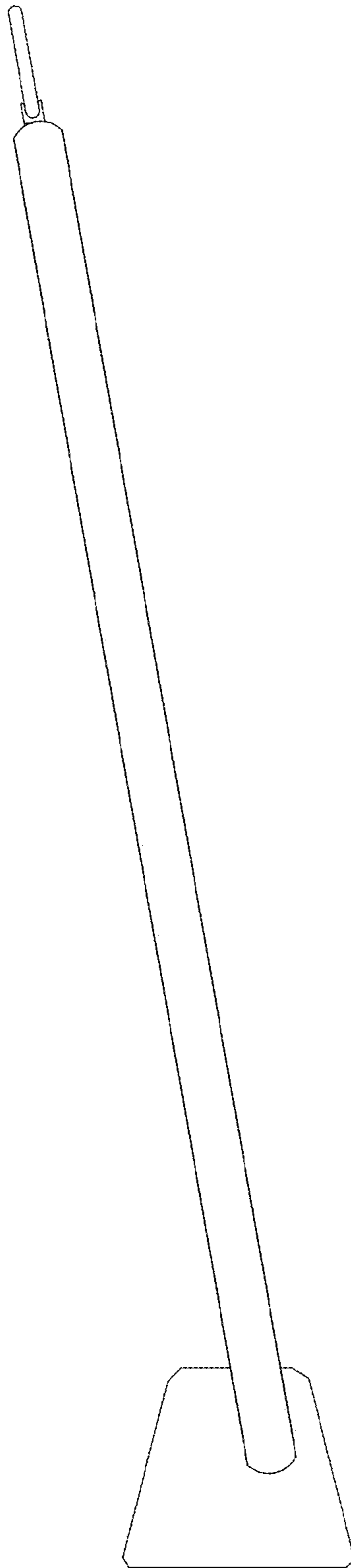


FIG. 5

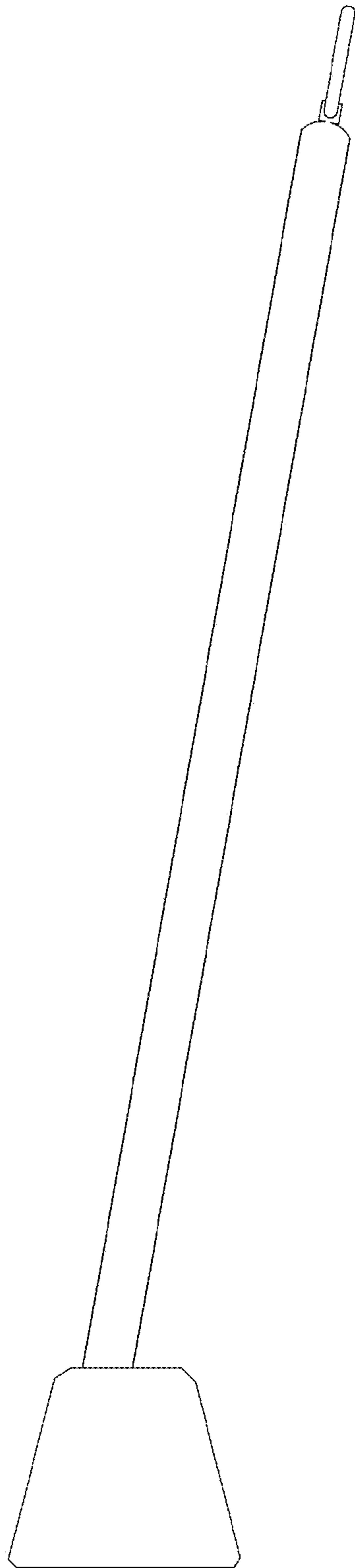


FIG. 6

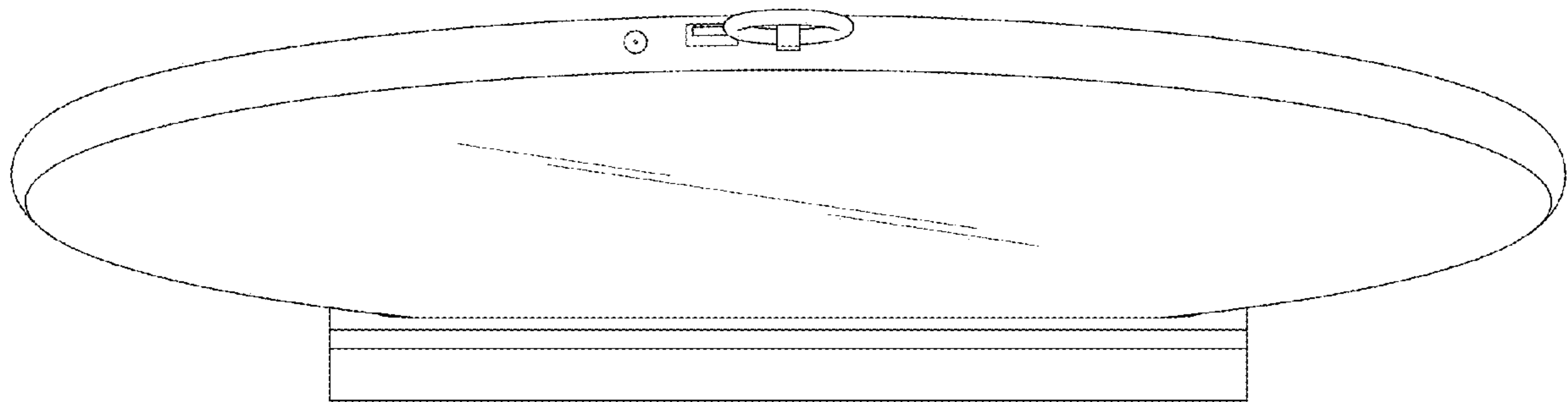


FIG. 7



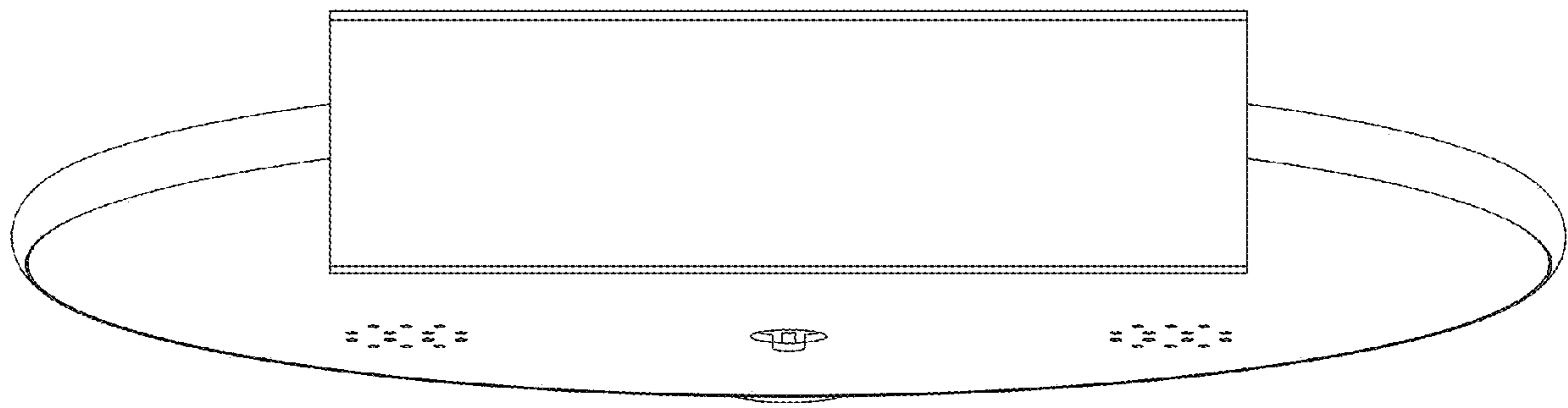


FIG. 8