



US00D899099S

(12) **United States Design Patent** (10) **Patent No.:** **US D899,099 S**
Levy et al. (45) **Date of Patent:** **** Oct. 20, 2020**

- (54) **TRAVEL TOOTHBRUSH CASE**
- (71) Applicant: **Navajo Manufacturing Company, Inc., Denver, CO (US)**
- (72) Inventors: **Gordon Levy, Golden, CO (US); Shawn A. Shelton, Highlands Ranch, CO (US)**
- (73) Assignee: **Navajo Manufacturing Company, Inc., Denver, CO (US)**
- (**) Term: **15 Years**
- (21) Appl. No.: **29/686,443**
- (22) Filed: **Apr. 4, 2019**
- (51) **LOC (12) Cl.** **03-01**
- (52) **U.S. Cl.**
USPC **D4/199; D3/205**
- (58) **Field of Classification Search**
USPC **D4/100, 101, 102, 104, 105, 106, 107, D4/108, 109, 110, 111, 112, 113, 114, D4/115, 121, 137, 199; 15/167.1; D24/152, 176; D28/65; D3/205, 203.5, D3/265**
CPC **A46B 2200/1066**
See application file for complete search history.

- D353,052 S * 12/1994 Vap D19/901
- D370,811 S * 6/1996 Stafford D6/530
- D398,150 S * 9/1998 Vonarburg D28/85
- D617,554 S * 6/2010 Raile D3/263
- D677,047 S * 3/2013 Watson D3/203.5
- D710,110 S * 8/2014 Miller D4/108
- D734,054 S * 7/2015 New A61L 2/08
D6/525
- D738,613 S * 9/2015 Winiski D3/205
- D833,079 S * 11/2018 Fang D28/91.1

FOREIGN PATENT DOCUMENTS

- CN 304189761 * 6/2017
- CN 305353404 * 9/2019
- CN 305414859 * 11/2019

* cited by examiner

Primary Examiner — Karen E Eldridge Powers
(74) *Attorney, Agent, or Firm* — Studebaker & Brackett PC

(57) **CLAIM**

The ornamental design for a travel toothbrush case, as shown and described.

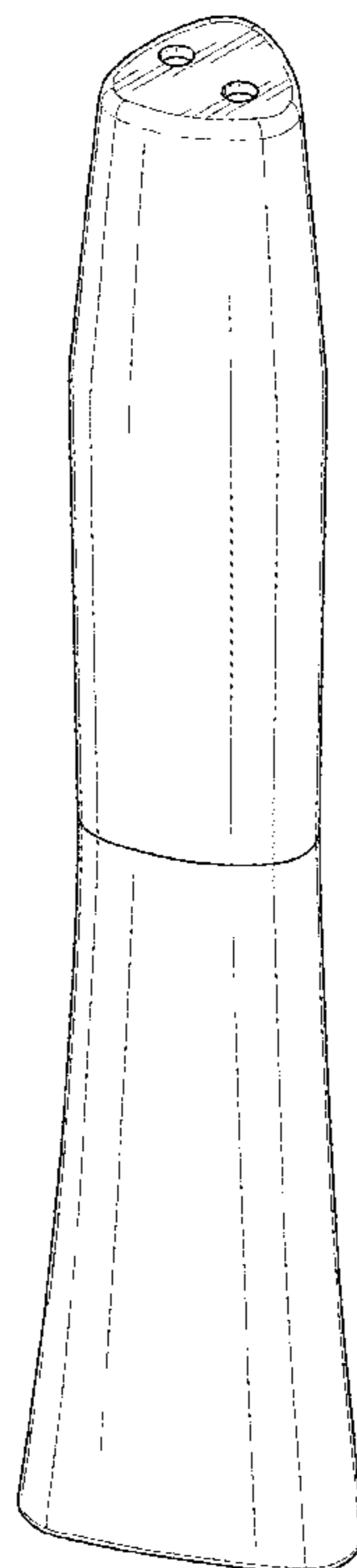
DESCRIPTION

FIG. 1 is a front perspective view showing our new design for a travel toothbrush case,
FIG. 2 is a top plan view thereof,
FIG. 3 is a bottom plan view thereof,
FIG. 4 is a front elevation view thereof,
FIG. 5 is a rear elevation view thereof,
FIG. 6 is a right side elevation view thereof; and,
FIG. 7 is a left side elevation view thereof.

1 Claim, 3 Drawing Sheets

(56) **References Cited**
U.S. PATENT DOCUMENTS

- D336,374 S * 6/1993 Crawford D4/199
- D337,206 S * 7/1993 Crawford D4/199
- D338,123 S * 8/1993 Crawford D4/199



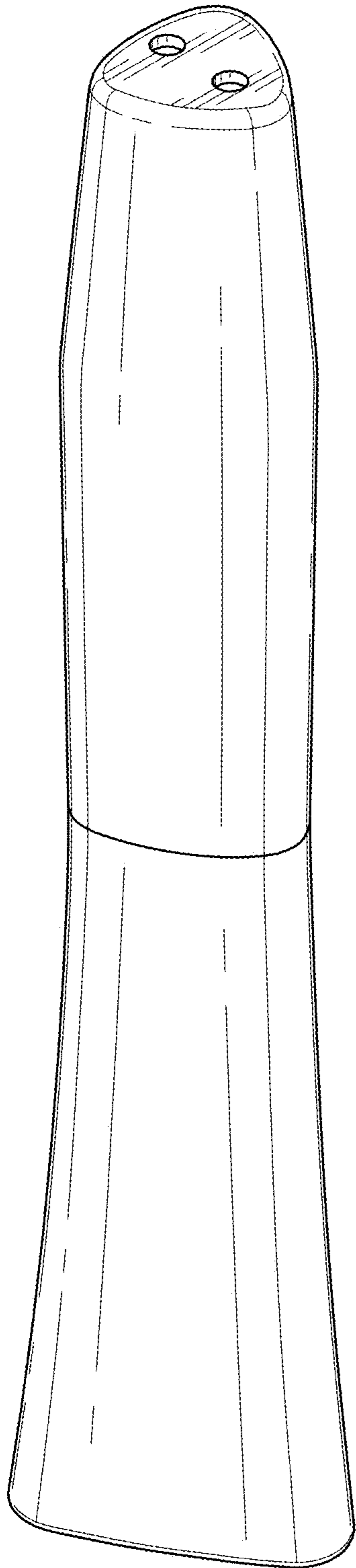


FIG. 1

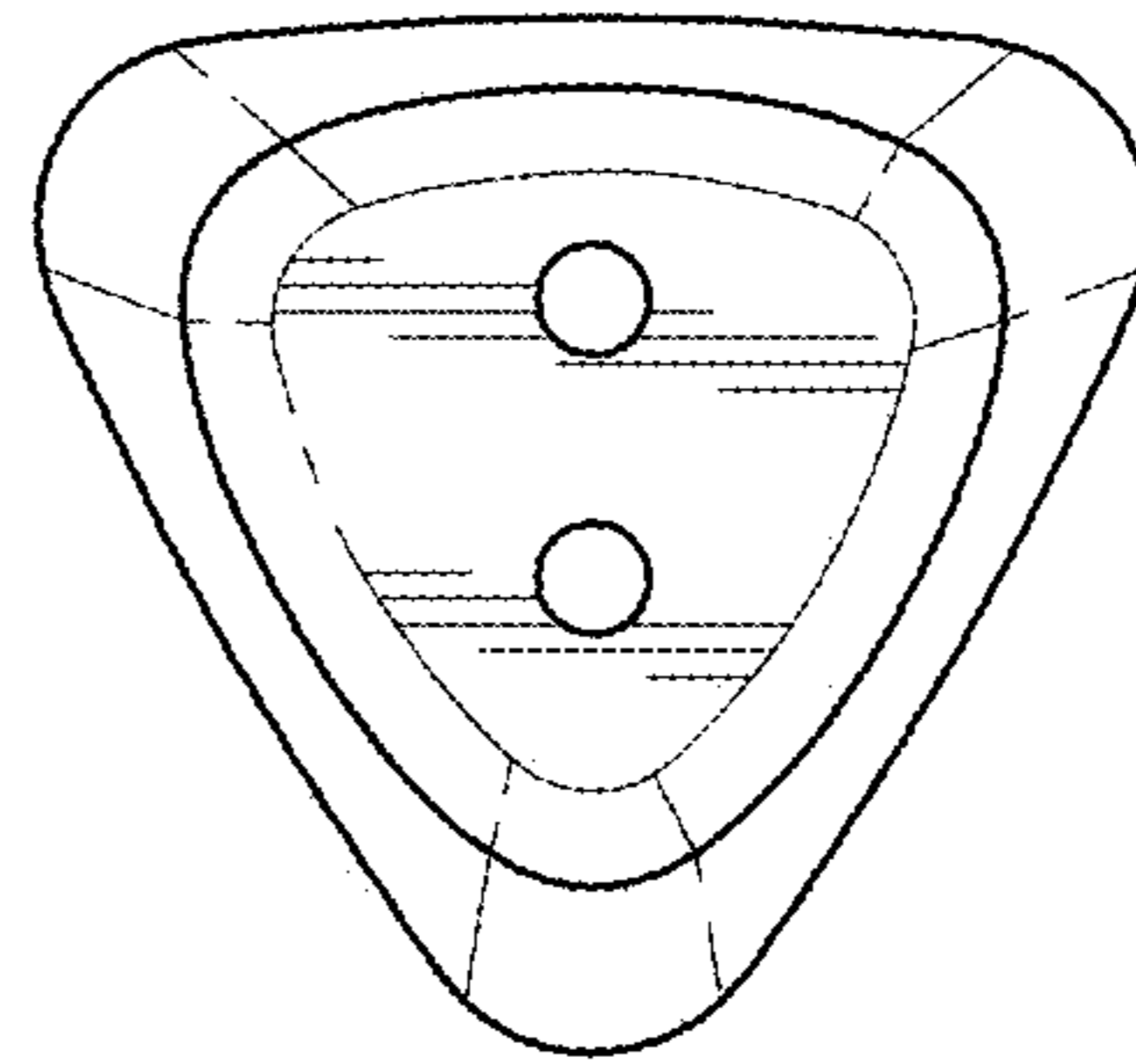


FIG. 2

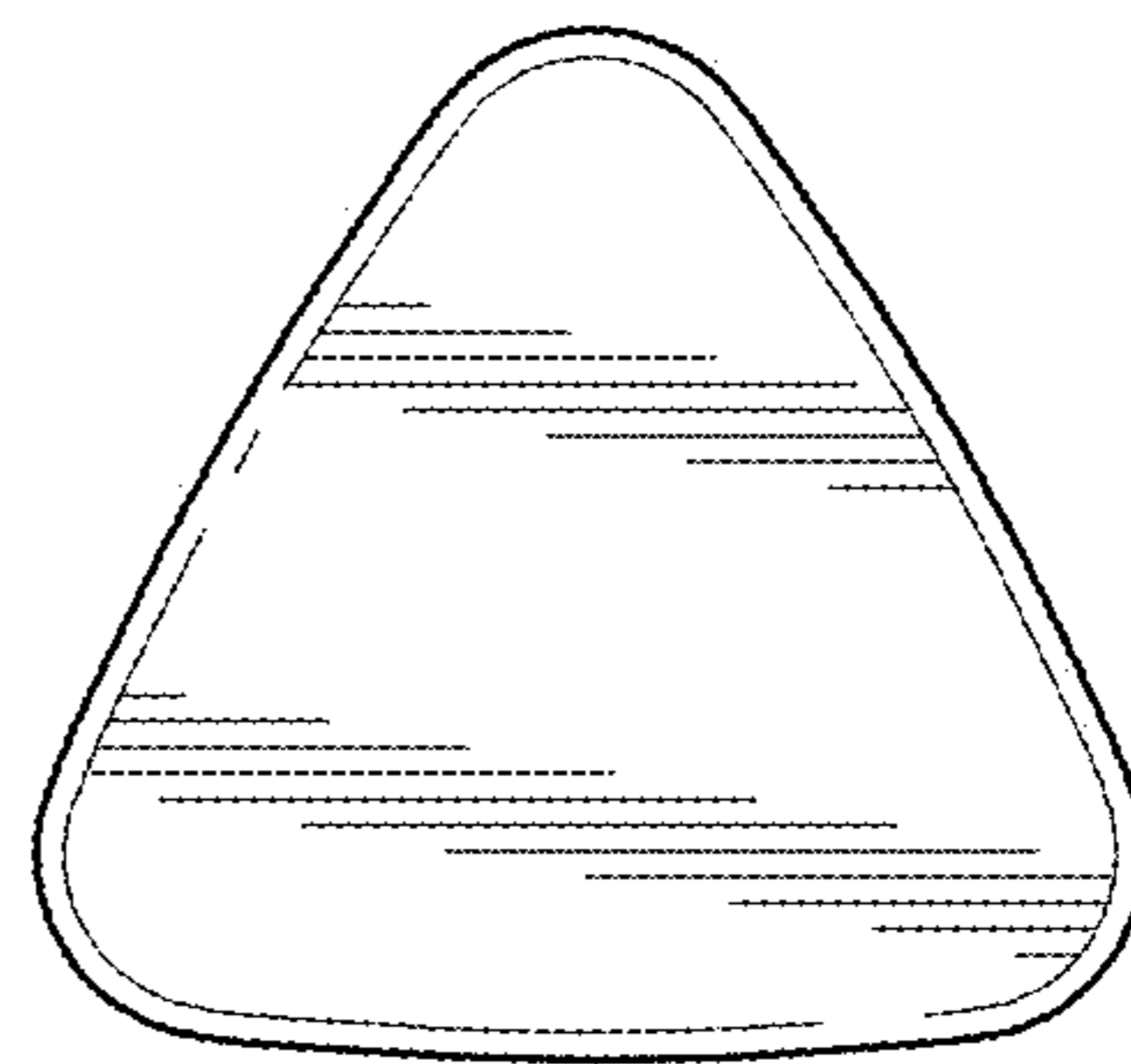


FIG. 3

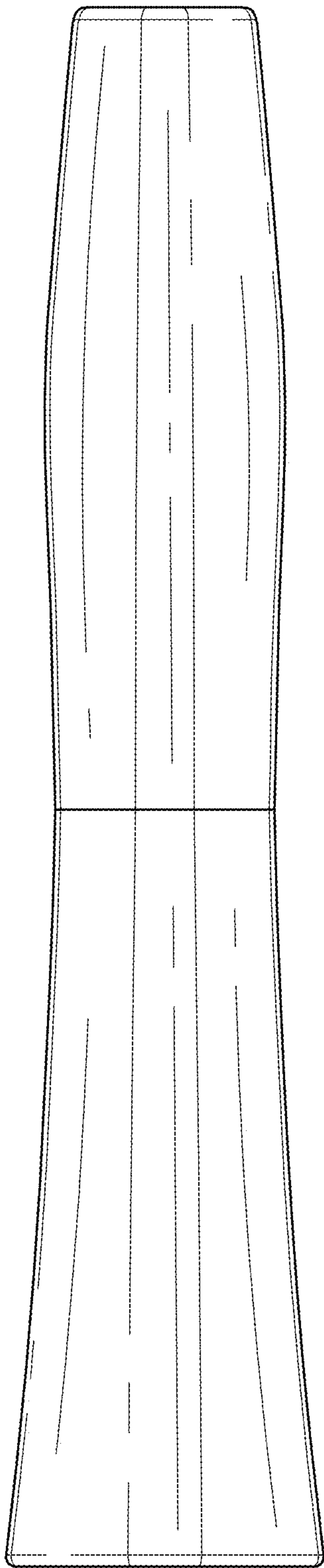


FIG. 4

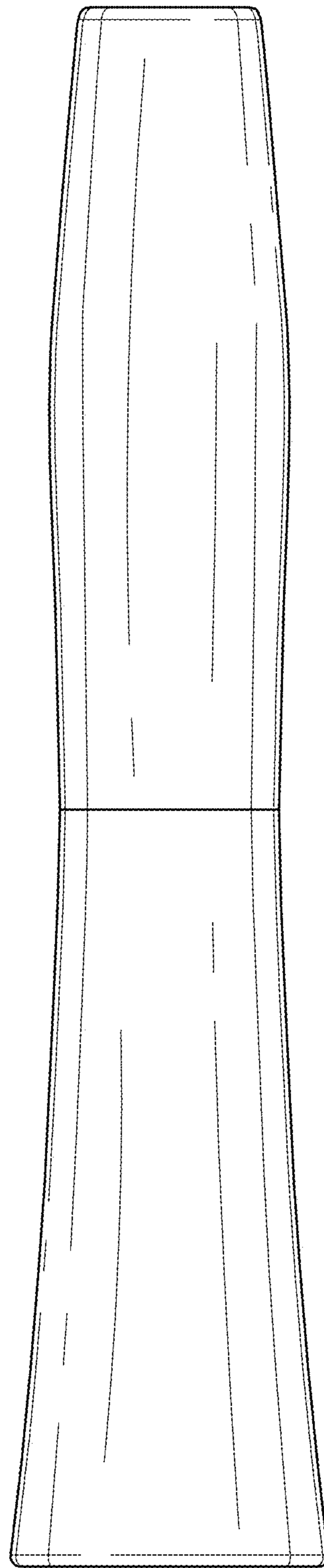


FIG. 5

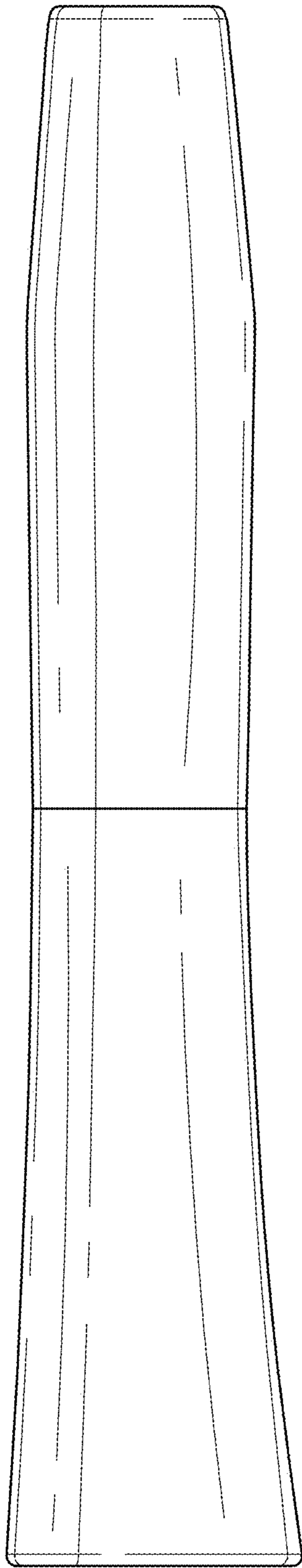


FIG. 6

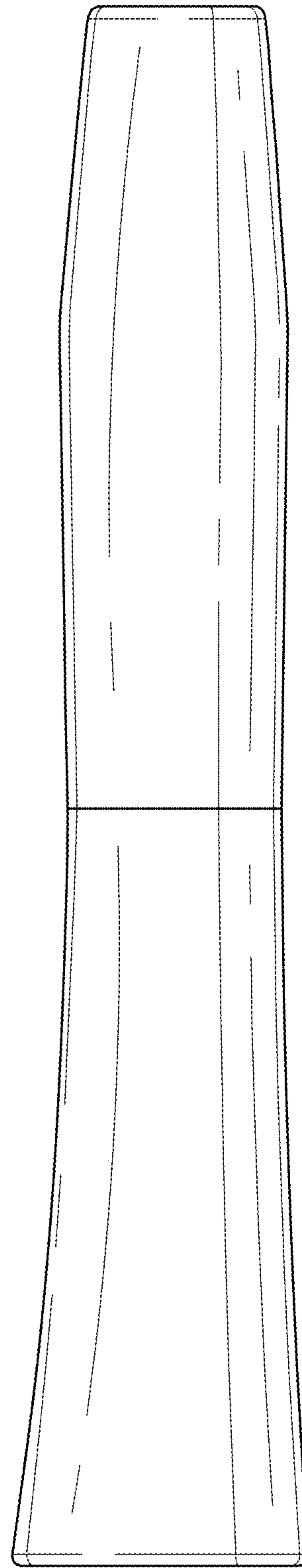


FIG. 7