



US00D899097S

(12) **United States Design Patent**
Monson

(10) **Patent No.:** **US D899,097 S**

(45) **Date of Patent:** **** Oct. 20, 2020**

- (54) **VOLUMIZING AND DIFFUSING HAIRBRUSH**
- (71) Applicant: **Cherie Monson**, Hopkins, MN (US)
- (72) Inventor: **Cherie Monson**, Hopkins, MN (US)
- (73) Assignee: **CLM Creations LLC**, Hopkins, MN (US)
- (**) Term: **15 Years**
- (21) Appl. No.: **29/693,522**
- (22) Filed: **Jun. 3, 2019**
- (51) **LOC (12) Cl.** **04-02**
- (52) **U.S. Cl.**
USPC **D4/134**
- (58) **Field of Classification Search**
USPC D4/100, 116, 121, 130, 132, 134, 136,
D4/138, 199; D28/13, 24, 28, 31, 35, 25,
D28/15; D7/669
CPC A46B 9/02; A46B 9/023; A46B 9/028;
A46B 15/0059
See application file for complete search history.

- D547,068 S * 7/2007 Major D30/158
- 8,448,349 B2 * 5/2013 Kloeppe-Riech
A45D 20/525
34/97
- 9,265,339 B2 * 2/2016 White A46B 9/023
- D790,768 S * 6/2017 Dube D28/31
- (Continued)

OTHER PUBLICATIONS

ECOTOOLS."Ultimate Air Dryer Hair Brush." Online product listing; ecotools.com/ultimate-air-dryer-hair-brush/p/7495. pp. 9, [Retrieved Apr. 16, 2019].

(Continued)

Primary Examiner — Karen E Eldridge Powers
(74) *Attorney, Agent, or Firm* — Grumbles Law PLLC; Brittany Nanzig

(57) **CLAIM**

The ornamental design for a volumizing and diffusing hairbrush, as shown and described.

DESCRIPTION

FIG. 1 is a front left perspective view of the volumizing and diffusing hairbrush showing my new design.

FIG. 2 is a front elevational view of the volumizing and diffusing hairbrush.

FIG. 3 is a back elevational view of the volumizing and diffusing hairbrush.

FIG. 4 is a top plan view of the volumizing and diffusing hairbrush.

FIG. 5 is a left side view of the volumizing and diffusing hairbrush.

FIG. 6 is a right side view of the volumizing and diffusing hairbrush.

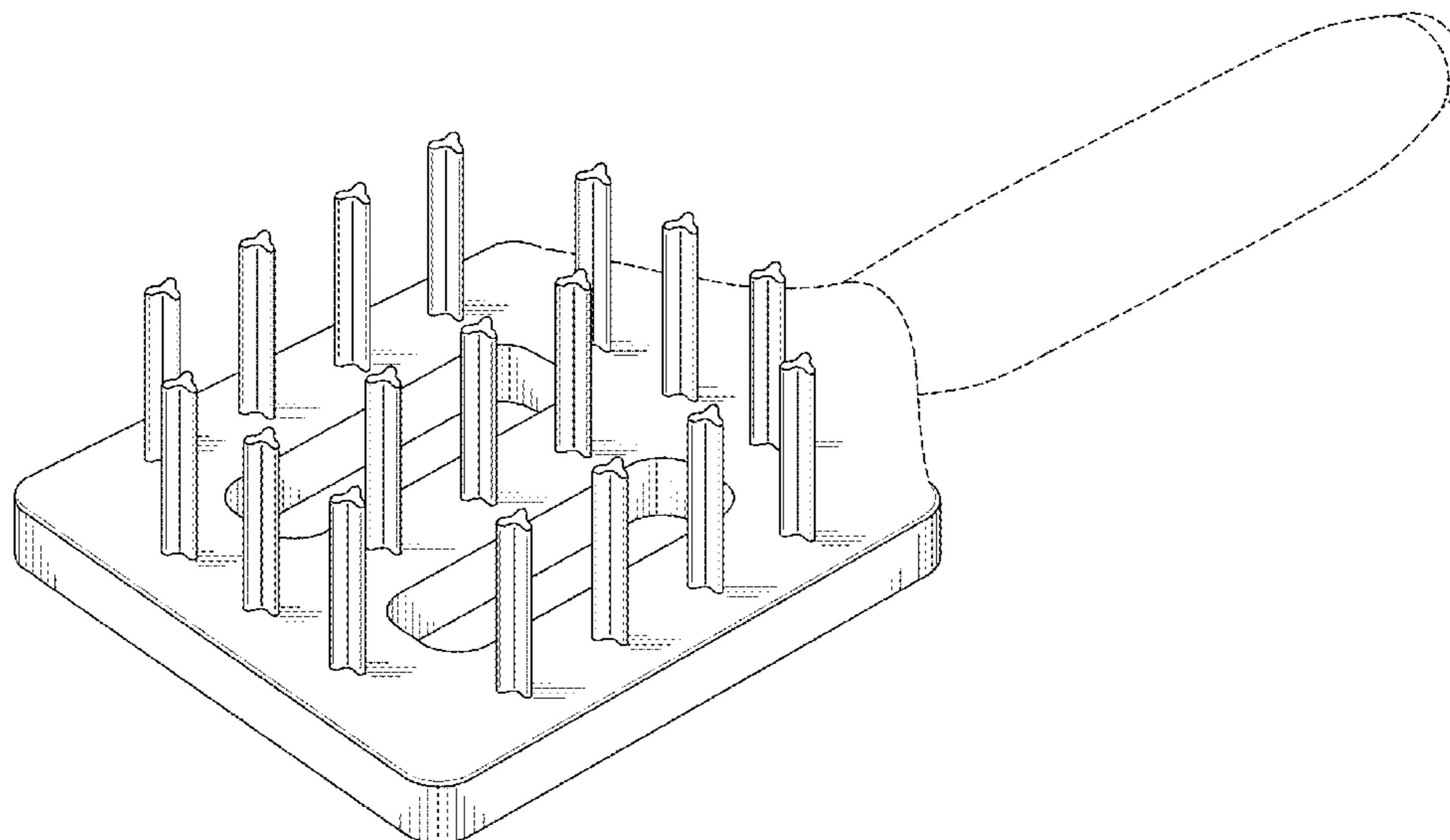
The broken lines in the drawings depict parts of the volumizing and diffusing hairbrush that form no part of the claimed design.

1 Claim, 5 Drawing Sheets

(56) **References Cited**

U.S. PATENT DOCUMENTS

- D92,170 S * 5/1934 Ganary D7/669
- D96,261 S * 7/1935 Kogan D28/64.4
- D104,618 S * 5/1937 Tourigny D4/116
- D166,086 S * 3/1952 Le Febvre D4/136
- D176,304 S * 12/1955 Bennett D4/134
- D176,554 S * 1/1956 Racicot D4/134
- D232,547 S * 8/1974 Walti D22/124
- 3,886,617 A * 6/1975 Labran A46B 17/06
15/169
- D334,665 S * 4/1993 Johnson D4/114
- D384,058 S * 9/1997 Pinon D4/121
- D388,289 S * 12/1997 Denison D7/692
- 5,715,847 A 2/1998 Rolf et al.
- D417,551 S * 12/1999 Pinchuk D30/158
- 6,158,442 A 12/2000 Piatetsky



(56)

References Cited

U.S. PATENT DOCUMENTS

D839,608 S * 2/2019 Laenner D4/134
2010/0176562 A1* 7/2010 Linzell B25B 13/44
279/123

OTHER PUBLICATIONS

Ulta Beauty. "Olivia Garden FingerBrush Vented Hair Brush." Online product listing; www.ulta.com/fingerbrush-vented-hair-brush?productId=xlslmpprod5960518. pp. 7, [Retrieved Apr. 16, 2019.].
Conair. "Conair Pro Universal Volumizing Diffuser." Online product listing; Amazon, www.amazon.com/Conair-Pro-Universal-Volumizing-Diffuser/dp/B009AX9YJ6. pp. 8, [Retrieved May 3, 2019.].

* cited by examiner

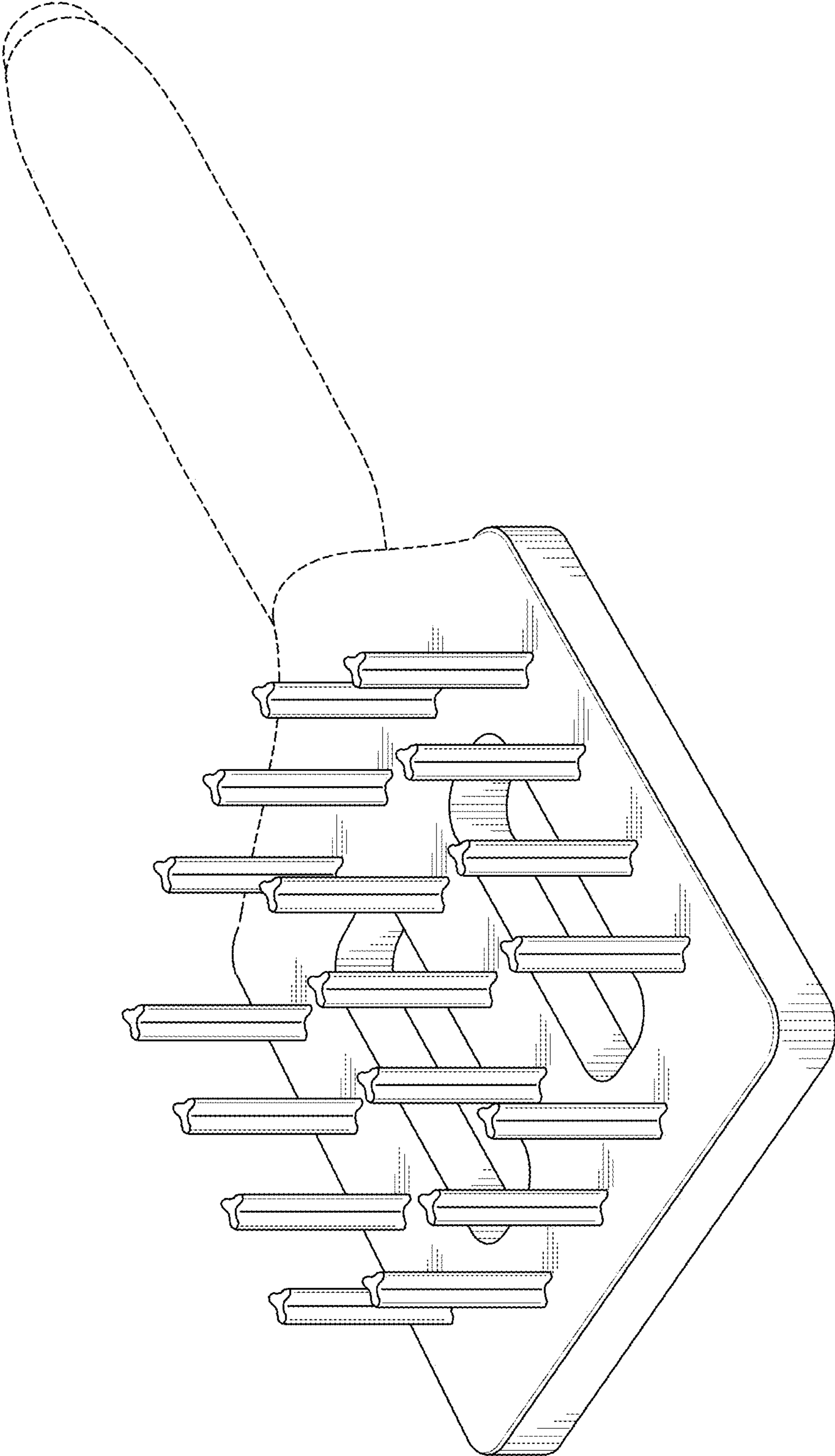


FIG. 1

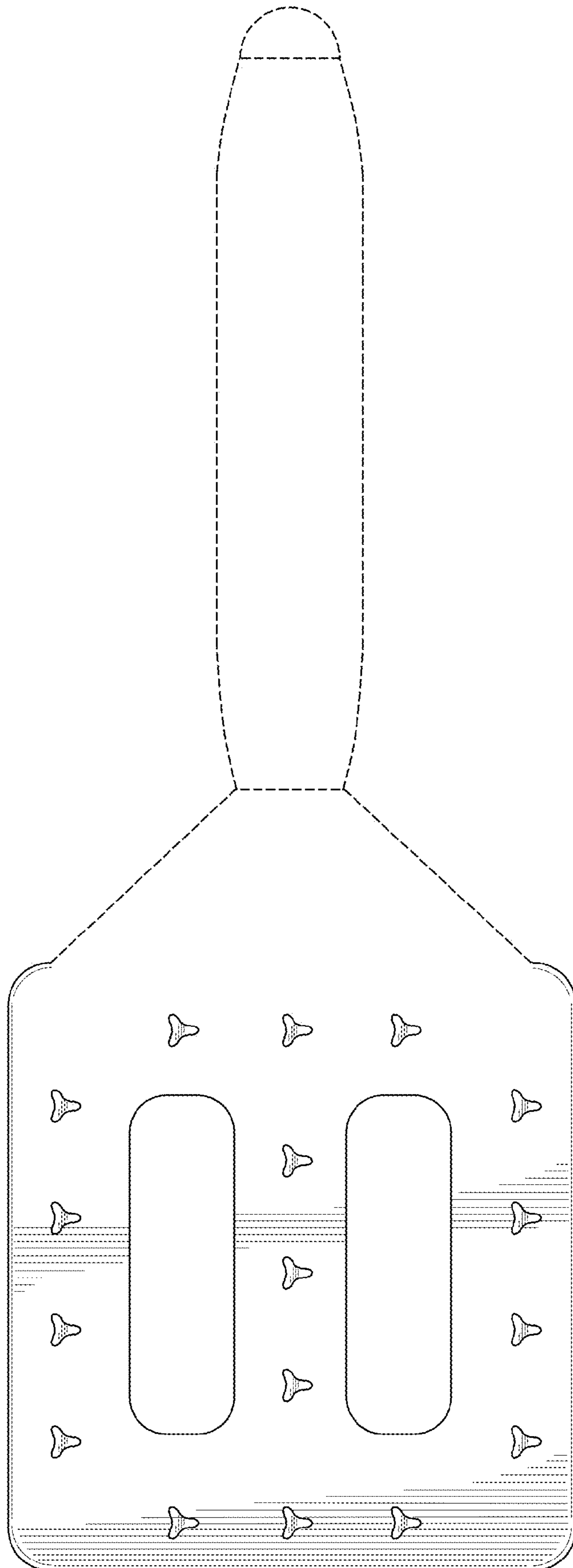


FIG. 2

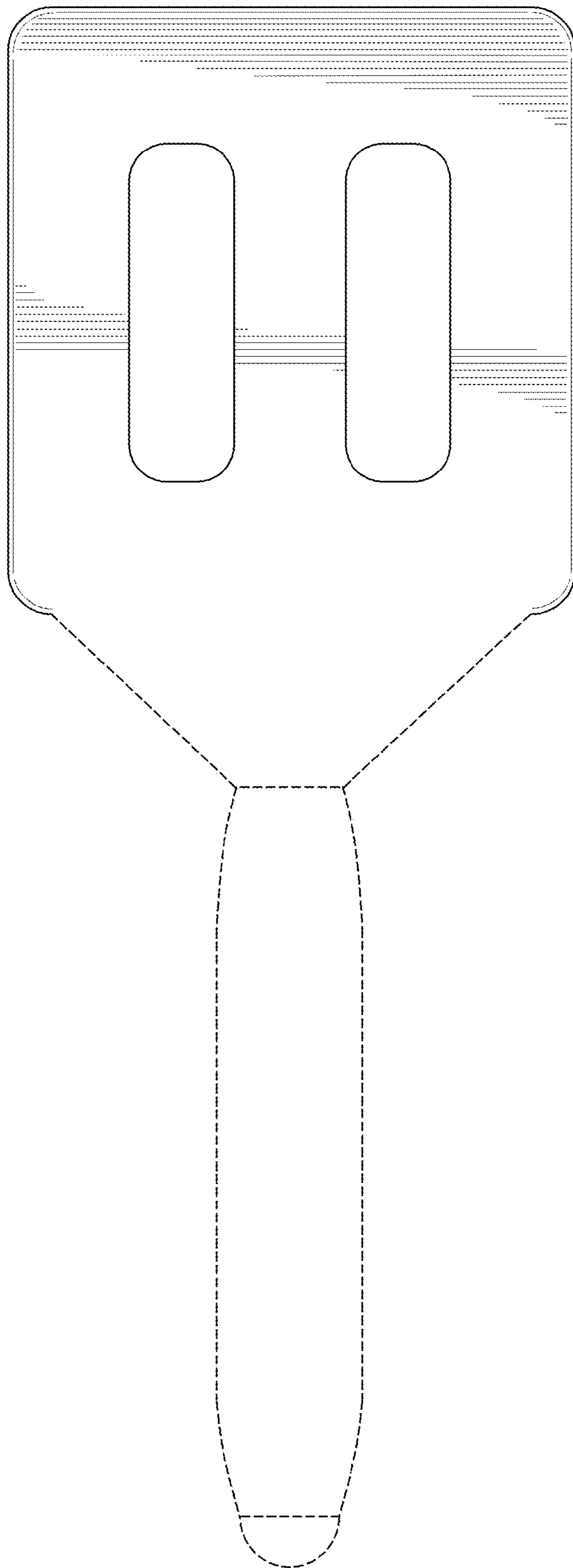


FIG. 3

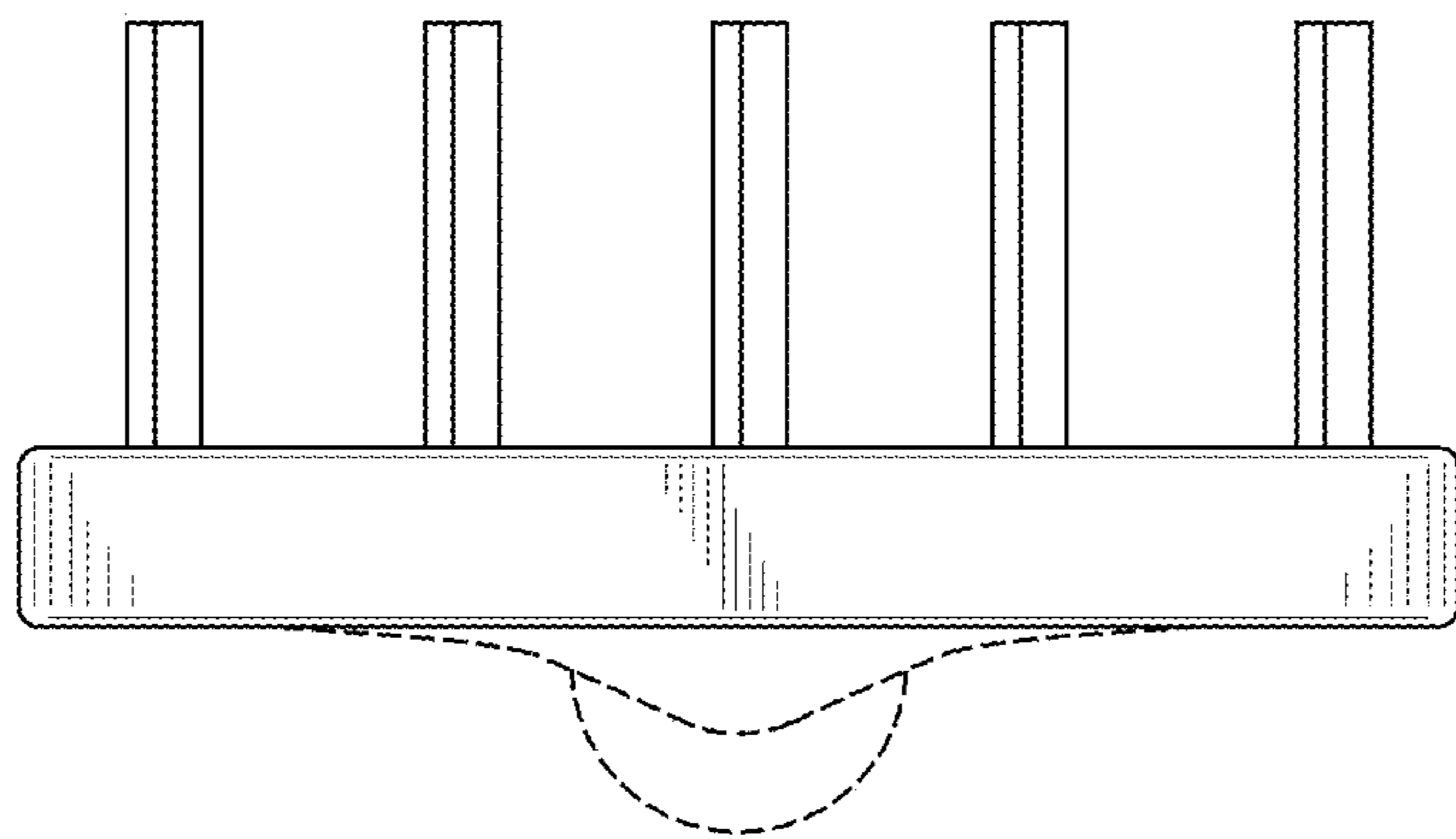


FIG. 4

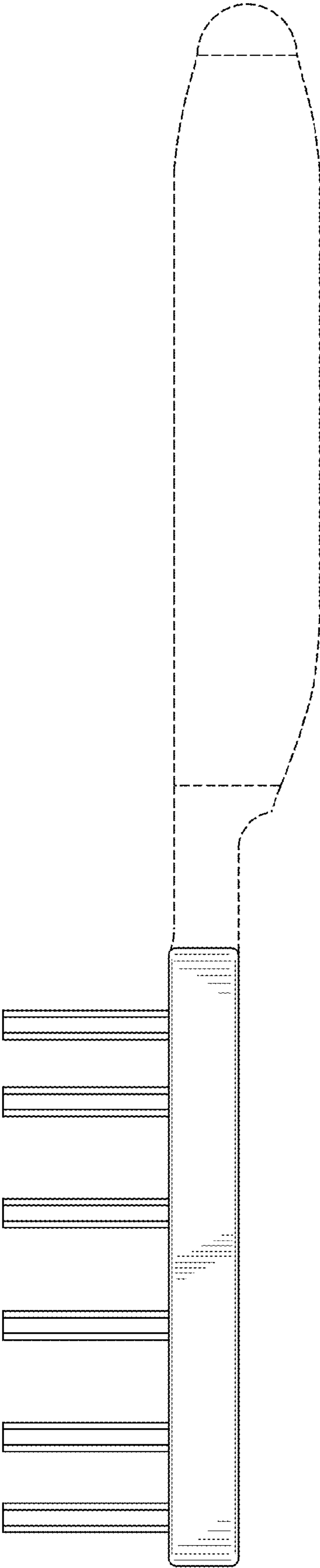


FIG. 5

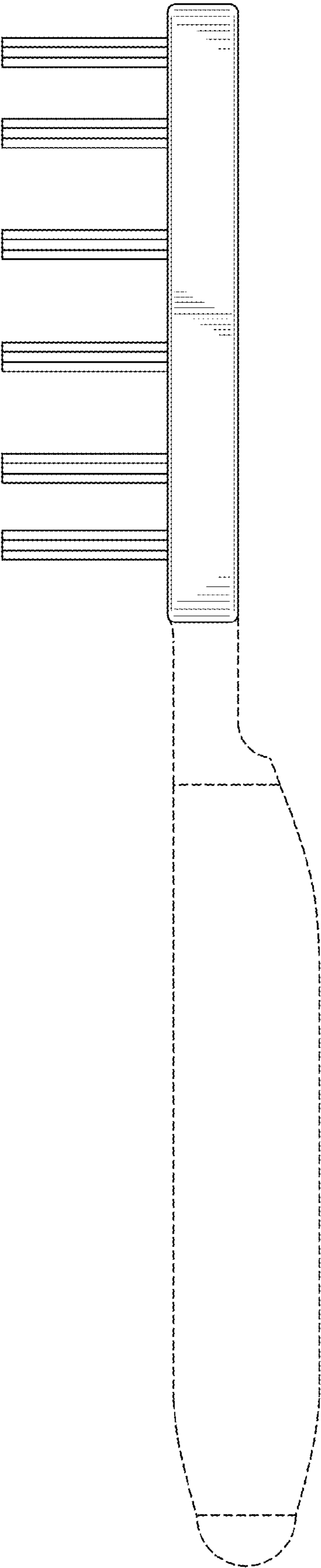


FIG. 6