



US00D899095S

(12) **United States Design Patent** (10) **Patent No.:** **US D899,095 S**
Gormany (45) **Date of Patent:** **** Oct. 20, 2020**

(54) **POWERED TOILET BOWL BRUSH**
(71) Applicant: **Freeman Gormany**, Grand Prairie, TX (US)
(72) Inventor: **Freeman Gormany**, Grand Prairie, TX (US)
(**) Term: **15 Years**
(21) Appl. No.: **29/718,863**
(22) Filed: **Dec. 30, 2019**
(51) **LOC (12) Cl.** **04-01**
(52) **U.S. Cl.**
USPC **D4/102**
(58) **Field of Classification Search**
USPC D4/100, 102, 116, 119, 121, 122, 127, D4/128, 130, 133, 118, 134, 137, 138, D4/199; D32/19, 40, 51, 25; D28/63; 15/213, 159.1, 160, 179, 180
CPC .. A46B 5/02; A46B 7/08; A46B 17/02; A46B 15/0095; A46B 15/0097; A46B 2200/304; A46B 2200/3046; A46B 9/005
See application file for complete search history.

(56) **References Cited**
U.S. PATENT DOCUMENTS
3,150,399 A 9/1964 Dick et al.
3,737,694 A * 6/1973 Rabenhorst F16F 15/30
310/74
4,353,144 A 10/1982 Mayberry et al.
D334,095 S 3/1993 Beets et al.
D367,174 S 2/1996 Matossian
D404,924 S 2/1999 Schmidt
5,903,951 A * 5/1999 Ionta A46B 3/005
15/180
D425,276 S * 5/2000 George D32/40
7,121,937 B2 * 10/2006 Turch A46B 3/04
451/526
8,011,051 B1 9/2011 Ba-Akeel et al.

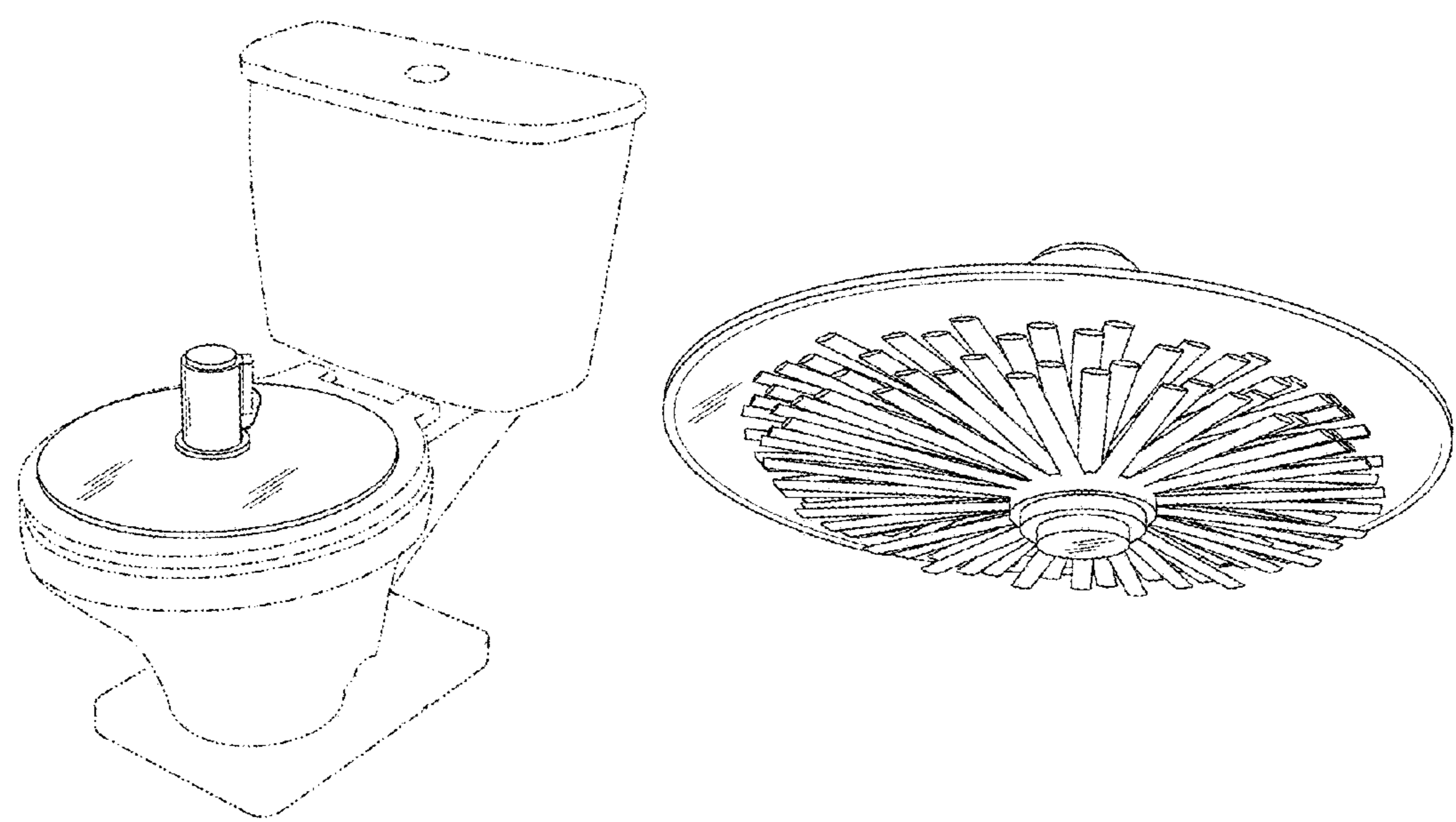
8,819,883 B2 * 9/2014 Laing A63B 57/60
15/160
9,380,859 B2 * 7/2016 Pender A46B 13/04
9,943,197 B2 * 4/2018 Shabat A47K 11/10
D823,603 S 7/2018 Ballard
D838,423 S * 1/2019 Troger D32/50
2014/0137357 A1 5/2014 Ralea
2019/0059676 A1 * 2/2019 Blum A46B 15/0053
2020/0138179 A1 * 5/2020 Keiser A46B 13/008

* cited by examiner
Primary Examiner — Karen E Eldridge Powers
(74) *Attorney, Agent, or Firm* — Suzanne Kikel, Patent Agent

(57) **CLAIM**
The ornamental design for a powered toilet bowl brush, as shown and described.

DESCRIPTION
FIG. 1 is a top, rear, and right side perspective view of a powered toilet bowl brush, showing my new design.
FIG. 2 is a top, front, and left side perspective view of the powered toilet bowl brush of FIG. 1 positioned in a toilet bowl.
FIG. 3 is a bottom perspective view of the powered toilet bowl brush of FIG. 1.
FIG. 4 is a front elevation view thereof.
FIG. 5 is a rear elevation view thereof.
FIG. 6 is a right side elevation view thereof.
FIG. 7 is a left side elevation view thereof.
FIG. 8 is a bottom plan view thereof; and,
FIG. 9 is a top plan view thereof.
The broken lines showing a toilet bowl in FIG. 2 depict environmental subject matter and form no part of the claimed design.

1 Claim, 7 Drawing Sheets



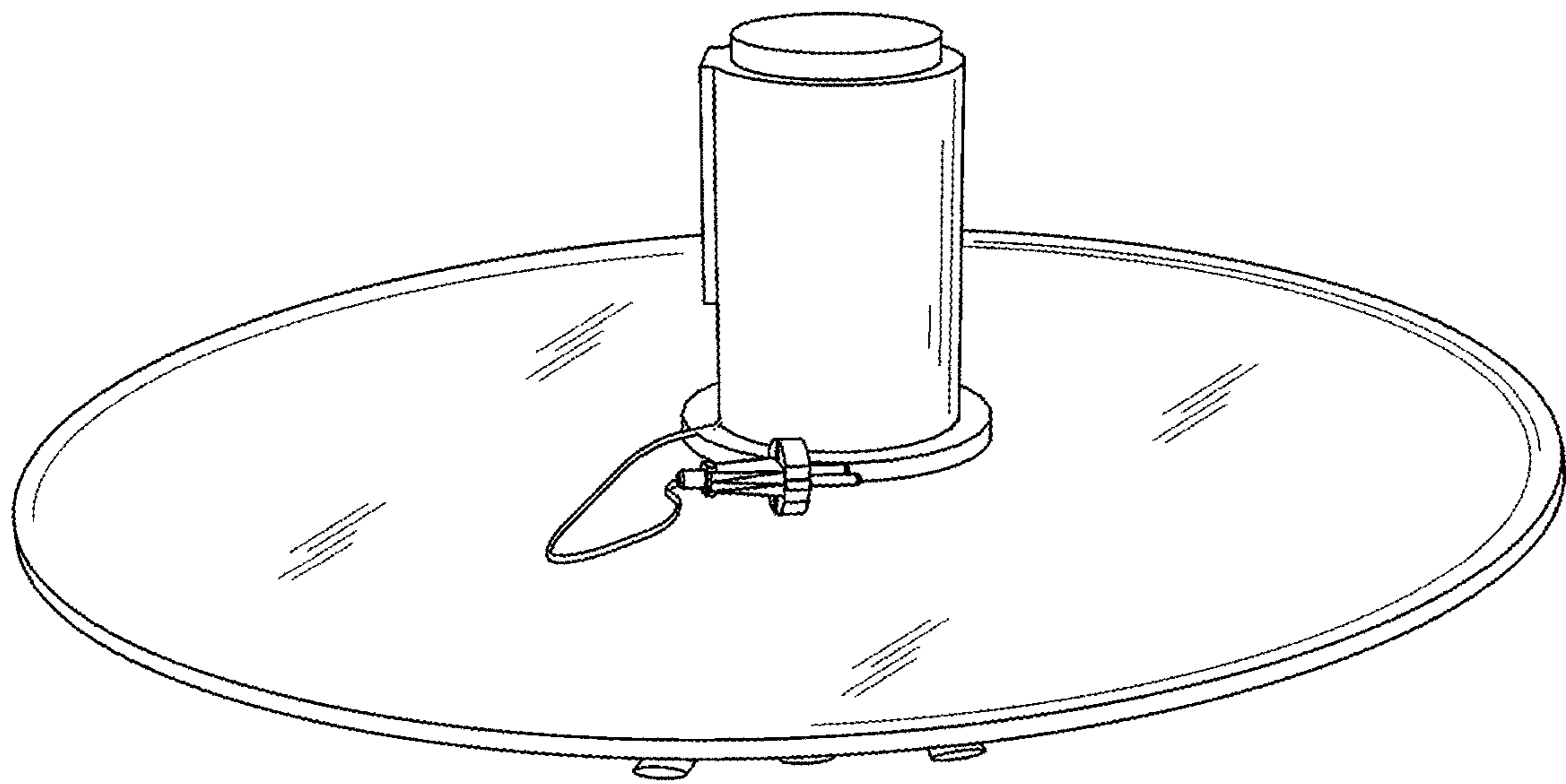


FIG.1

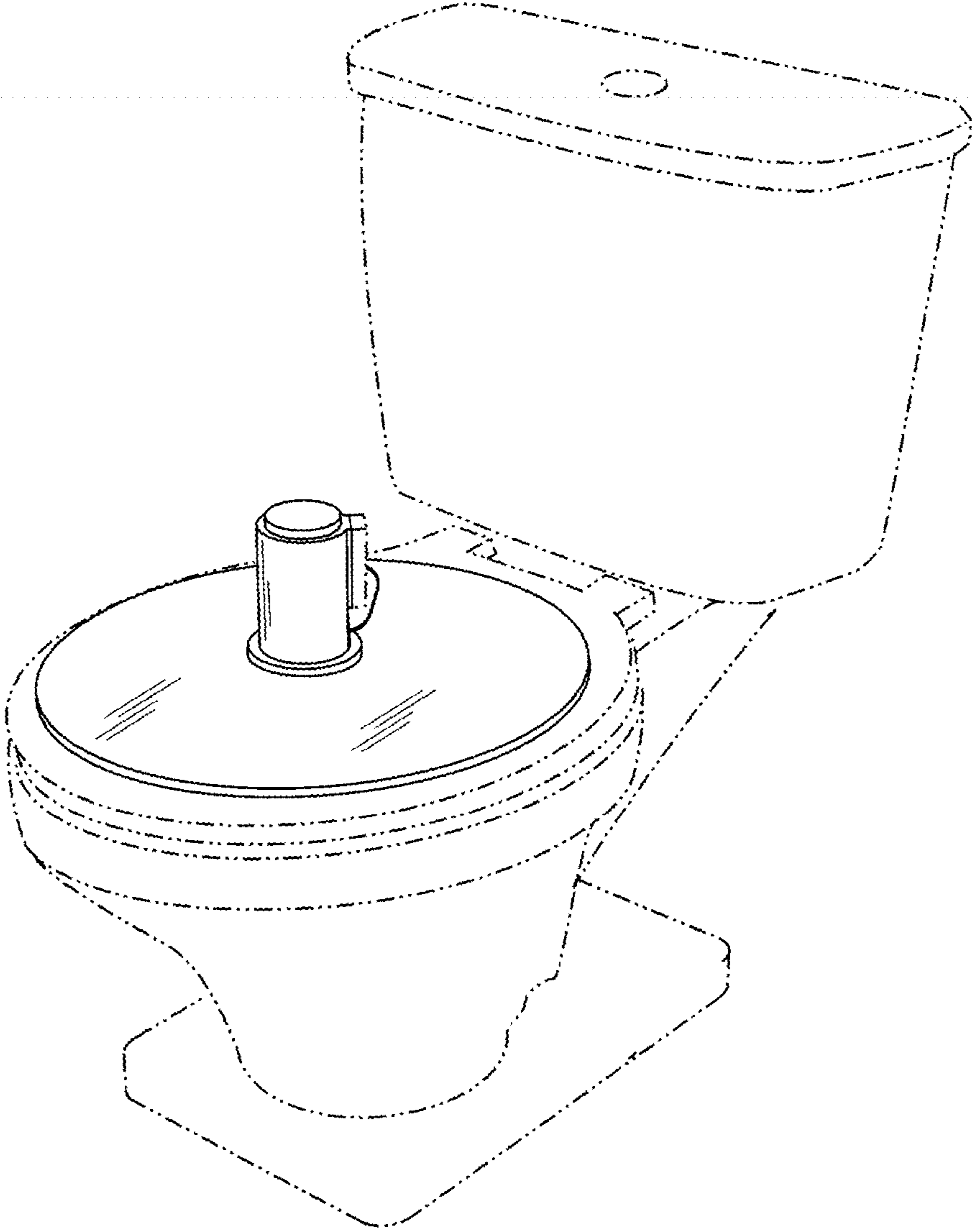


FIG. 2

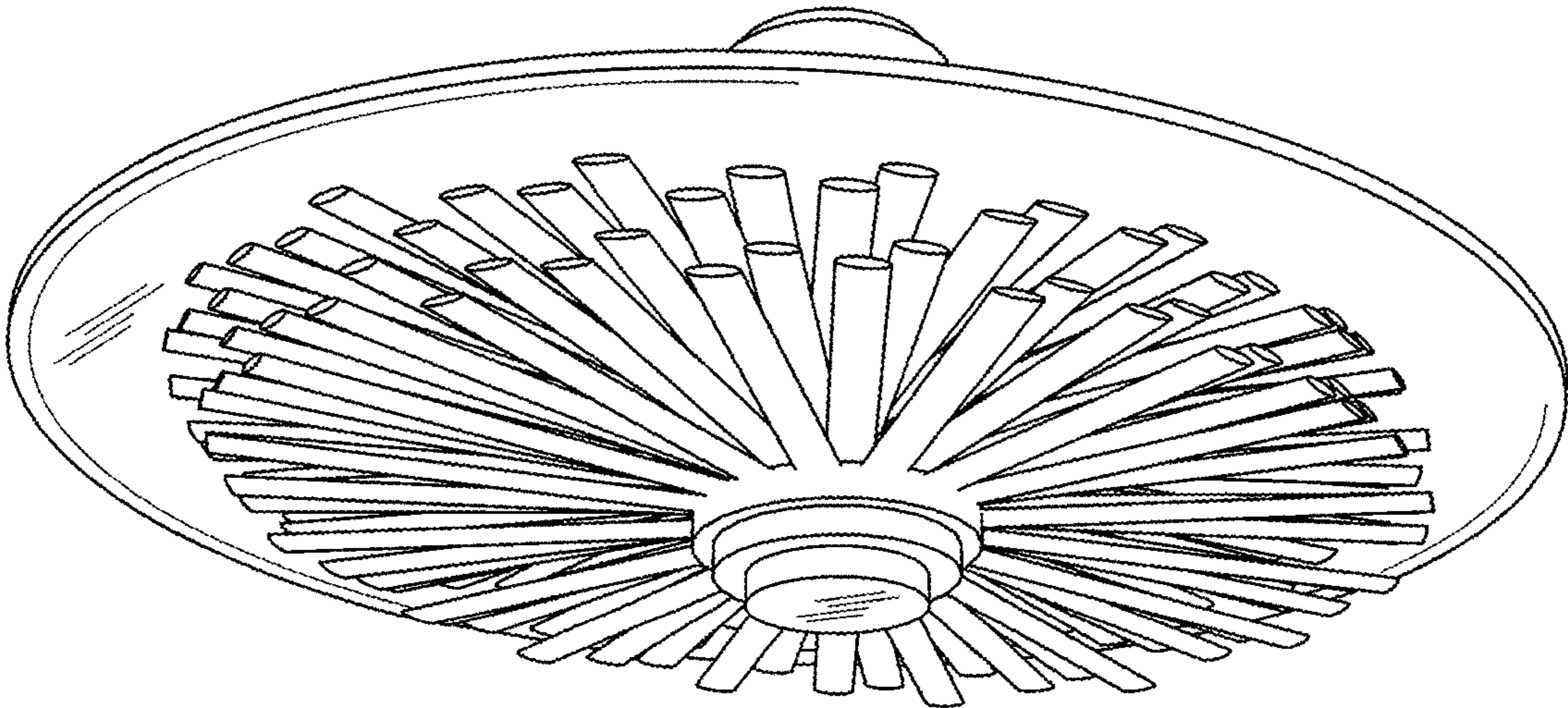


FIG. 3

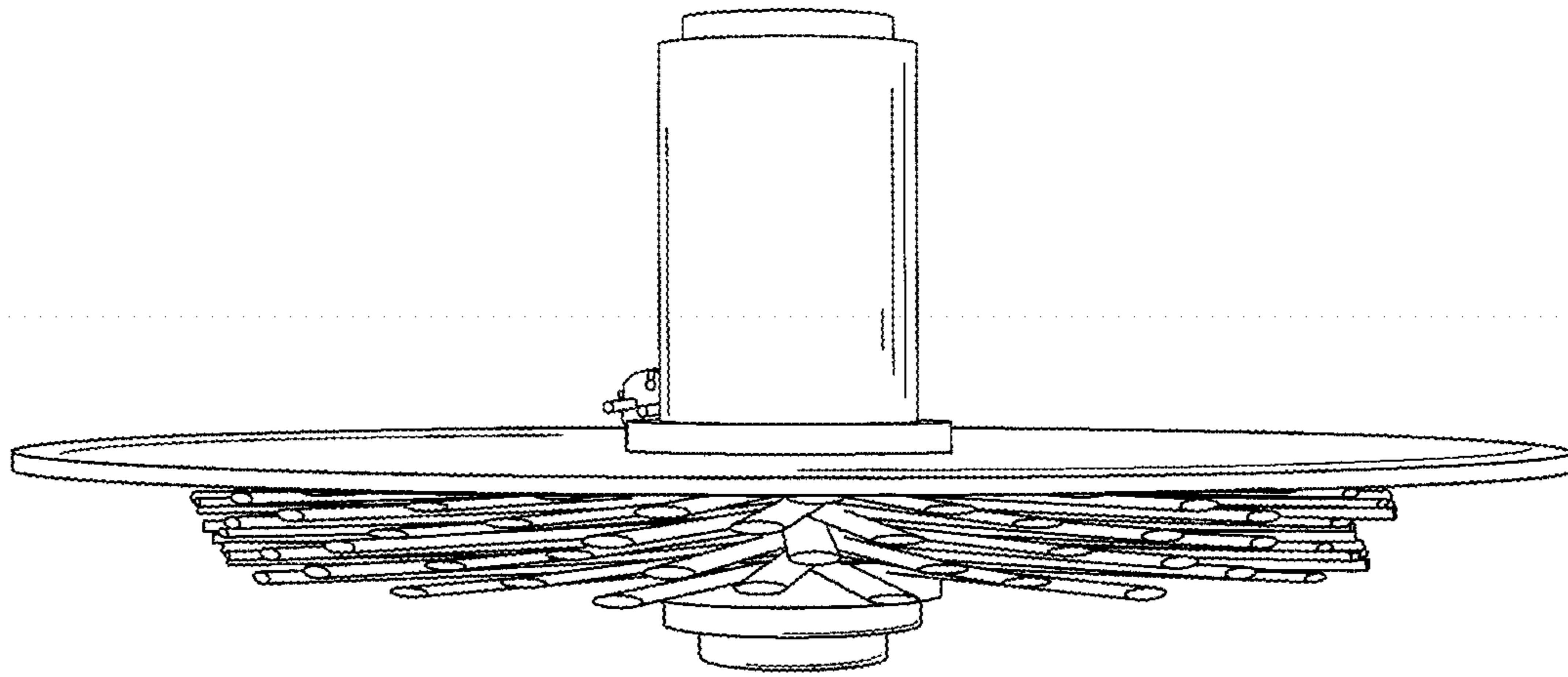


FIG. 4

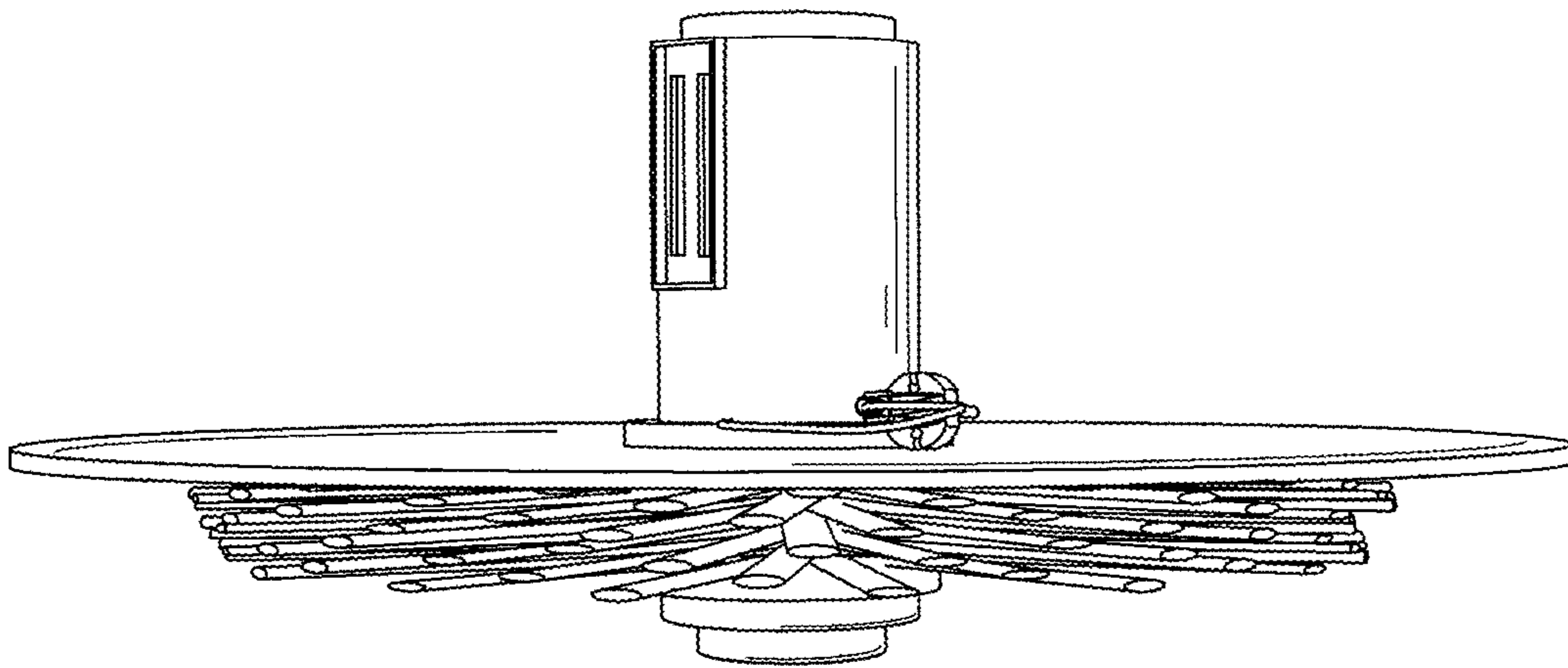


FIG. 5

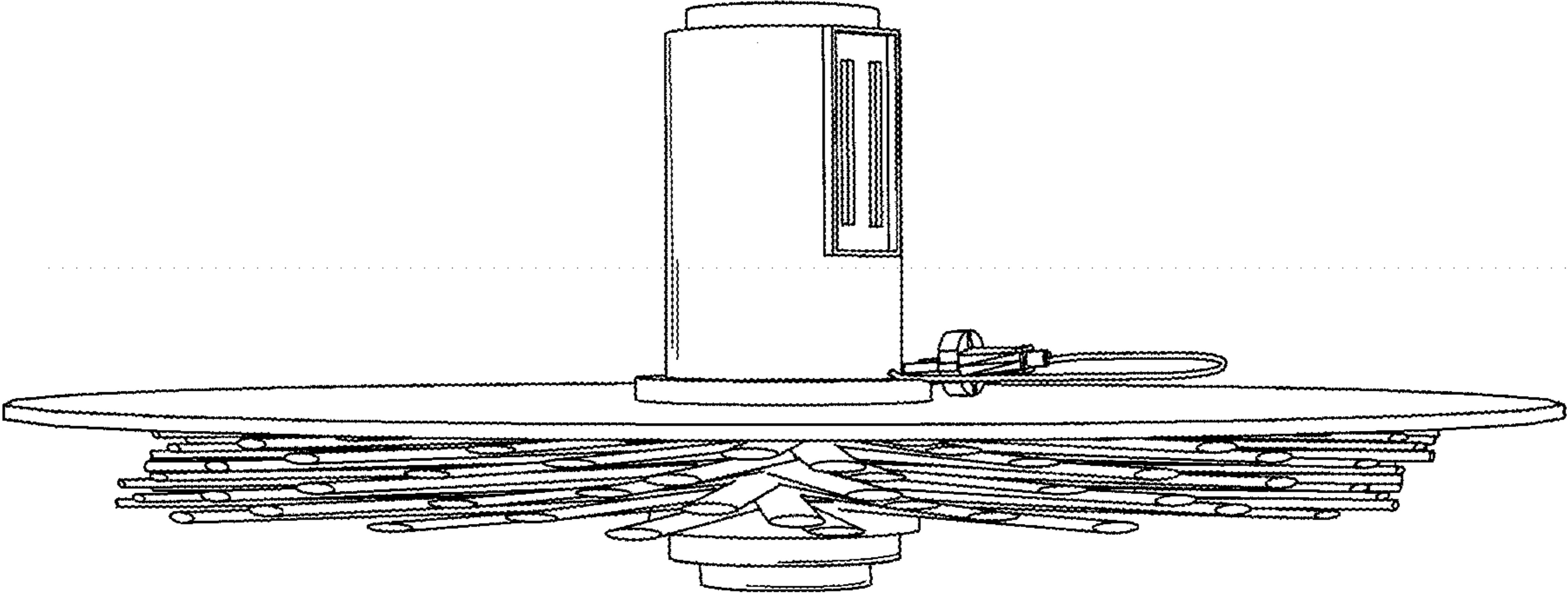


FIG. 6

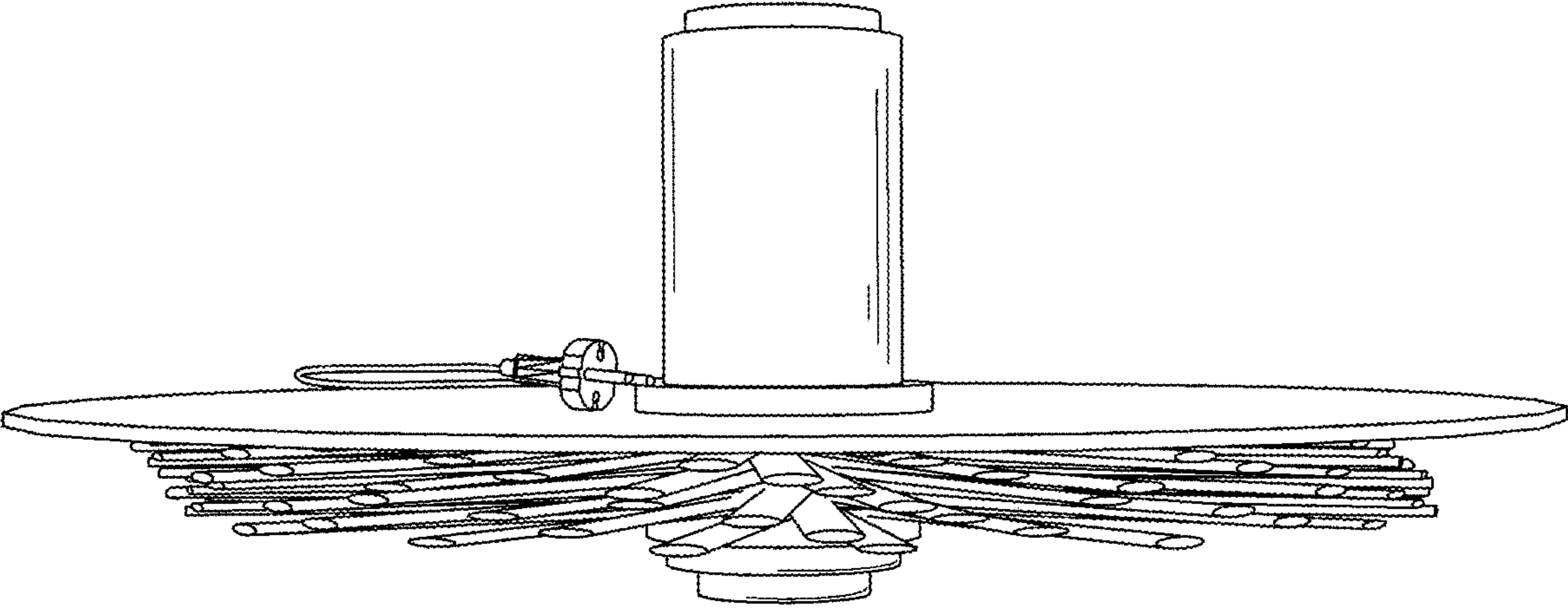


FIG. 7

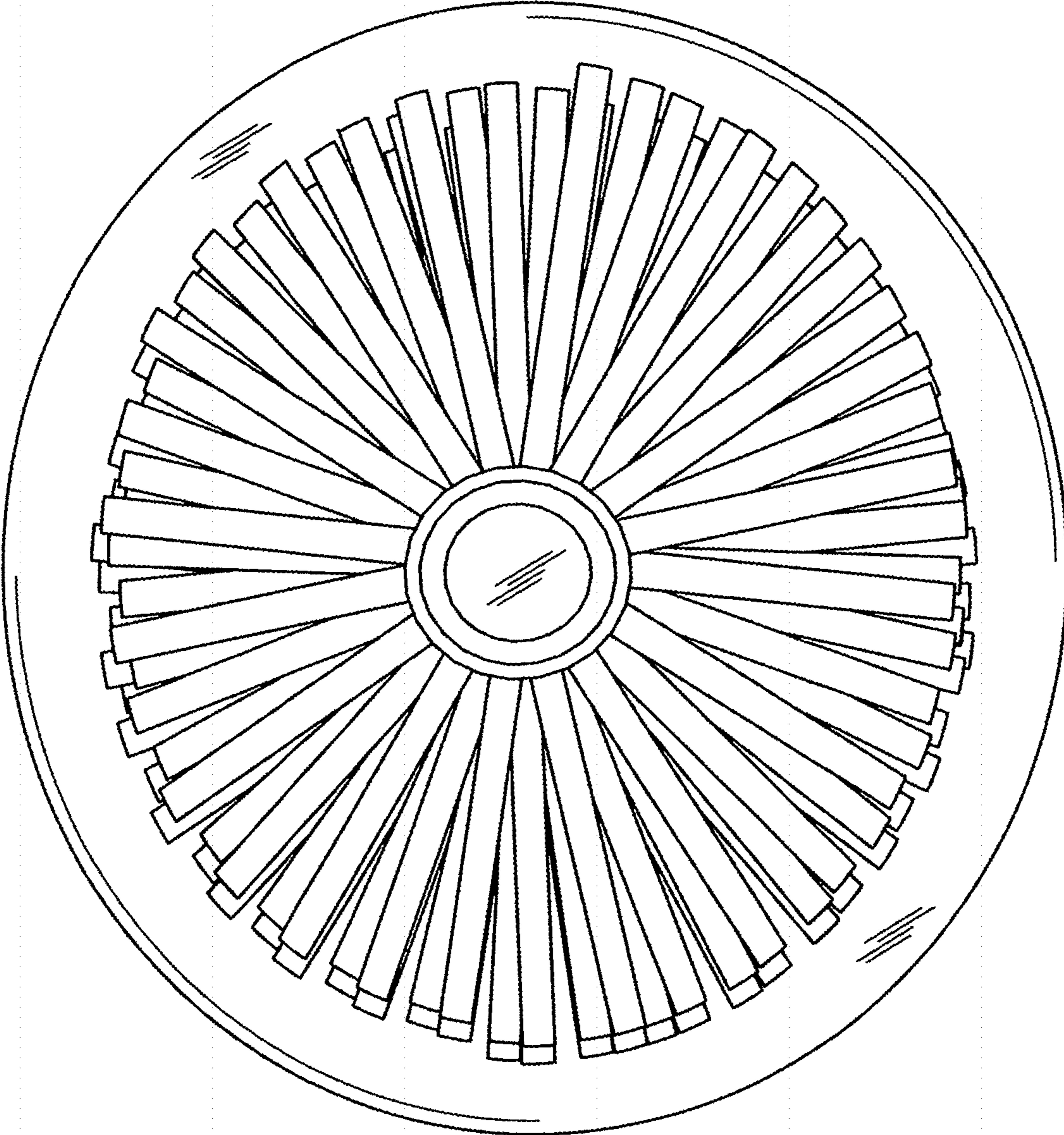


FIG. 8

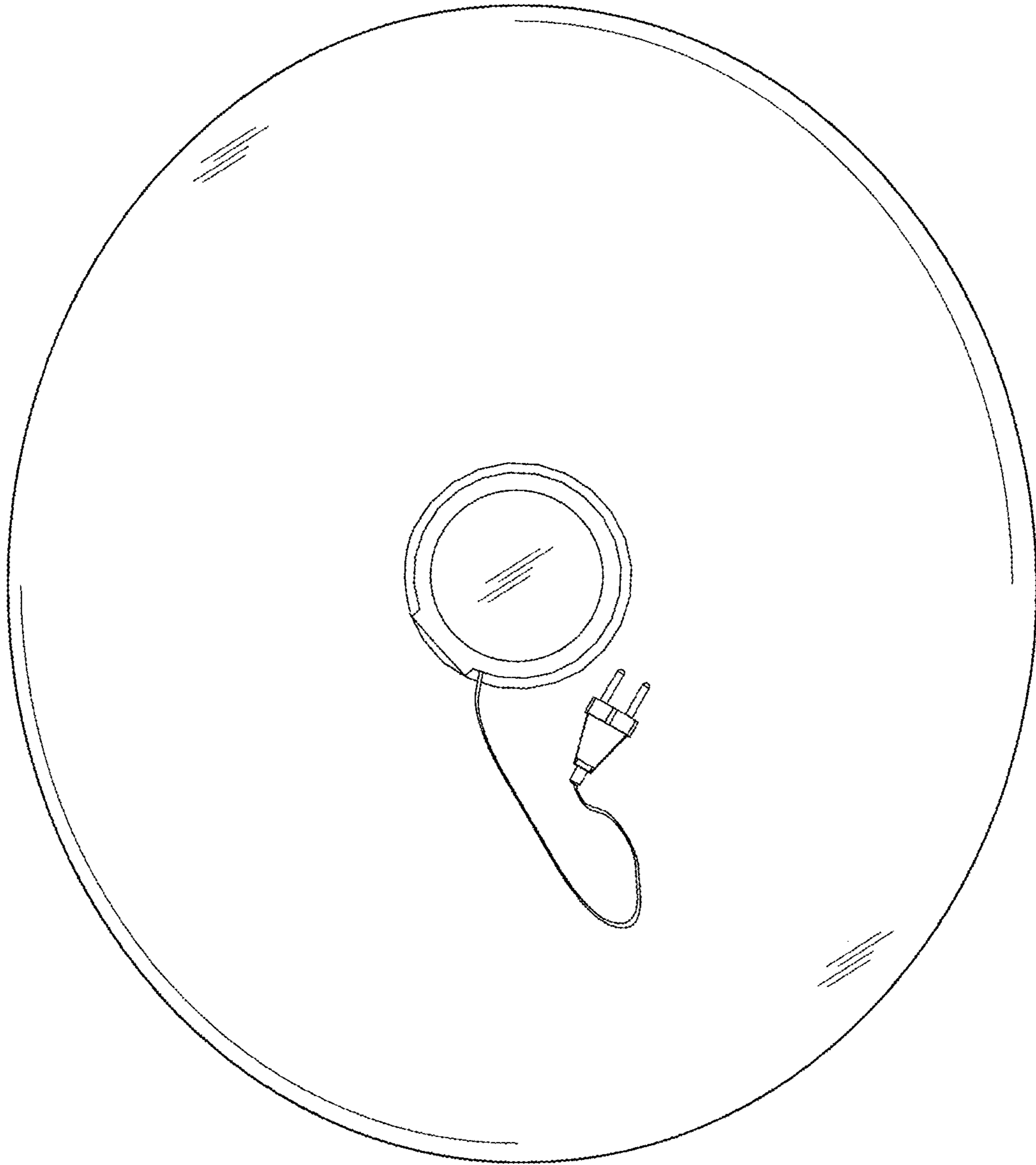


FIG. 9