



US00D899090S

(12) **United States Design Patent**  
**Zhang**

(10) **Patent No.:** **US D899,090 S**

(45) **Date of Patent:** **\*\* Oct. 20, 2020**

(54) **FIREPROOF BAG**

(71) Applicant: **DINGHAO (ZHEJIANG) NEW MATERIALS TECHNOLOGY CO., LTD**, Jiaxing OT (CN)

(72) Inventor: **Zhi Ping Zhang**, Haining (CN)

(\*\*) Term: **15 Years**

(21) Appl. No.: **29/604,840**

(22) Filed: **May 21, 2017**

(51) **LOC (12) Cl.** ..... **03-01**

(52) **U.S. Cl.**  
USPC ..... **D3/299**

(58) **Field of Classification Search**

USPC ..... D3/201, 203.5, 205–206, 218, 219, 222, D3/224, 226, 227, 230, 299, 303, 273; D14/250, 251, 253; D21/394; D27/172, D27/183, 185, 186; 206/5, 315.1, 320, 206/579, 37.1, 38.1; 150/147; 224/217, 224/240, 901, 904; D9/702, 705, 709, D9/720, 414; D99/28, 99

CPC ..... A45C 13/30; A45C 1/04; B65D 2301/20; B65D 2313/02; B65D 5/20

See application file for complete search history.

(56) **References Cited**

**U.S. PATENT DOCUMENTS**

D266,202 S *	9/1982	Berman	.....	D3/230
D307,673 S *	5/1990	Brown	.....	224/240
5,127,500 A *	7/1992	Mitchell	.....	A45C 3/02 16/111.1
D329,750 S *	9/1992	Gilmore	.....	224/240
5,316,141 A *	5/1994	Jalomo	.....	B65D 5/20 150/128
D398,777 S *	9/1998	Epstein	.....	D3/218
D408,128 S *	4/1999	Sheiner	.....	D3/203.2
5,931,270 A *	8/1999	Mitchell	.....	A45C 13/26 150/108

D423,211 S *	4/2000	Giliberti	.....	D3/226
D429,881 S *	8/2000	Gray	.....	D3/215
D438,008 S *	2/2001	Snider	.....	D3/299
D453,994 S *	3/2002	Meissner	.....	D3/273
D475,084 S *	5/2003	Wigard	.....	D19/26
6,629,628 B1 *	10/2003	Canepari	.....	A45C 1/04 150/112
D496,792 S *	10/2004	Crites	.....	D3/278
D522,750 S *	6/2006	Girod	.....	D3/303
D534,721 S *	1/2007	Hussaini	.....	D3/218
D551,849 S *	10/2007	Hoeksema	.....	D3/207
D557,490 S *	12/2007	Fedon	.....	D3/206
D590,392 S *	4/2009	Wang	.....	D14/356
D607,205 S *	1/2010	Sabbah	.....	D3/243
D609,713 S *	2/2010	Du	.....	D14/436
D619,358 S *	7/2010	Dillard	.....	D3/243
D620,258 S *	7/2010	Fahrendorff	.....	D3/299
D630,840 S *	1/2011	Windlass	.....	D3/218

(Continued)

*Primary Examiner* — W. A. Teddy Falloway

(74) *Attorney, Agent, or Firm* — HYIP

(57) **CLAIM**

The ornamental design for a fireproof bag, as shown and described.

**DESCRIPTION**

FIG. 1 is a front elevation view of a fireproof bag showing my new design;

FIG. 2 is a rear elevation view thereof;

FIG. 3 is a left side elevation view thereof;

FIG. 4 is a right side elevation view thereof;

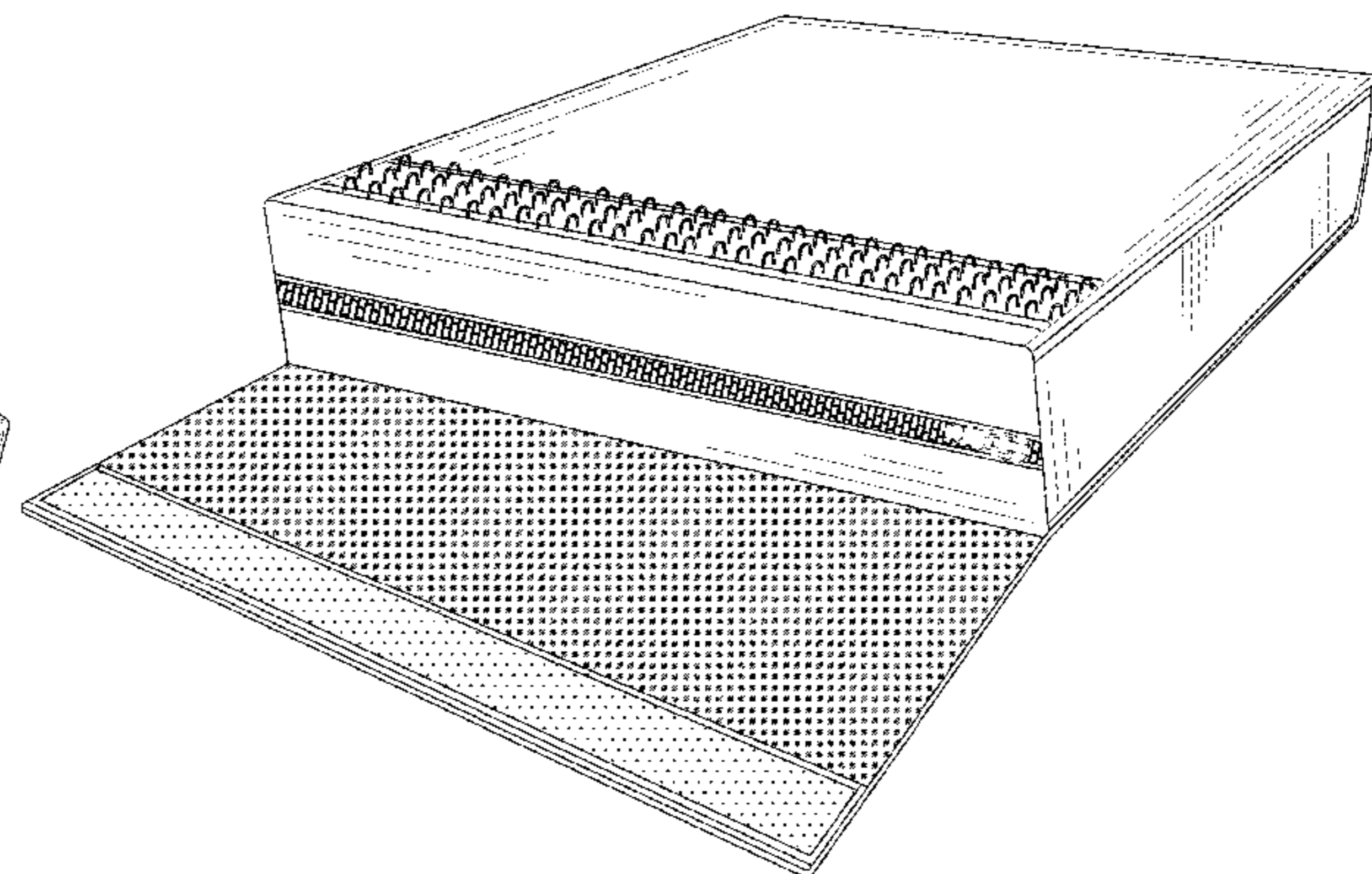
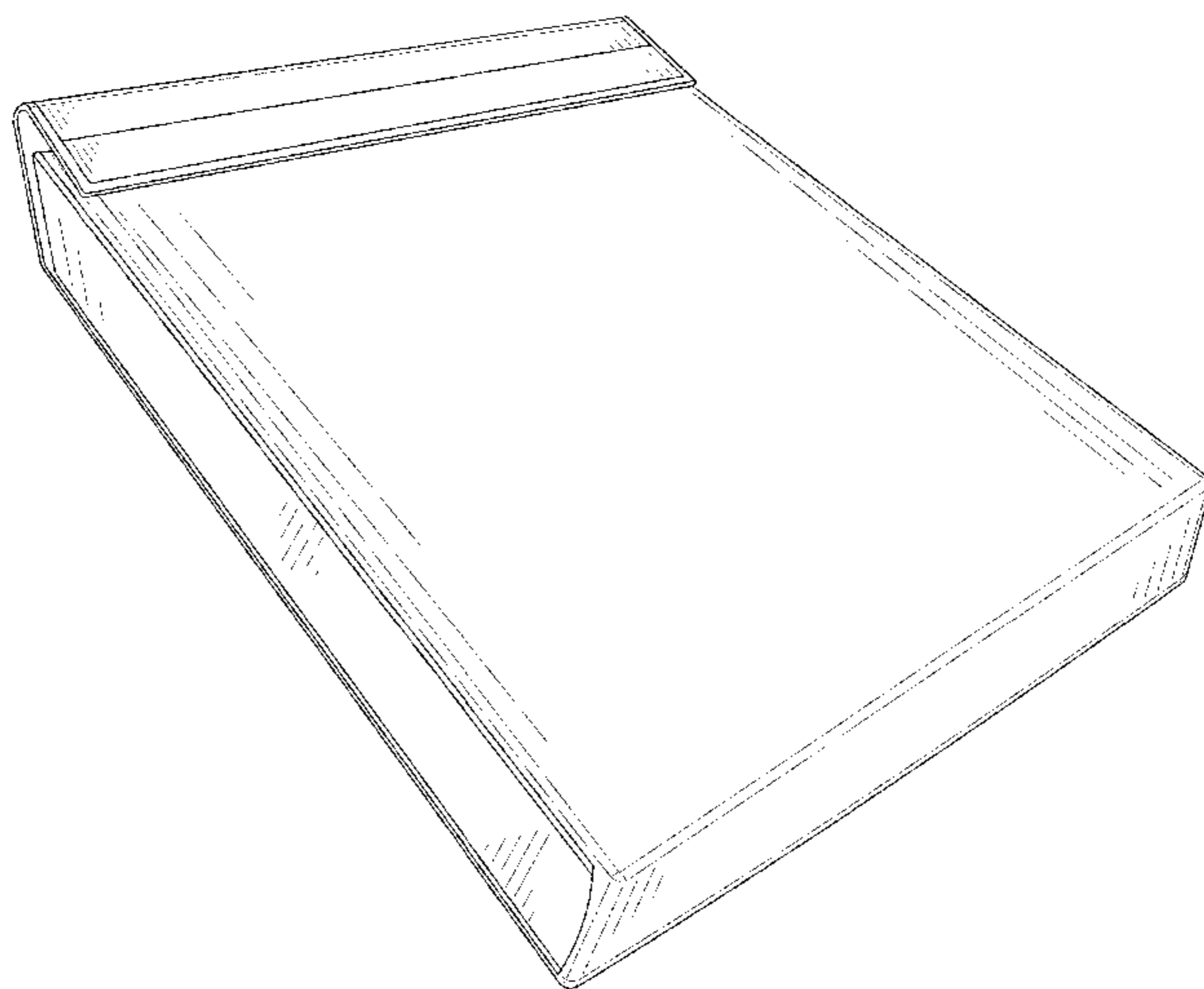
FIG. 5 is a top plan view thereof;

FIG. 6 is a bottom plan view thereof;

FIG. 7 is a bottom, front, left perspective view thereof; and, FIG. 8 is a top, front, left perspective view thereof, shown with the cover in an opened position.

The broken lines in the drawings depict portions of the fireproof bag that form no part of the claimed design.

**1 Claim, 8 Drawing Sheets**



(56)

References Cited

U.S. PATENT DOCUMENTS

D667,195	S *	9/2012	Guo .....	D99/28
D675,436	S *	2/2013	Hsiao .....	D3/299
D675,437	S *	2/2013	Hsiao .....	D3/299
D675,438	S *	2/2013	Hsiao .....	D3/299
D690,512	S *	10/2013	Phillips .....	D3/299
D695,521	S *	12/2013	Vernall .....	D3/299
D715,546	S *	10/2014	Olsson .....	D3/266
D724,315	S *	3/2015	Farrell .....	D3/226
D753,387	S *	4/2016	Now .....	D3/230
D790,722	S *	6/2017	Tyler .....	D24/207
D797,443	S *	9/2017	Holmes .....	D3/226
D804,178	S *	12/2017	Groning .....	D3/299
D823,598	S *	7/2018	Krainz .....	D3/299
D831,498	S *	10/2018	Zhang .....	D9/702
D843,715	S *	3/2019	Schickel .....	D3/226
D850,102	S *	6/2019	Denny .....	D3/230
D854,829	S *	7/2019	Taxel .....	D3/299
D865,363	S *	11/2019	Liu .....	D3/303
D867,759	S *	11/2019	Liu .....	D3/303
D880,159	S *	4/2020	Fenton .....	D3/303
2009/0206622	A1 *	8/2009	Craft .....	A45C 13/26 294/165
2013/0343675	A1 *	12/2013	Gourchounian .....	E04H 15/64 383/3
2018/0201412	A1 *	7/2018	Parque .....	B65D 27/20
2018/0375079	A1 *	12/2018	Robison .....	H01M 2/1094

\* cited by examiner

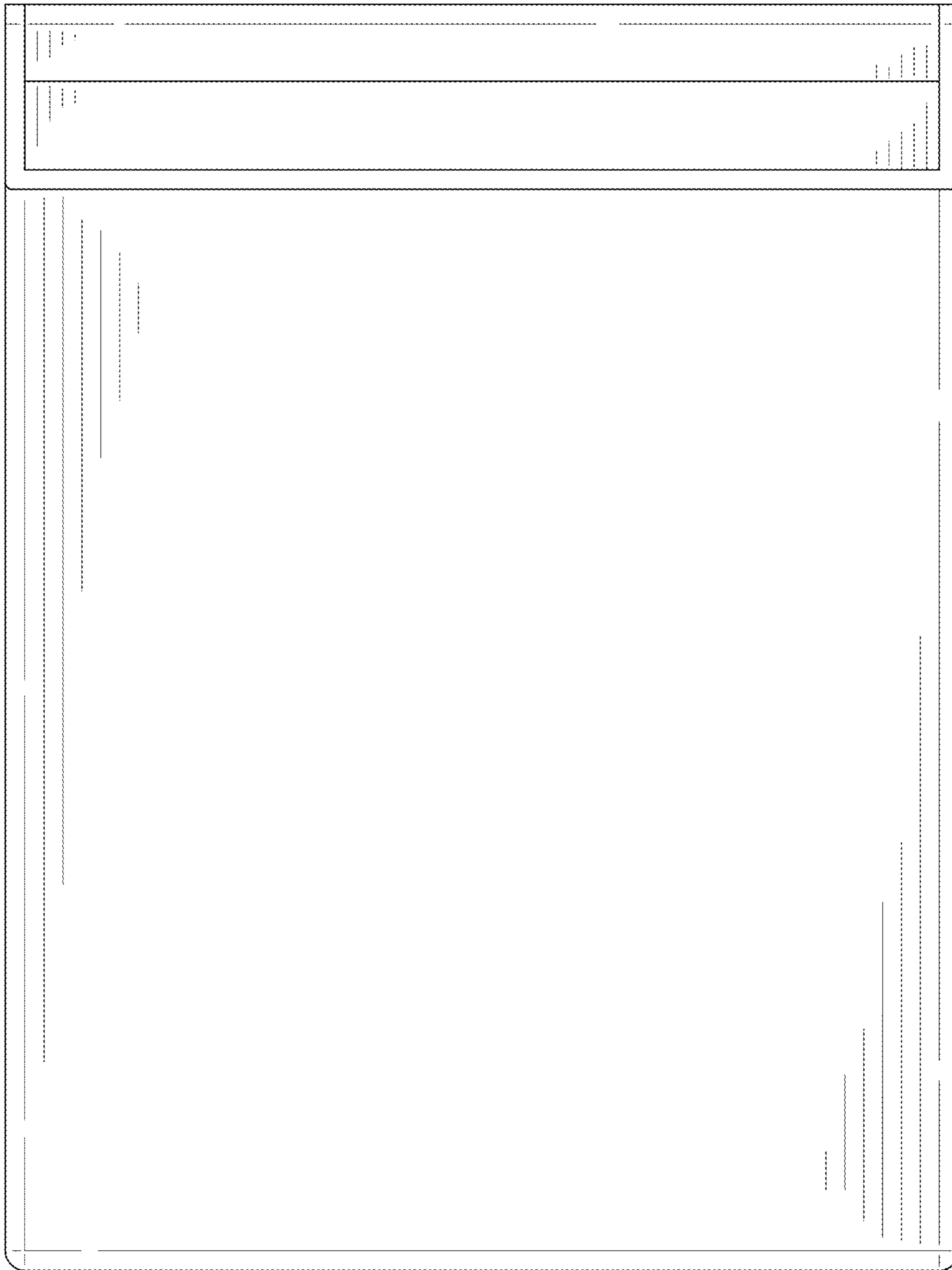


FIG. 1

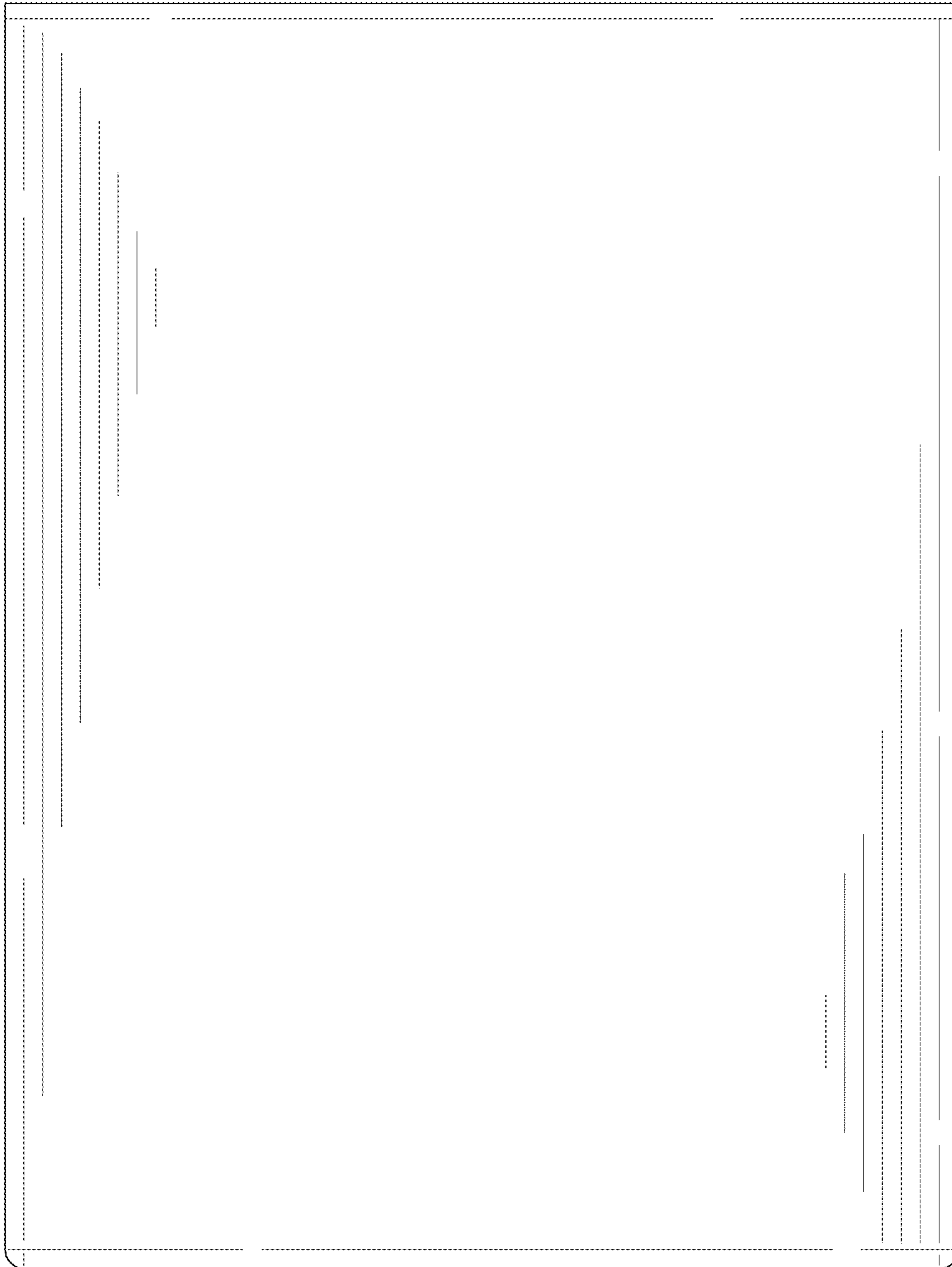


FIG. 2

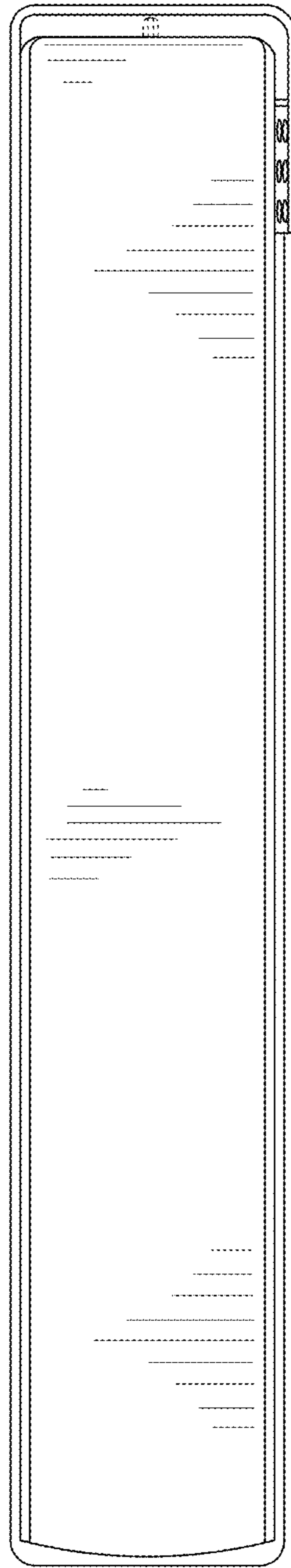


FIG. 3

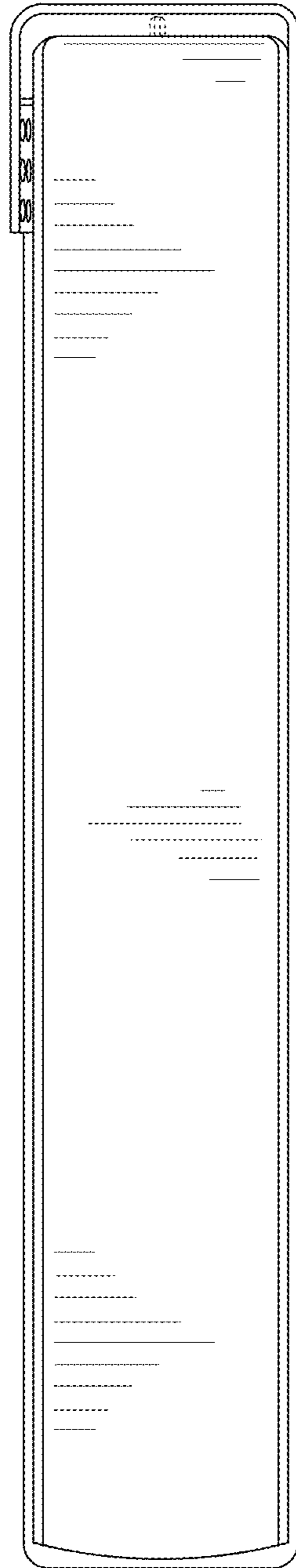


FIG. 4

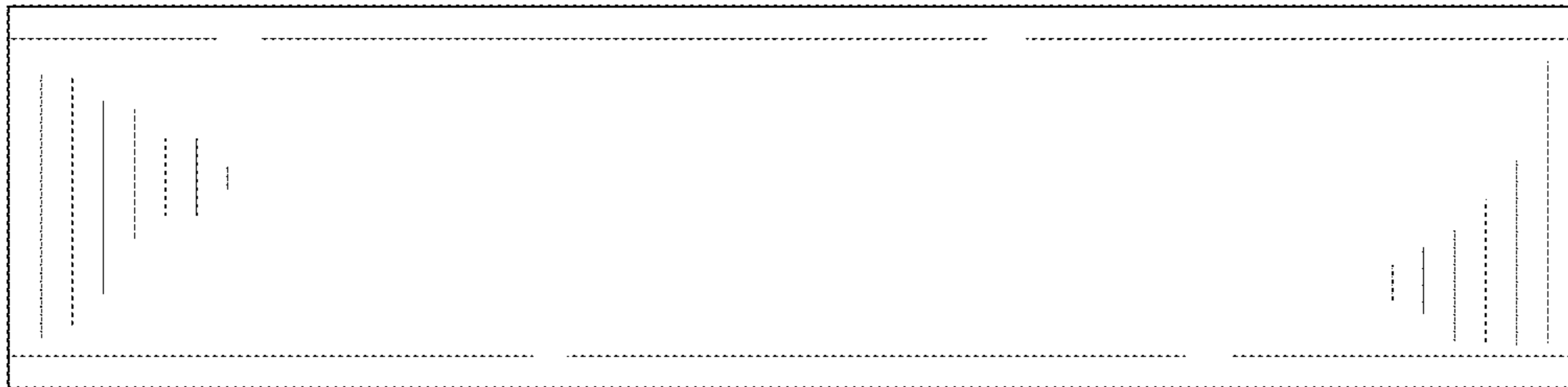


FIG. 5

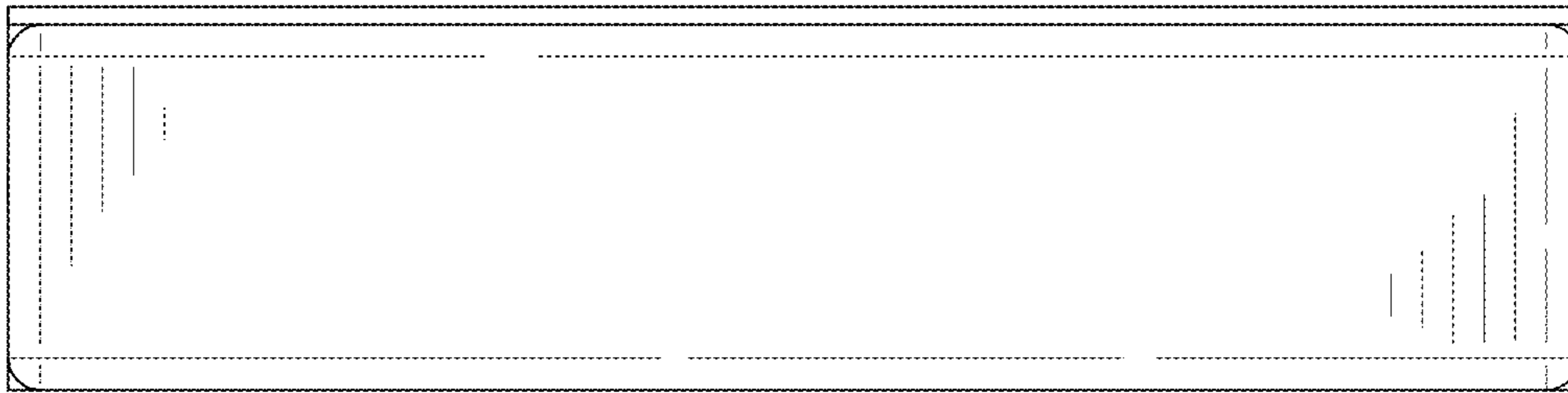


FIG. 6



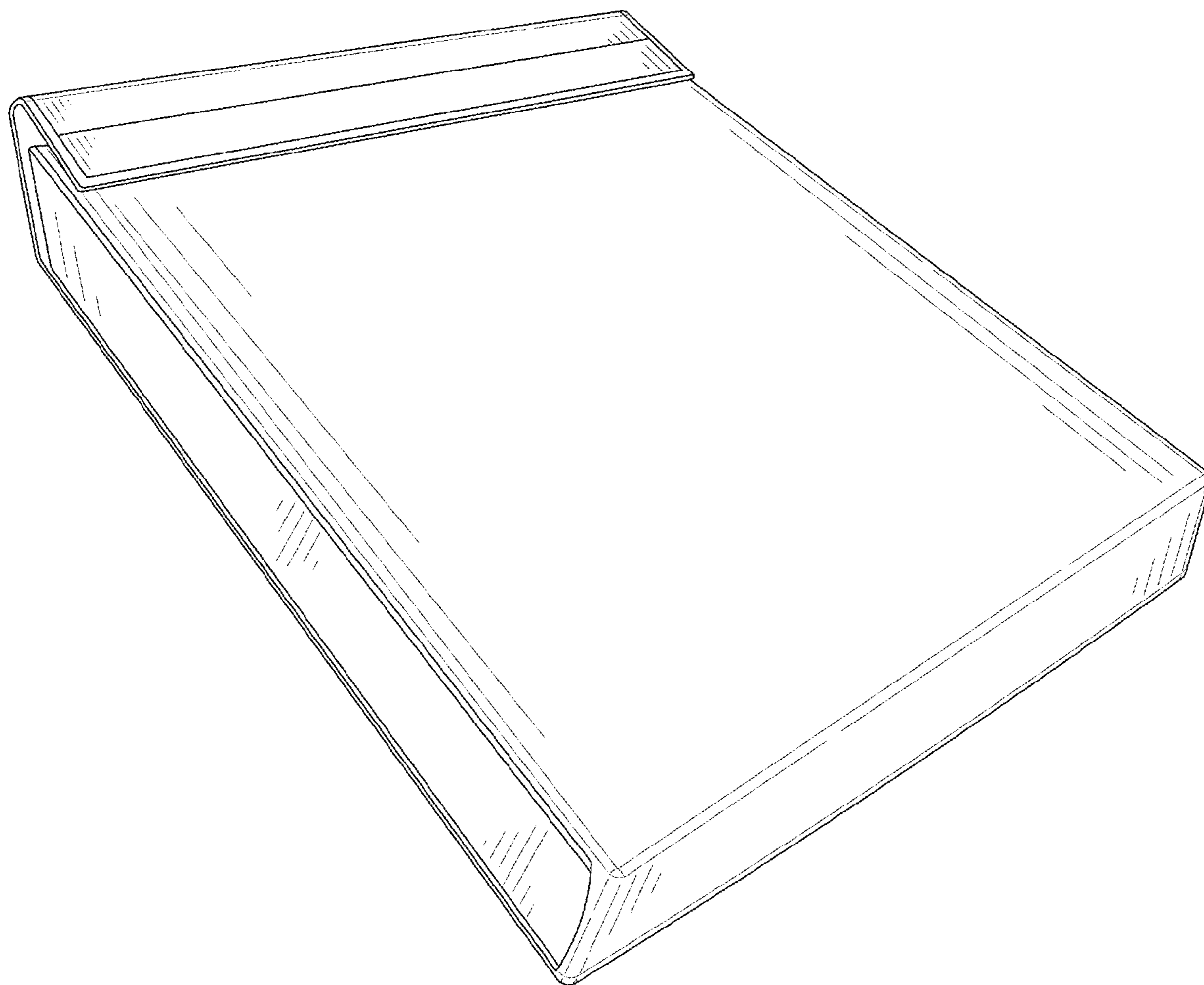


FIG. 7

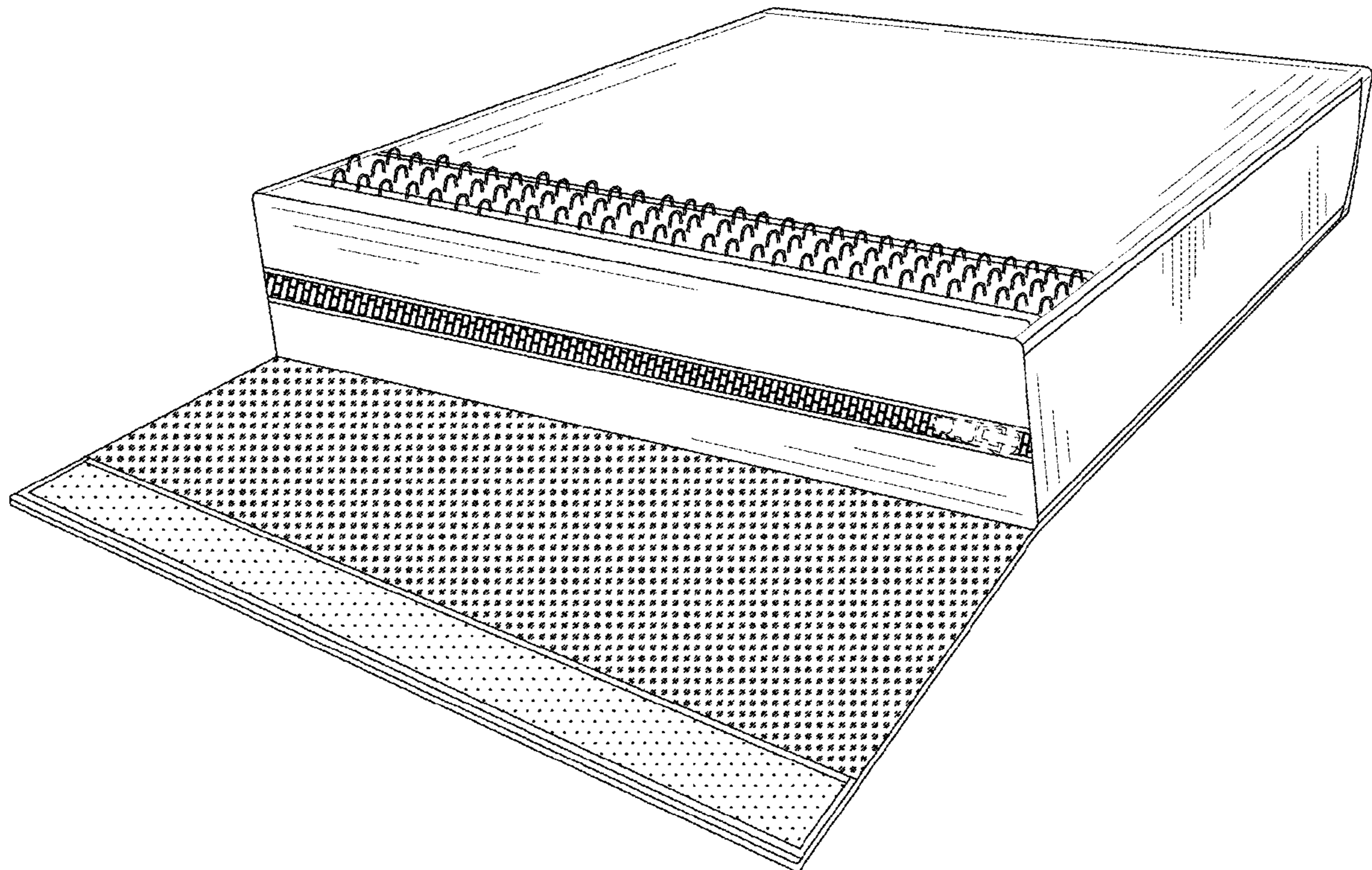


FIG. 8