



US00D899089S

(12) **United States Design Patent**  
**Yu**

(10) **Patent No.:** **US D899,089 S**  
(45) **Date of Patent:** **\*\* Oct. 20, 2020**

(54) **EARPHONE CASE**

(71) Applicant: **Yanzhu Yu**, Xiangyang (CN)

(72) Inventor: **Yanzhu Yu**, Xiangyang (CN)

(\*\*) Term: **15 Years**

(21) Appl. No.: **29/653,767**

(22) Filed: **Jun. 18, 2018**

(51) **LOC (12) Cl.** ..... **03-01**

(52) **U.S. Cl.**

USPC ..... **D3/297**; D13/108

(58) **Field of Classification Search**

USPC ..... D3/201, 215–218, 226, 260, 269,  
D3/273–302, 307, 315, 318, 319,  
D3/321–328, 905, 203.1, 203.2, 203.3,  
D3/205, 901, 903, 904; D13/107–108;  
D14/250, 401, 454, 223; D21/324, 333,  
D21/332; D9/428; D28/76–78, 82–83  
CPC .. A45C 1/00; A45C 1/02; A45C 1/024; A45C  
1/04; A45C 1/06; A45C 2001/022; A45C  
2001/067; A45C 2001/083; A45C  
2001/086; A45C 2001/101; A45C  
2001/102; A45C 3/00; A45C 3/001; A45C  
3/04; A45C 3/045; A45C 3/06; A45C  
3/10; A45C 5/00; A45C 5/03; A45C 5/04;  
A45C 5/06; A45C 5/08; A45C 5/14;  
A45C 5/141; A45C 5/146; A45C  
2005/032; A45C 2005/035; A45C  
2005/037; A45C 2005/142; A45C  
2005/147; A45C 2005/148; A45C 7/00;  
A45C 7/0018; A45C 7/005; A45C  
7/0045; A45C 7/0054; A45C 7/0059;  
A45C 7/0095; A45C 2011/001; A45C  
2011/002; A45C 2011/003; A45C 11/20

See application file for complete search history.

(56) **References Cited**

**U.S. PATENT DOCUMENTS**

D322,031 S \* 12/1991 Fleming ..... D3/294  
D342,808 S \* 12/1993 Bakic ..... D28/82

D354,680 S \* 1/1995 Chen ..... D9/428  
D373,954 S \* 9/1996 Wolff ..... D3/302  
D391,944 S \* 3/1998 Han ..... D14/356  
D402,412 S \* 12/1998 Thorpe ..... D28/82  
D494,633 S \* 8/2004 Nussberger ..... D21/324  
D511,895 S \* 11/2005 Vish ..... D3/318  
D561,022 S \* 2/2008 Terrasi ..... D9/424  
D561,470 S \* 2/2008 Jalet ..... D3/294

(Continued)

**OTHER PUBLICATIONS**

iFrogz 302101371 Audio—Wireless Earbud Charging Case, available May 15, 2018, amazon.com [online]. Retrieved Jul. 3, 2020 from internet <URL:https://www.youtube.com/watch?v=dog5GS3e6Oc> (Year: 2018).\*

*Primary Examiner* — Cathron C Brooks  
*Assistant Examiner* — Andrew T Nemeth

(57) **CLAIM**

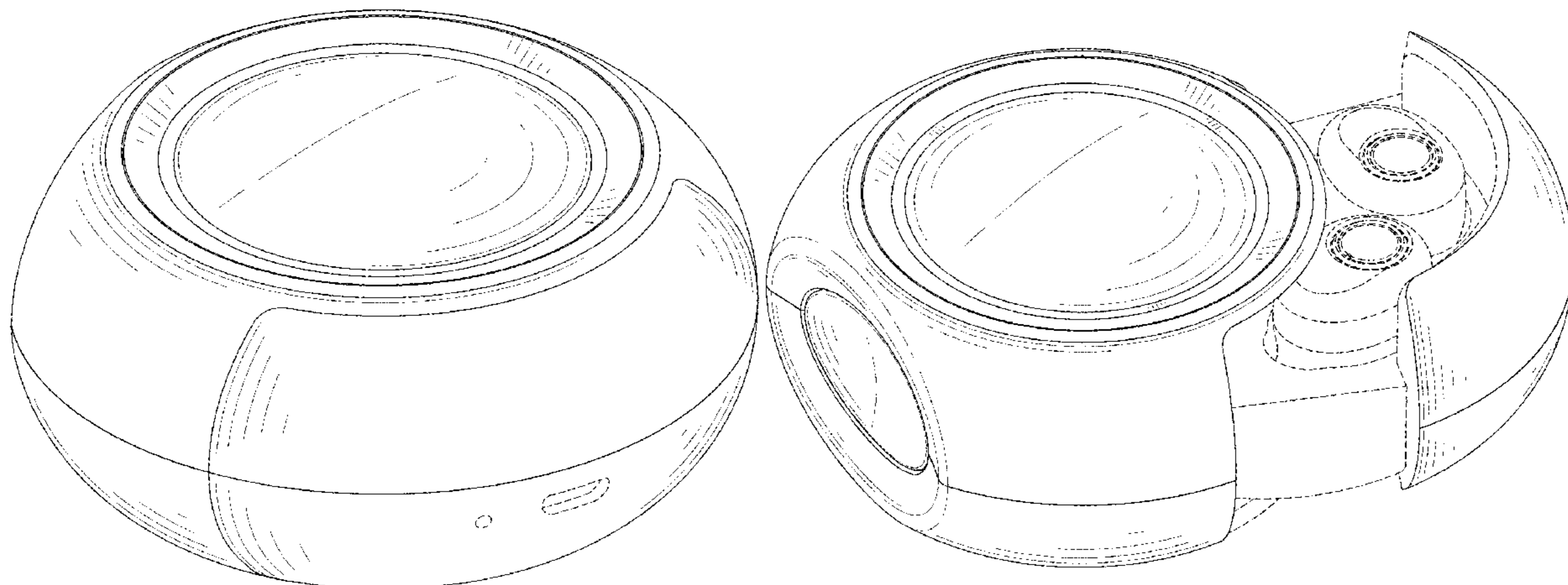
The ornamental design for an earphone case, as shown and described.

**DESCRIPTION**

FIG. 1 is a perspective view of an earphone case showing my new design with a door in a closed state;  
FIG. 2 is another perspective view of the earphone case with the door in a closed state;  
FIG. 3 is a front elevational view thereof;  
FIG. 4 is a rear elevational view thereof;  
FIG. 5 is a left side elevational view thereof;  
FIG. 6 is a right side elevational view thereof;  
FIG. 7 is a top plan view thereof;  
FIG. 8 is a bottom plan view thereof; and,  
FIG. 9 is another perspective view of the earphone case with the door in an open state.

The broken lines in the drawings are for the purpose of illustrating portions of the earphone case that form no part of the claimed design.

**1 Claim, 9 Drawing Sheets**



(56)

References Cited

U.S. PATENT DOCUMENTS

D596,561 S *	7/2009	Chon	D13/108	D855,567 S *	8/2019	Cai	D13/108
D620,256 S *	7/2010	Fujimura	D3/294	D856,800 S *	8/2019	Mayer	D9/428
D685,527 S *	7/2013	Eberlein	D28/82	D862,418 S *	10/2019	Distefano	D14/216
D687,009 S *	7/2013	Song	D14/155	D864,488 S *	10/2019	Kaplan	D28/85
D696,190 S *	12/2013	Brandtman	D13/108	D864,930 S *	10/2019	Bould	D14/240
D722,404 S *	2/2015	Son	D28/82	D864,961 S *	10/2019	Sakaguchi	D14/388
D724,786 S *	3/2015	Jung	D28/82	D865,663 S *	11/2019	Yao	D13/108
D742,070 S *	10/2015	Park	D28/82	D866,354 S *	11/2019	Harder	D10/41
D746,058 S *	12/2015	Serell	D3/203.1	D868,992 S *	12/2019	Ma	D24/217
D773,437 S *	12/2016	Lee	D14/223	D871,069 S *	12/2019	Carlson	D3/294
D806,711 S *	1/2018	Sakaguchi	D14/388	D876,834 S *	3/2020	Breen	D3/298
D812,559 S *	3/2018	Xu	D13/107	D879,298 S *	3/2020	Byung	D24/165
10,117,485 B2 *	11/2018	Solland	B65H 75/4465	D881,572 S *	4/2020	Wang	D3/294
D839,189 S *	1/2019	Miller	D13/108	D882,807 S *	4/2020	Xiong	D24/214
D846,195 S *	4/2019	Kang	D28/82	D884,614 S *	5/2020	Natsume	D13/108
D848,405 S *	5/2019	Bould	D14/240	D884,677 S *	5/2020	Feng	D14/216
D850,103 S *	6/2019	Natsume	D3/263	D886,454 S *	6/2020	Williamson	D3/294
D851,035 S *	6/2019	Hong	D13/108	D886,455 S *	6/2020	Williamson	D3/294
D851,913 S *	6/2019	Yu	D3/201	D887,351 S *	6/2020	Bonahoom	D13/108
D853,835 S *	7/2019	Ang	D9/420	D888,664 S *	6/2020	Ma	D13/108
				D890,696 S *	7/2020	Sweet	D13/108
				D891,366 S *	7/2020	Xie	D13/108
				D892,045 S *	8/2020	Zhang	D13/108

\* cited by examiner

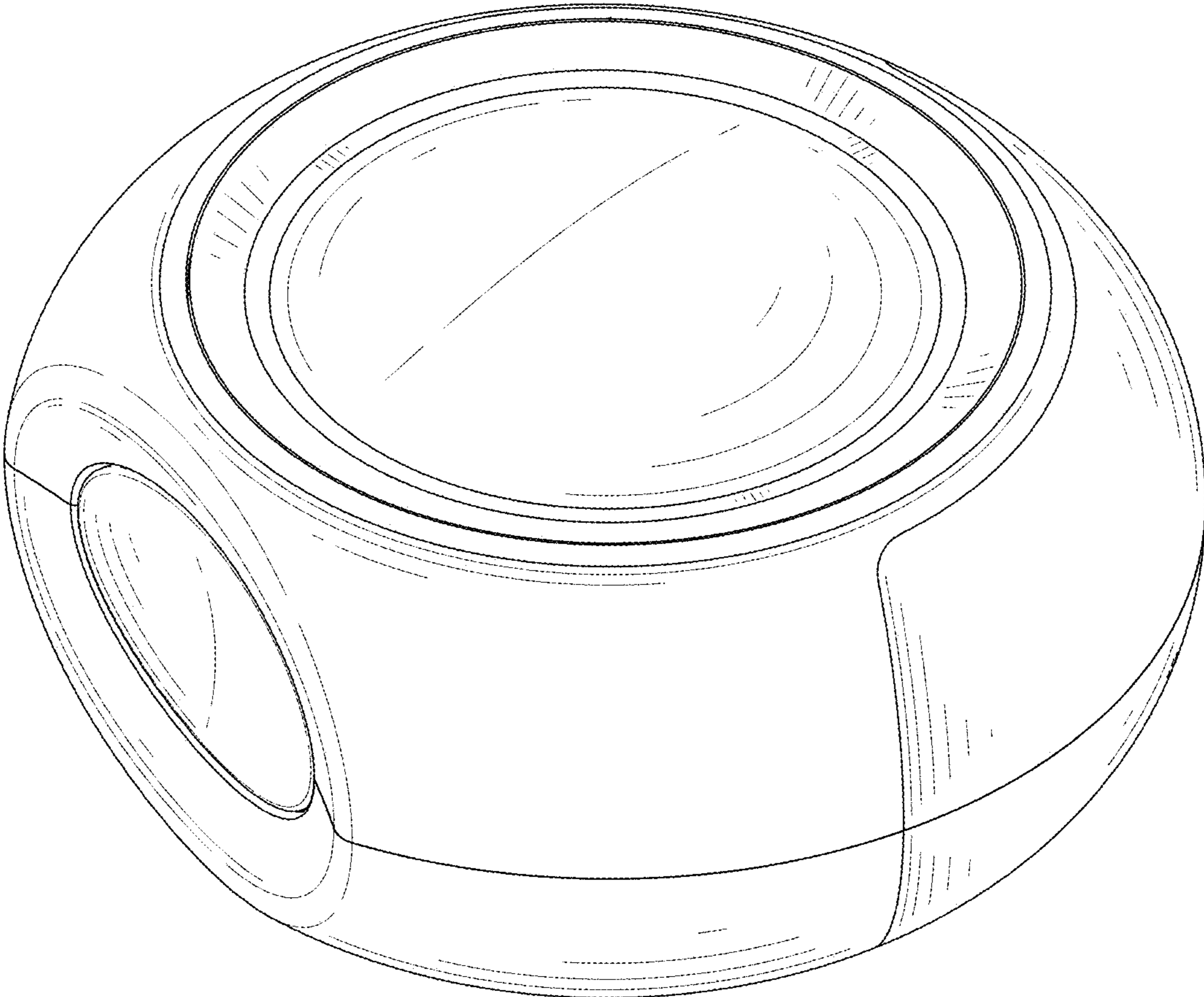


FIG. 1

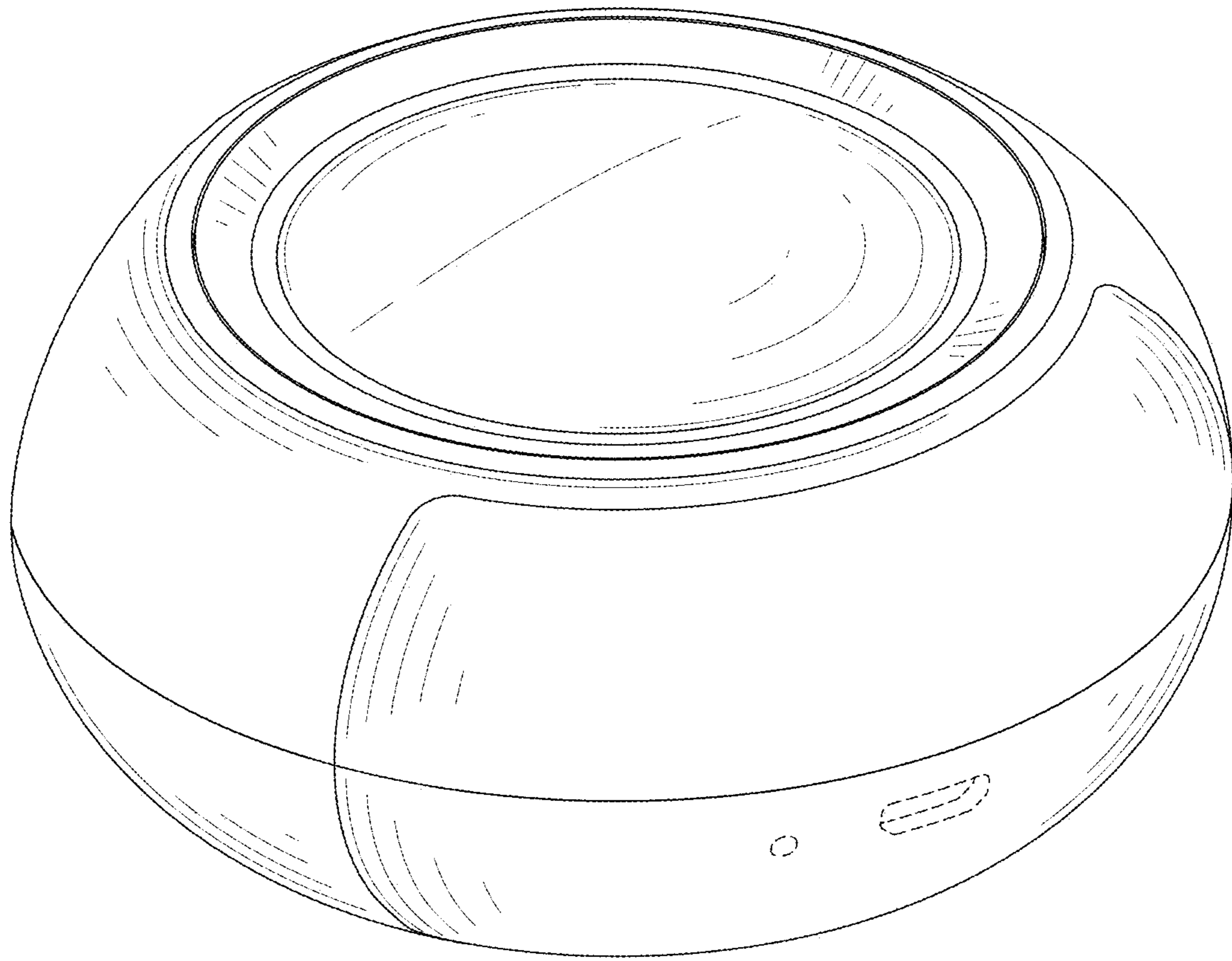


FIG. 2

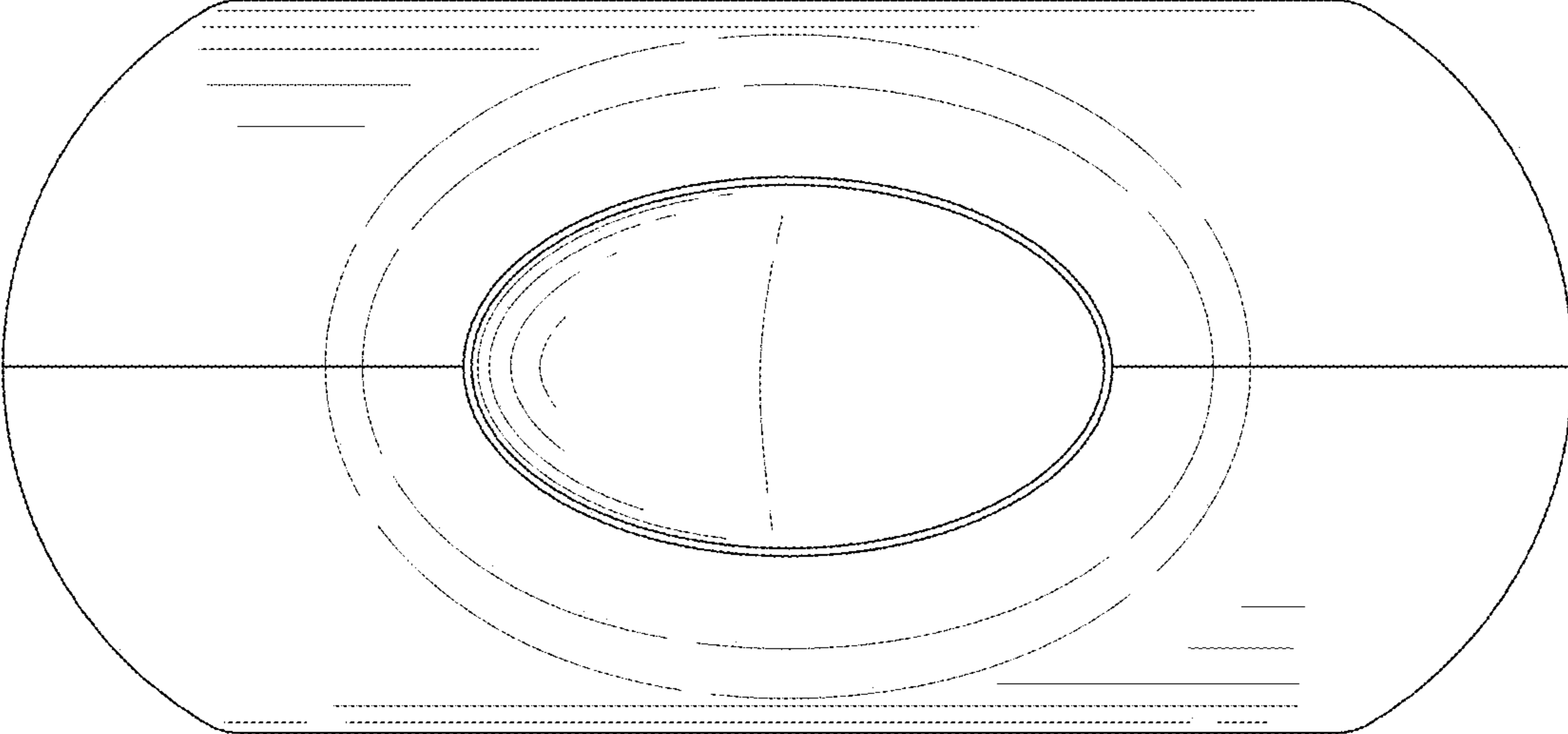


FIG. 3

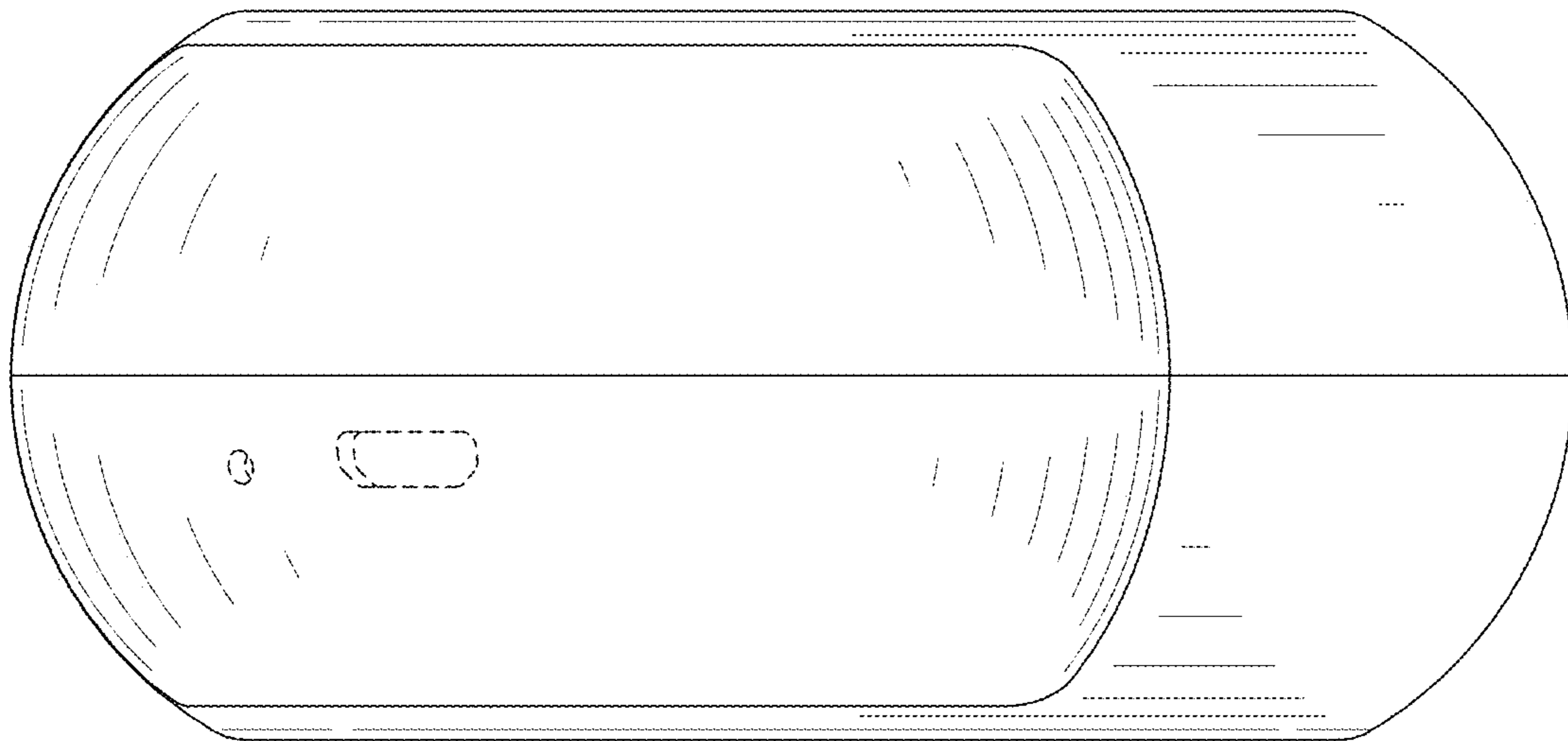


FIG. 4

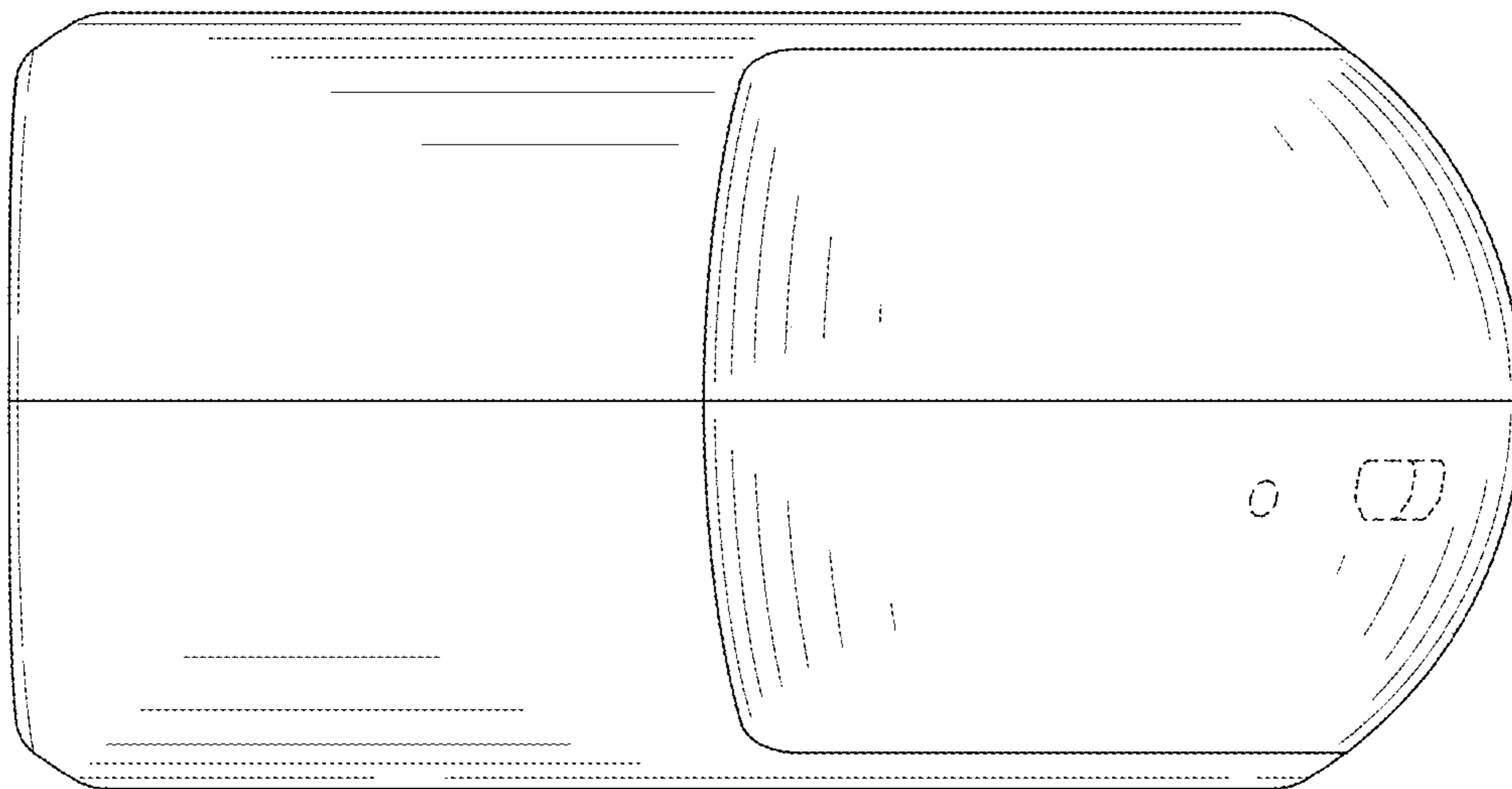


FIG. 5

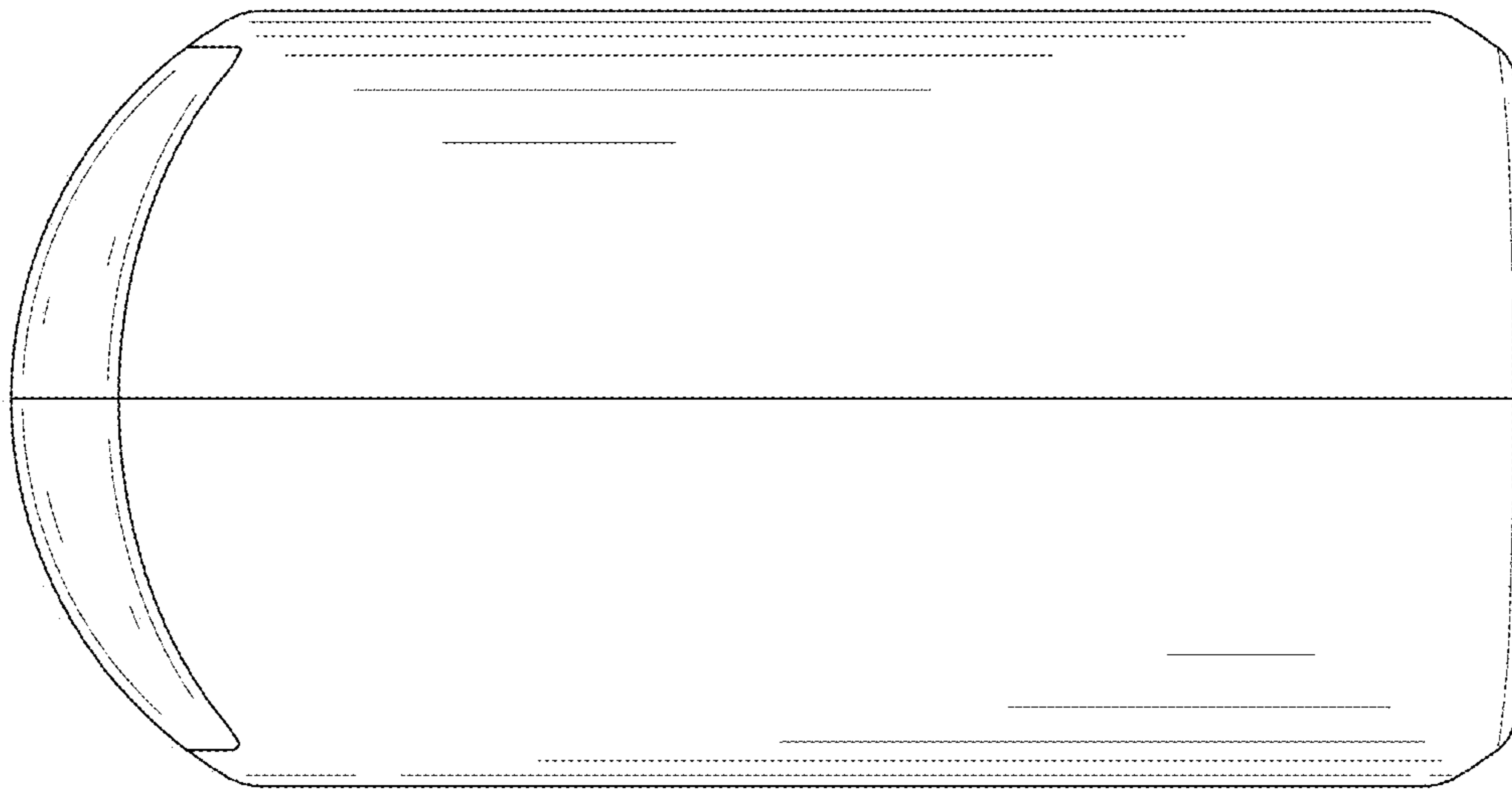


FIG. 6



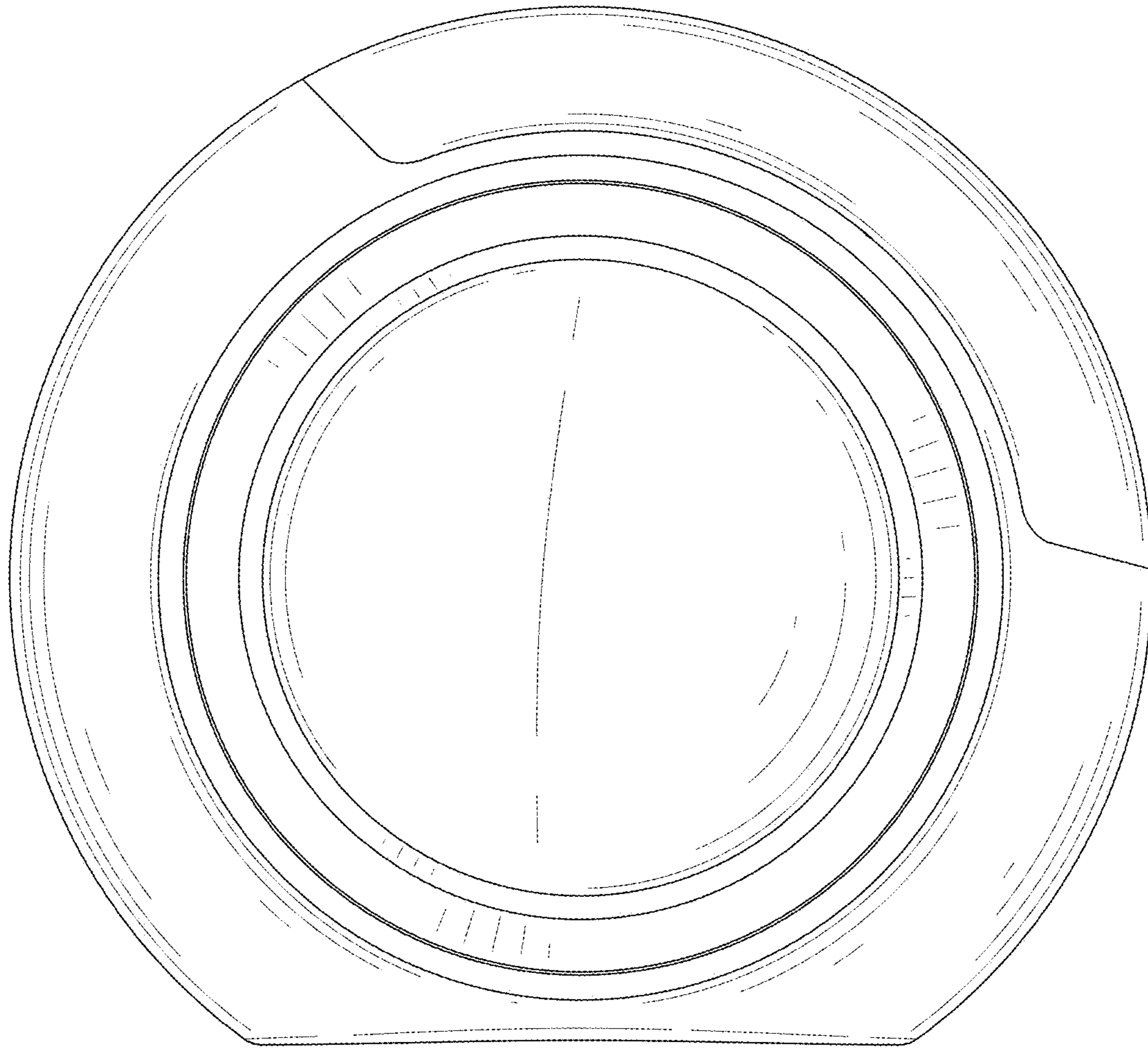


FIG. 7

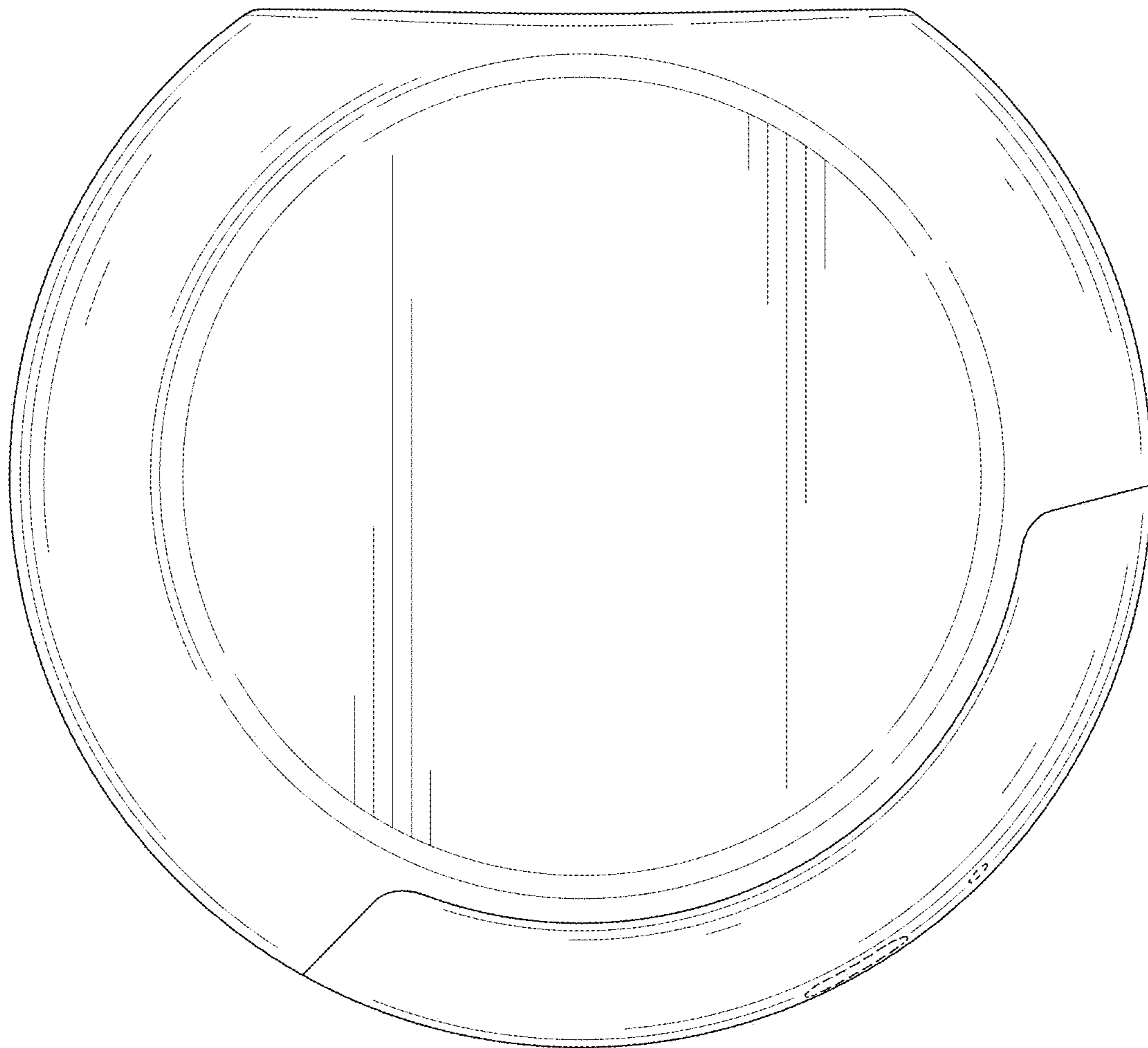


FIG. 8

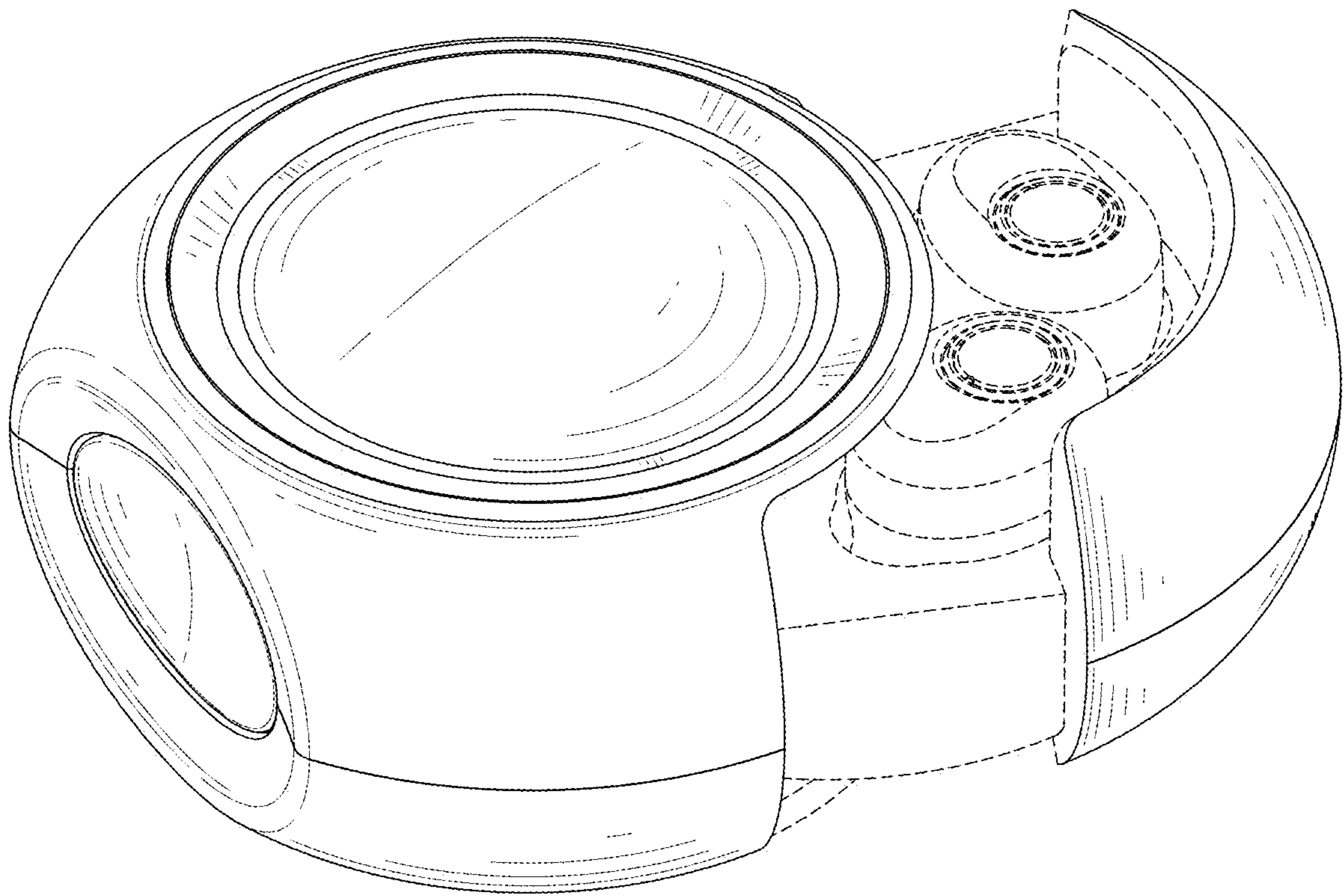


FIG. 9