



US00D899083S

(12) **United States Design Patent** (10) **Patent No.:** **US D899,083 S**  
**Rubio et al.** (45) **Date of Patent:** **\*\* \*Oct. 20, 2020**

(54) **LUGGAGE**

D801,047 S \* 10/2017 Bhatnagar ..... D3/279  
D804,174 S \* 12/2017 Morszeck ..... D3/279  
D804,818 S \* 12/2017 Sadler ..... D3/279

(71) Applicant: **JRSK, Inc.**, New York, NY (US)

(Continued)

(72) Inventors: **Jennifer Rubio**, New York, NY (US);  
**Stephanie Korey**, New York, NY (US);  
**Sam Naparstek**, New York, NY (US);  
**Celia Madeleine Lewis**, Brooklyn, NY (US)

**OTHER PUBLICATIONS**

Red Clay Soul Blog, "RCS Review: Away Luggage Carry On",  
Posted Nov. 12, 2016. (<http://www.redclaysoul.com/rcs-review-away-luggage-carry-on/>) (Year: 2016).\*

(Continued)

(73) Assignee: **JRSK, Inc.**, New York, NY (US)

*Primary Examiner* — April Rivas

(\*) Notice: This patent is subject to a terminal disclaimer.

(74) *Attorney, Agent, or Firm* — Proskauer Rose LLP

(\*\*) Term: **15 Years**

(57) **CLAIM**

The ornamental design for a luggage, substantially as shown and described.

(21) Appl. No.: **29/640,616**

**DESCRIPTION**

(22) Filed: **Mar. 15, 2018**

(51) **LOC (12) Cl.** ..... **03-01**

(52) **U.S. Cl.**  
USPC ..... **D3/279**

(58) **Field of Classification Search**  
USPC ..... D3/272, 273, 276, 279, 289, 318, 321,  
D3/322, 328

CPC .... A45C 5/00; A45C 5/03; A45C 5/04; A45C  
2009/005; A45C 13/262; A45C 13/28

See application file for complete search history.

FIG. 1 shows a perspective view of a design of a luggage with its handle in a retracted configuration.

FIG. 2 shows a front view of the design.

FIG. 3 shows a rear view of the design.

FIG. 4 shows a right side view of the design.

FIG. 5 shows a left side view of the design.

FIG. 6 shows a top view of the design.

FIG. 7 shows a bottom view of the design.

FIG. 8 shows a right side view and a partial interior view of the design in a partially open configuration and with the handle in a protracted configuration.

FIG. 9 shows a front interior view of the design in an open configuration showing a laundry bag of the design in a deployed configuration; and,

FIG. 10 shows a front interior view of the design in an open configuration showing a compression pad exposed and the laundry bag of the design in a stored configuration.

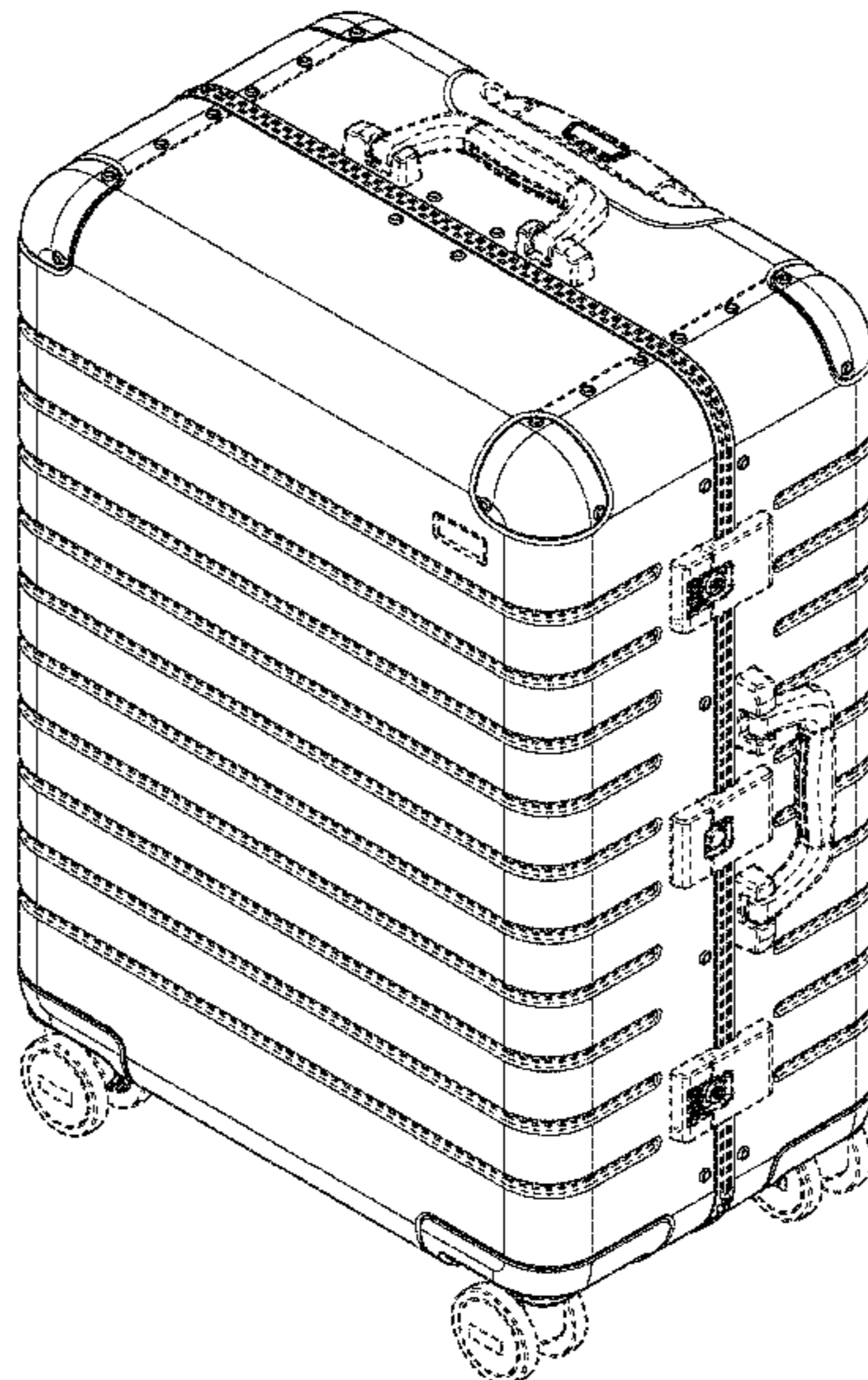
The broken lines shown in the drawings represent unclaimed portions of the luggage and form no part of the claimed design.

(56) **References Cited**

**U.S. PATENT DOCUMENTS**

D623,856 S \* 9/2010 Pezzini ..... D3/279  
D644,435 S \* 9/2011 Weng ..... D3/279  
D714,056 S \* 9/2014 Weng ..... D3/279  
D725,907 S \* 4/2015 Yu ..... D3/279  
D740,557 S \* 10/2015 Liao ..... D3/279  
D740,558 S \* 10/2015 Liao ..... D3/279  
D784,016 S \* 4/2017 Morszeck ..... D3/279  
D791,477 S \* 7/2017 Liu ..... D3/279  
D796,199 S \* 9/2017 Law ..... D3/279

**1 Claim, 10 Drawing Sheets**



(56)

**References Cited**

U.S. PATENT DOCUMENTS

D805,772 S \* 12/2017 Oshima ..... D3/279  
D810,434 S \* 2/2018 Xu ..... D3/279  
D824,169 S \* 7/2018 Guo ..... D3/279

OTHER PUBLICATIONS

Youtube, “Away Luggage Review”, uploaded on Sep. 12, 2016 by user Luggage Council. (<https://www.youtube.com/watch?v=xBHDhk0BruY>) (Year: 2016).\*

Pace Public Relations, “Pace Public Relations Announces New Lifestyle Client: Away Travel”, Posted on Jul. 21, 2016. (<http://www.pacepublicrelations.com/pressrelease/pace-public-relations-announces-new-lifestyle-client-away-travel/>) (Year: 2016).\*

“Xiaomi 20-inch Metal Travel Suitcase Universal Wheel—Silver”, 16 pages. [Available at least as early as Oct. 24, 2017.] Retrieved from the Internet <[https://www.gearbest.com/luggage-travel-bags/pp\\_1001667.html?wid=1433363&currency=USD&vip=4264393&gclid=CjwKCAjwr8zoBRA0EiwANmvpYCsTuQh7DABw5bTmob3vnsWISLl2lqyHj2-Lpiz9j5PEWP96gFGcKR0CHZUQAvD\\_BwE](https://www.gearbest.com/luggage-travel-bags/pp_1001667.html?wid=1433363&currency=USD&vip=4264393&gclid=CjwKCAjwr8zoBRA0EiwANmvpYCsTuQh7DABw5bTmob3vnsWISLl2lqyHj2-Lpiz9j5PEWP96gFGcKR0CHZUQAvD_BwE)>.

\* cited by examiner

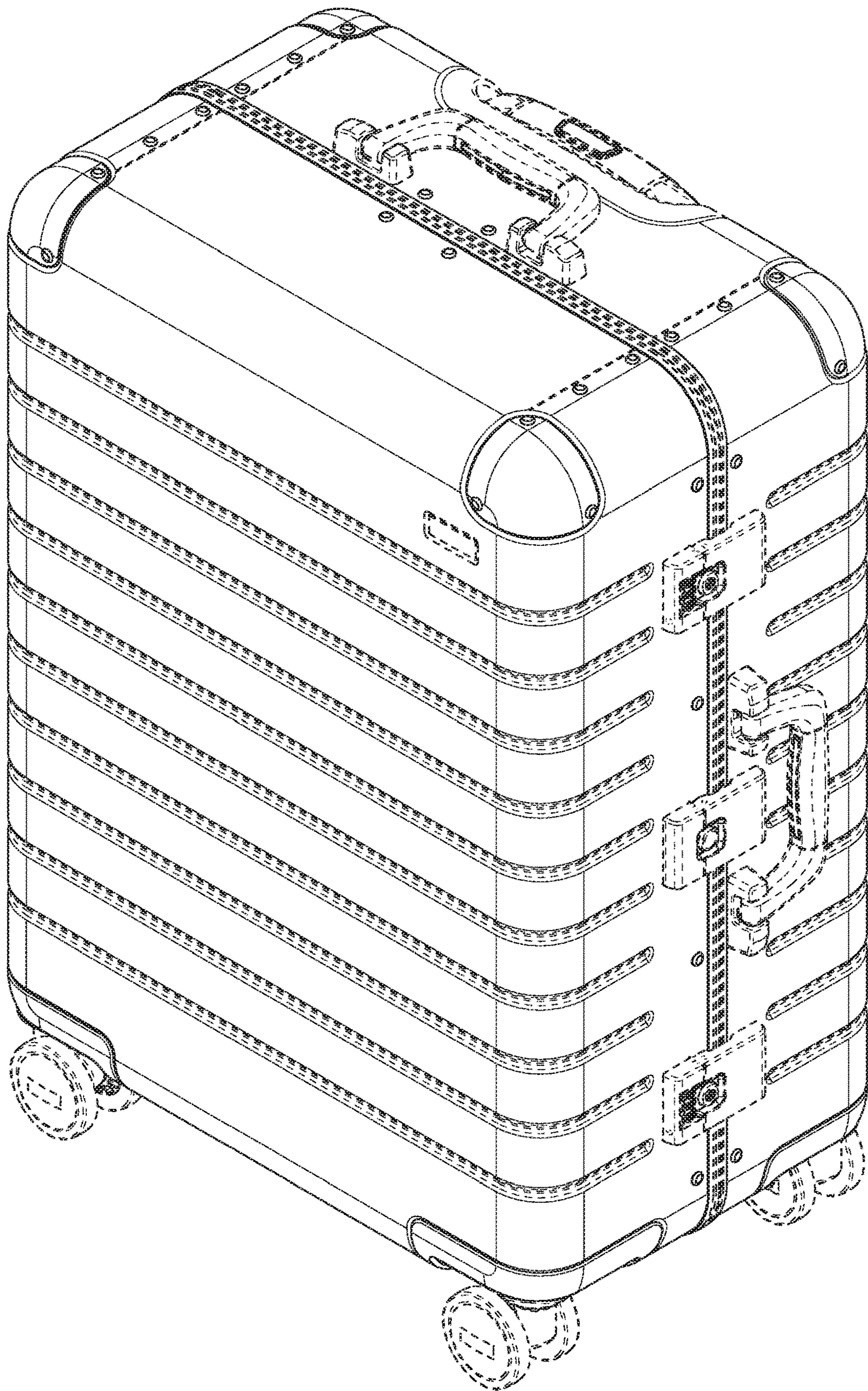


FIG. 1

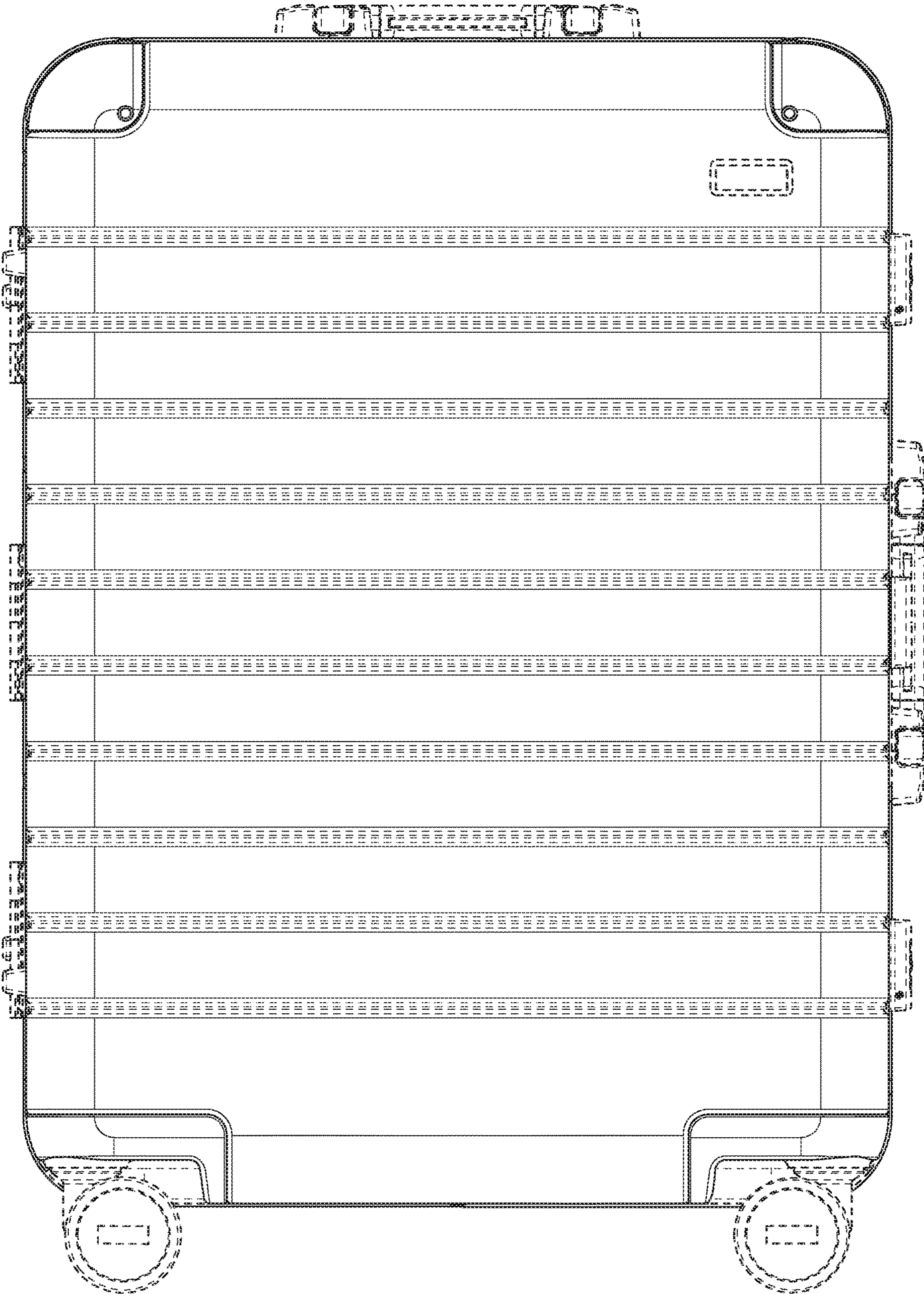


FIG. 2

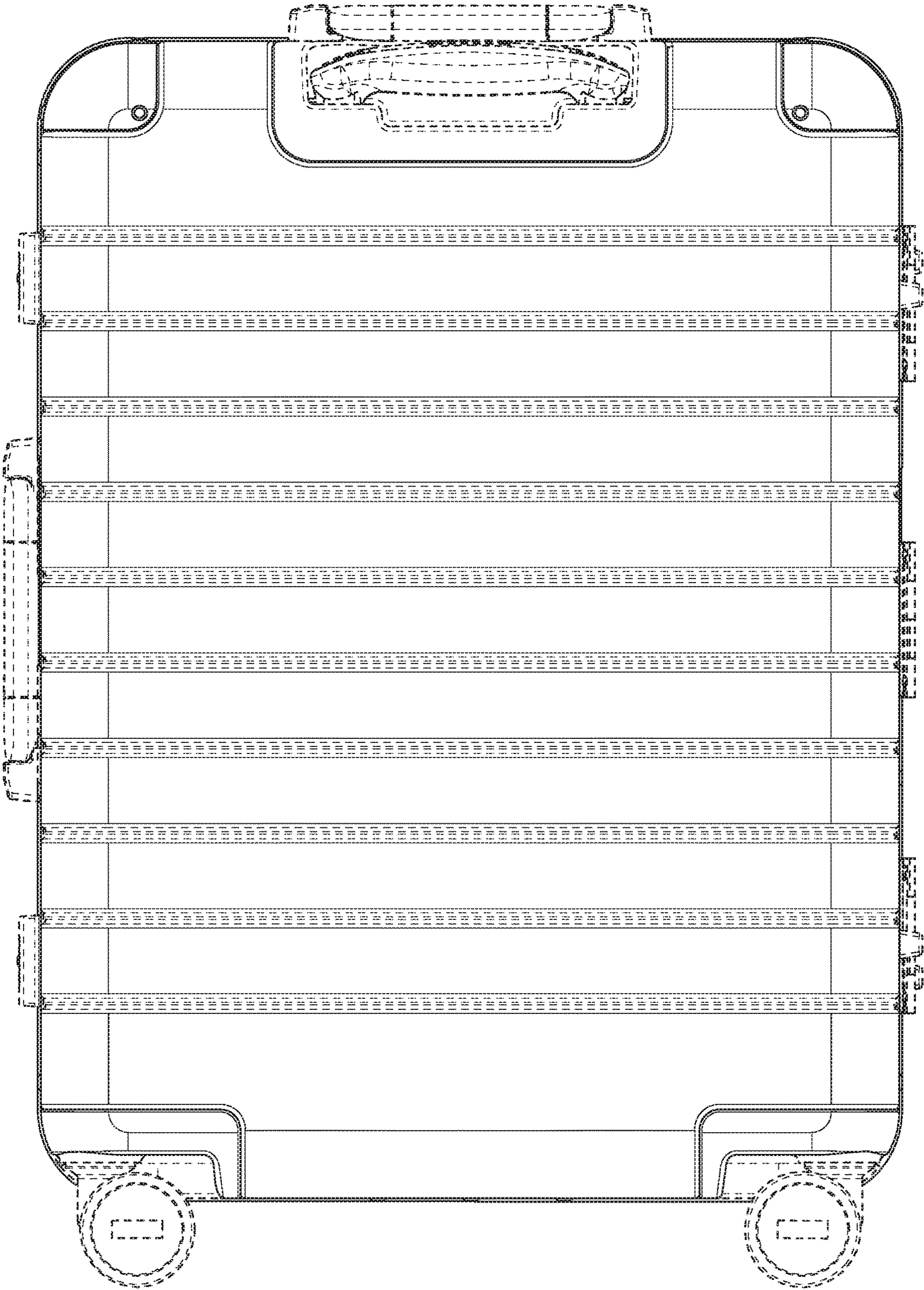


FIG. 3

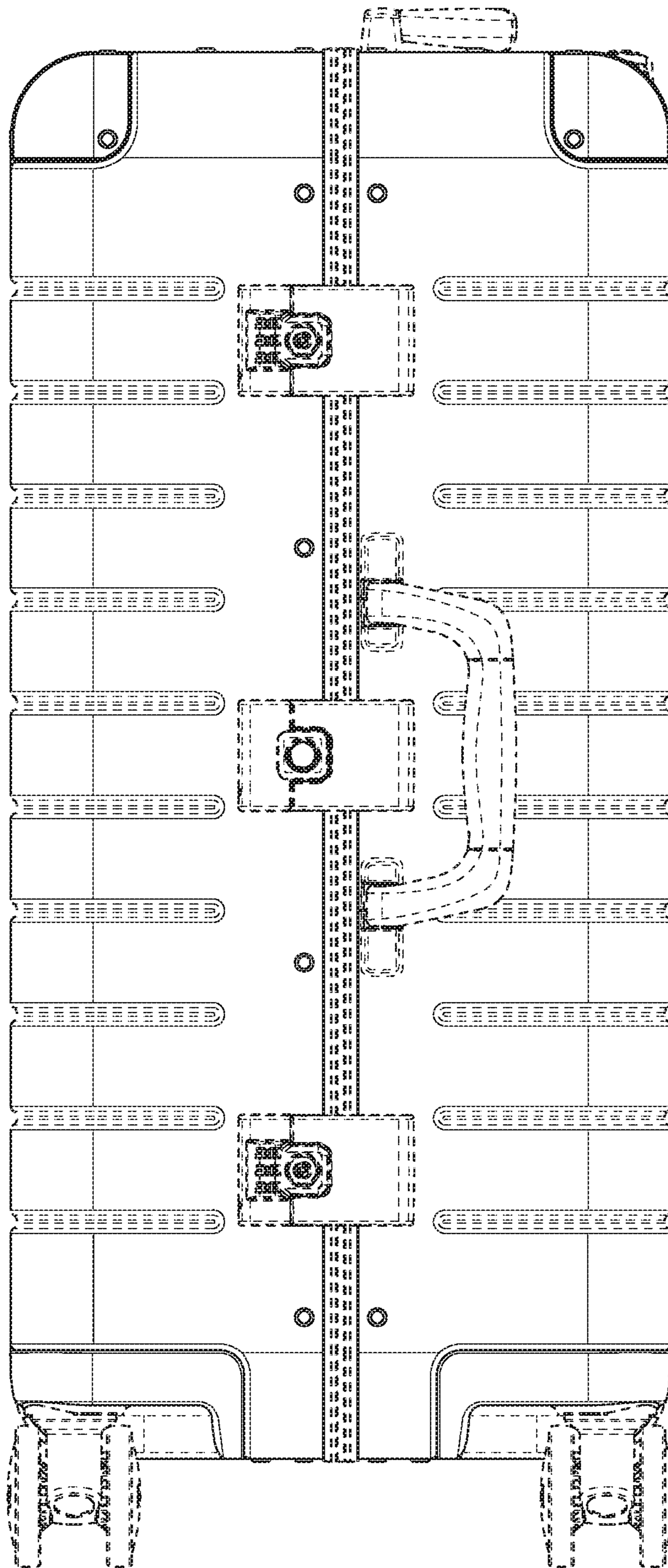


FIG. 4

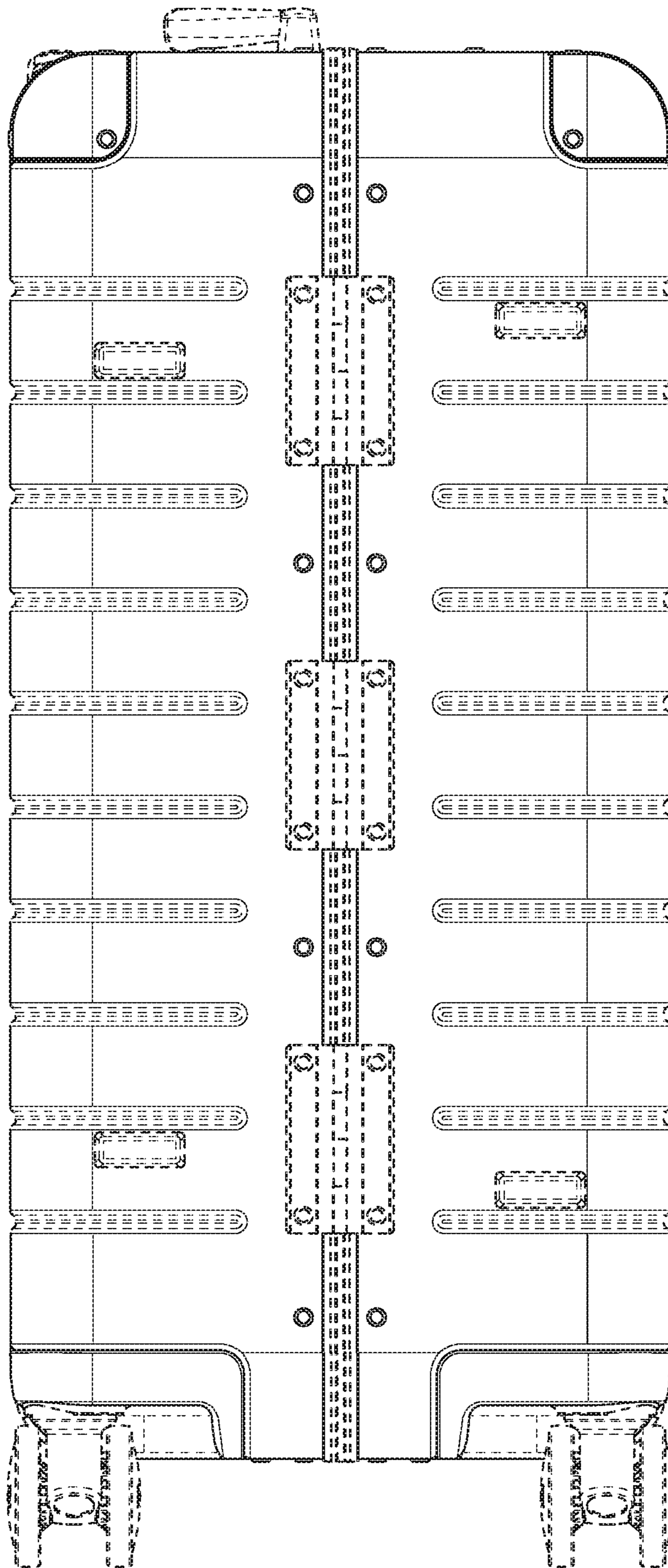


FIG. 5

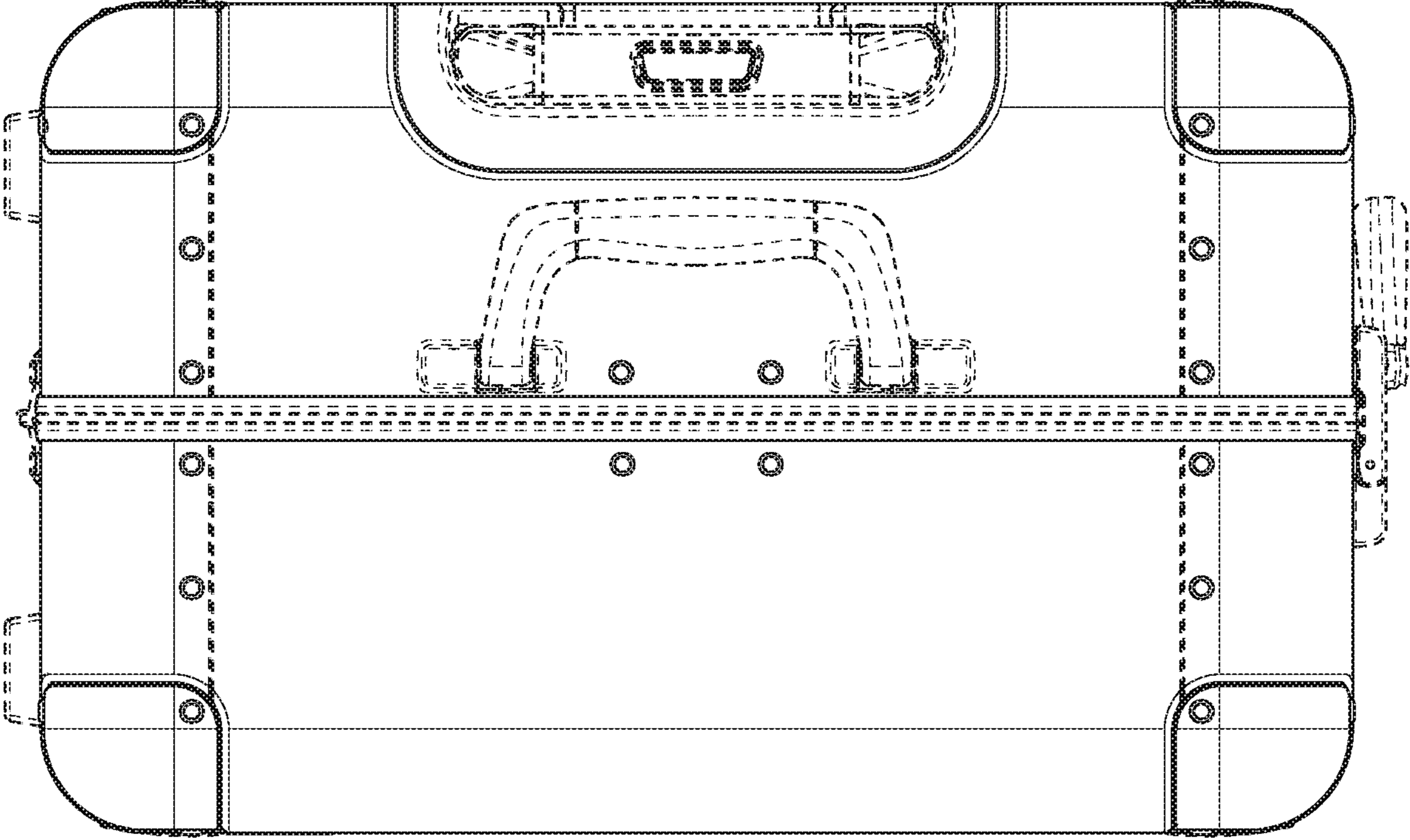


FIG. 6



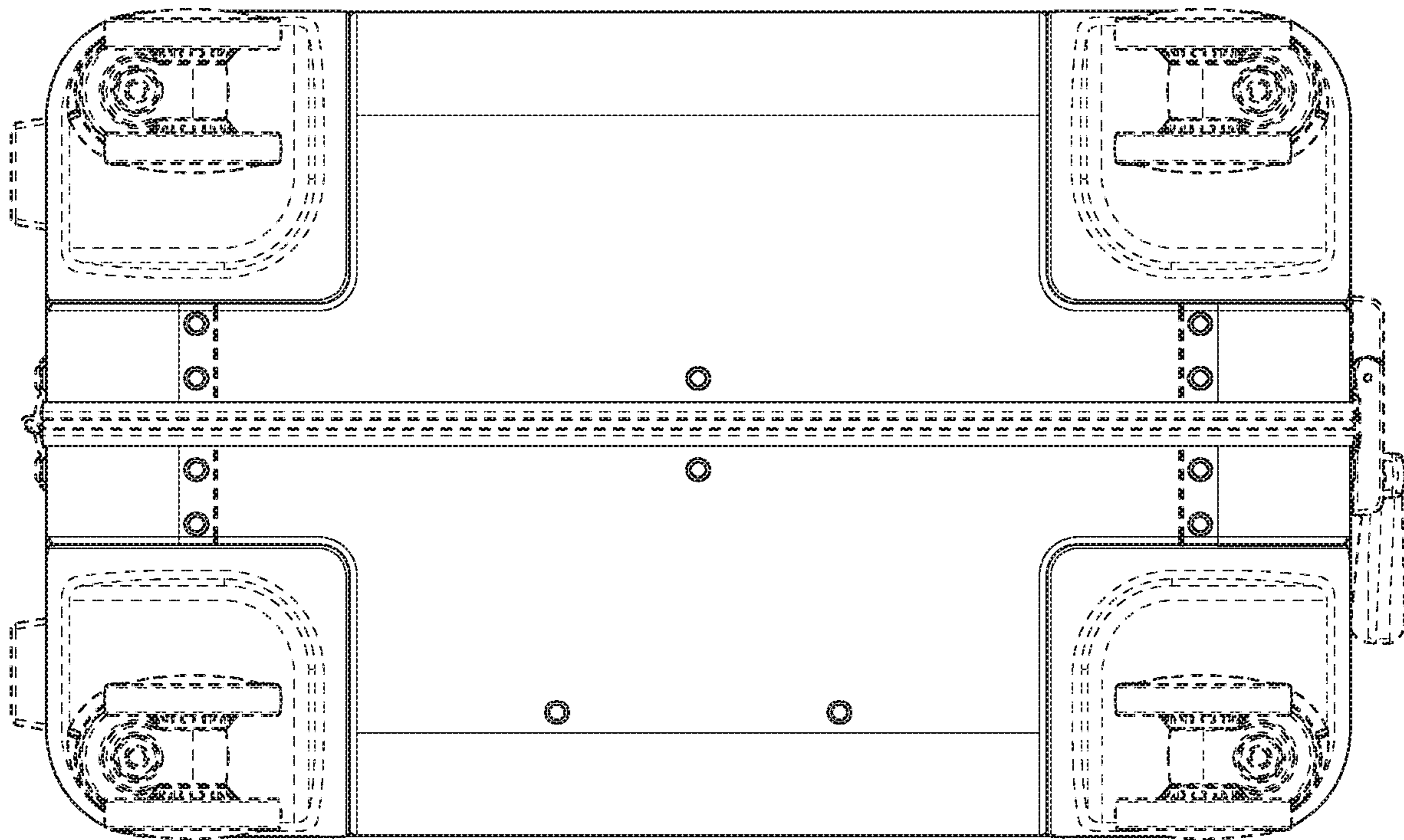


FIG. 7

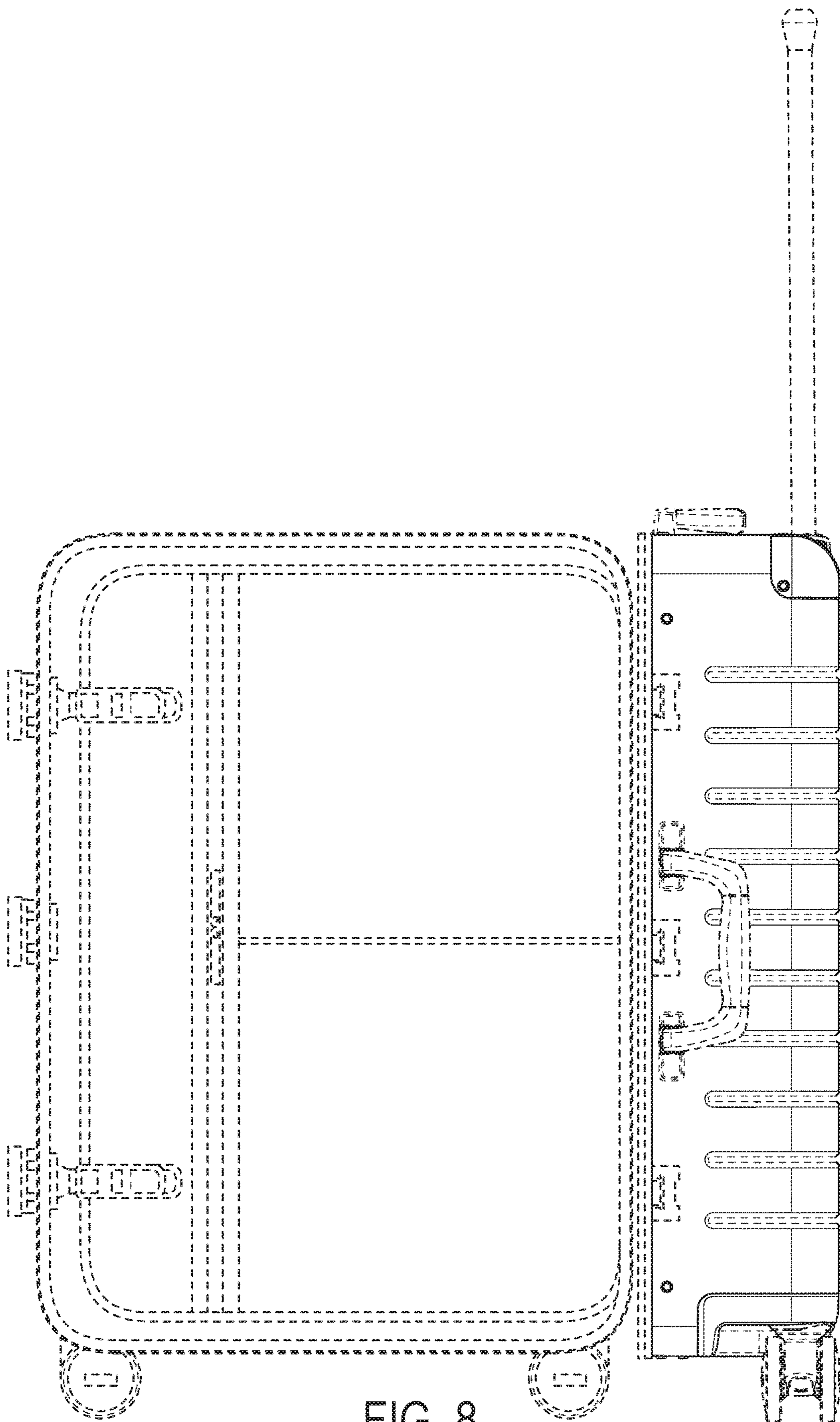


FIG. 8

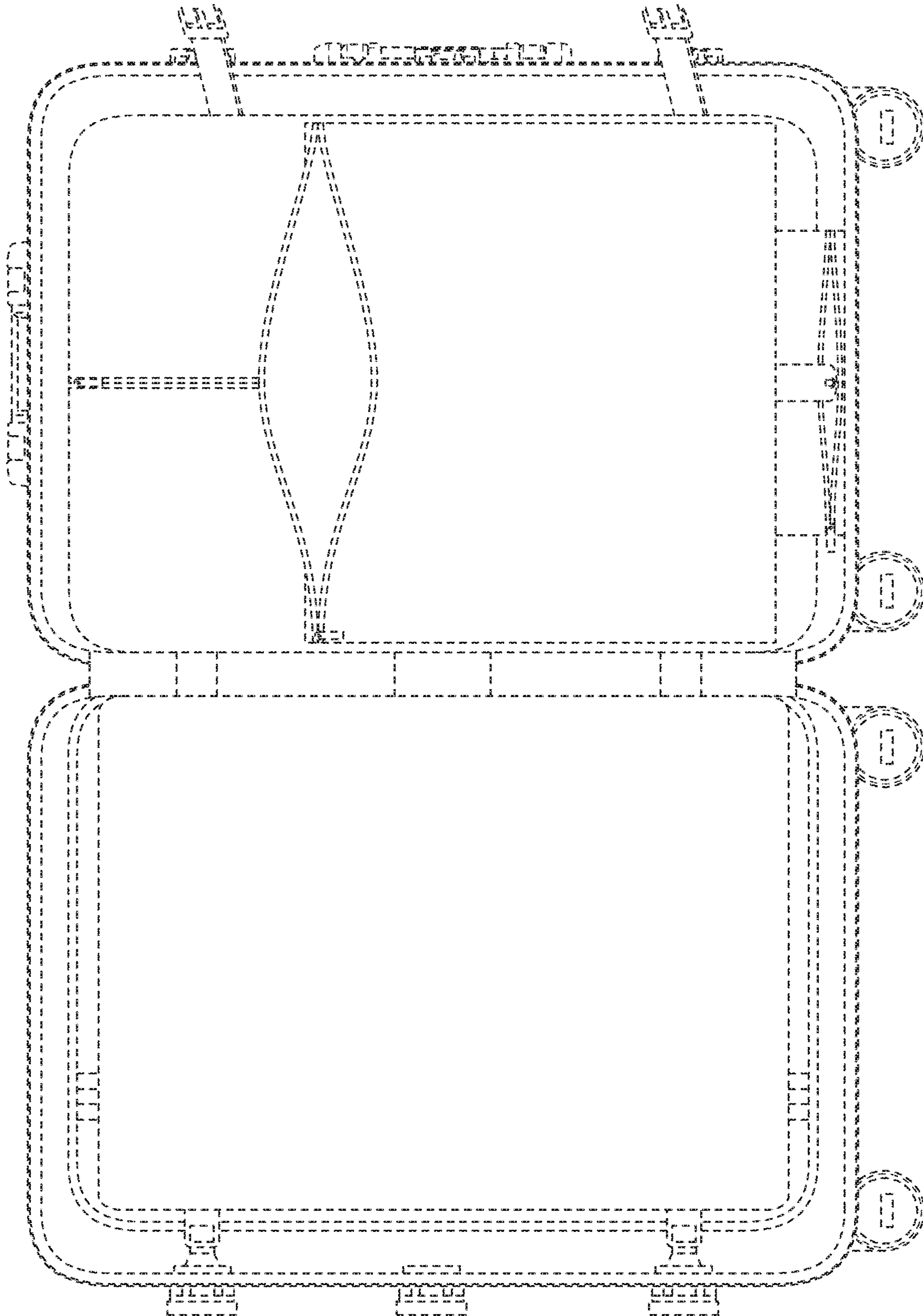


FIG. 9

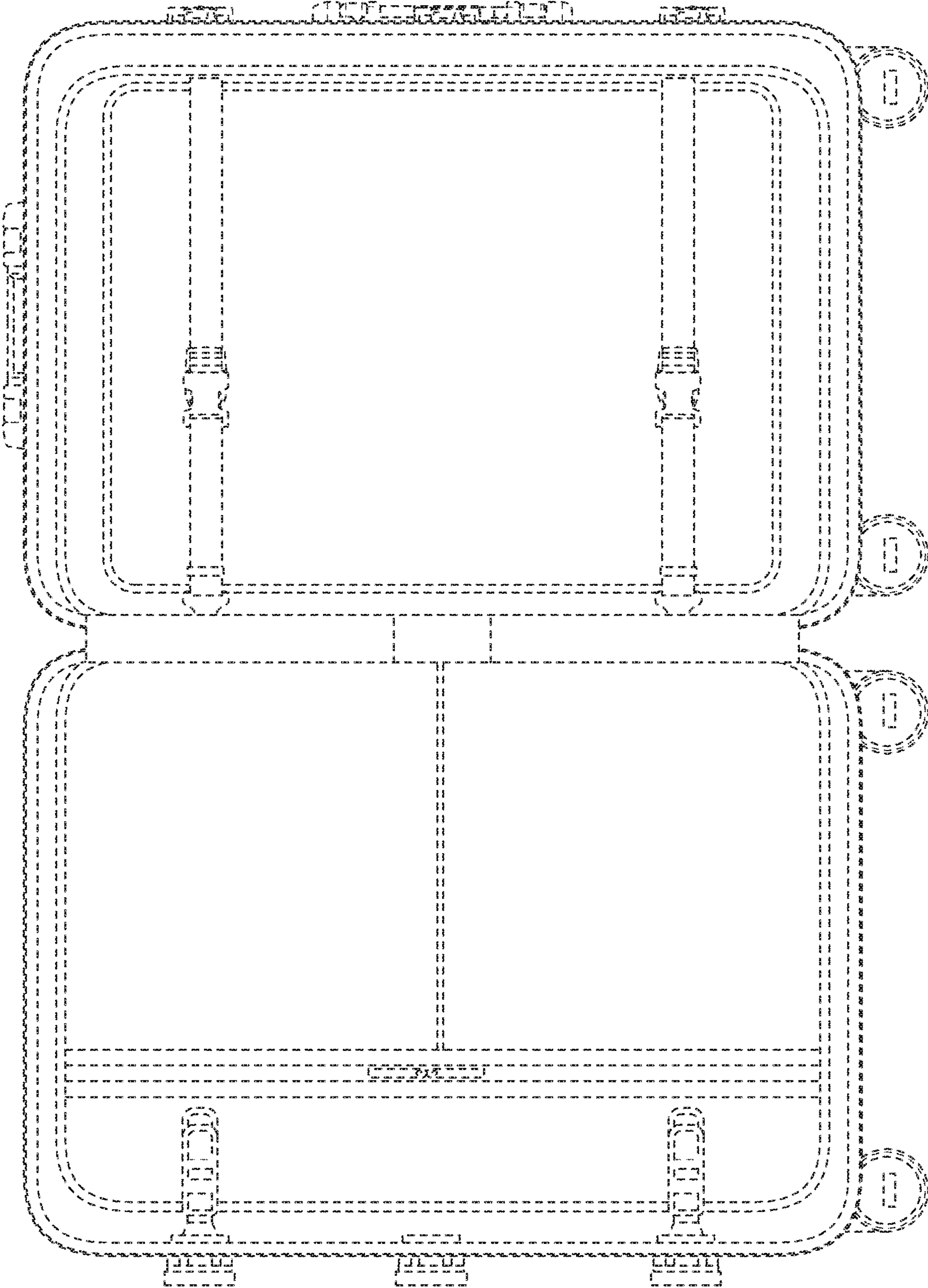


FIG. 10