



US00D899082S

(12) **United States Design Patent**  
**Rodriguez**

(10) **Patent No.:** **US D899,082 S**

(45) **Date of Patent:** **\*\* Oct. 20, 2020**

(54) **EYEGLASS HOLDER WITH BOTTLE CAP OPENER**

(71) Applicant: **Reinaldo R. Rodriguez**, Orlando, FL (US)

(72) Inventor: **Reinaldo R. Rodriguez**, Orlando, FL (US)

(\*\*) Term: **15 Years**

(21) Appl. No.: **29/720,845**

(22) Filed: **Jan. 16, 2020**

**Related U.S. Application Data**

(63) Continuation-in-part of application No. 29/648,528, filed on May 22, 2018, now Pat. No. Des. 876,832.

(51) **LOC (12) Cl.** ..... **03-01**

(52) **U.S. Cl.**  
USPC ..... **D3/266; D3/265; D8/34**

(58) **Field of Classification Search**  
USPC ..... D3/207, 215, 219, 229, 263–268, 301, D3/211; D12/417; D16/330, 339; 24/3.3, 3.7, 3.8, 563; 206/5, 5.1, 6; 248/902; 351/112, 155; D8/356, 367, D8/371, 18, 33, 34  
CPC ..... A45C 11/04; A45C 11/005; A47F 7/02; A47F 7/021  
See application file for complete search history.

(56) **References Cited**

**U.S. PATENT DOCUMENTS**

- 758,235 A \* 4/1904 Cady ..... B65D 51/243 215/226
- 959,220 A \* 5/1910 Hoeft ..... B65D 51/243 215/226
- D42,070 S \* 12/1911 Vaughan ..... D8/18
- D292,595 S \* 11/1987 Tanaka ..... D12/417

- D296,978 S \* 8/1988 Smith ..... D8/34
- D298,703 S \* 11/1988 Arnold ..... D32/64
- D312,922 S \* 12/1990 Levy ..... D12/191
- 5,046,696 A \* 9/1991 Lee ..... A47F 7/021 248/205.3
- 5,079,808 A \* 1/1992 Brown ..... B42F 1/02 24/499
- 5,137,242 A \* 8/1992 Reath ..... A47F 7/021 248/309.1
- D335,078 S \* 4/1993 Hampshire ..... D32/64
- D378,531 S \* 3/1997 Szikszay ..... D19/65
- D385,415 S \* 10/1997 Turbide ..... D3/207
- 5,842,613 A \* 12/1998 White ..... A45F 5/02 224/250
- 6,206,258 B1 \* 3/2001 Calder ..... B62J 11/00 224/251
- D447,048 S \* 8/2001 Beloff ..... D8/395
- D448,554 S \* 10/2001 Zelman ..... D3/219
- D458,744 S \* 6/2002 Chan ..... D12/417

(Continued)

*Primary Examiner* — T Chase Nelson

(74) *Attorney, Agent, or Firm* — William M. Hobby, II

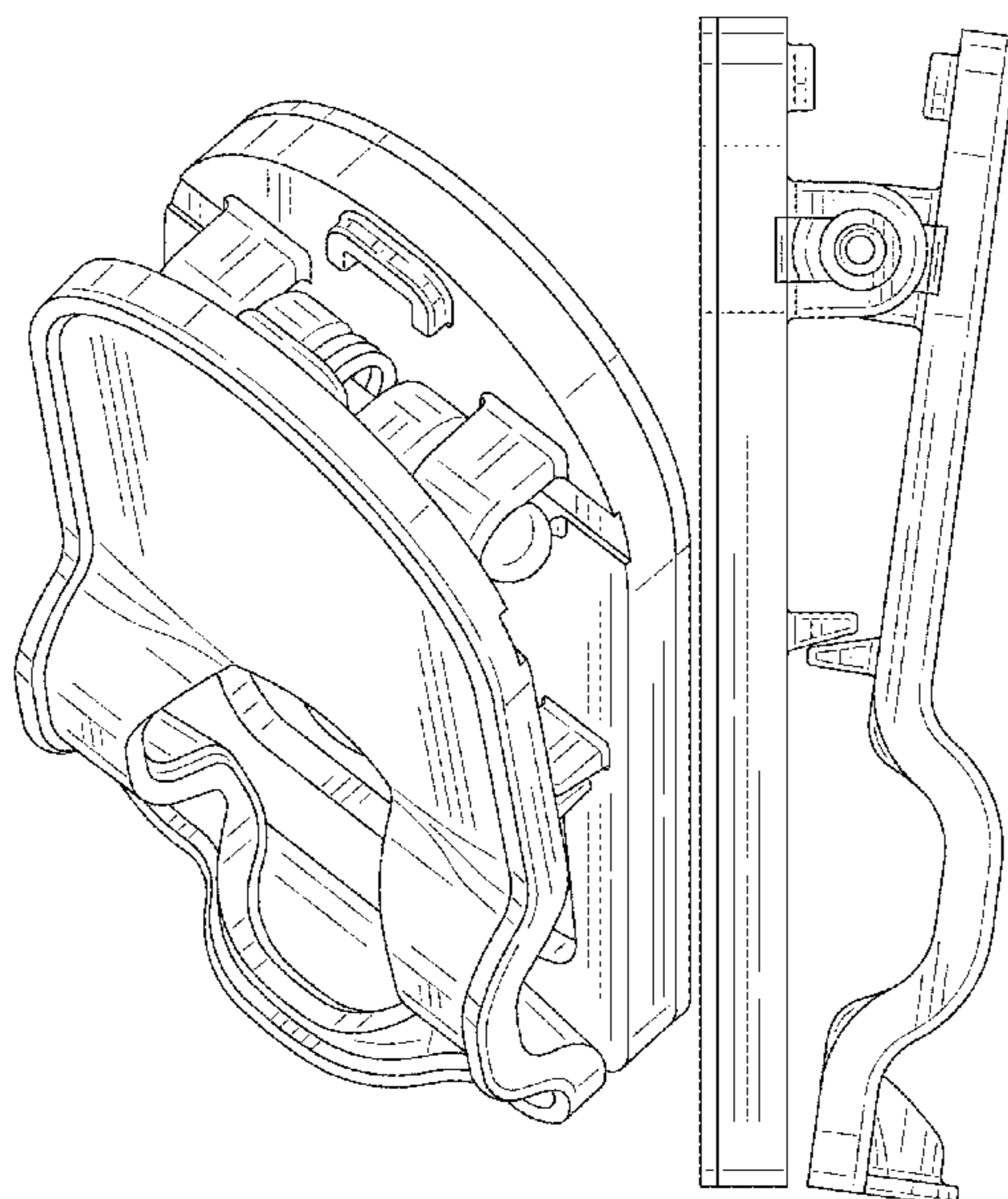
(57) **CLAIM**

The ornamental design for an eyeglass holder with bottle cap opener, as shown and described.

**DESCRIPTION**

FIG. 1 is a front right side perspective view of my new eyeglass holder with bottle cap opener;  
 FIG. 2 is a top plan view thereof;  
 FIG. 3 is a rear left side perspective view thereof;  
 FIG. 4 is a bottom plan view thereof;  
 FIG. 5 is a front plan view thereof;  
 FIG. 6 is a right side elevation thereof;  
 FIG. 7 is a rear plan view thereof;  
 FIG. 8 is a left side elevation thereof;  
 FIG. 9 is a front left side perspective view thereof with open clamp jaws; and,  
 FIG. 10 is a left side elevation thereof with open clamp jaws.

**1 Claim, 6 Drawing Sheets**



(56)

References Cited

U.S. PATENT DOCUMENTS

D464,994 S \* 10/2002 Rosen ..... D19/65  
 D471,709 S \* 3/2003 Coyne ..... D3/263  
 D479,907 S \* 9/2003 Ruiz ..... 24/3.6  
 D487,344 S \* 3/2004 Sieger ..... D3/219  
 D497,183 S \* 10/2004 Chiu ..... D19/65  
 D514,310 S \* 2/2006 Roye ..... D3/207  
 D519,010 S \* 4/2006 Oas ..... D8/34  
 7,200,897 B2 \* 4/2007 Silvestro ..... G02C 3/04  
 24/3.3  
 D557,089 S \* 12/2007 Menard ..... D8/34  
 D565,662 S \* 4/2008 Reardon ..... D19/65  
 7,553,018 B1 \* 6/2009 Riazzi ..... A45F 5/02  
 24/3.3  
 D605,398 S \* 12/2009 Rodriguez ..... D3/219  
 7,850,302 B1 \* 12/2010 Riazzi ..... G02C 3/04  
 351/158  
 D641,153 S \* 7/2011 van den Hurk ..... D3/215  
 D642,374 S \* 8/2011 Morrish ..... D3/210  
 D649,581 S \* 11/2011 Foulger ..... D16/339  
 D652,830 S \* 1/2012 Nazar ..... D14/253  
 D657,551 S \* 4/2012 Lynn ..... D3/215  
 D671,826 S \* 12/2012 Adams, IV ..... D8/395  
 8,381,359 B1 \* 2/2013 McArdle ..... A45F 5/02  
 24/3.12  
 D715,631 S \* 10/2014 Szymanski ..... D8/395  
 D717,541 S \* 11/2014 Forbus ..... D3/266  
 D745,776 S \* 12/2015 Perreault ..... D3/215  
 D756,644 S \* 5/2016 Murphy, Jr. .... D3/266  
 D757,533 S \* 5/2016 Ormsbe ..... G02C 3/04  
 D8/395

D773,801 S \* 12/2016 Baldwin ..... G02C 3/04  
 D3/207  
 D805,298 S \* 12/2017 Shalon ..... A45F 5/02  
 D3/265  
 D805,428 S \* 12/2017 Fulop ..... B62J 11/00  
 D11/218  
 D823,103 S \* 7/2018 Glasscock ..... A47F 7/021  
 D8/395  
 D833,139 S \* 11/2018 Hadden ..... B42F 1/02  
 D3/207  
 D836,337 S \* 12/2018 Stark ..... A47F 7/021  
 D3/266  
 D839,590 S \* 2/2019 Vedder ..... H04M 1/21  
 D3/222  
 D839,592 S \* 2/2019 Balchunas ..... A45F 5/02  
 D3/229  
 D842,060 S \* 3/2019 She ..... A45C 11/16  
 D8/34  
 D864,703 S \* 10/2019 Arlidge ..... G02C 3/04  
 D8/395  
 D876,832 S \* 3/2020 Rodriguez ..... B65D 51/243  
 D3/266  
 D888,411 S \* 6/2020 Roh ..... B65D 51/243  
 D3/215  
 2010/0180406 A1 \* 7/2010 Mor ..... G02C 3/04  
 24/3.3  
 2010/0229348 A1 \* 9/2010 Pike ..... A45C 11/16  
 24/3.7  
 2014/0317886 A1 \* 10/2014 Shwartz ..... H04M 1/21  
 24/3.3  
 2015/0013114 A1 \* 1/2015 Grame ..... A45F 5/02  
 24/3.8

\* cited by examiner

FIG. 1

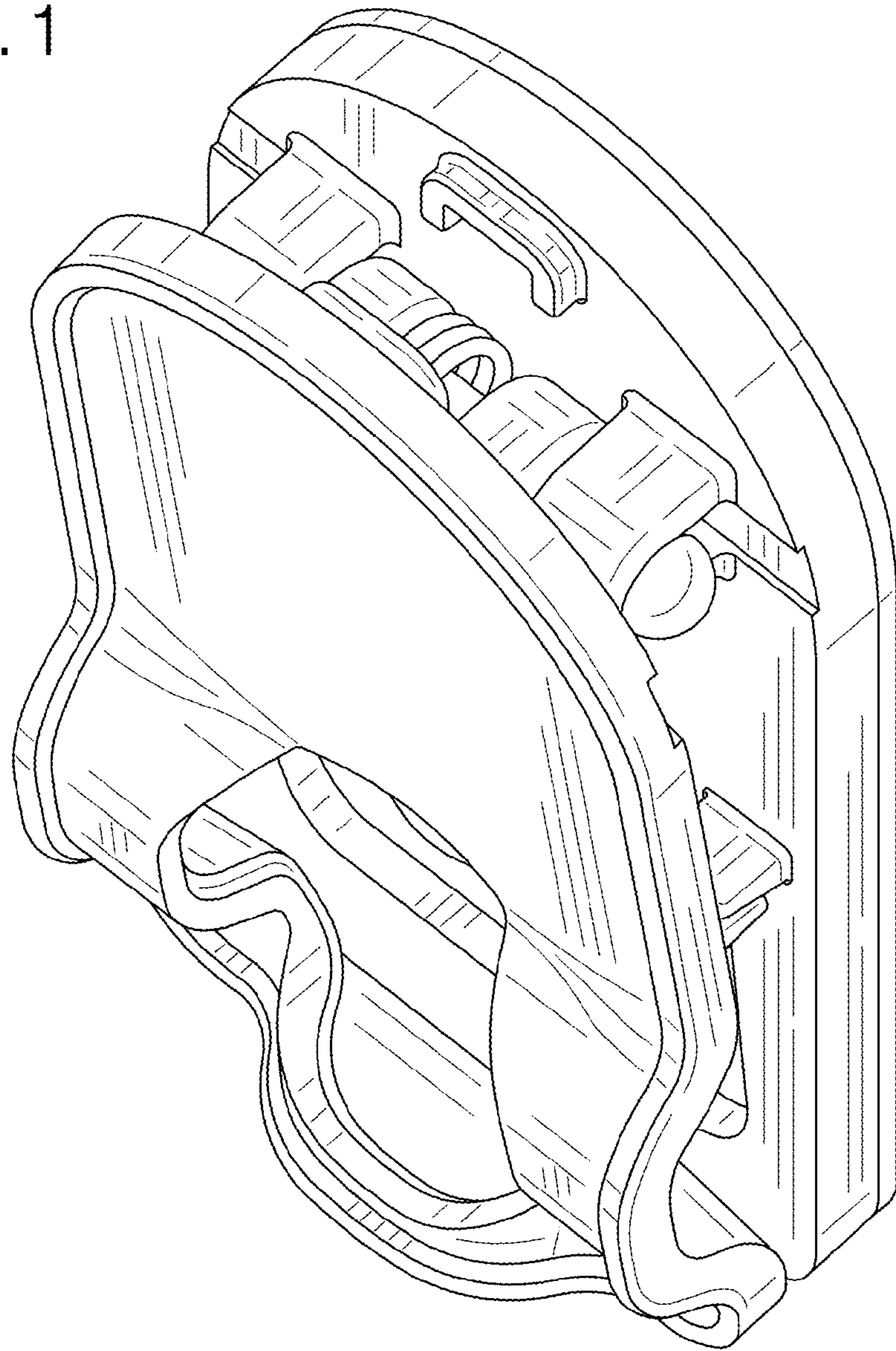


FIG. 2

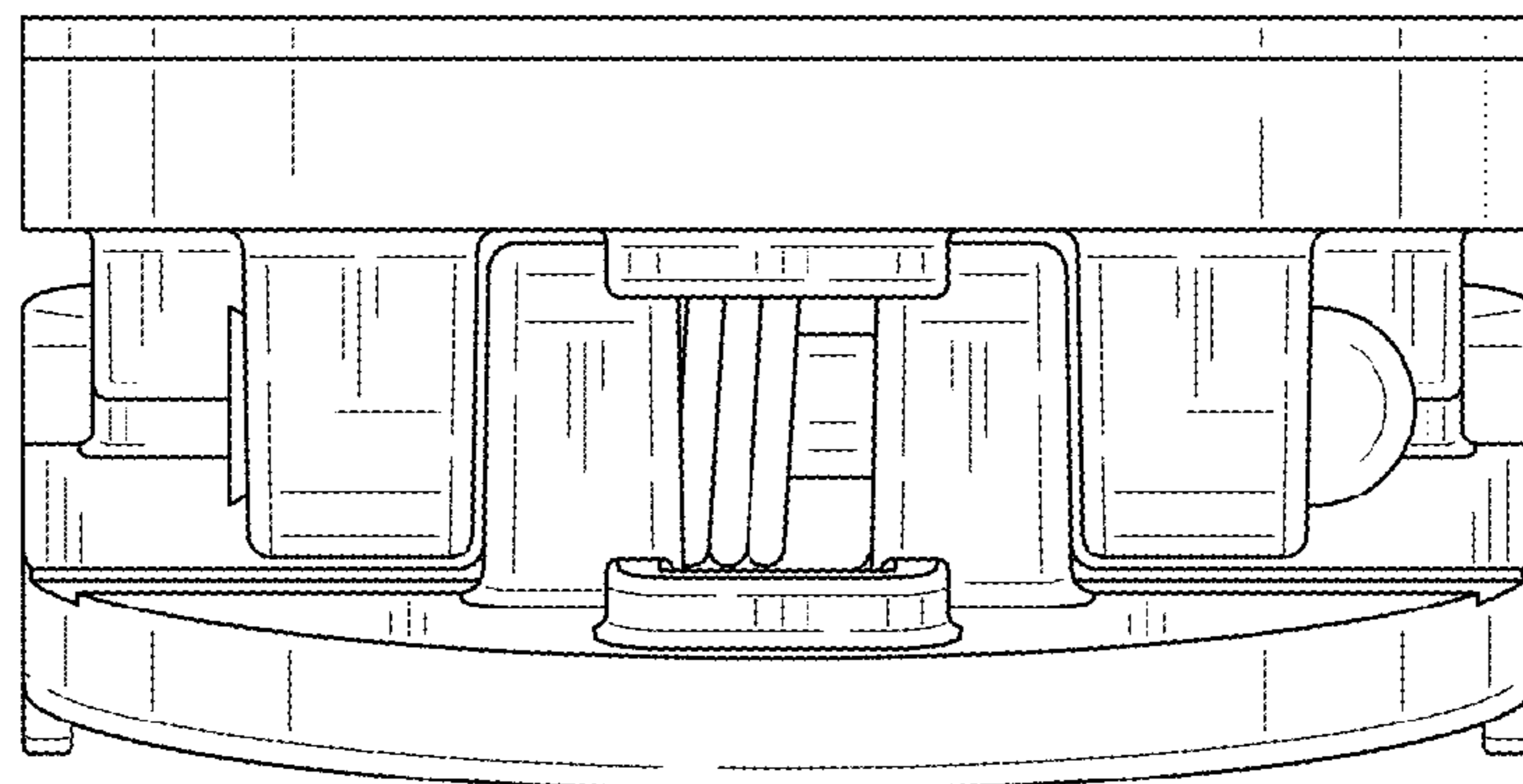


FIG. 3

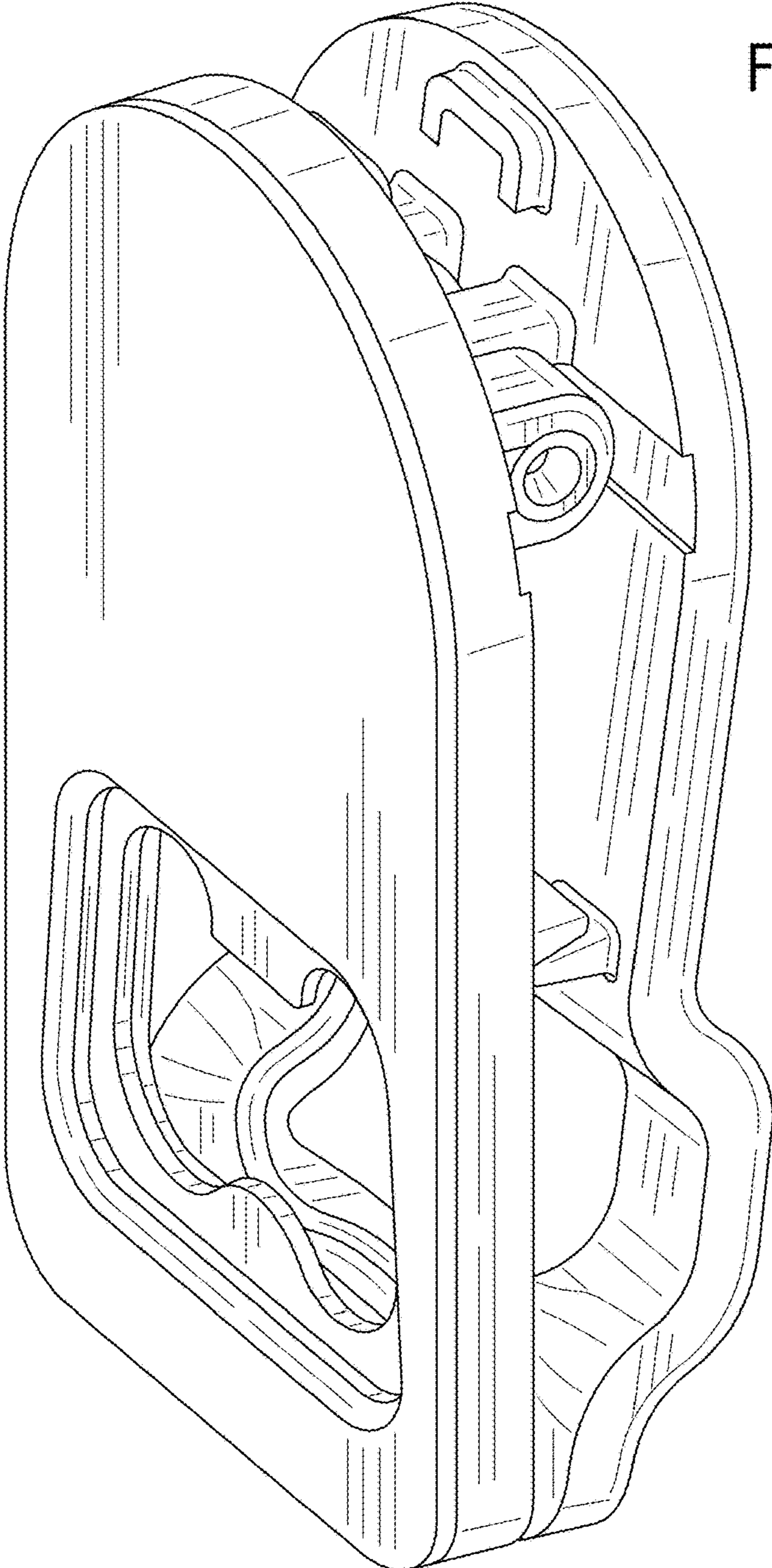


FIG. 4

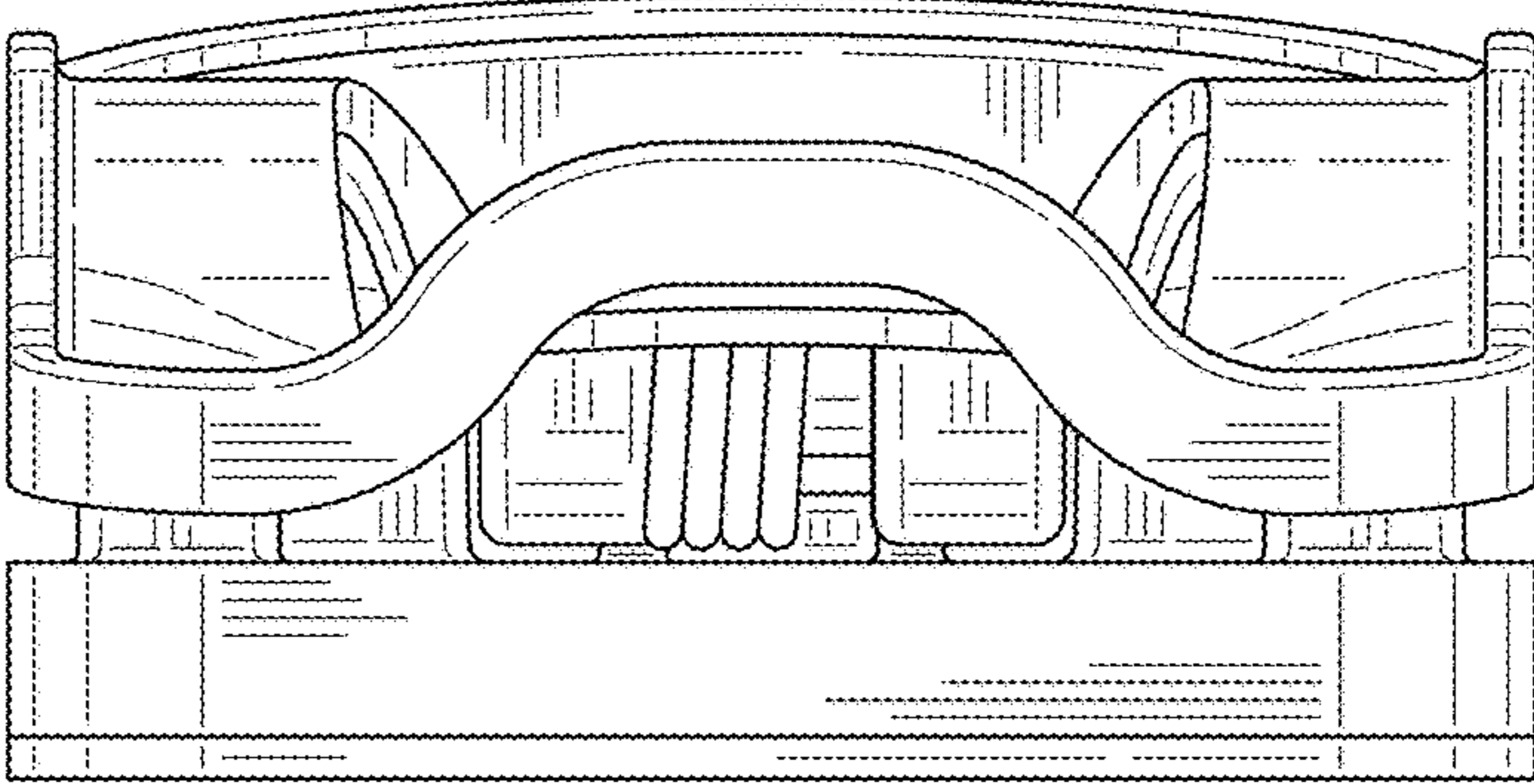


FIG. 5

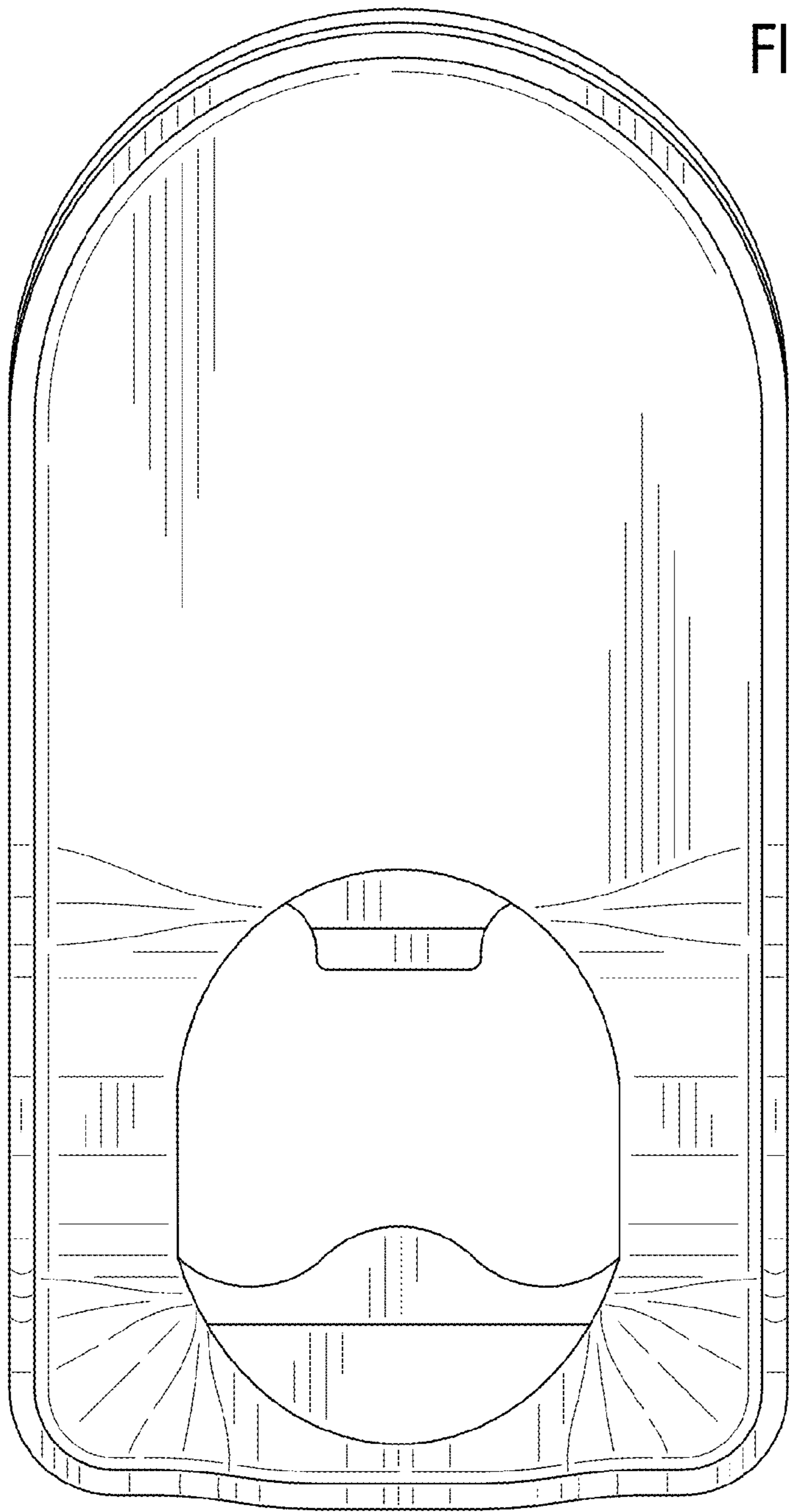
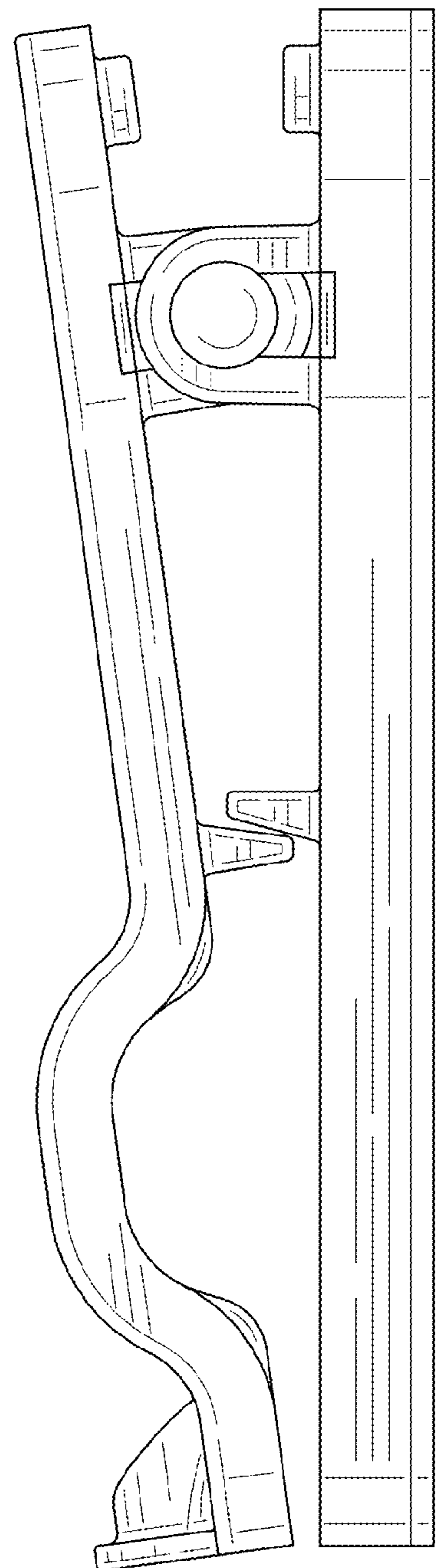


FIG. 6



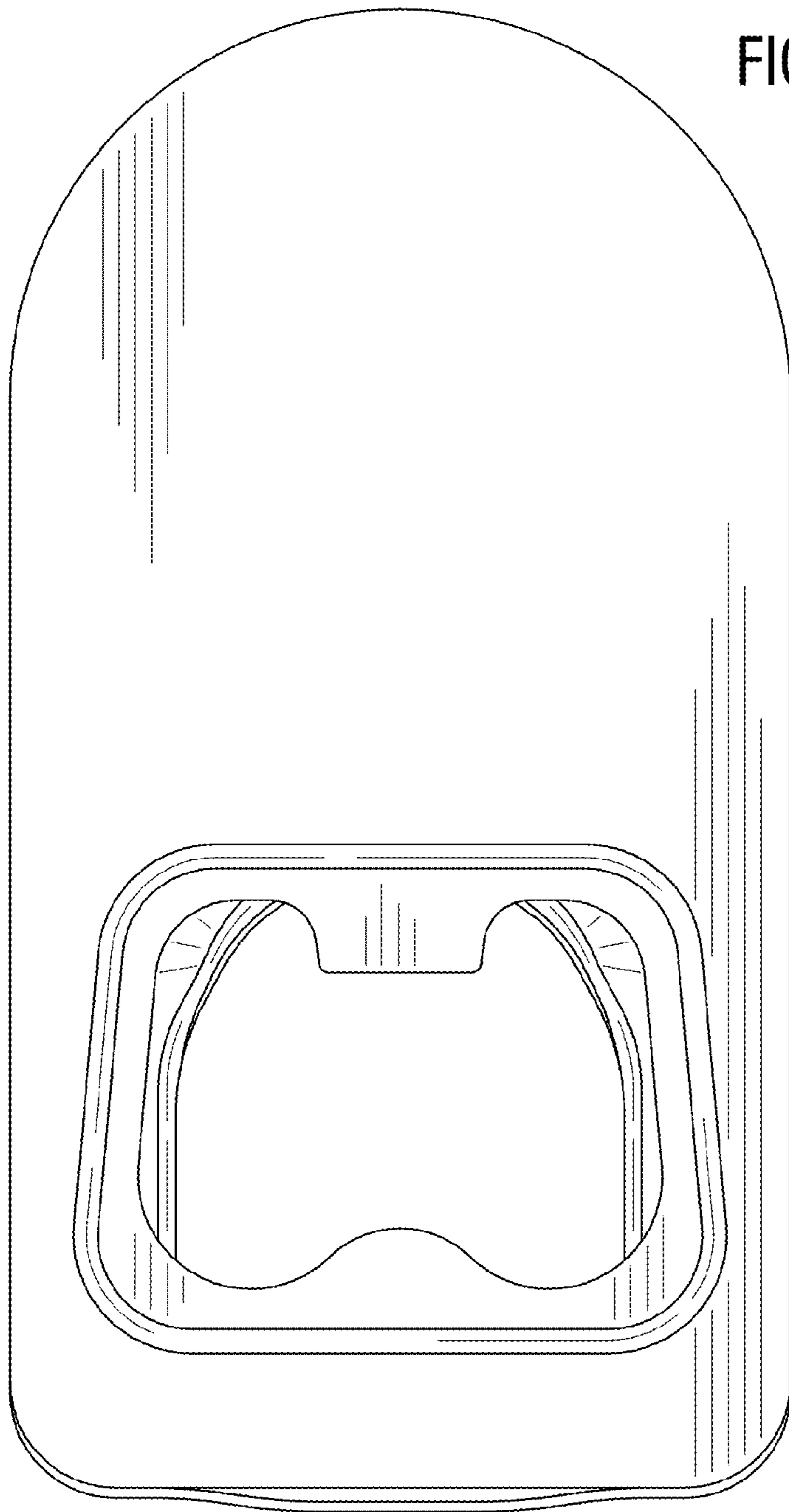


FIG. 7

FIG. 8

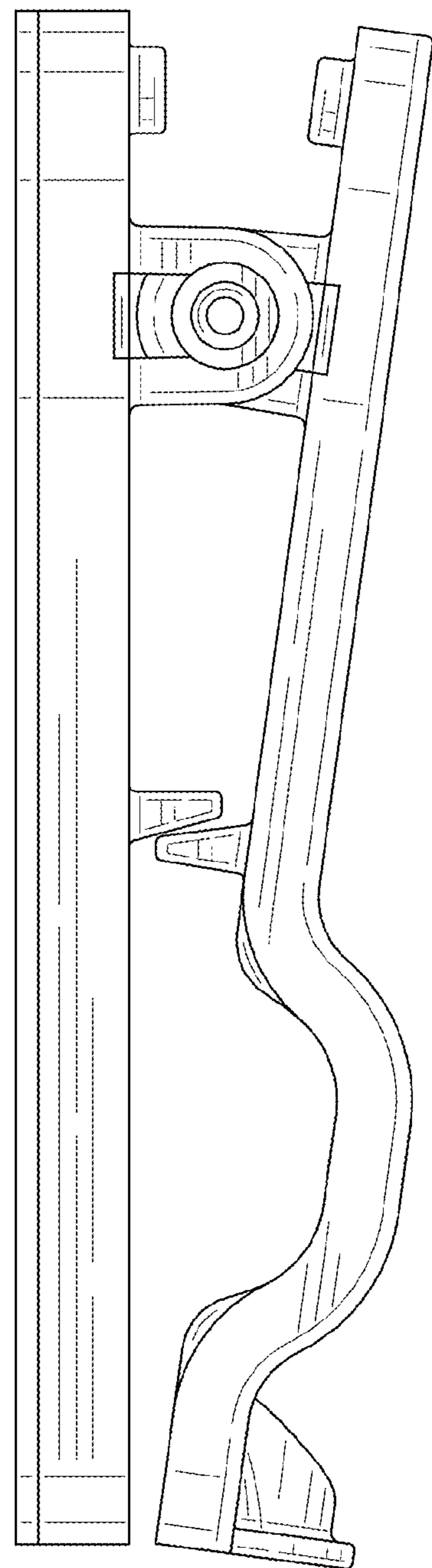


FIG. 9

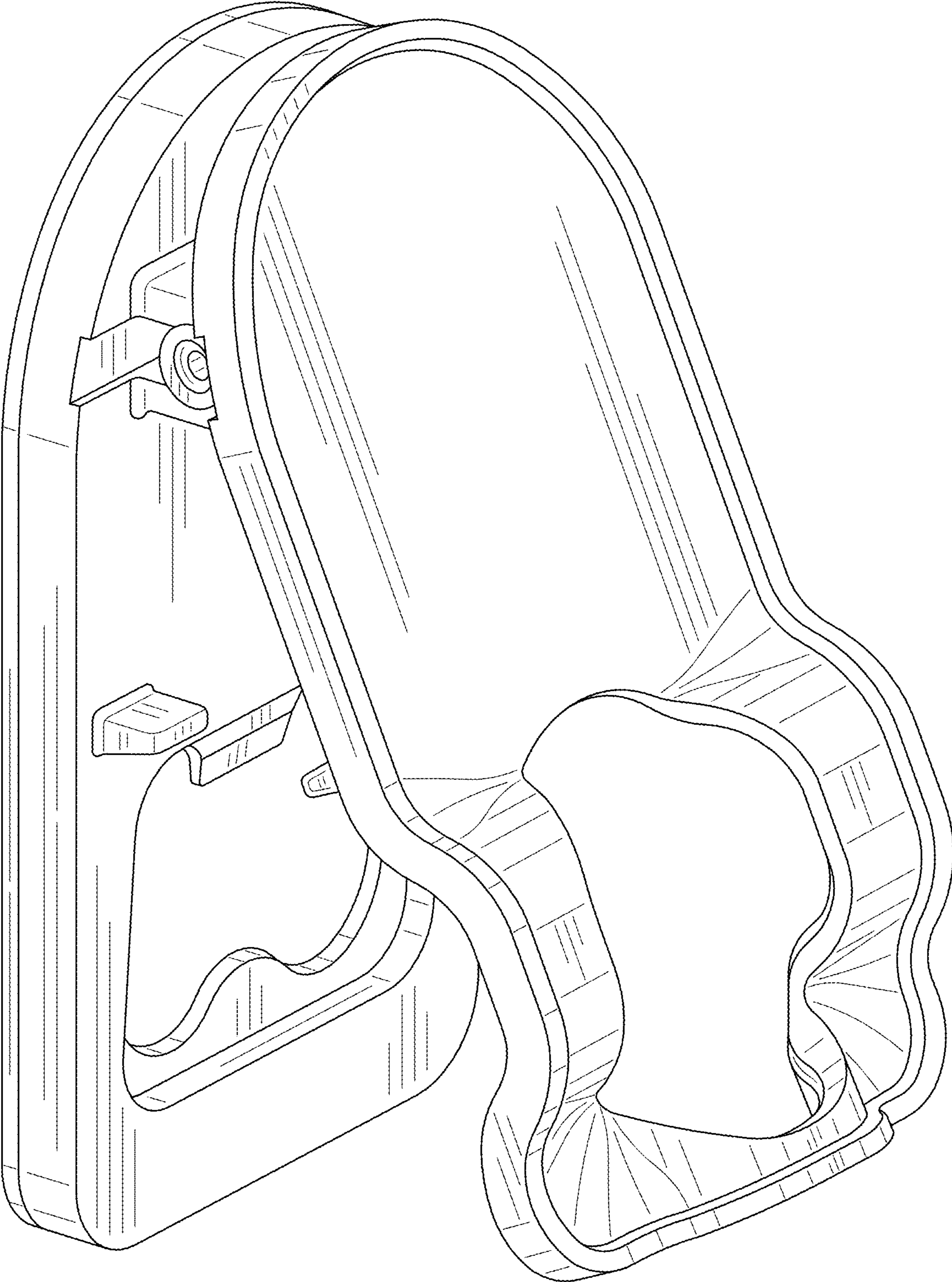


FIG. 10

