



US00D899081S

(12) **United States Design Patent** (10) **Patent No.:** **US D899,081 S**
Yamamoto et al. (45) **Date of Patent:** **** Oct. 20, 2020**

(54) **CONTACT LENS CASE**
(71) Applicant: **MENICON CO., LTD.**, Aichi (JP)
(72) Inventors: **Keisuke Yamamoto**, Nagoya (JP);
Katsuhiko Iwai, Kakamigahara (JP);
Akihiro Yasuda, Kasugai (JP); **Keiko Yamamoto**, Kasugai (JP); **Takashi Goto**, Kakamigahara (JP)

(73) Assignee: **MENICON CO., LTD.**, Negoya (JP)
(**) Term: **15 Years**

(21) Appl. No.: **35/507,278**

(22) Filed: **Dec. 7, 2018**

(80) **Hague Agreement Data**

Int. Filing Date: **Dec. 7, 2018**
Int. Reg. No.: **DM/202340**
Int. Reg. Date: **Dec. 7, 2018**
Int. Reg. Pub. Date: **Aug. 23, 2019**

(51) **LOC (12) Cl.** **03-01**

(52) **U.S. Cl.**
USPC **D3/264**

(58) **Field of Classification Search**
USPC D3/203.2, 203.3, 264, 310, 309, 311,
D3/312, 313; D9/416, 418, 419, 424,
D9/427, 428, 433, 732, 736-762
CPC A45C 11/04; A45C 11/05; B65B 25/008;
B65B 51/10

See application file for complete search history.

(56) **References Cited**

U.S. PATENT DOCUMENTS

4,691,820 A * 9/1987 Martinez B65D 75/326
206/205
D357,115 S * 4/1995 Abrams D3/264
D357,352 S * 4/1995 Abrams D3/264
D358,028 S * 5/1995 Abrams D3/264
D371,678 S * 7/1996 Borghorst D3/263

D380,898 S * 7/1997 Lovell D3/264
D435,966 S * 1/2001 Duis D3/264
D511,893 S * 11/2005 Chou D3/263
D512,217 S * 12/2005 Chou D3/263
D543,103 S * 5/2007 Roche D3/264
D556,602 S * 12/2007 Clements D9/732
D556,603 S * 12/2007 Barnes D9/732
D683,244 S * 5/2013 Atkinson D9/732
D686,922 S * 7/2013 Davis D9/732

(Continued)

FOREIGN PATENT DOCUMENTS

CN 303650940 S 4/2016
DM 088645 4/2016

(Continued)

Primary Examiner — Holly E Thurman

(74) *Attorney, Agent, or Firm* — Oliff PLC

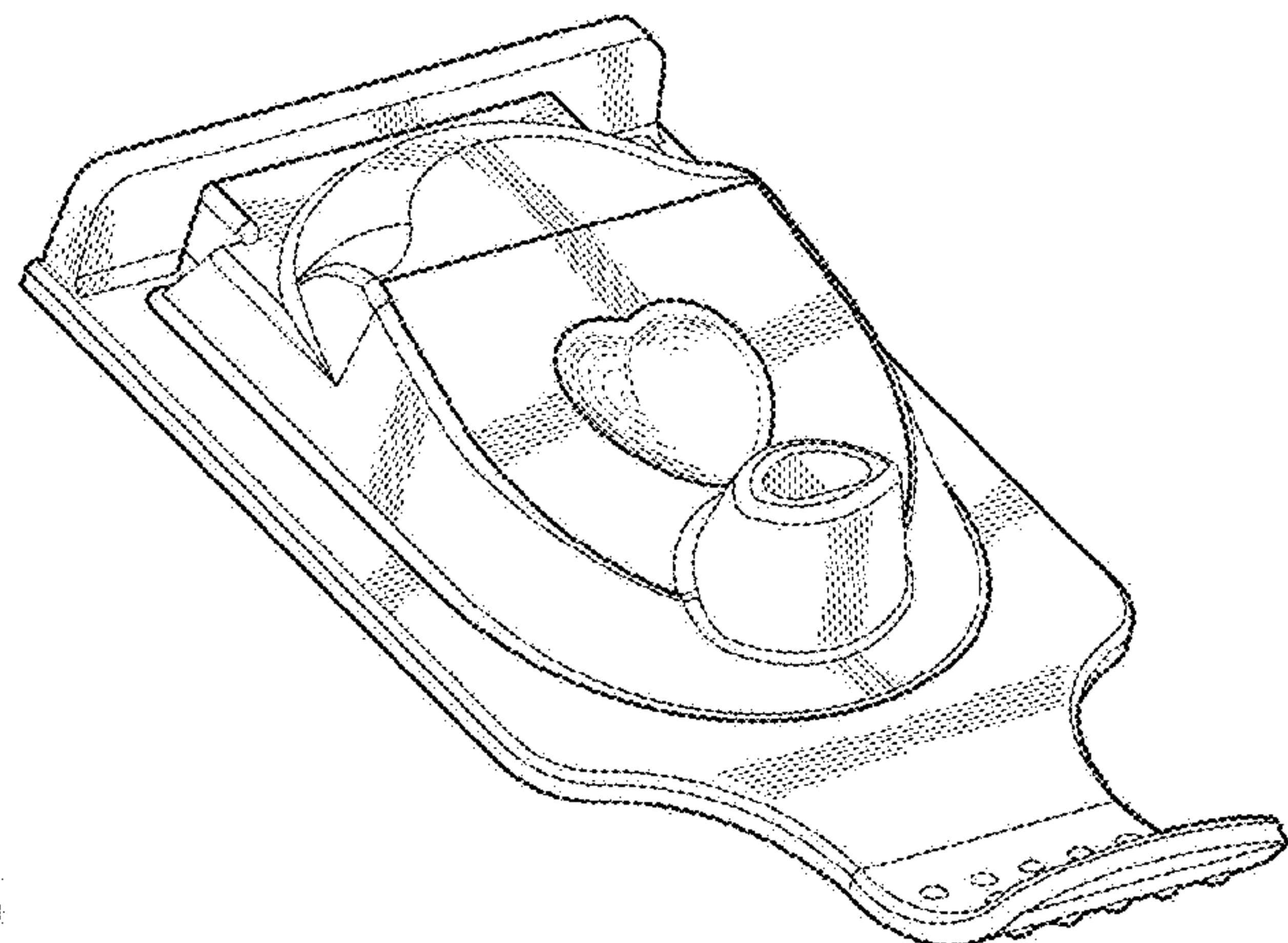
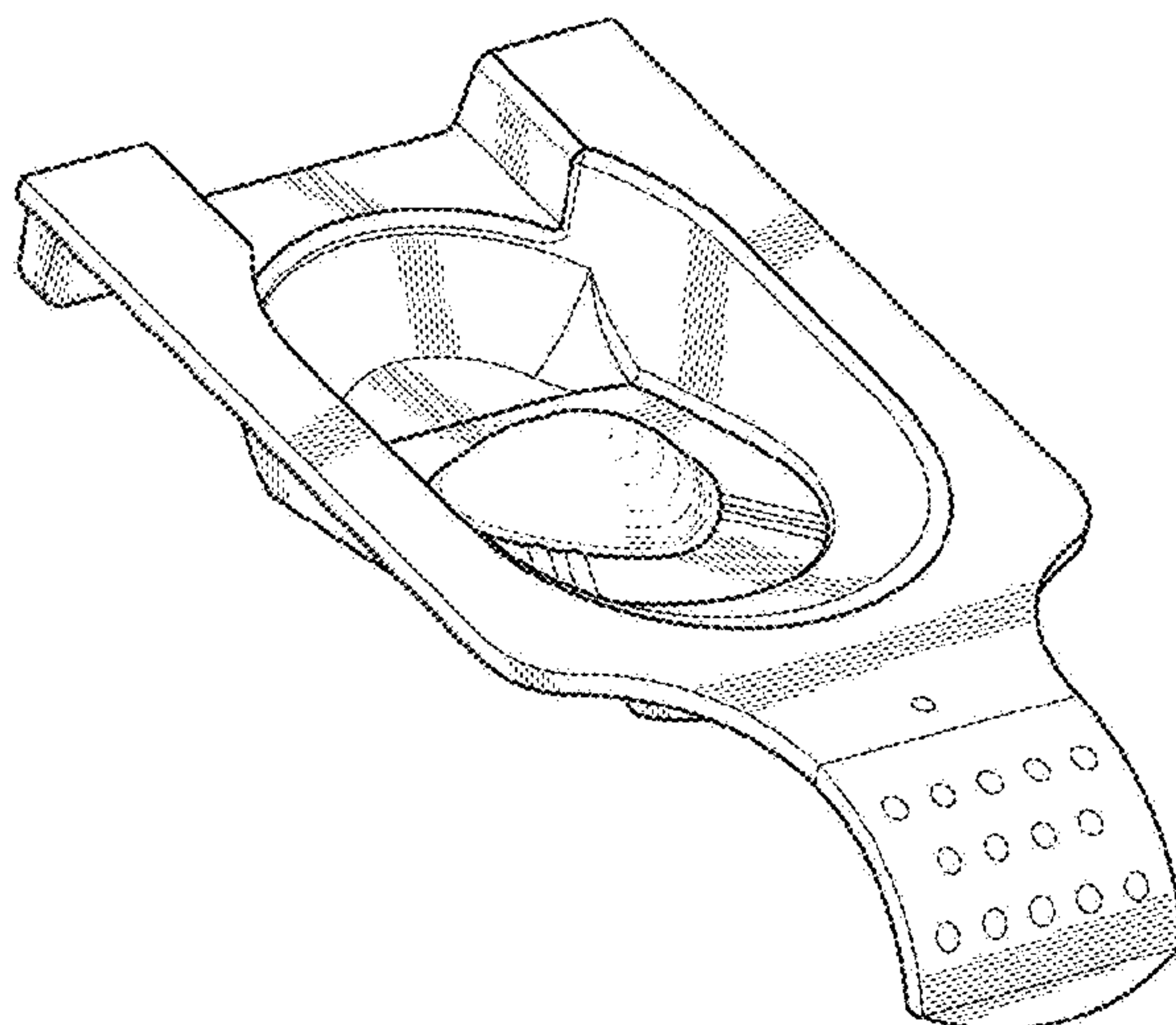
(57) **CLAIM**

The ornamental design for a contact lens case, as shown and described.

DESCRIPTION

1. Contact lens case
1.1: Top perspective
1.2: Second top perspective
1.3: Bottom perspective
1.4: Second bottom perspective
1.5: Front
1.6: Back
1.7: Top
1.8: Bottom
1.9: Left
1.10: Right
1.11: Reference Top view showing a state of being covered with a sealing layer
1.12: Cross sectional view taken along line 1.12-1.12 of Figure 1.11
The broken lines depict portions of the contact lens case that form no part of the claimed design.

1 Claim, 11 Drawing Sheets



(56)

References Cited

U.S. PATENT DOCUMENTS

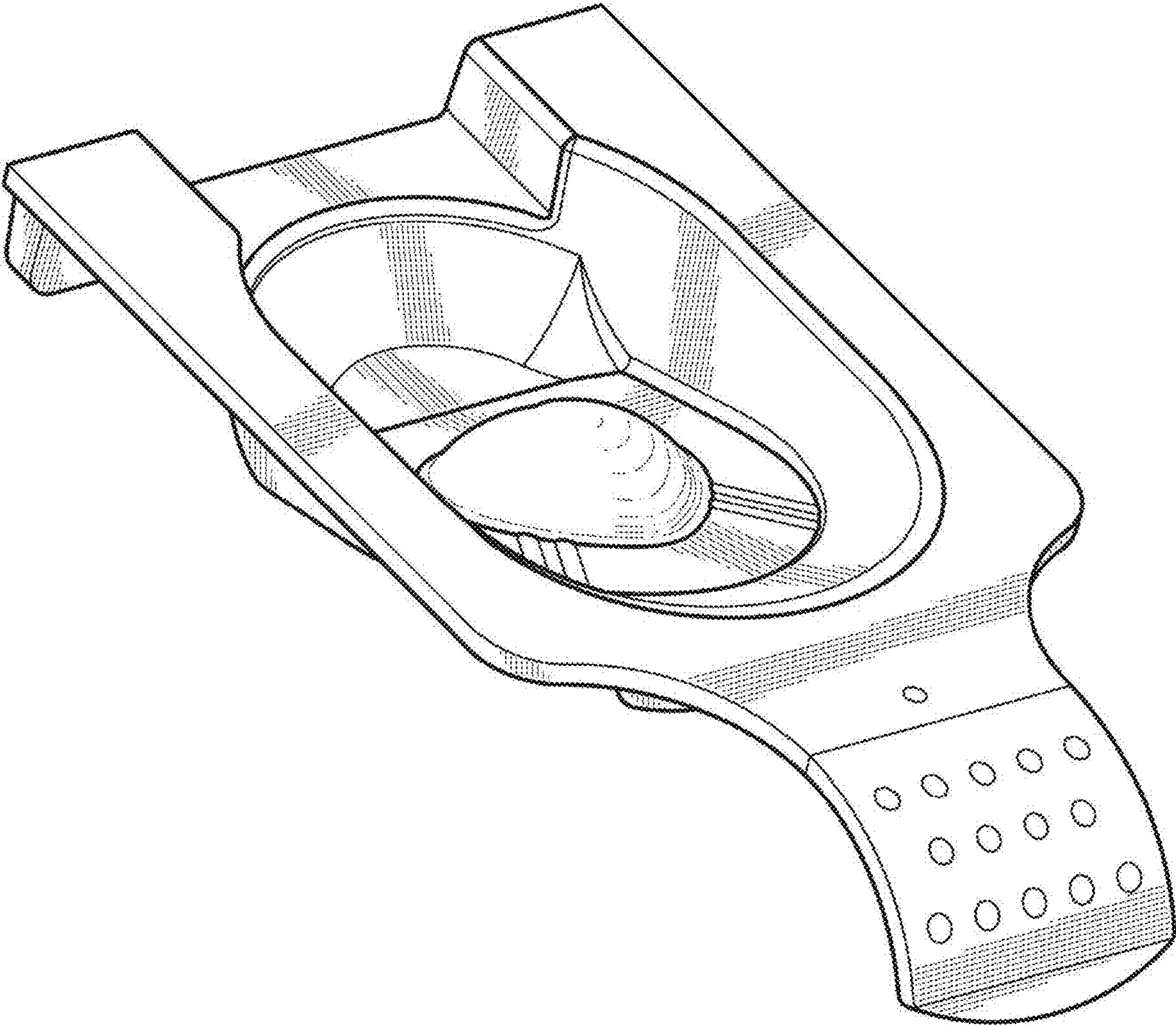
D686,923 S * 7/2013 Aldridge D9/732
D805,920 S * 12/2017 Clamp D9/732
D813,537 S 3/2018 Miura et al.
2018/0134475 A1 5/2018 Newman

FOREIGN PATENT DOCUMENTS

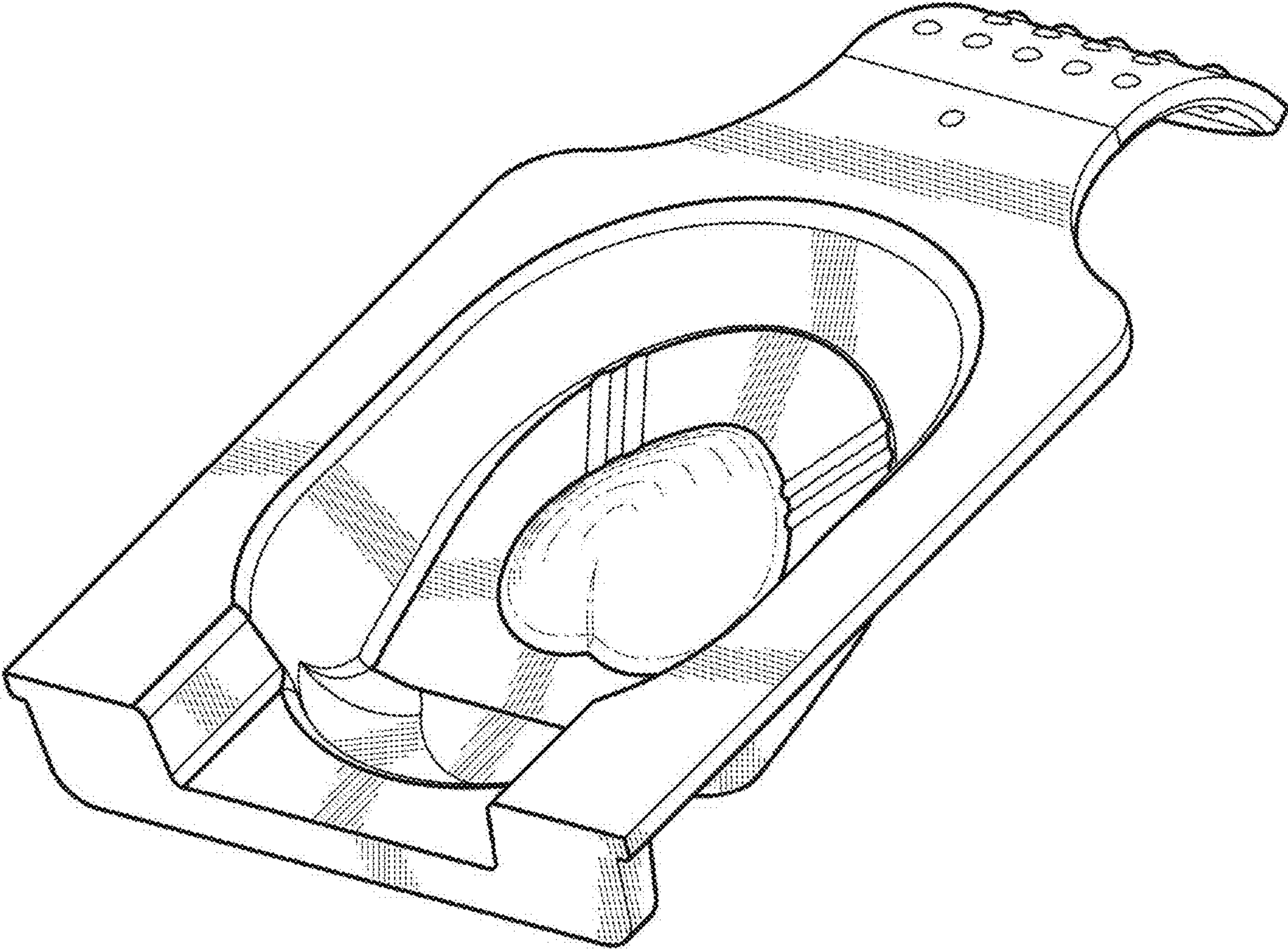
DM 103851 4/2016
DM 103851 11/2019
JP 6129238 B 5/2017
JP 6129239 B 5/2017

* cited by examiner

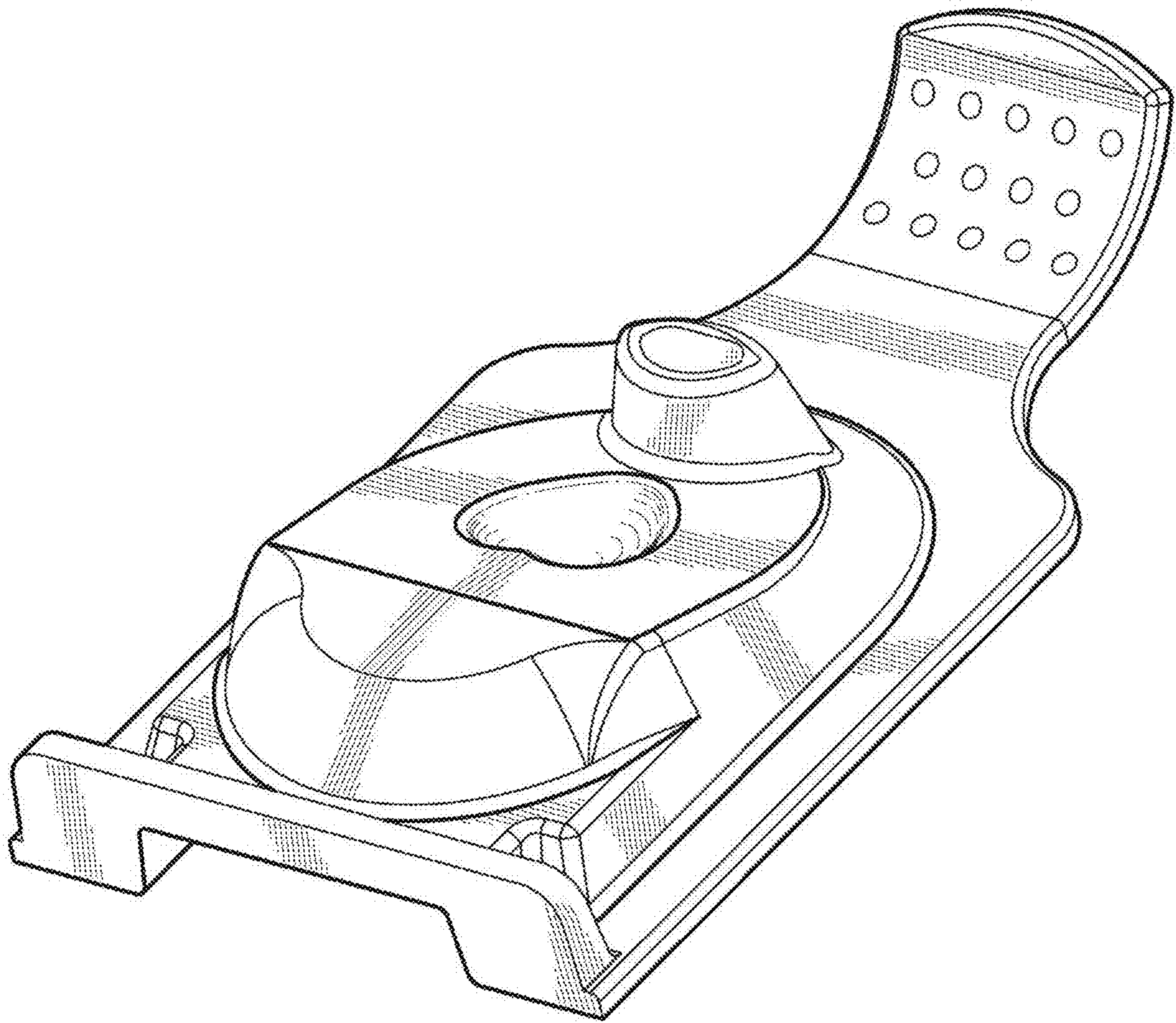
1.1



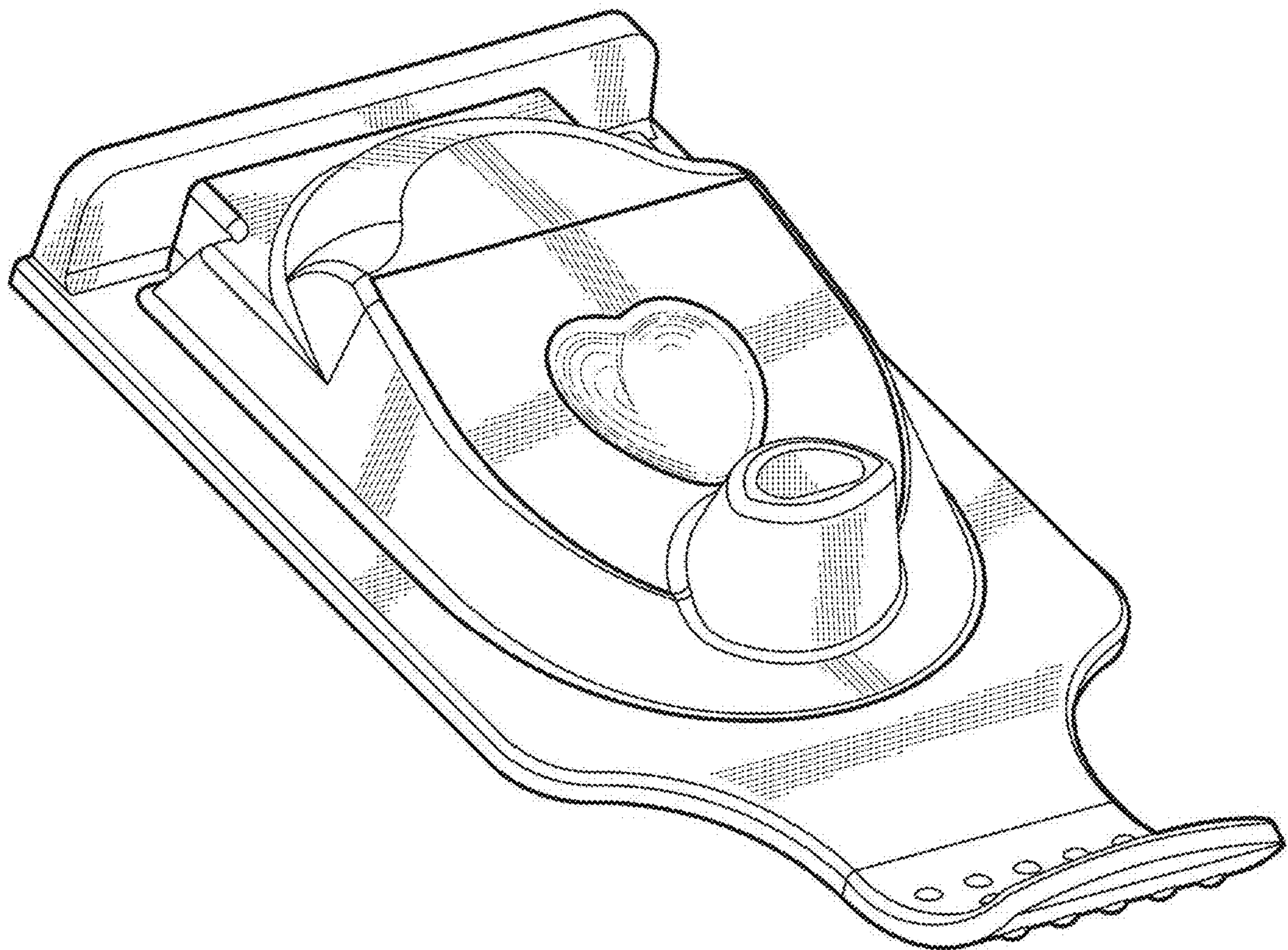
1.2



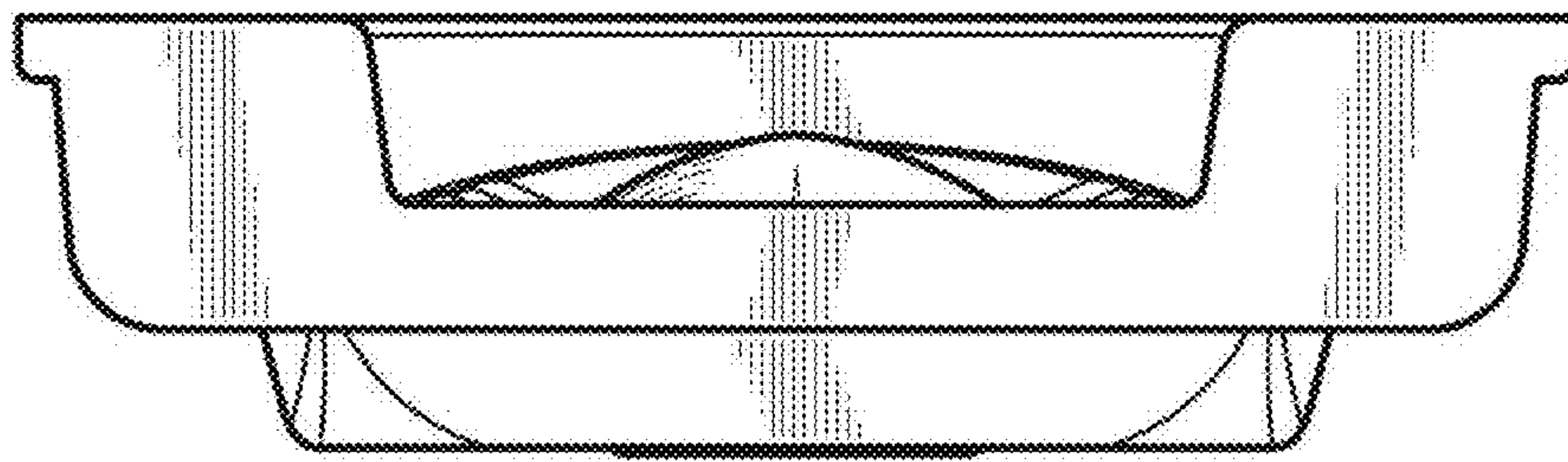
1.3



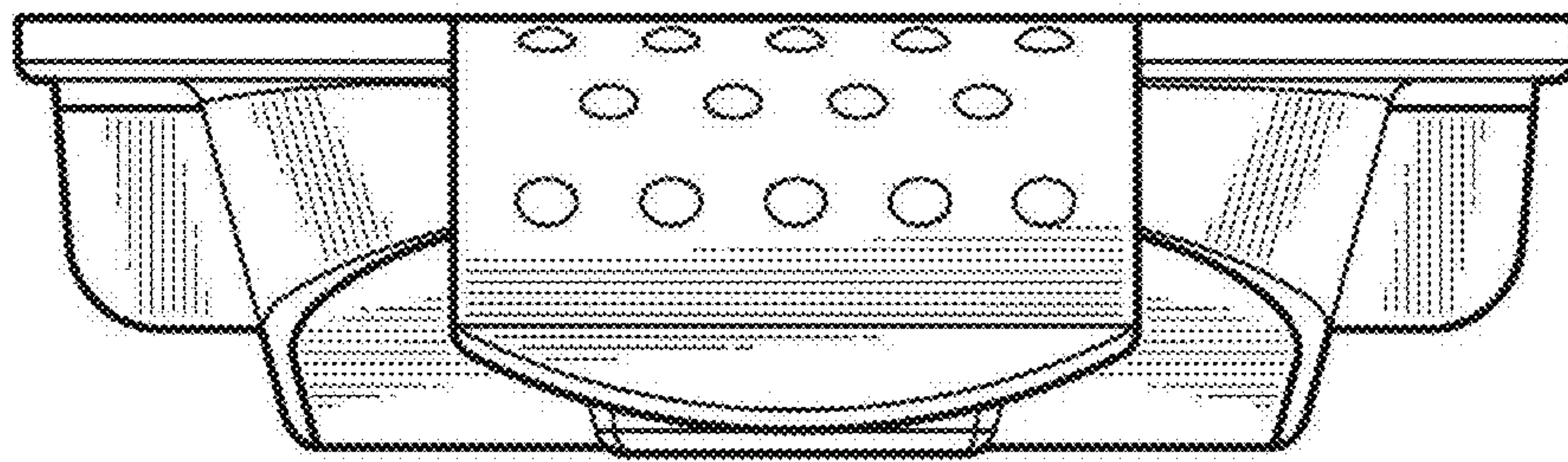
1.4



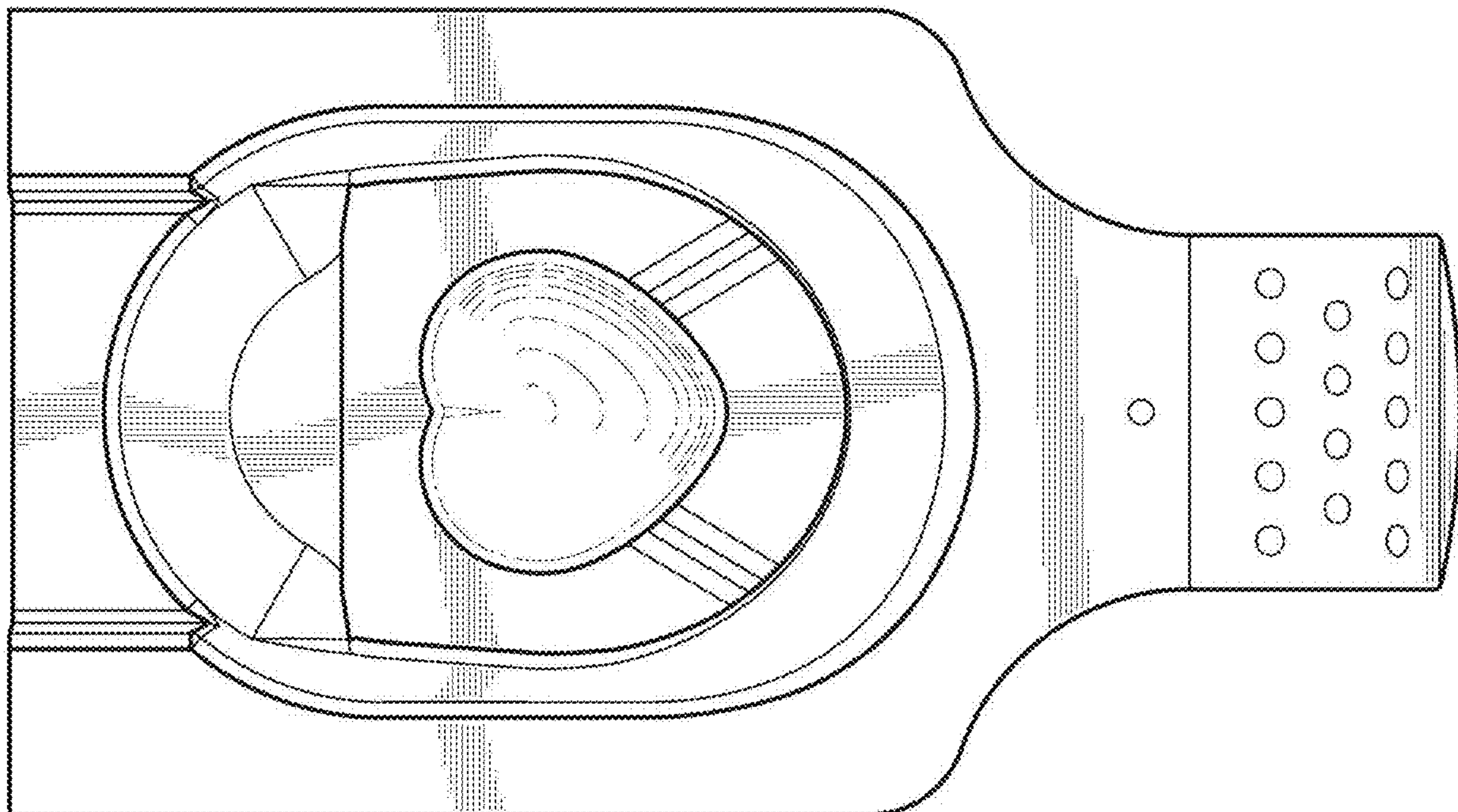
1.5



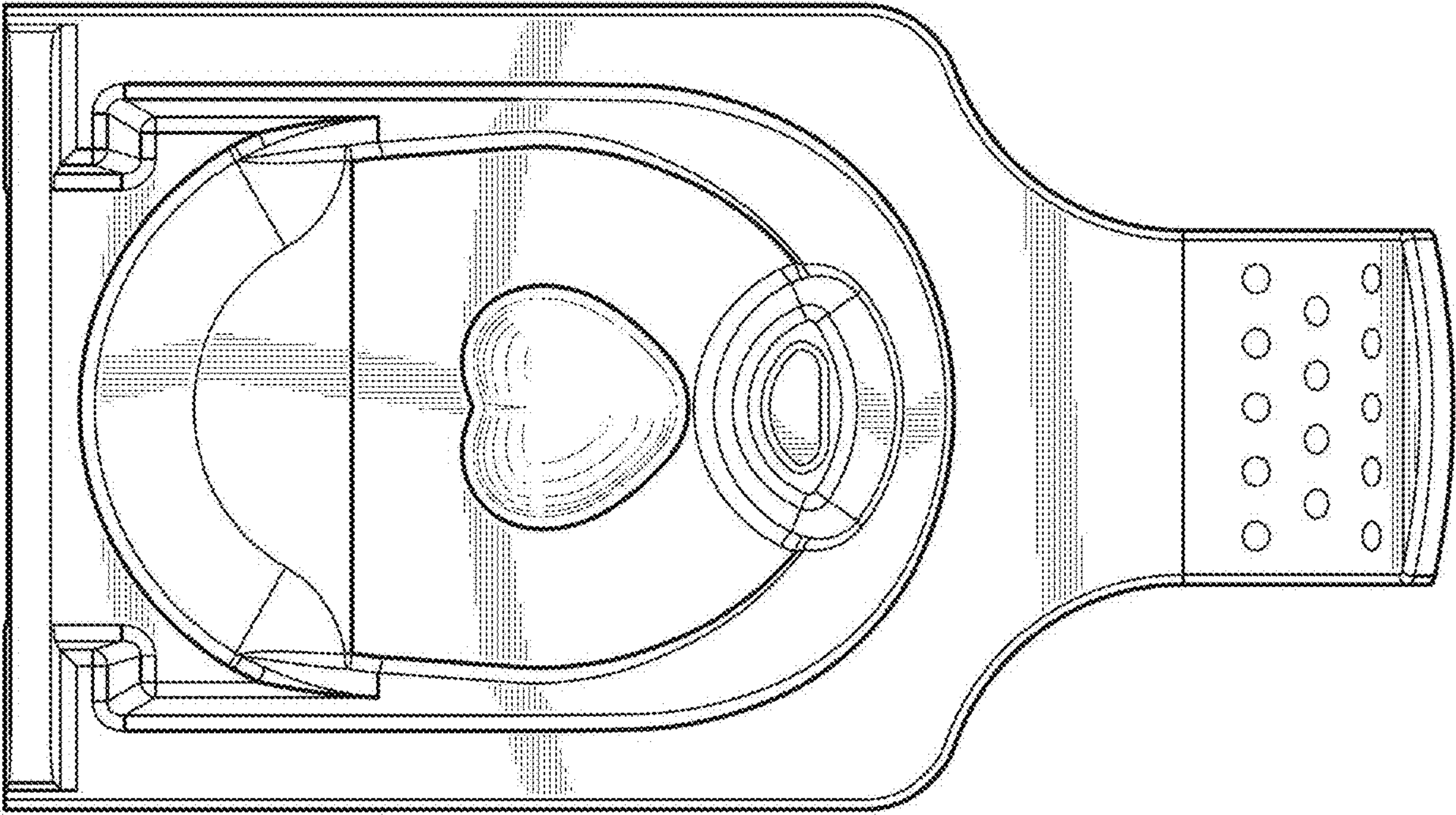
1.6



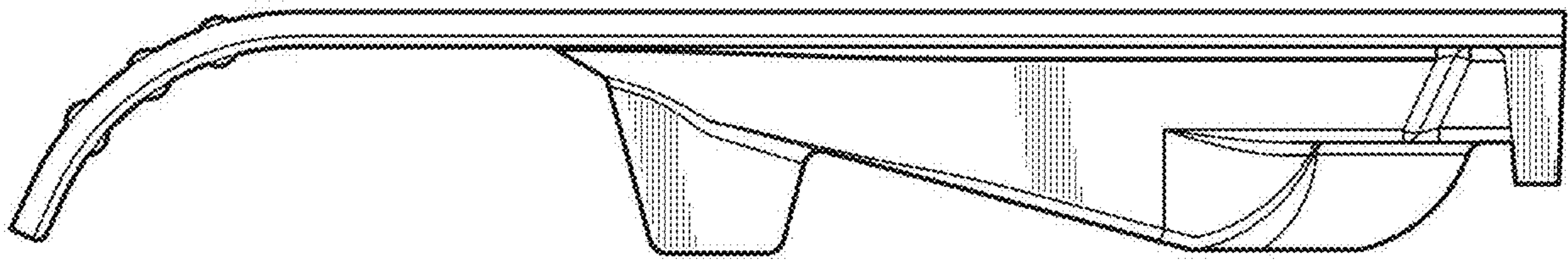
1.7



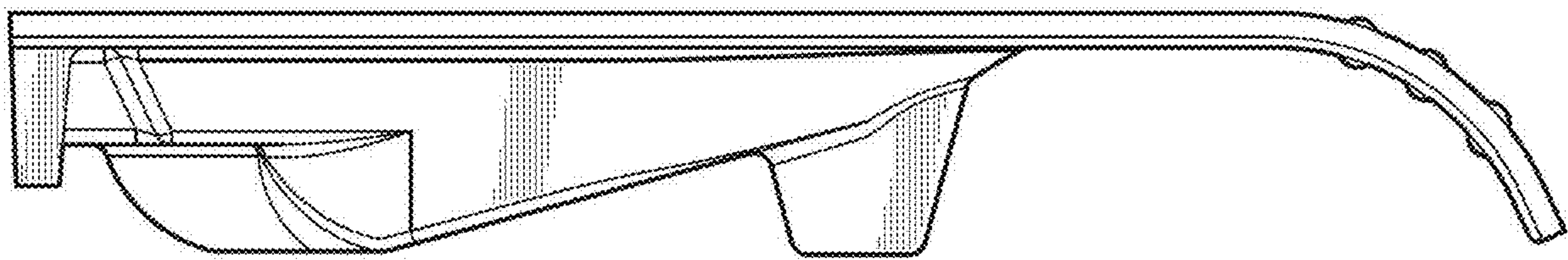
1.8



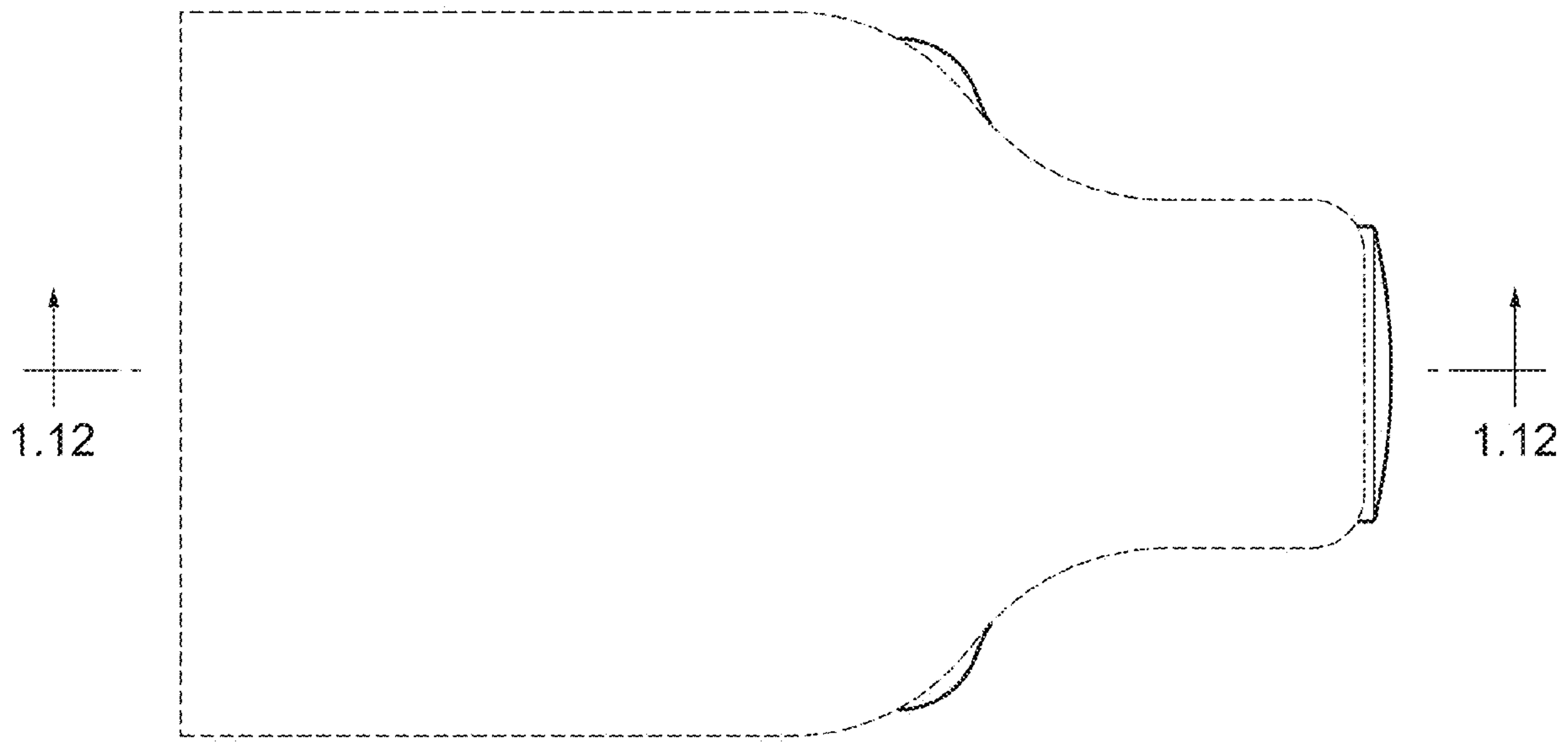
1.9



1.10



【1.11】



【1.12】

