



US00D899079S

(12) **United States Design Patent** (10) **Patent No.:** **US D899,079 S**  
**Priest** (45) **Date of Patent:** **\*\* Oct. 20, 2020**

(54) **WATERFOWL WORKSTATION**

(71) Applicant: **M&M Sales Enterprises Inc.,**  
Dubuque, IA (US)

(72) Inventor: **John Brian Priest,** Dubuque, IA (US)

(73) Assignee: **M&M Sales Enterprises Inc.,**  
Dubuque, IA (US)

(\*\*) Term: **15 Years**

(21) Appl. No.: **29/674,589**

(22) Filed: **Dec. 21, 2018**

(51) **LOC (12) Cl.** ..... **03-01**

(52) **U.S. Cl.**  
USPC ..... **D3/217**

(58) **Field of Classification Search**  
USPC ..... D3/201, 213-219, 221, 224, 225, 229,  
D3/230, 232, 243-246, 254, 318  
CPC .. A45C 3/08; A45C 3/06; A45C 13/08; A45C  
13/02; A45C 7/0086; A45C 3/00; A45C  
13/26; A45F 3/04; A45F 3/02  
See application file for complete search history.

(56) **References Cited**

**U.S. PATENT DOCUMENTS**

5,673,836	A *	10/1997	Bush	.....	A41D 13/00 2/94
5,799,851	A *	9/1998	Wulf	.....	A45C 7/0045 224/580
5,913,409	A *	6/1999	Test	.....	A41D 13/0012 2/102
D500,590	S *	1/2005	Sachen	.....	D3/216
D534,710	S *	1/2007	Reeves	.....	D2/830
D690,095	S *	9/2013	Garcia	.....	D3/217
D725,908	S *	4/2015	Zwetzig	.....	D3/283
D737,568	S *	9/2015	Robert	.....	D3/217
D746,049	S *	12/2015	Zwetzig	.....	D3/217

(Continued)

*Primary Examiner* — Jennifer L Watkins

(74) *Attorney, Agent, or Firm* — Rathe Lindenbaum LLP

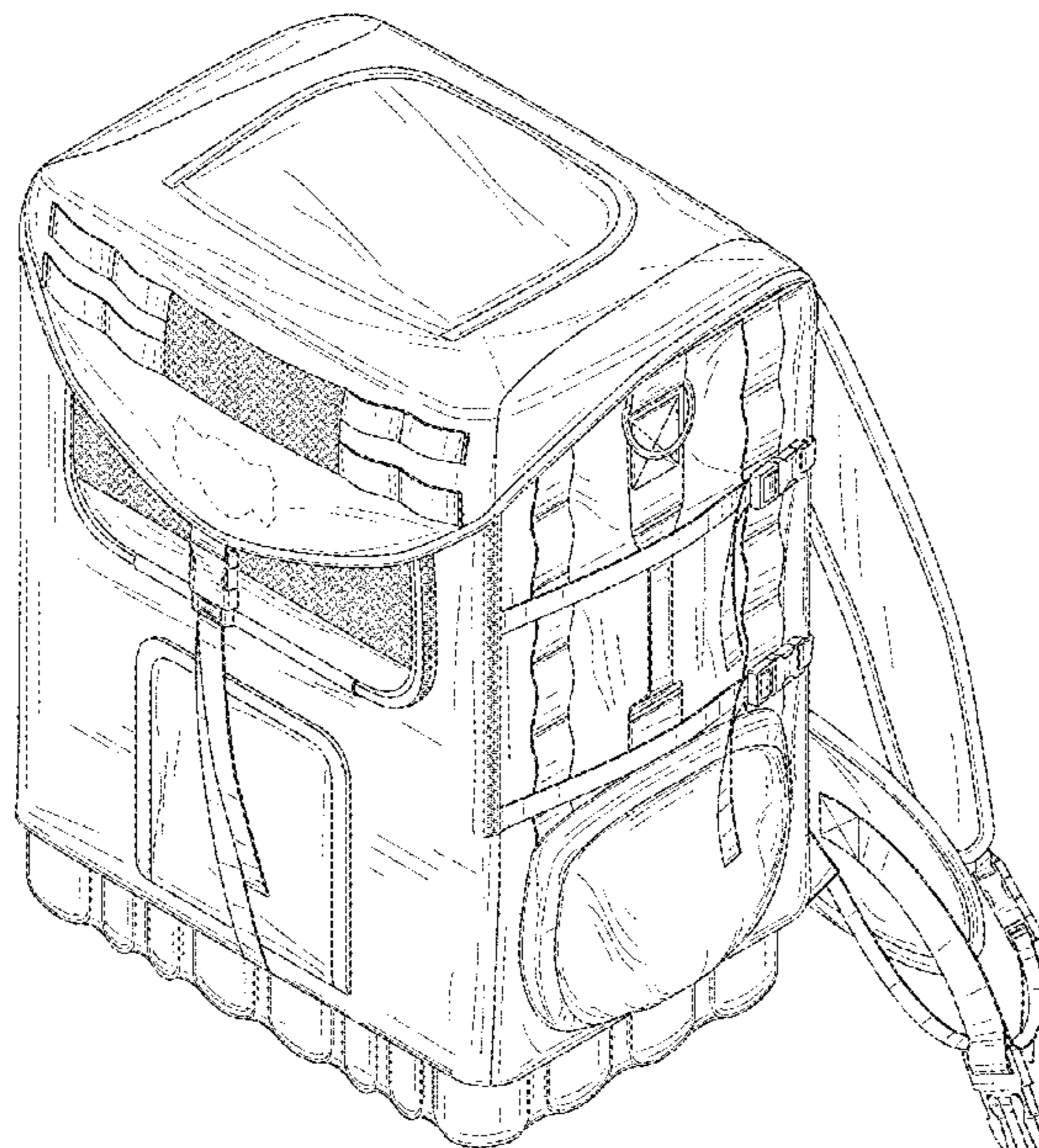
(57) **CLAIM**

I claim the ornamental design for a waterfowl workstation, as shown and described.

**DESCRIPTION**

FIG. 1 is a top perspective view of a waterfowl workstation; FIG. 2 is a rear view thereof; FIG. 3 is a front view thereof; FIG. 4 is a right side view thereof; FIG. 5 is a left side view thereof; FIG. 6 is a top view thereof; FIG. 7 is a bottom view thereof; FIG. 8 is a top perspective view of the waterfowl workstation being worn with a deployed pocket carrying a firearm; FIG. 9 is a top perspective view of the waterfowl workstation with an opened top pocket; FIG. 10 is a top perspective view of the waterfowl workstation with an opened top cover; FIG. 11 is a top perspective view of the waterfowl workstation with a firearm stock receiving pocket release to a hanging state for holding a stock of a firearm as shown in FIG. 8; FIG. 12 is a top perspective view of the waterfowl workstation with a first rear pocket flap in a hanging state; FIG. 13 is a top perspective view of the waterfowl workstation with a second rear pocket flap in a hanging state; FIG. 14 is a top perspective view of the waterfowl workstation with a pocket flap in a hanging state; and, FIG. 15 is a top perspective view of the waterfowl workstation with a top cover and a rear panel in open states. The ornamental design which is claimed is shown in solid lines in the drawings. The broken lines in the drawings form no part of the claimed design.

**1 Claim, 15 Drawing Sheets**



(56)

**References Cited**

U.S. PATENT DOCUMENTS

D763,567	S *	8/2016	Robert	.....	D3/217
D798,043	S *	9/2017	Sassi	.....	D3/217
D810,424	S *	2/2018	Tobias	.....	D3/217
D856,662	S *	8/2019	Breines	.....	D3/217
D873,559	S *	1/2020	Skaff	.....	D3/217
D879,464	S *	3/2020	Vario, Jr.	.....	D3/217
2003/0024960	A1 *	2/2003	Greenstein	.....	A45F 3/047 224/153
2003/0234269	A1 *	12/2003	Shamas	.....	A43B 5/0425 224/576

\* cited by examiner

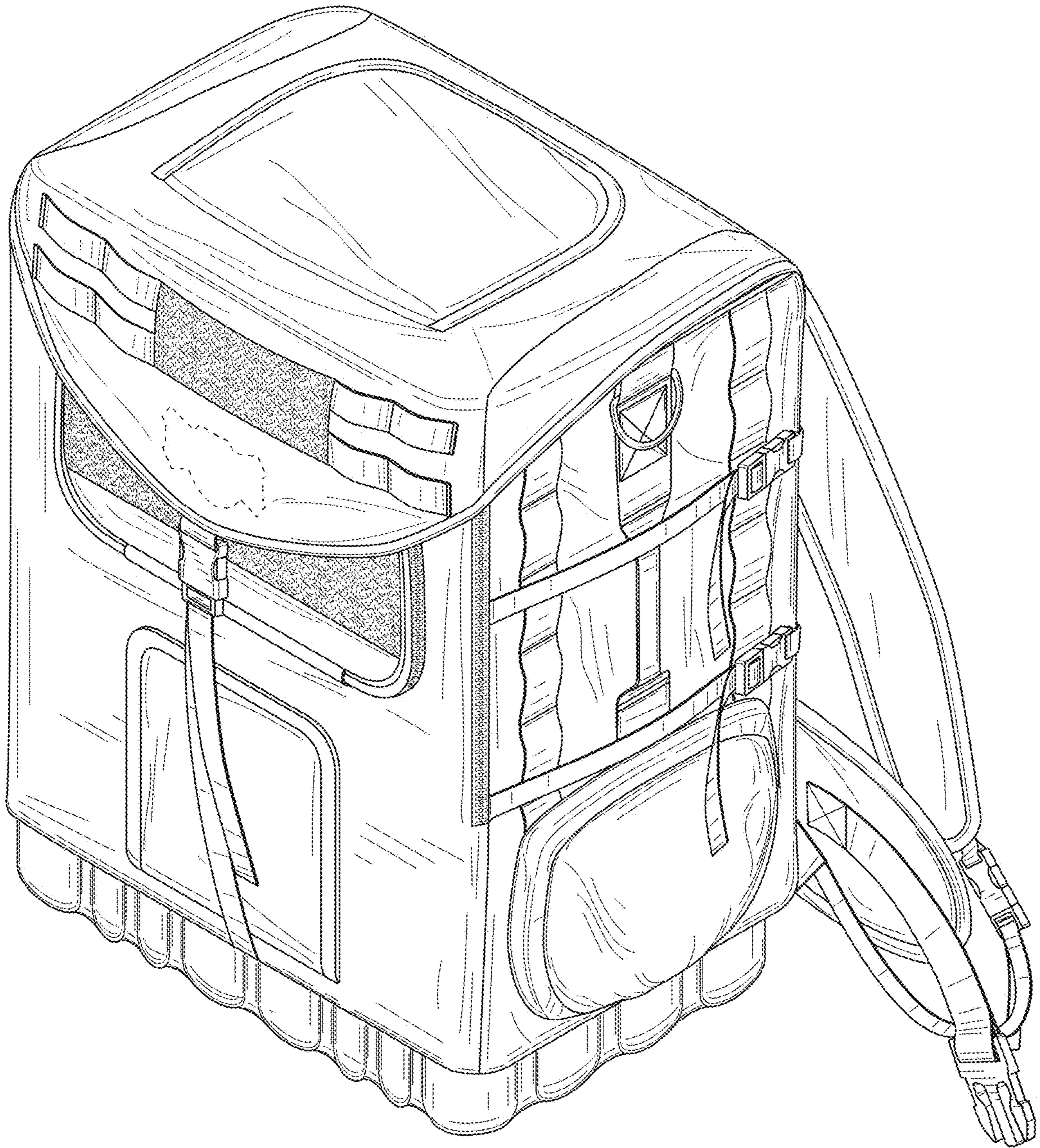


FIG. 1

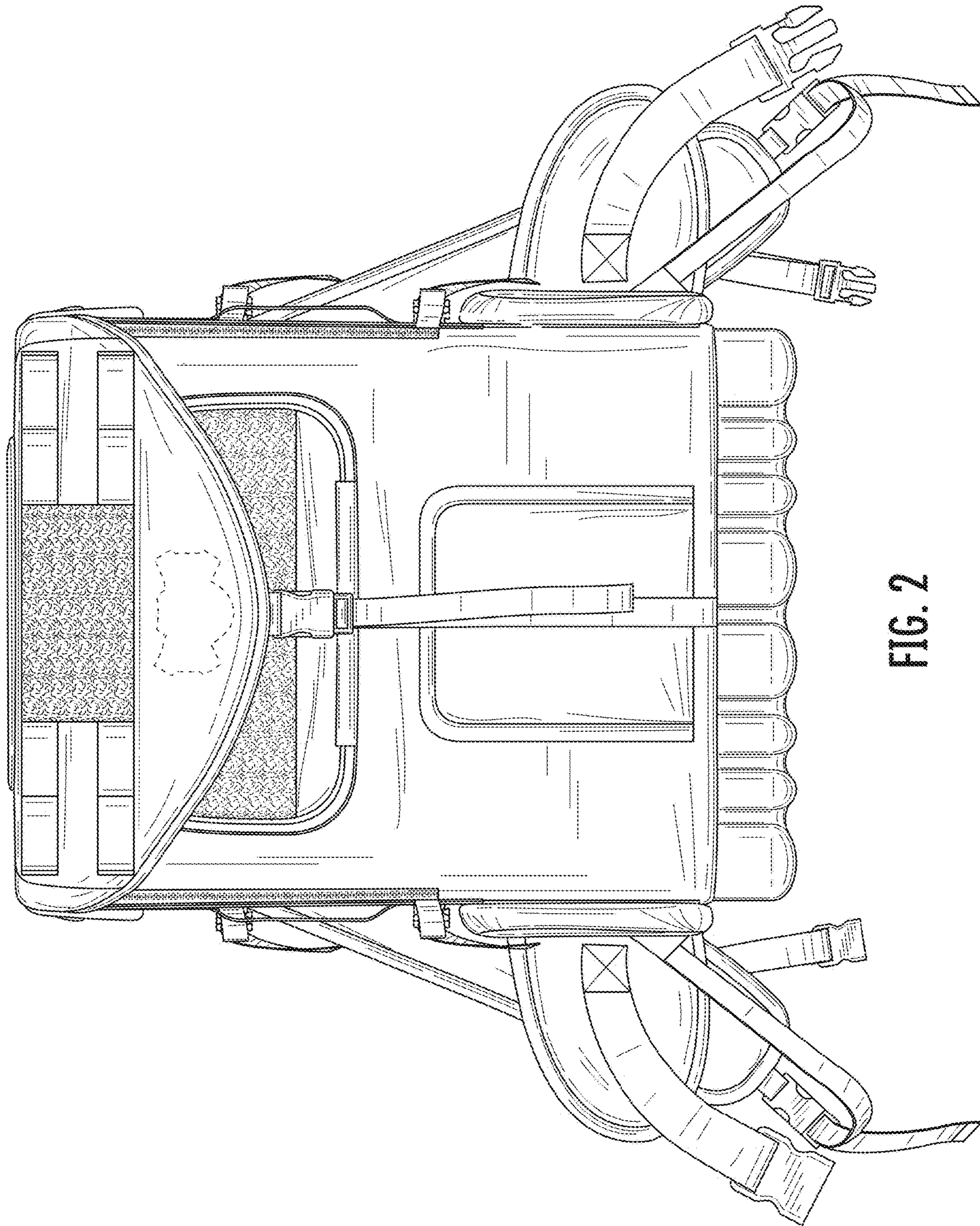


FIG. 2

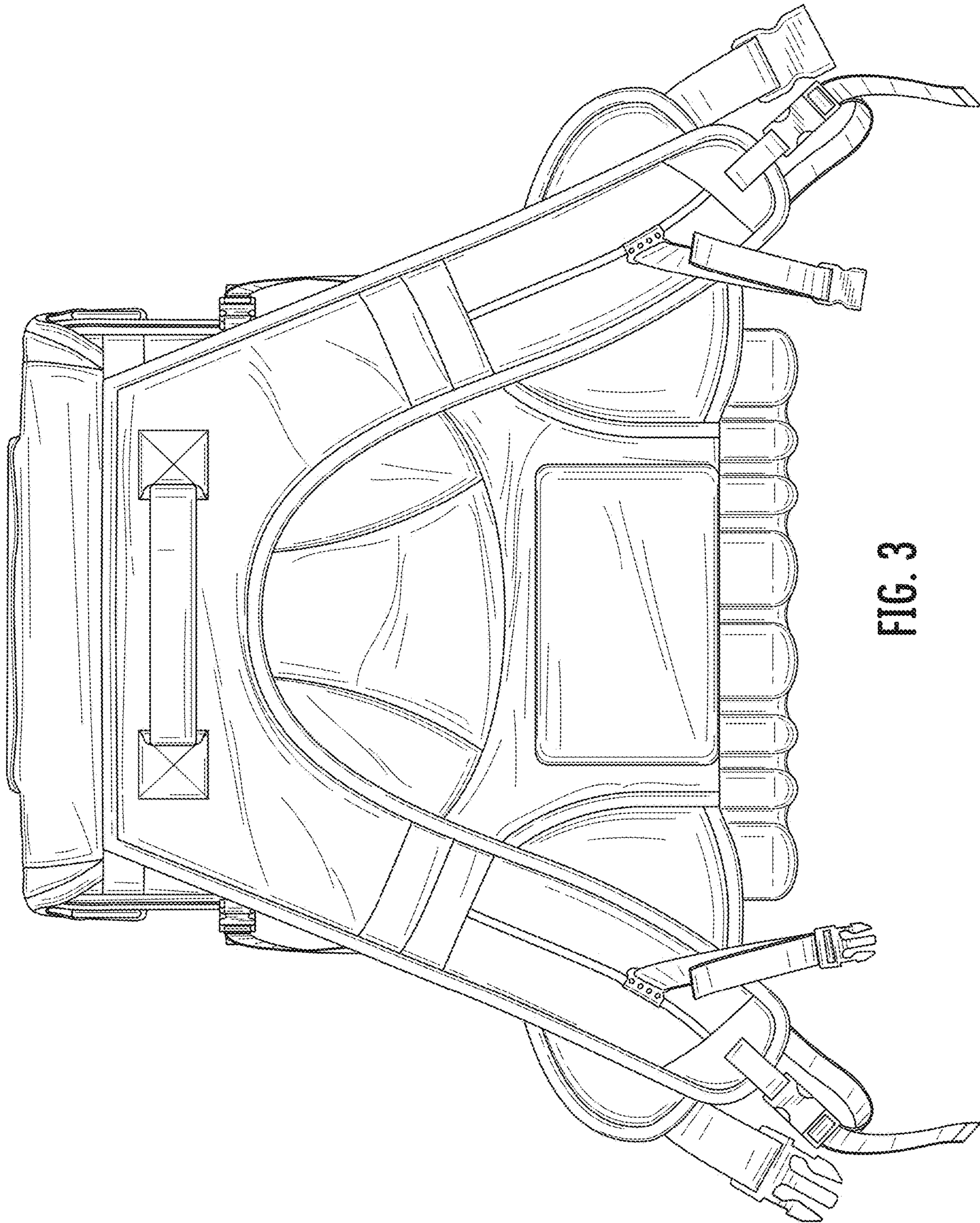


FIG. 3

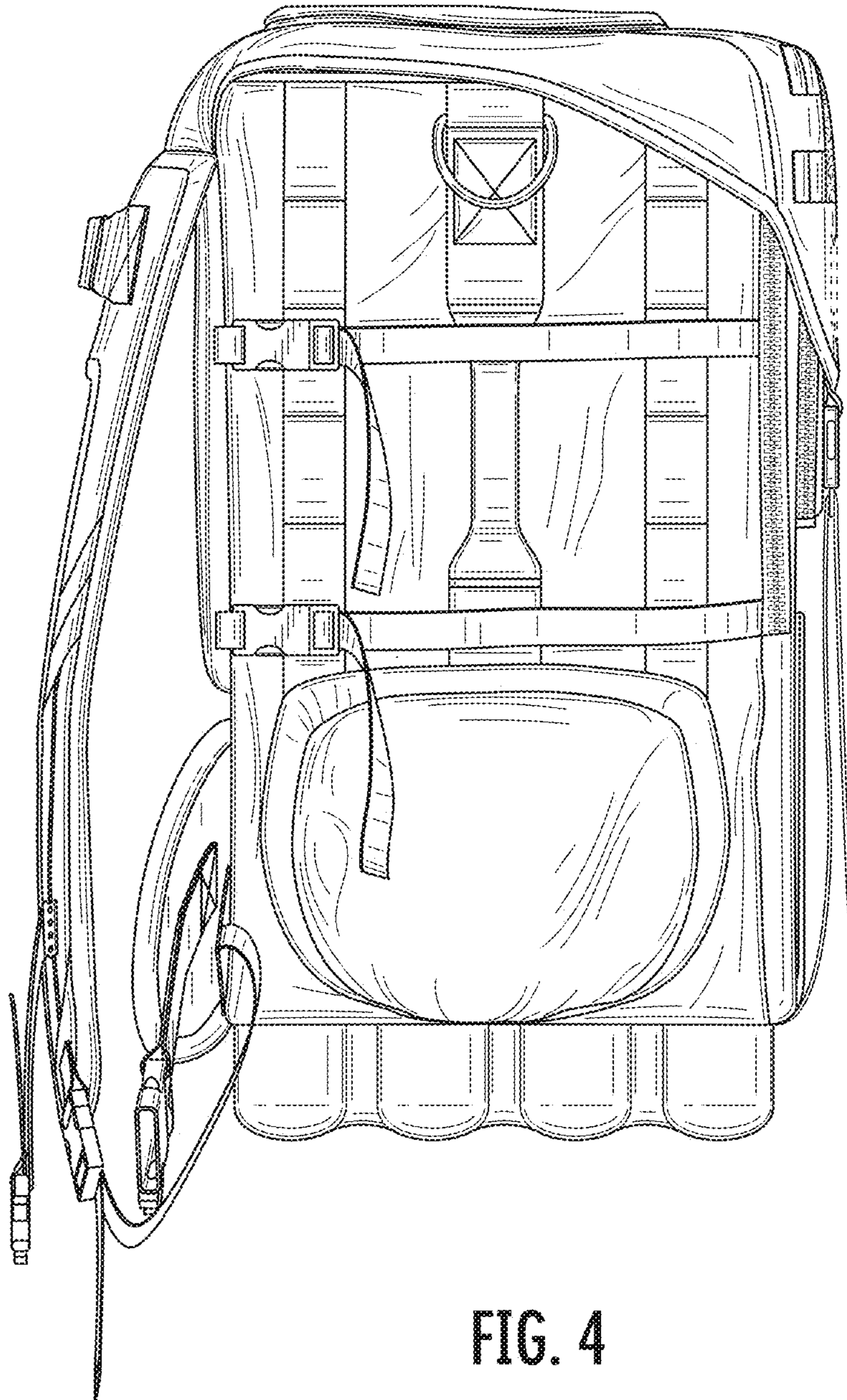


FIG. 4

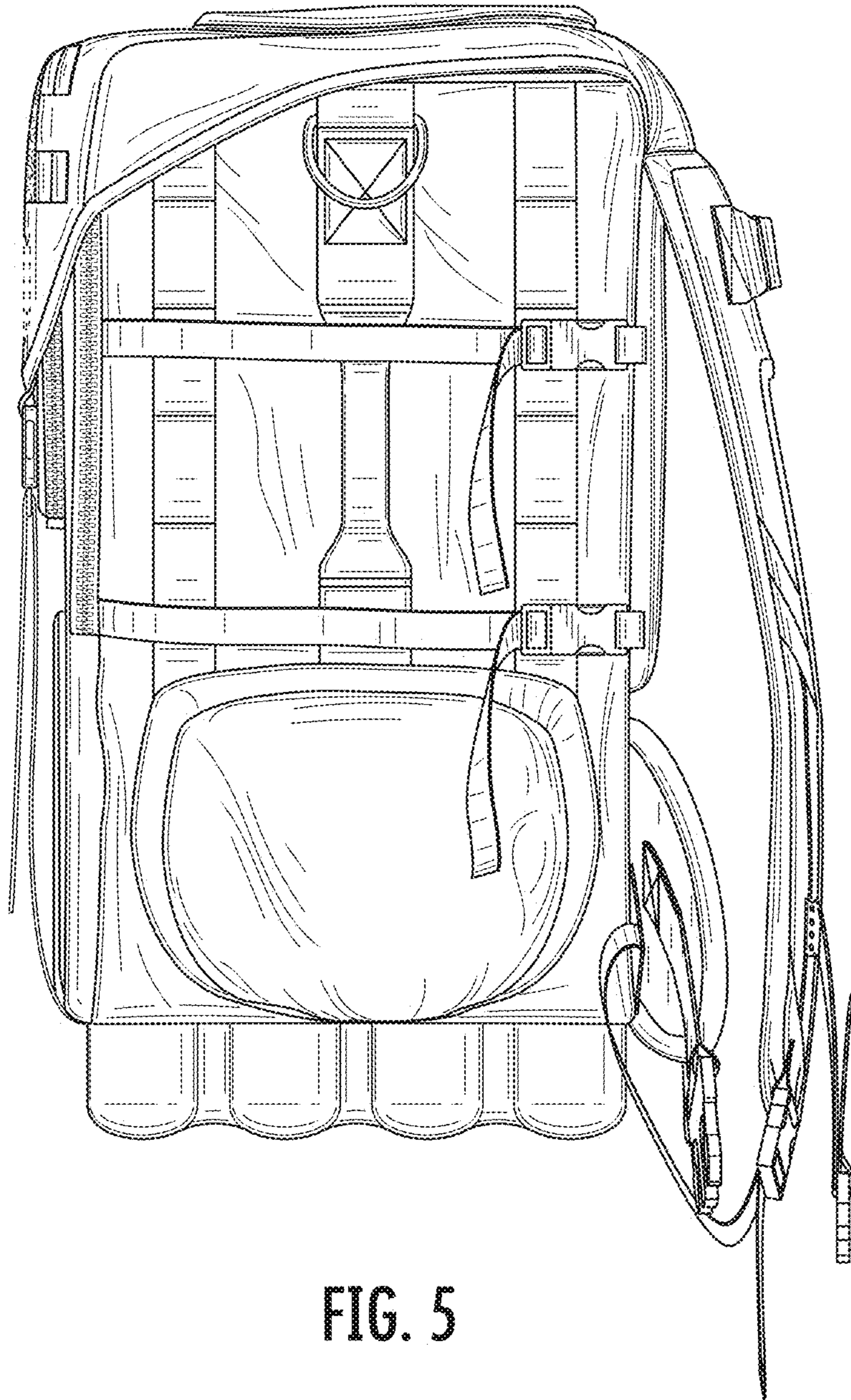


FIG. 5

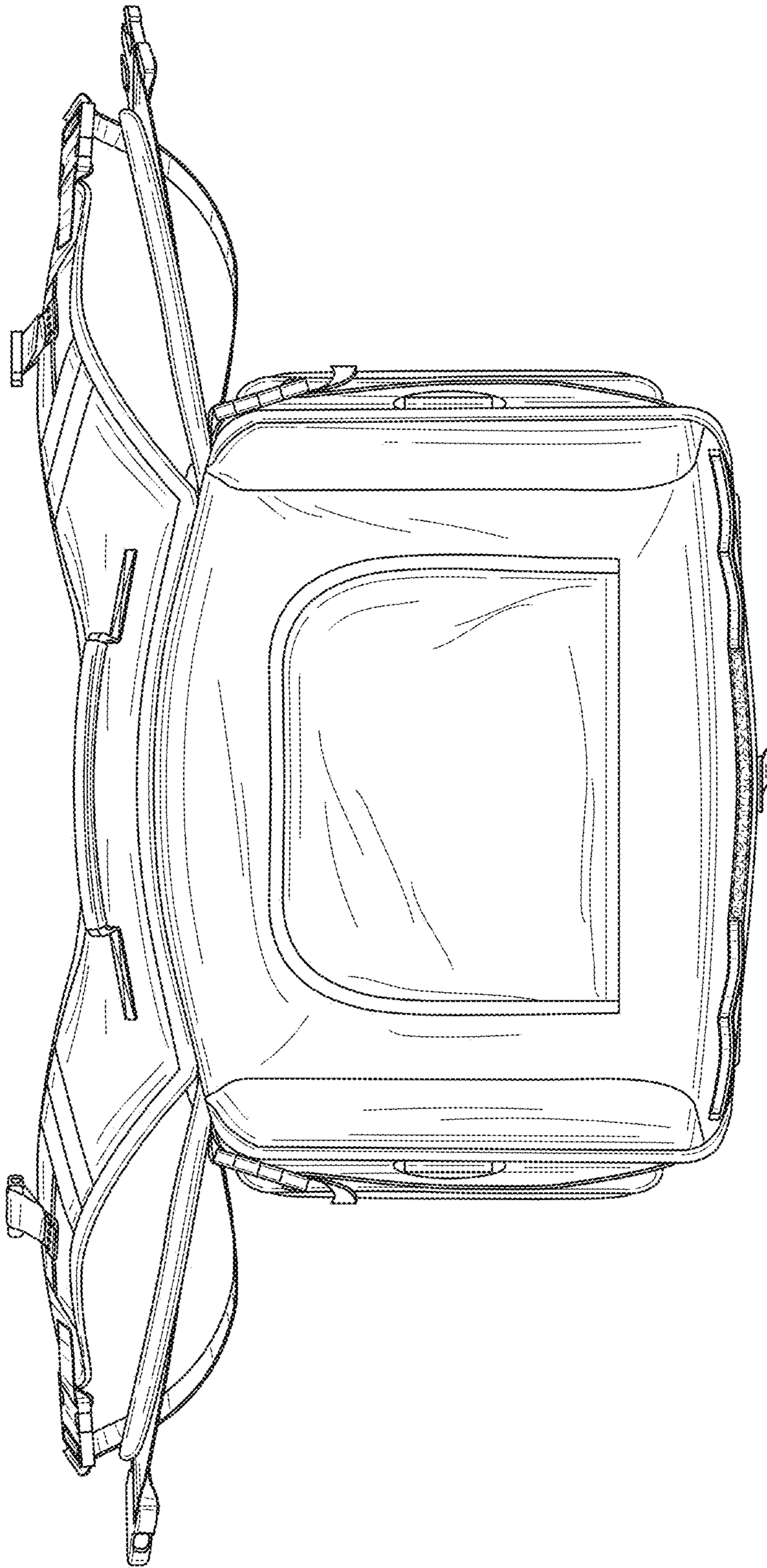


FIG. 6



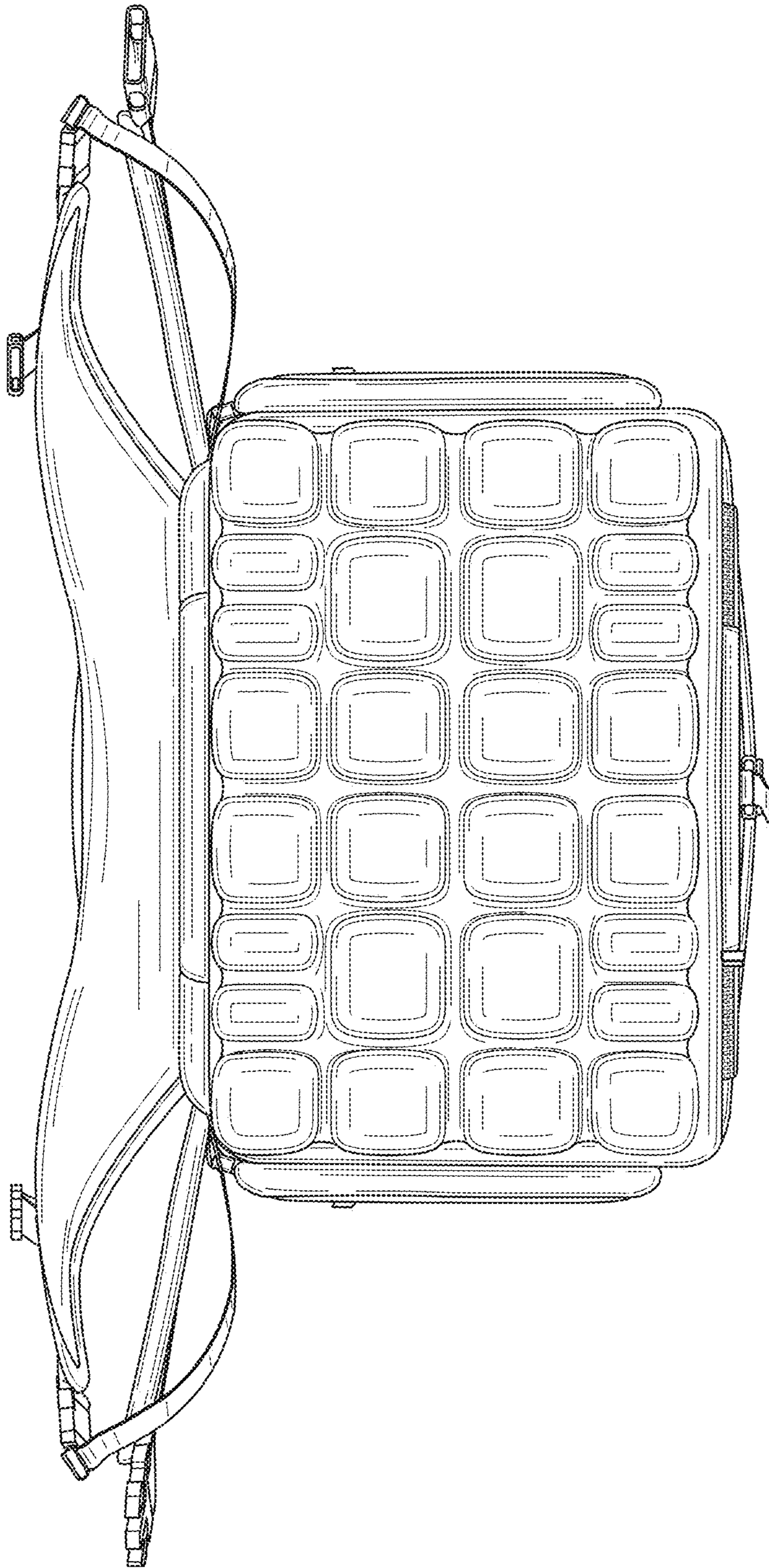


FIG. 7

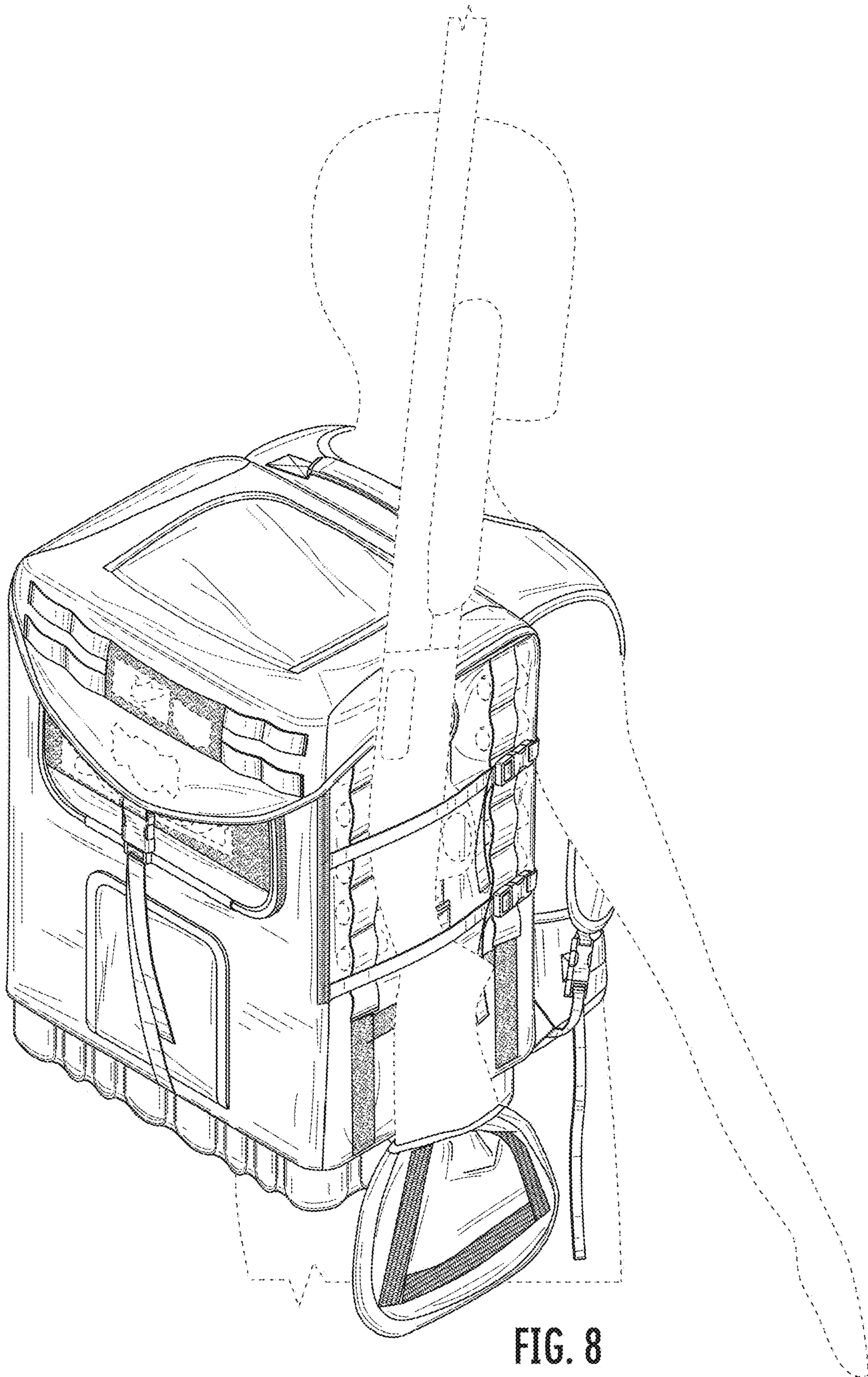


FIG. 8

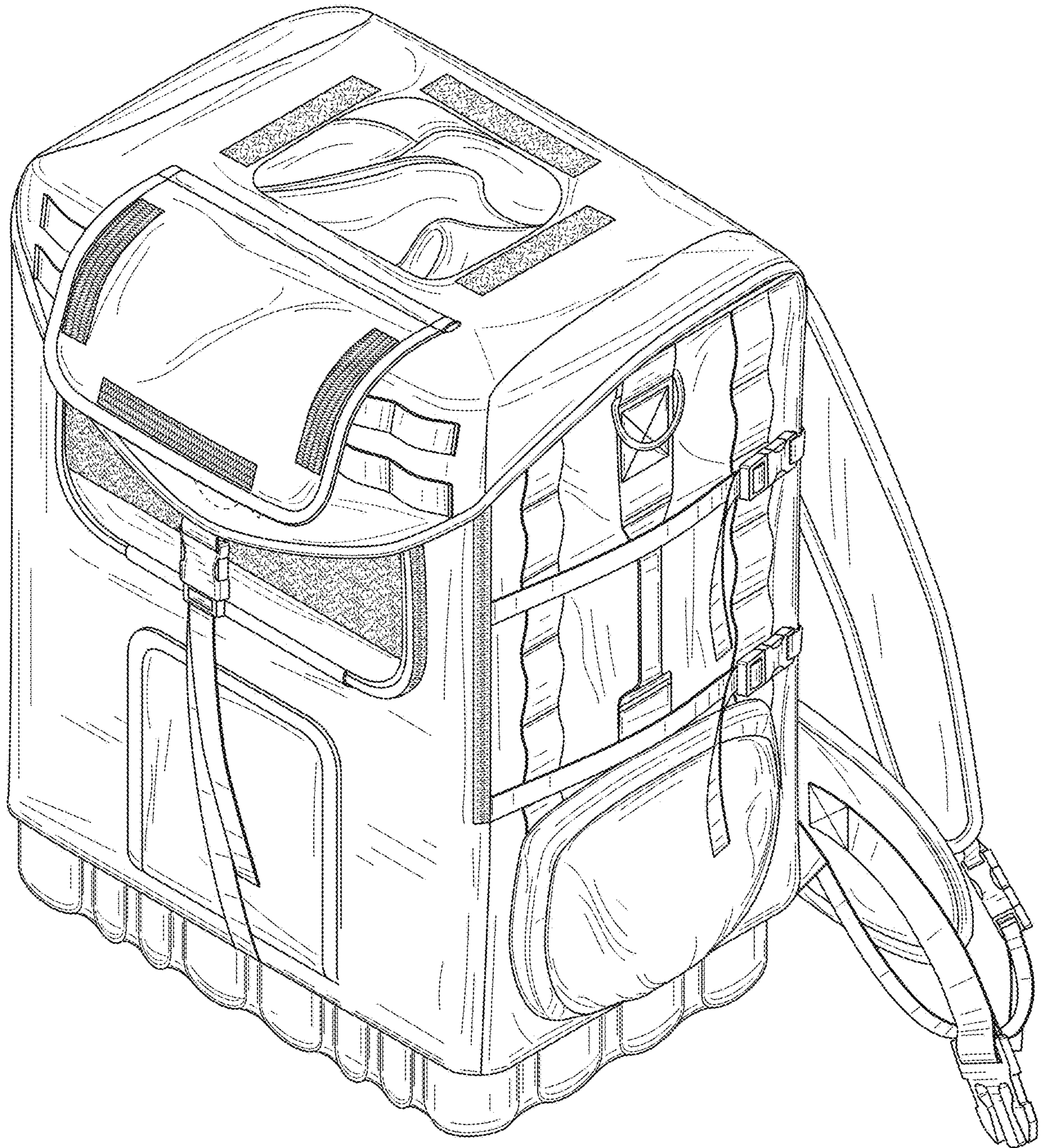


FIG. 9

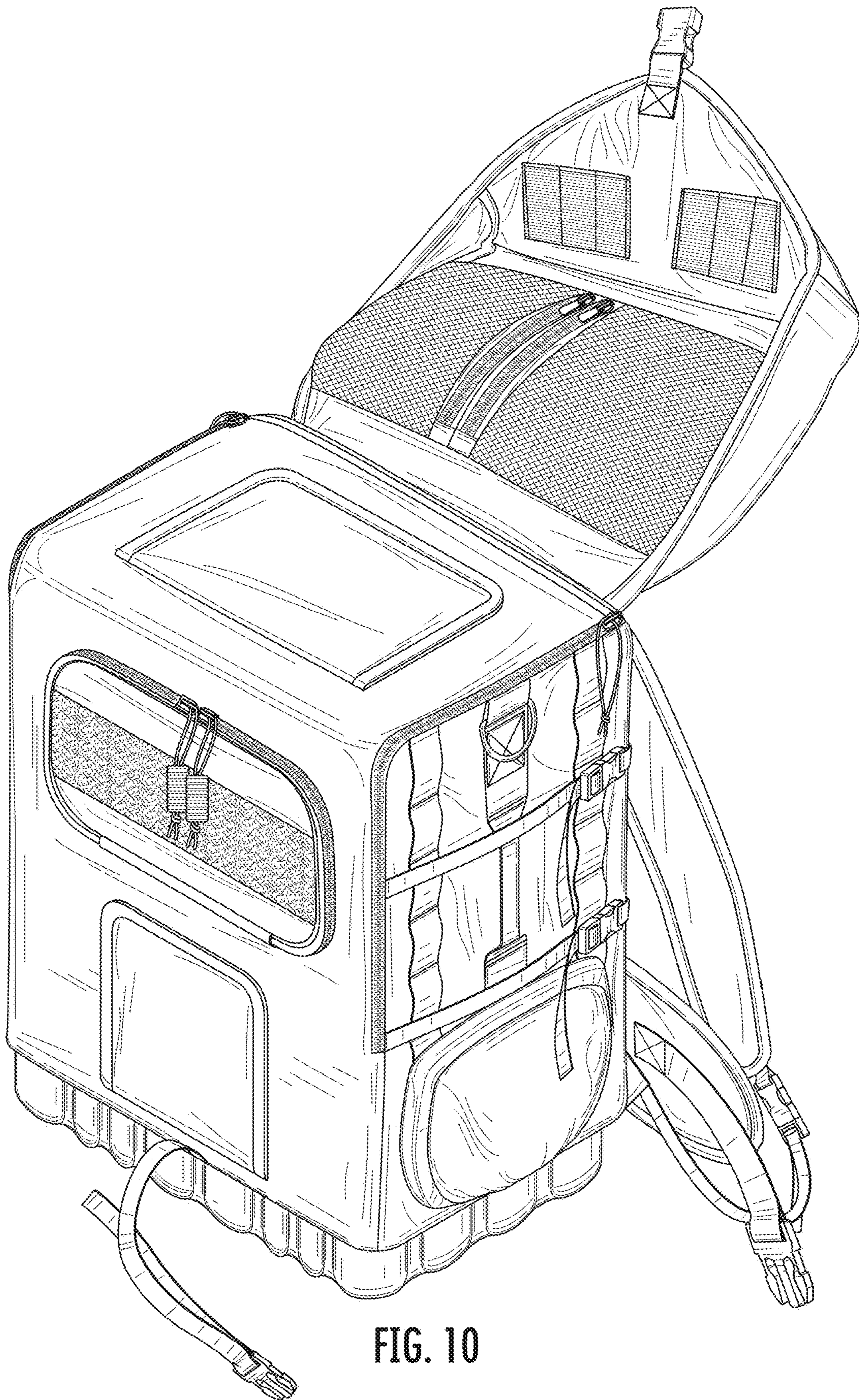


FIG. 10

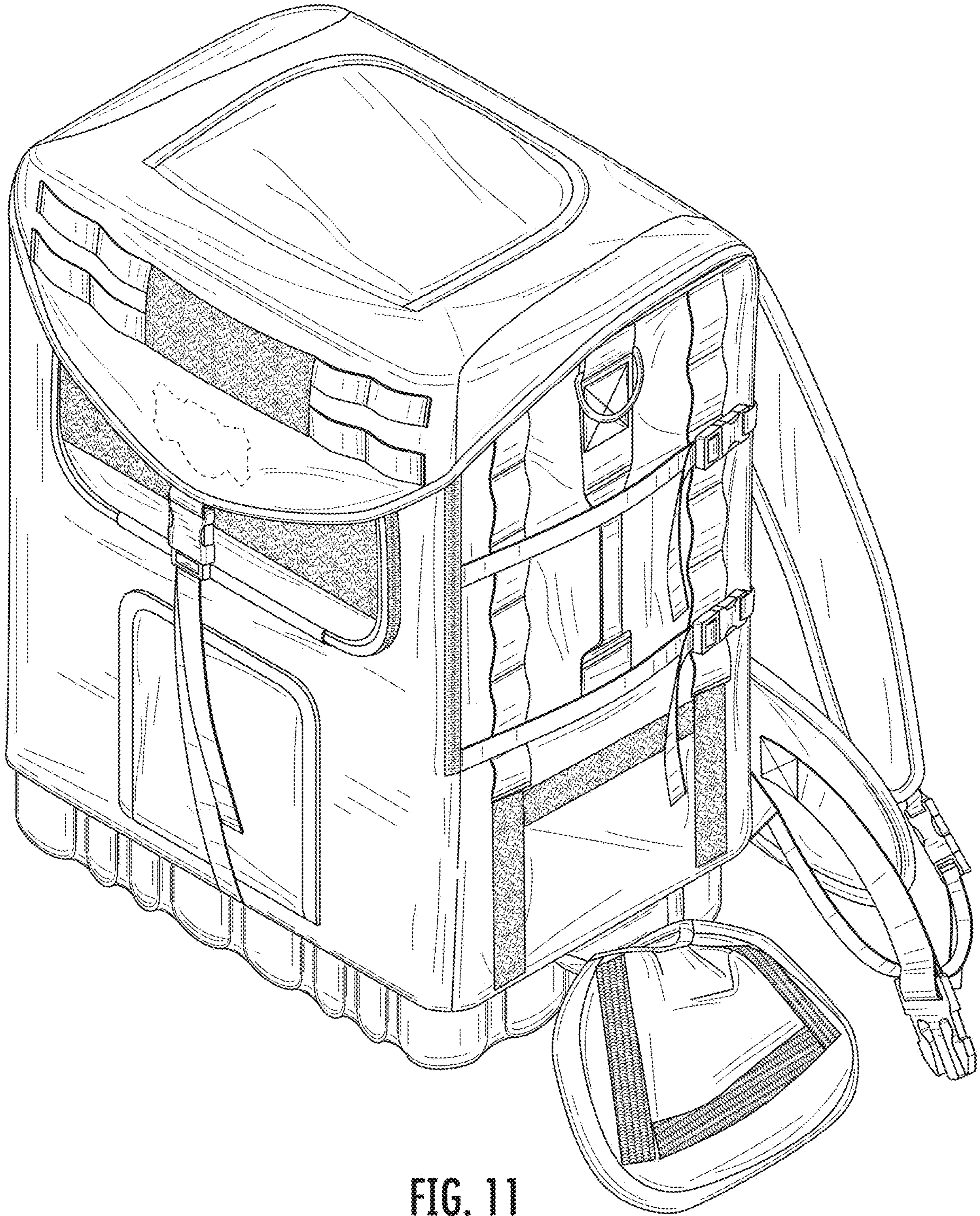


FIG. 11

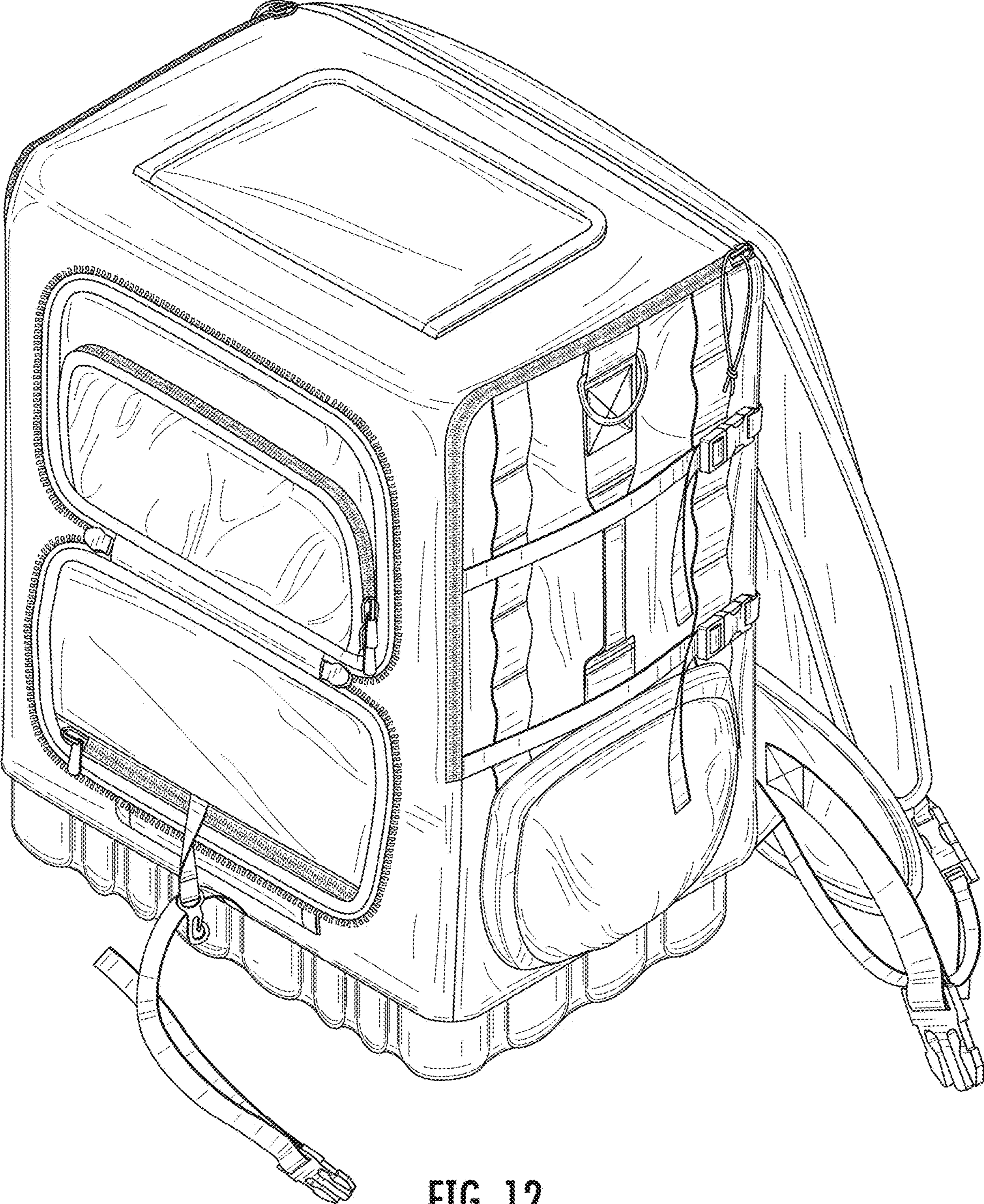


FIG. 12

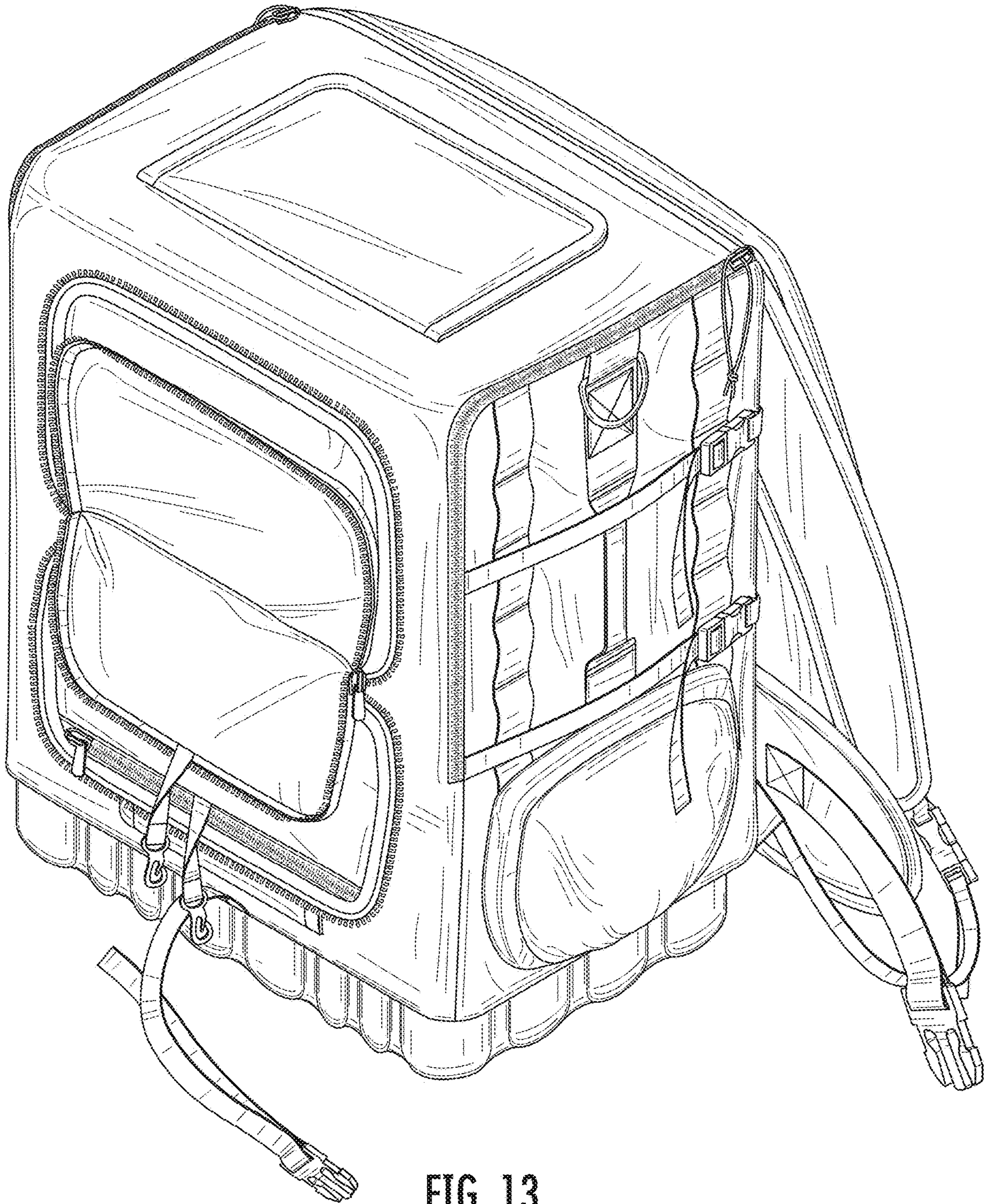


FIG. 13

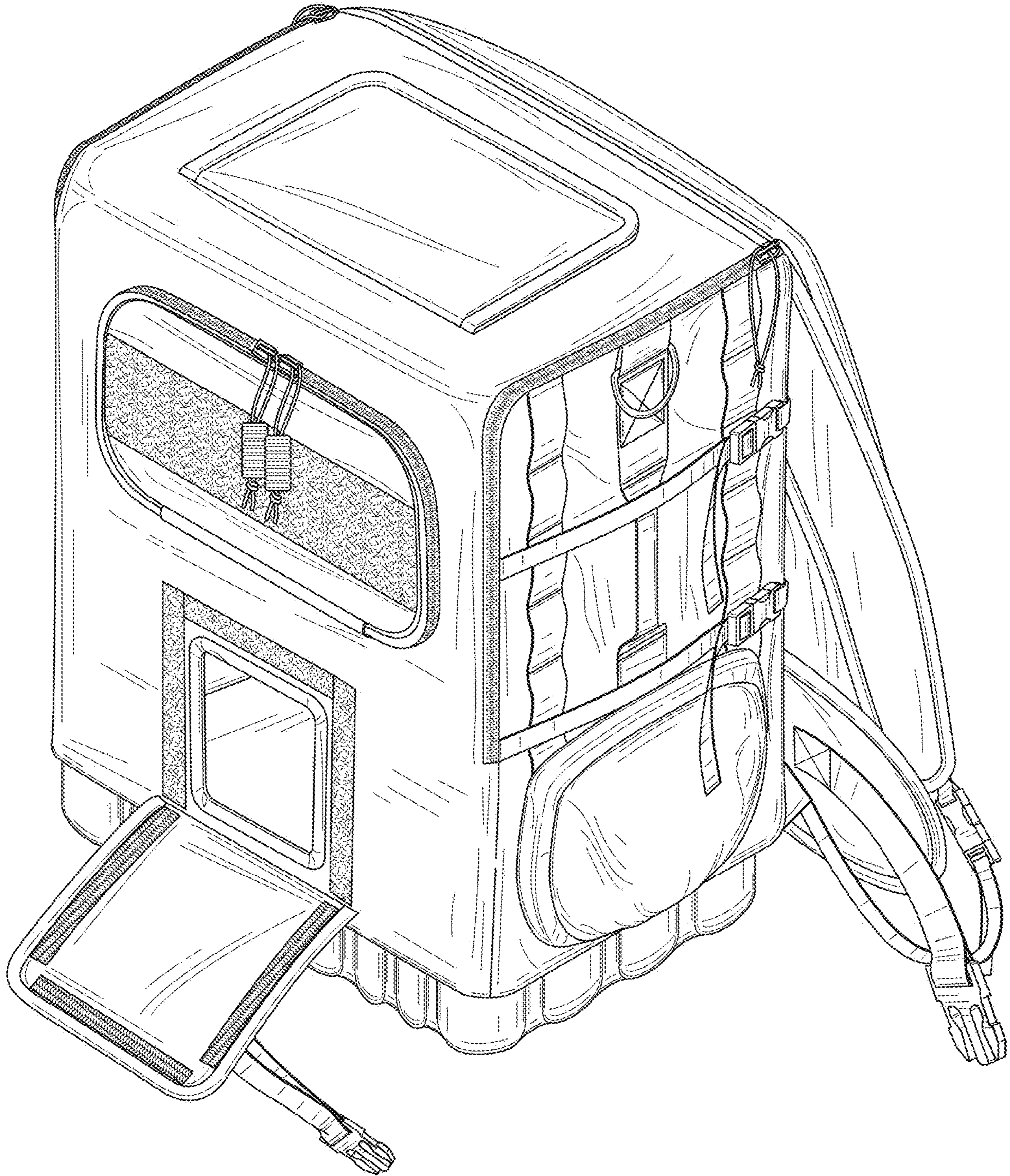


FIG. 14



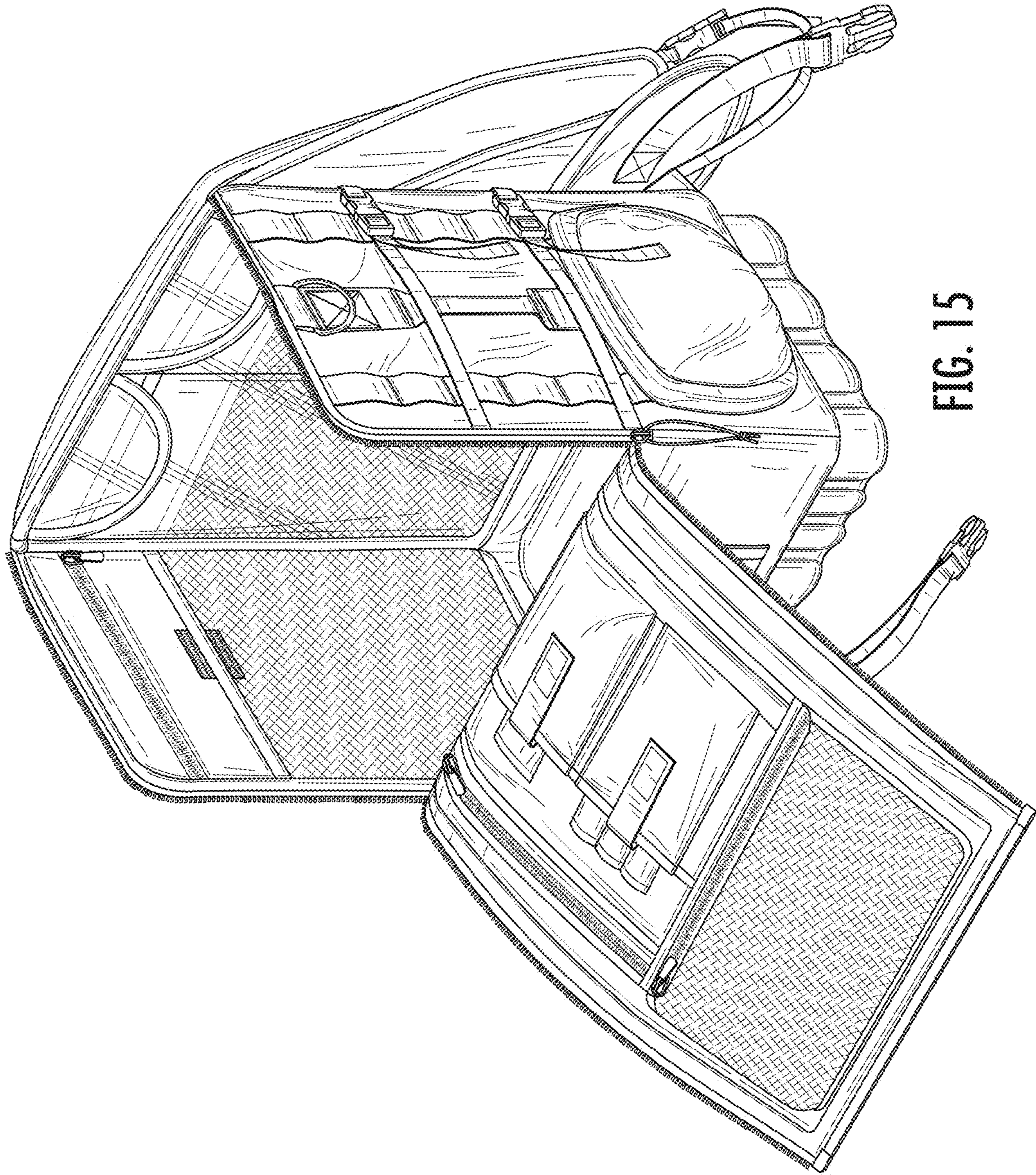


FIG. 15