



US00D899077S

(12) **United States Design Patent** (10) **Patent No.:** **US D899,077 S**  
**de Jonge et al.** (45) **Date of Patent:** **\*\* Oct. 20, 2020**

- (54) **HOLSTER** D420,216 S 2/2000 Birkbeck  
6,345,751 B1 \* 2/2002 Elliot ..... A45F 3/04  
224/640
- (71) Applicant: **Butterfly Network, Inc.**, Guilford, CT (US) D499,544 S \* 12/2004 Lodato ..... D3/218  
D502,313 S \* 3/2005 Lodato ..... D3/218  
D504,564 S \* 5/2005 Robertson, Jr. .... D3/218
- (72) Inventors: **Matthew de Jonge**, New York, NY (US); **Stephen Christopher**, Philadelphia, PA (US); **Jake Eisner**, New York, NY (US) D517,310 S \* 3/2006 Aron ..... D3/218  
D533,343 S 12/2006 Gringer  
D541,933 S 5/2007 White et al.  
D541,934 S \* 5/2007 Gomez ..... D24/128  
D547,863 S \* 7/2007 Heinsch ..... D24/128
- (73) Assignee: **Butterfly Network, Inc.**, Guilford, CT (US) 8,056,715 B2 11/2011 Conklin  
D762,058 S 7/2016 Moore  
D788,911 S \* 6/2017 Deutsch ..... A61M 1/0023  
D24/128
- (\*\*) Term: **15 Years** D789,681 S 6/2017 Grisamore  
D823,596 S 7/2018 Grisamore
- (21) Appl. No.: **29/668,113** D846,115 S \* 4/2019 Warn ..... D24/128  
D877,491 S \* 3/2020 Eynav ..... D3/215

(Continued)

- (22) Filed: **Oct. 26, 2018**
- (51) **LOC (12) Cl.** ..... **03-01**
- (52) **U.S. Cl.**  
USPC ..... **D3/215; D3/218**
- (58) **Field of Classification Search**  
USPC ..... D3/201, 215, 218–219, 228, 269, 301,  
D3/303; D14/250–251, 253; 224/197,  
224/219, 222, 231, 240, 242, 267–268,  
224/640, 669, 930; D24/122, 128, 131;  
D16/219; D6/567, 512–513, 540,  
D6/545–555; D7/631; D19/90; D30/101  
CPC ..... A45C 3/00; A45C 11/00; A45C 2011/002;  
A45F 5/02; A45F 5/021; A45F  
2200/0516; A01M 1/0023; F16M  
11/2028; H04B 1/385; Y10S 224/193;  
Y10S 224/929  
See application file for complete search history.

(56) **References Cited**

**U.S. PATENT DOCUMENTS**

- D282,489 S \* 2/1986 Huber ..... D24/122
- D313,507 S 1/1991 Sawyer
- D388,955 S 1/1998 Markiewicz

*Primary Examiner* — Catherine R Oliver-Garcia

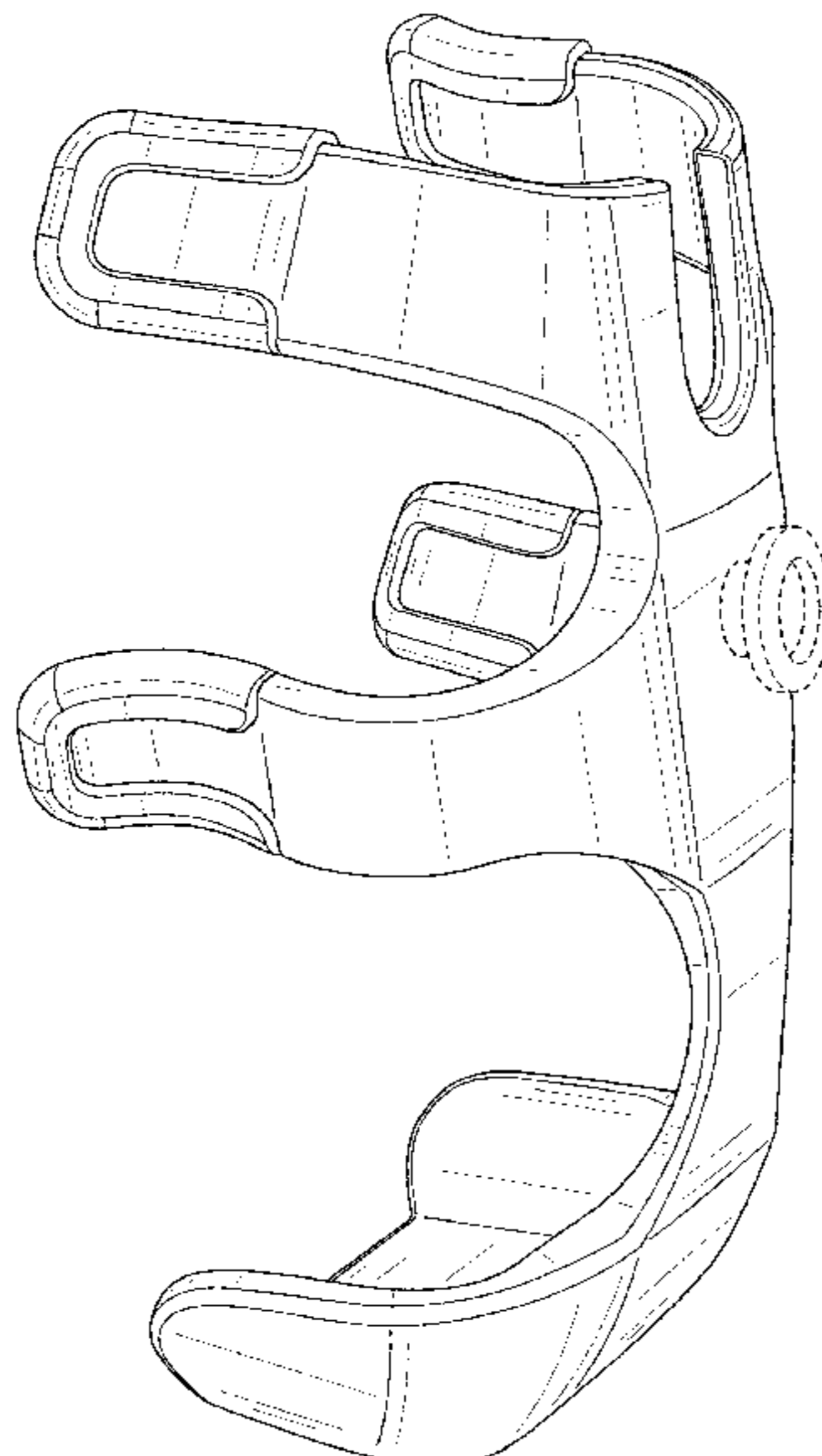
(57) **CLAIM**

The ornamental design for a holster, as shown and described.

**DESCRIPTION**

FIG. 1 is a top, rear and right side perspective view of a holster according to our new design.  
 FIG. 2 is a bottom, front, right side perspective view thereof with additional environment;  
 FIG. 3 is a rear elevation view thereof;  
 FIG. 4 is a front elevation view thereof;  
 FIG. 5 is a left side elevation view thereof;  
 FIG. 6 is a right side elevation view thereof;  
 FIG. 7 is a top plan view thereof; and,  
 FIG. 8 is a bottom plan view thereof.  
 The broken lines shown in FIGS. 1, 3, and 5-8 represent portions of the holster that form no part of the claimed design. The broken lines shown in FIG. 2 depict environmental structure and are included for illustrative purposes only and form no part of the claimed design.

**1 Claim, 8 Drawing Sheets**



(56)

**References Cited**

U.S. PATENT DOCUMENTS

D877,492 S \* 3/2020 Eynav ..... D3/215  
2006/0226182 A1 \* 10/2006 Dittmar ..... A45F 5/02  
224/197  
2006/0237494 A1 \* 10/2006 Fichera ..... H04B 1/385  
224/197  
2008/0110946 A1 \* 5/2008 Dixon ..... A45F 5/02  
224/197  
2015/0032002 A1 1/2015 Rothberg et al.  
2017/0035170 A1 \* 2/2017 Rayner ..... F16M 11/2028  
2017/0360397 A1 12/2017 Rothberg et al.

\* cited by examiner

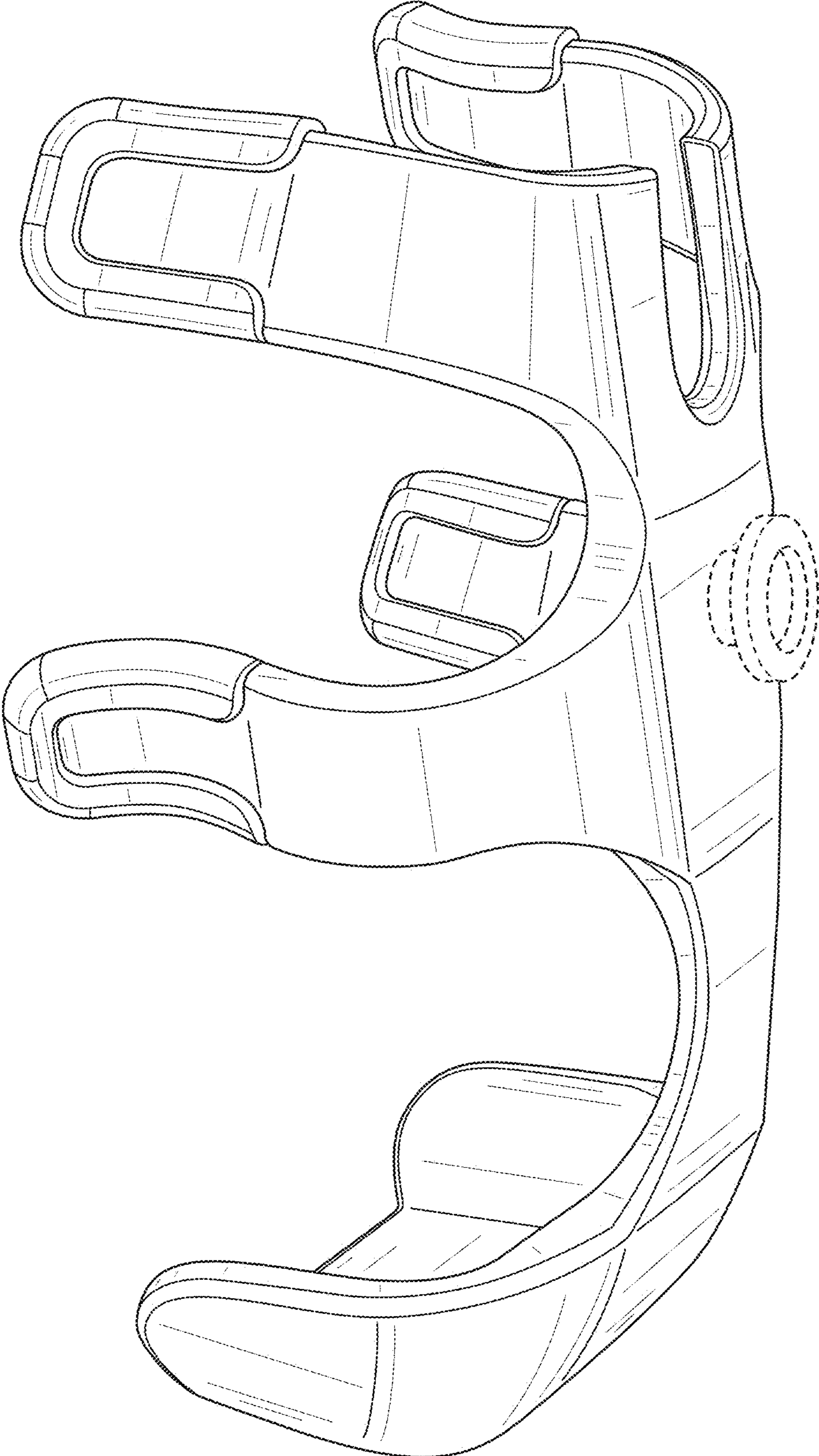


FIG. 1

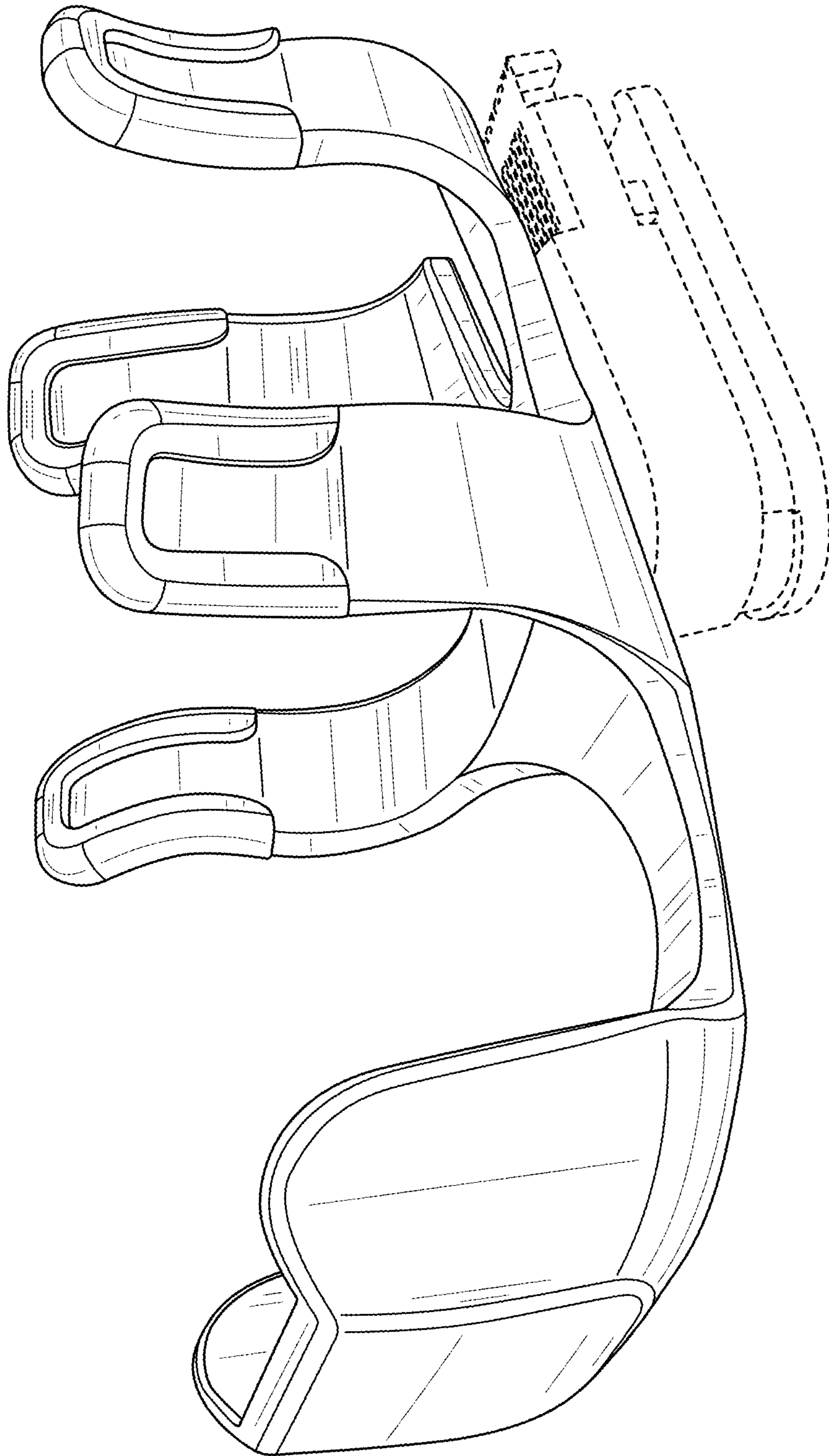


FIG. 2



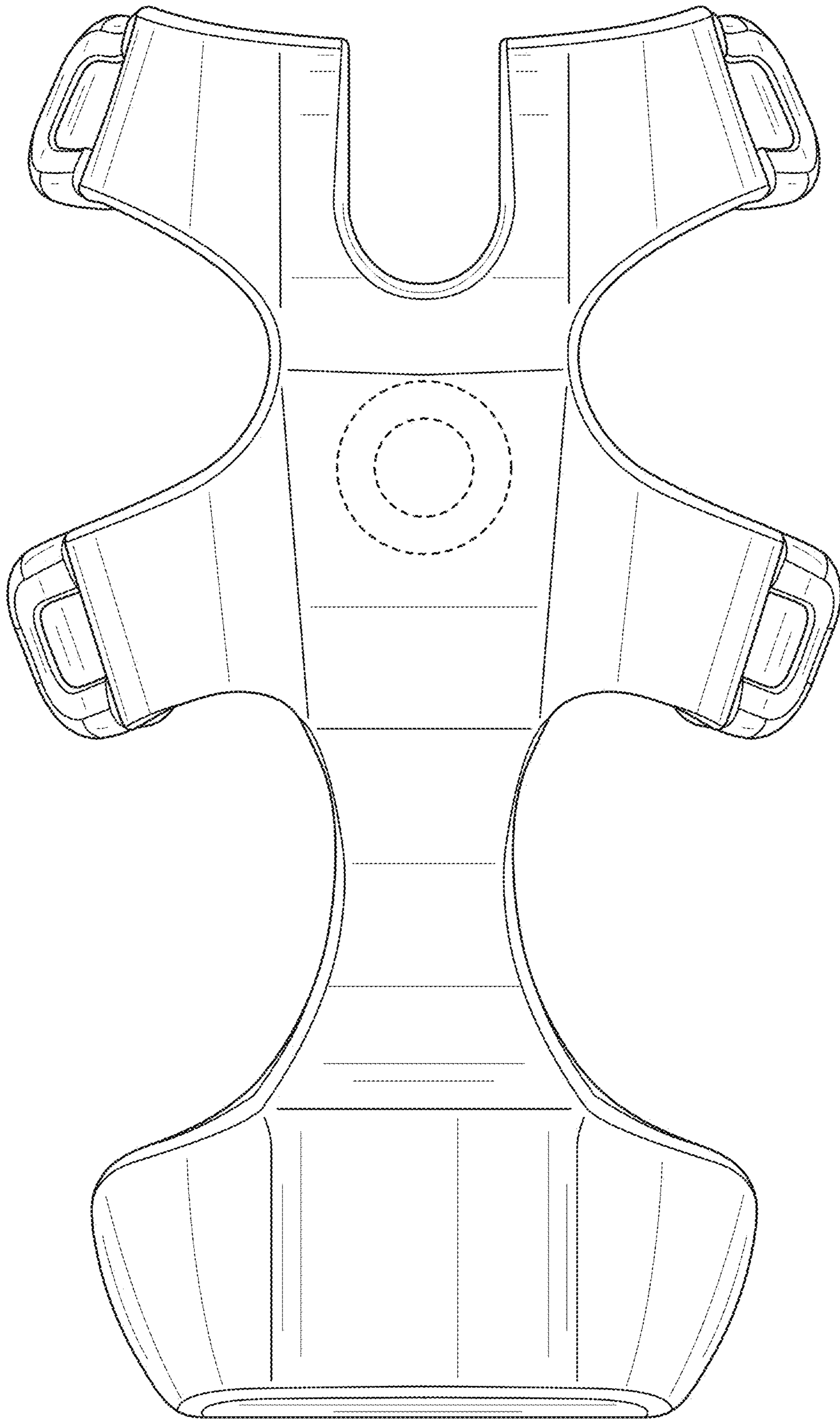


FIG. 3

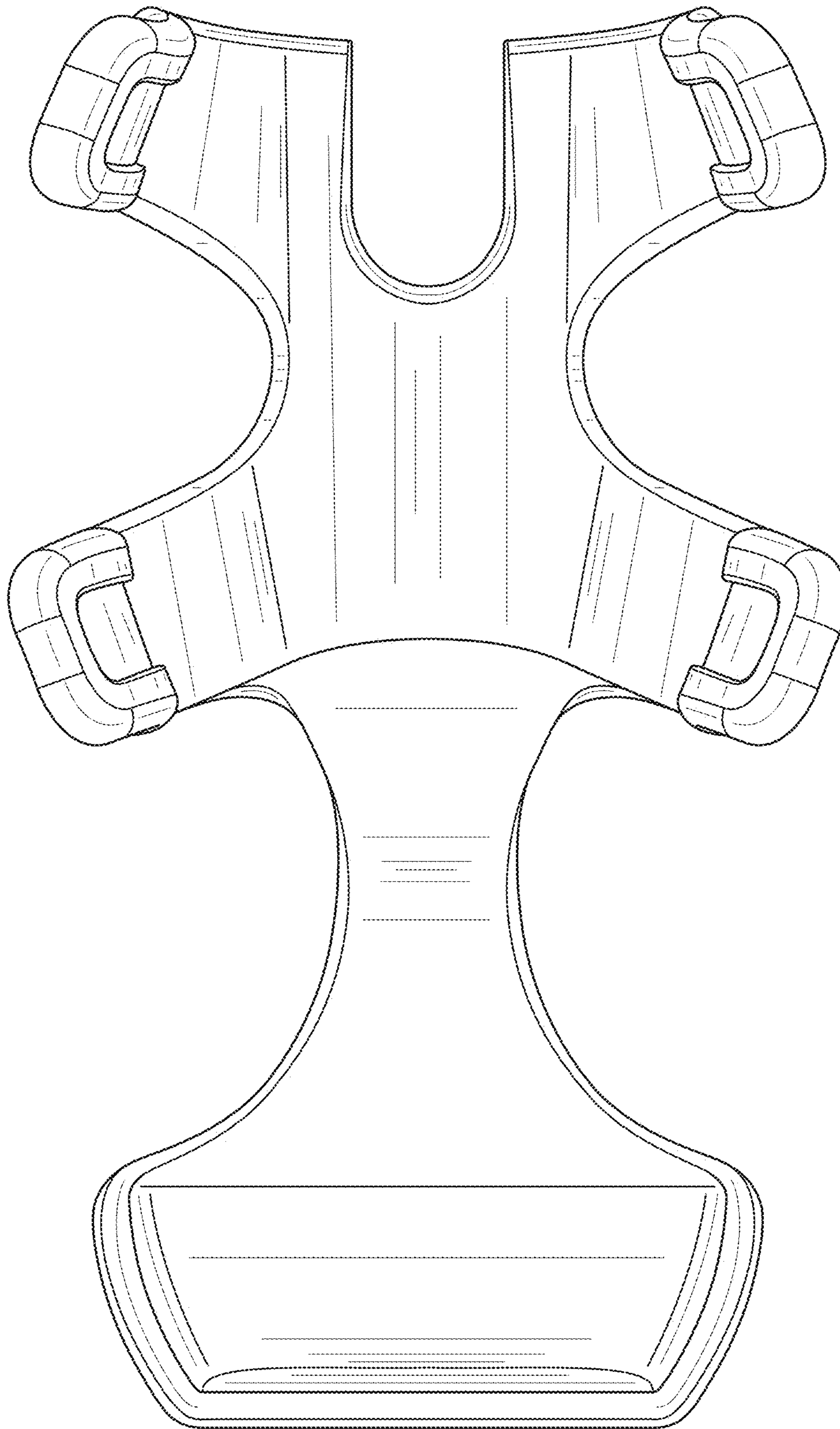


FIG. 4

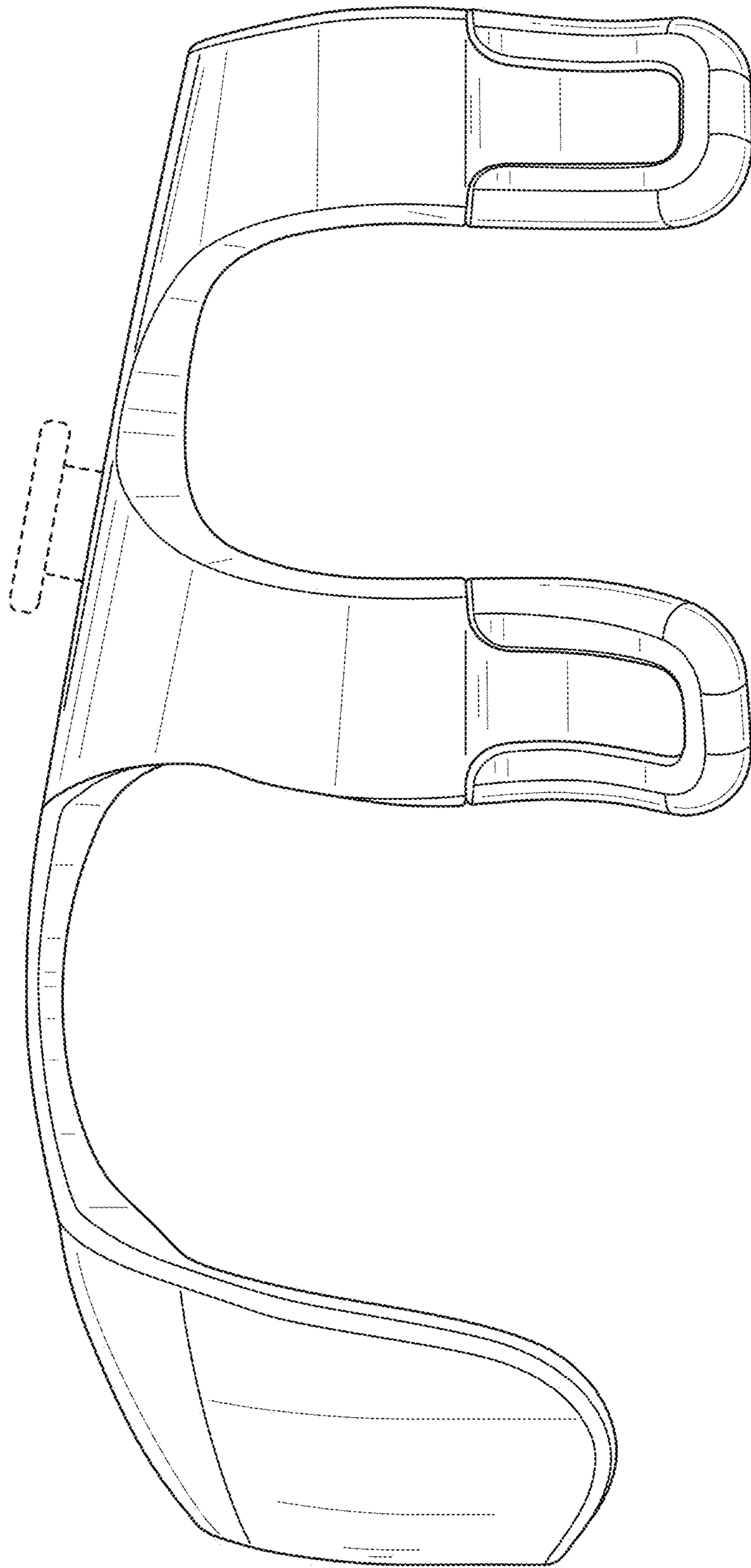


FIG. 5

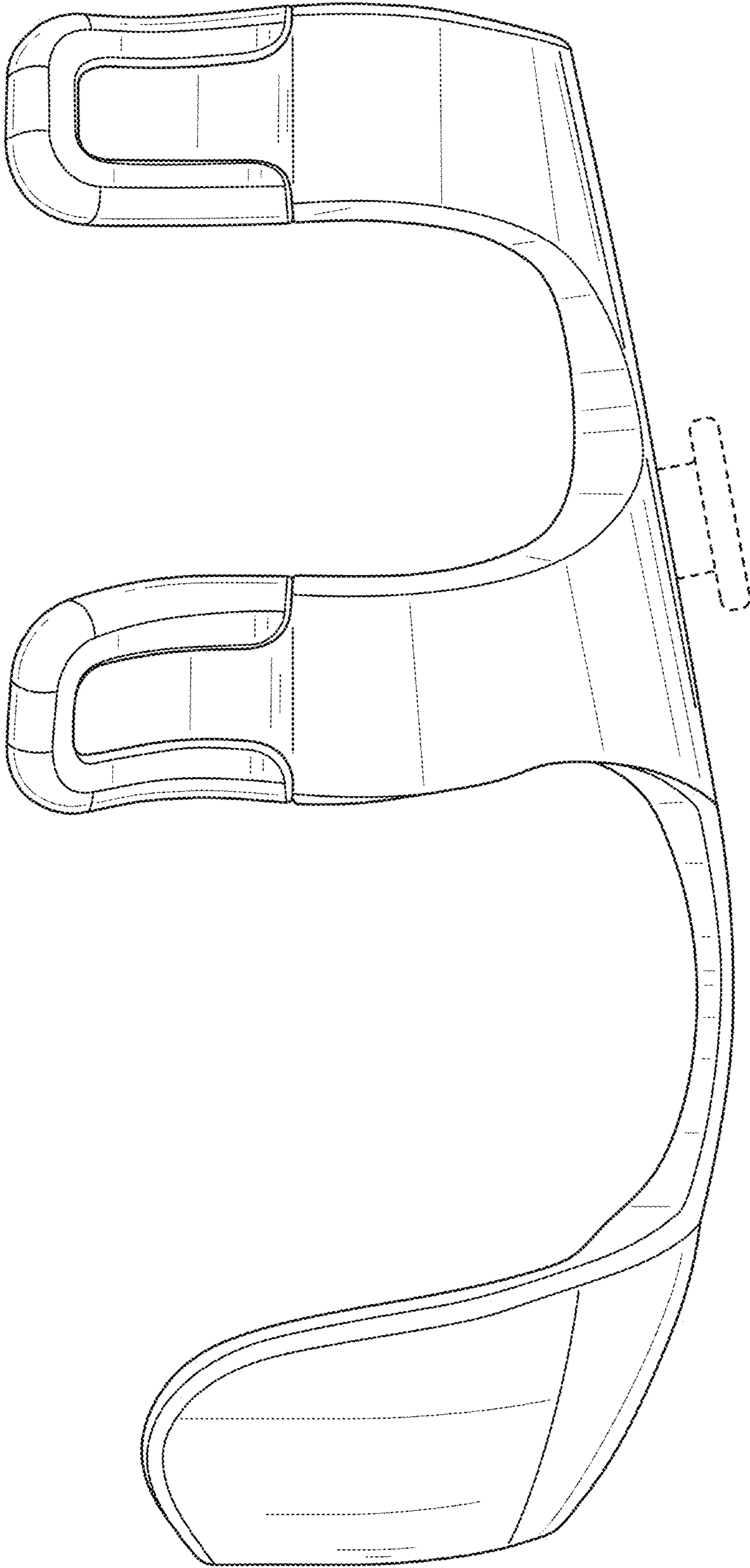


FIG. 6



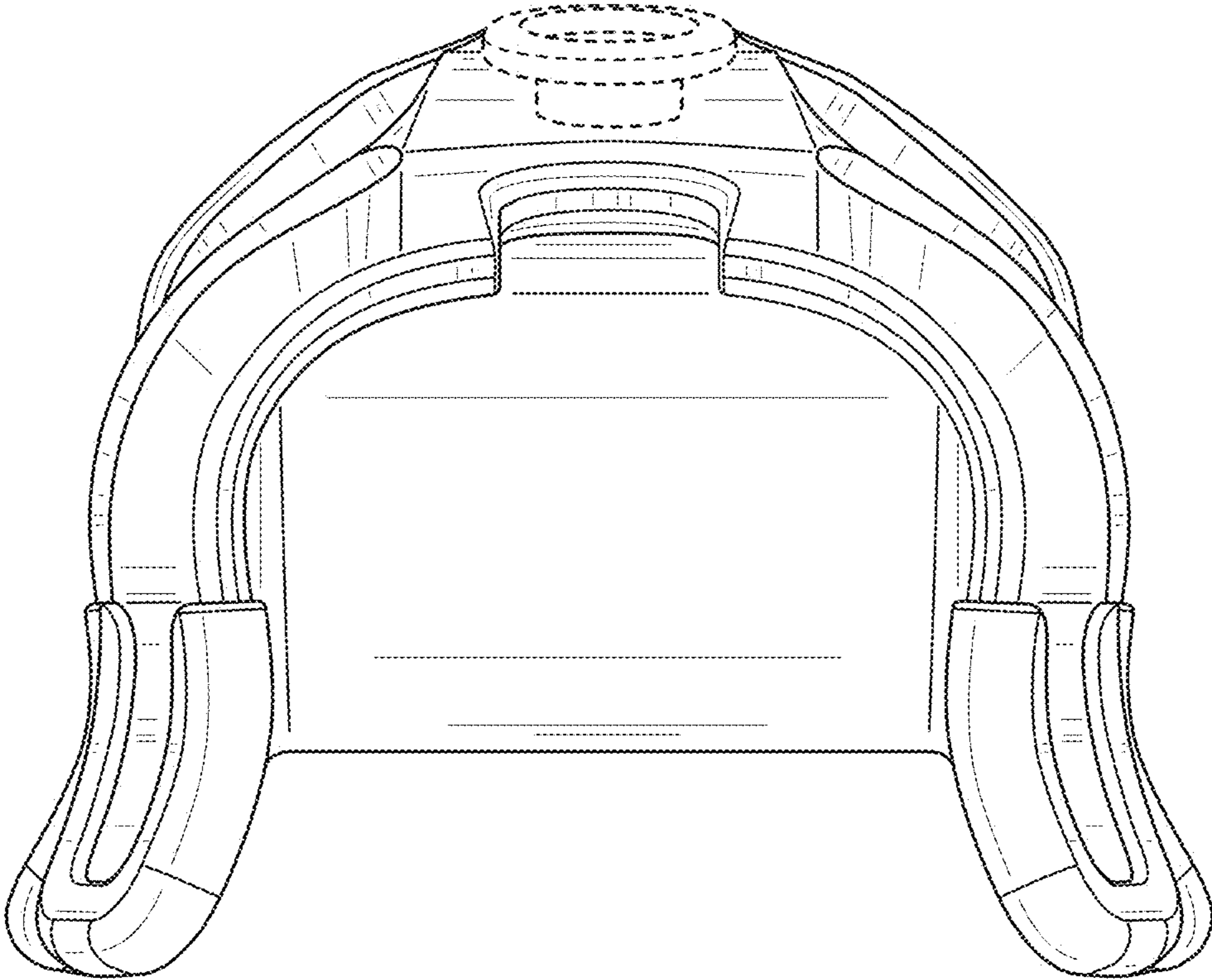


FIG. 7

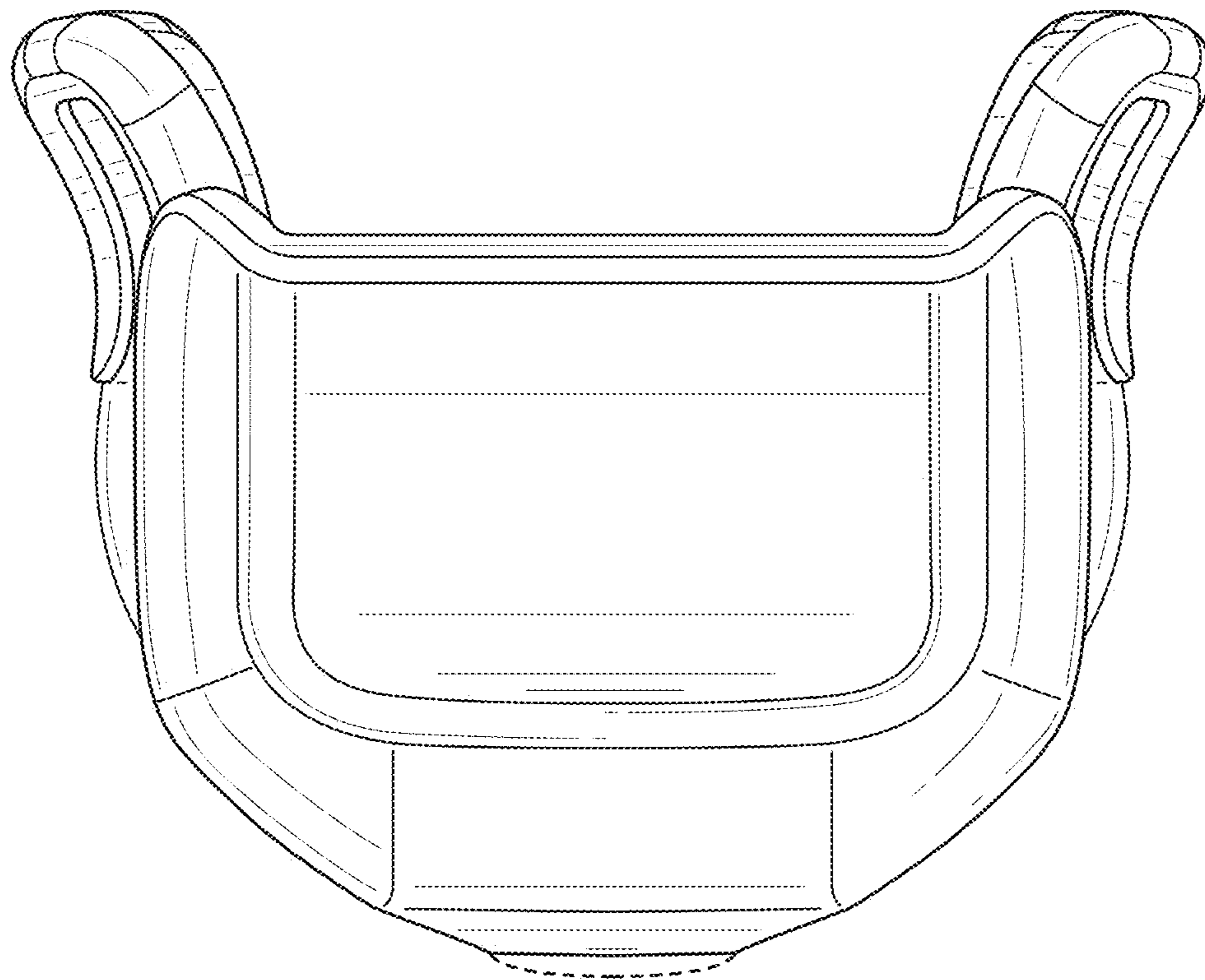


FIG. 8