

US00D899074S

(12) **United States Design Patent** (10) **Patent No.:** **US D899,074 S**  
**Roy** (45) **Date of Patent:** **\*\* Oct. 20, 2020**

(54) **FEMININE HYGIENE EMERGENCY HOLDER**  
(71) Applicant: **April Roy**, Little Rock, AR (US)  
(72) Inventor: **April Roy**, Little Rock, AR (US)  
(\*\*) Term: **15 Years**  
(21) Appl. No.: **29/710,204**  
(22) Filed: **Oct. 21, 2019**  
(51) **LOC (12) Cl.** ..... **03-01**  
(52) **U.S. Cl.**  
USPC ..... **D3/203.5**  
(58) **Field of Classification Search**  
USPC ..... D3/201, 203.1, 203.2, 203.3, 203.4,  
D3/203.5, 203.6, 203.7, 203.8, 205, 273,  
D3/294; D9/414, 430, 432, 433  
CPC ..... B65D 5/00; B65D 5/2033; B65D 1/22;  
B65D 1/24; B65D 5/0085; A45F 5/00;  
A45C 11/00; A45C 11/008; A45C 11/24;  
A45C 13/02  
See application file for complete search history.

(56) **References Cited**

**U.S. PATENT DOCUMENTS**

1,811,478 A \* 6/1931 Seckendorf ..... B65D 5/2033  
229/109  
2,100,773 A \* 11/1937 Boeye ..... B65D 5/12  
229/5.7  
2,239,571 A \* 4/1941 Ray ..... B65D 5/2033  
229/109  
2,517,552 A \* 8/1950 Field ..... B65D 5/10  
229/110  
2,751,138 A \* 6/1956 Laver ..... B65D 5/2033  
229/109  
2,819,833 A \* 1/1958 Sauer ..... B65D 5/2033  
229/109  
3,174,675 A \* 3/1965 Rosenburg, Jr. .... B65D 5/3614  
229/108.1

3,204,849 A \* 9/1965 Vinney ..... B65D 77/065  
229/210  
3,977,594 A \* 8/1976 Swan ..... B65D 5/06  
229/109  
4,013,168 A \* 3/1977 Bamberg ..... B65D 5/2033  
206/386

(Continued)

*Primary Examiner* — Steven J Czyz  
(74) *Attorney, Agent, or Firm* — Rashauna Norment

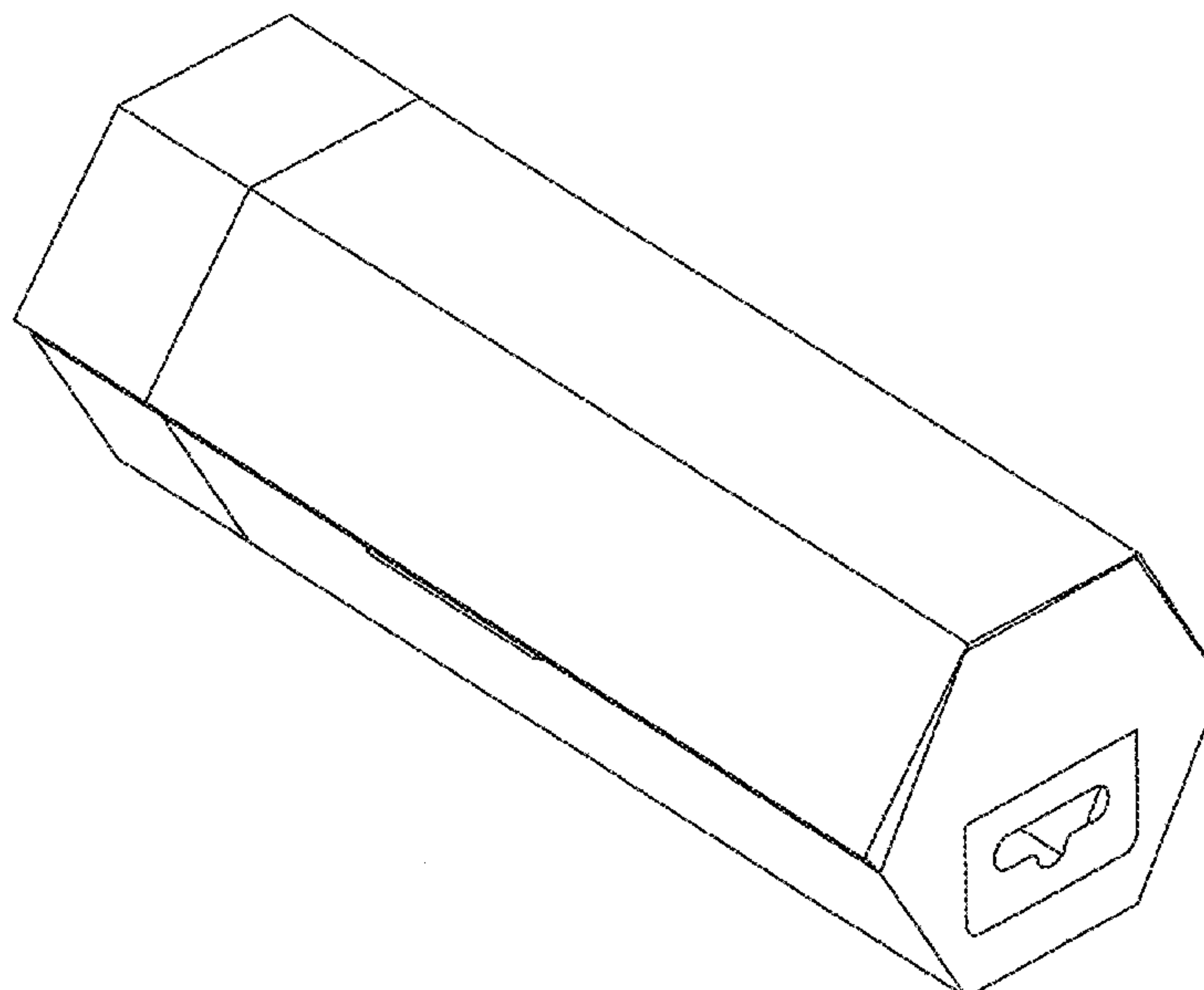
(57) **CLAIM**

The ornamental design for a feminine hygiene emergency holder, as shown and described.

**DESCRIPTION**

FIG. 1 is a perspective view of a feminine hygiene emergency holder, showing my new design in a closed configuration;  
FIG. 2 is a top plan view of FIG. 1 thereof;  
FIG. 3 is a bottom plan view of FIG. 1 thereof;  
FIG. 4 is a front elevation view of FIG. 1 thereof;  
FIG. 5 is a rear elevation view of FIG. 1 thereof;  
FIG. 6 is a left side elevation view of FIG. 1 thereof;  
FIG. 7 is a right side elevation view of FIG. 1 thereof;  
FIG. 8 is another perspective view of FIG. 1 thereof, showing the feminine hygiene emergency holder in an open configuration and in use holding feminine hygiene products;  
FIG. 9 is another perspective view of FIG. 8 thereof, showing the feminine hygiene emergency holder empty;  
FIG. 10 is a top plan view of FIG. 9 thereof;  
FIG. 11 is a bottom plan view of FIG. 9 thereof;  
FIG. 12 is a front elevation view of FIG. 9 thereof;  
FIG. 13 is a rear elevation view of FIG. 9 thereof;  
FIG. 14 is a left side elevation view of FIG. 9 thereof; and,  
FIG. 15 is a right side elevation view of FIG. 9 thereof.  
The broken lines depict environment that forms no part of the claimed design.

**1 Claim, 14 Drawing Sheets**



(56)

References Cited

U.S. PATENT DOCUMENTS

4,054,241 A \* 10/1977 Meyers ..... B65D 5/2033  
 229/109  
 4,166,567 A \* 9/1979 Beach, Jr. .... B65D 5/18  
 229/108.1  
 4,234,080 A \* 11/1980 Gellert ..... B65D 1/00  
 206/0.82  
 4,341,337 A \* 7/1982 Beach, Jr. .... B65D 5/18  
 229/108.1  
 D267,702 S \* 1/1983 Swann ..... D9/424  
 4,418,862 A \* 12/1983 Vesborg ..... B65D 5/0254  
 229/110  
 D273,403 S \* 4/1984 DeLuca ..... D21/392  
 4,964,526 A \* 10/1990 Stephens ..... A45C 11/24  
 132/315  
 D329,328 S \* 9/1992 Stephens ..... D28/78  
 5,226,587 A \* 7/1993 Eisman ..... B65D 5/64  
 229/110  
 D348,609 S \* 7/1994 Eisman ..... D9/423  
 D370,337 S \* 6/1996 Hodson ..... D3/201  
 5,730,294 A \* 3/1998 Blosser et al.  
 D399,540 S \* 10/1998 Wolfenstein ..... D21/392  
 5,878,873 A \* 3/1999 Clark ..... A45C 11/04  
 206/6  
 D426,381 S \* 6/2000 Au ..... D3/201  
 D427,424 S \* 7/2000 Conway ..... D3/203.5  
 D432,784 S \* 10/2000 Conway ..... D3/203.5  
 D464,882 S \* 10/2002 Weinstein ..... D9/430  
 D481,945 S \* 11/2003 Jarvinen ..... D9/433

D484,681 S \* 1/2004 Eldon, III ..... D3/203.5  
 D494,359 S \* 8/2004 Eldon, III ..... D3/203.5  
 D495,247 S \* 8/2004 Keberlein ..... D9/418  
 D502,646 S \* 3/2005 Postulka ..... D9/430  
 D516,809 S \* 3/2006 Tagliati ..... D3/273  
 7,144,391 B1 12/2006 Kreutz et al.  
 7,314,135 B1 \* 1/2008 Drotar ..... A45C 11/008  
 206/459.1  
 D599,675 S \* 9/2009 Premo ..... D9/687  
 D640,133 S \* 6/2011 Jones ..... D9/430  
 D677,047 S \* 3/2013 Watson ..... D3/203.5  
 D679,148 S \* 4/2013 Schwartz ..... D7/629  
 D693,675 S \* 11/2013 Staller ..... D9/430  
 D698,242 S \* 1/2014 Hartman ..... D9/430  
 D728,216 S \* 5/2015 Click ..... D3/203.5  
 D728,217 S \* 5/2015 Click ..... D3/203.5  
 9,320,344 B2 \* 4/2016 Barbier ..... A45C 11/00  
 D756,104 S \* 5/2016 Higgs-Jackson ..... D3/203.5  
 D764,278 S \* 8/2016 Tulin ..... D9/430  
 D764,909 S \* 8/2016 Tulin ..... D9/430  
 D766,718 S \* 9/2016 Beckers ..... D9/433  
 D772,055 S \* 11/2016 O'Dowd ..... D9/430  
 D772,056 S \* 11/2016 O'Dowd ..... D9/430  
 D782,814 S \* 4/2017 Hernandez ..... D3/203.5  
 D782,815 S \* 4/2017 Hernandez ..... D3/203.5  
 D793,717 S \* 8/2017 Boljat ..... D3/205  
 D808,152 S \* 1/2018 Giannopoulos ..... D3/203.1  
 D823,594 S \* 7/2018 Newman ..... D3/203.5  
 D849,530 S \* 5/2019 Fremgen ..... D9/430  
 D861,324 S \* 10/2019 Egge ..... D3/203.2  
 D866,164 S \* 11/2019 Chen ..... D3/205

\* cited by examiner

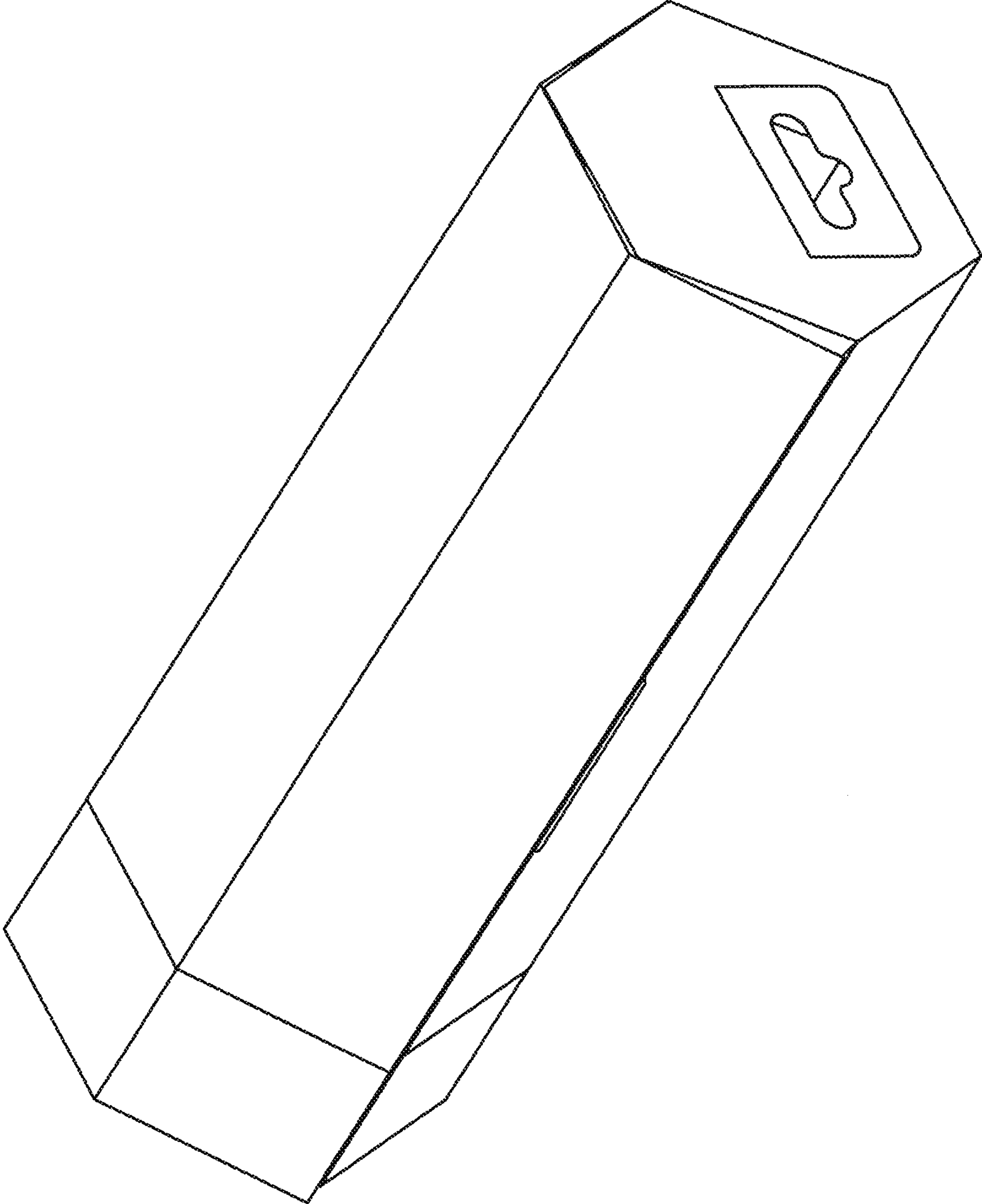


FIG. 1

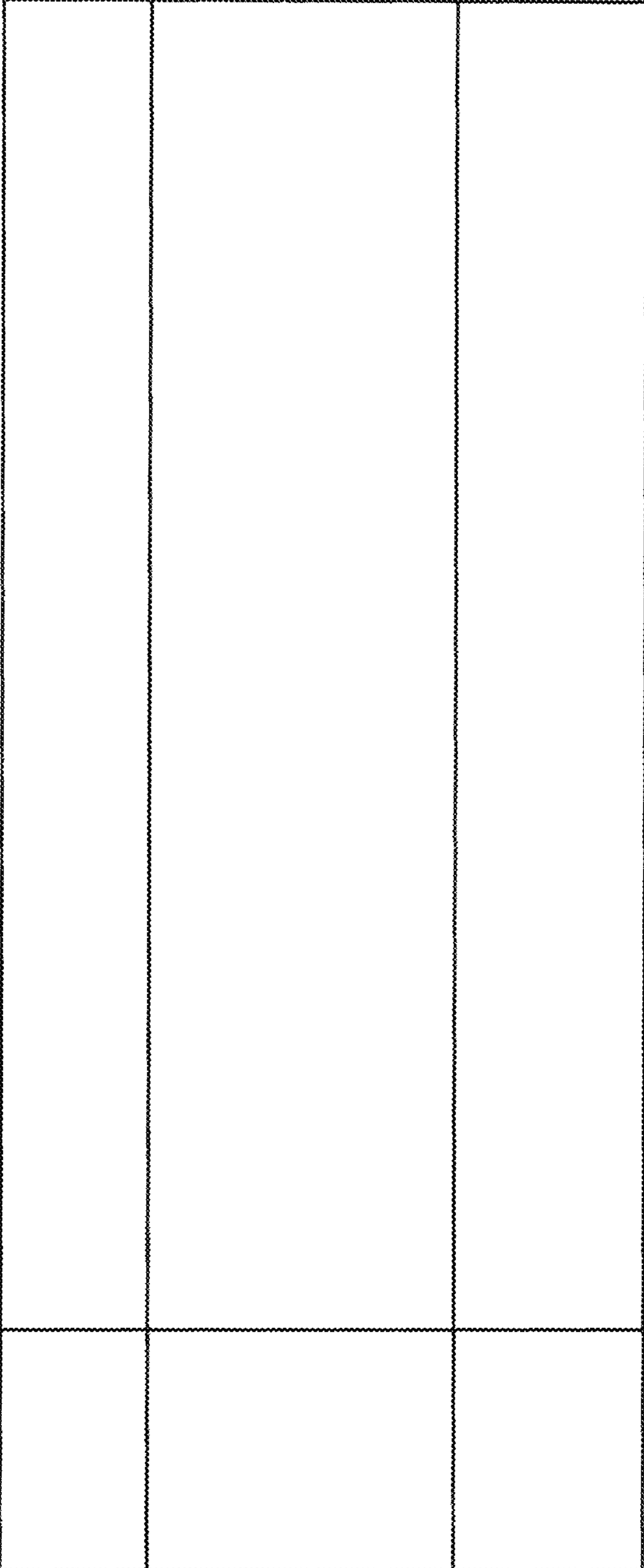


FIG. 2



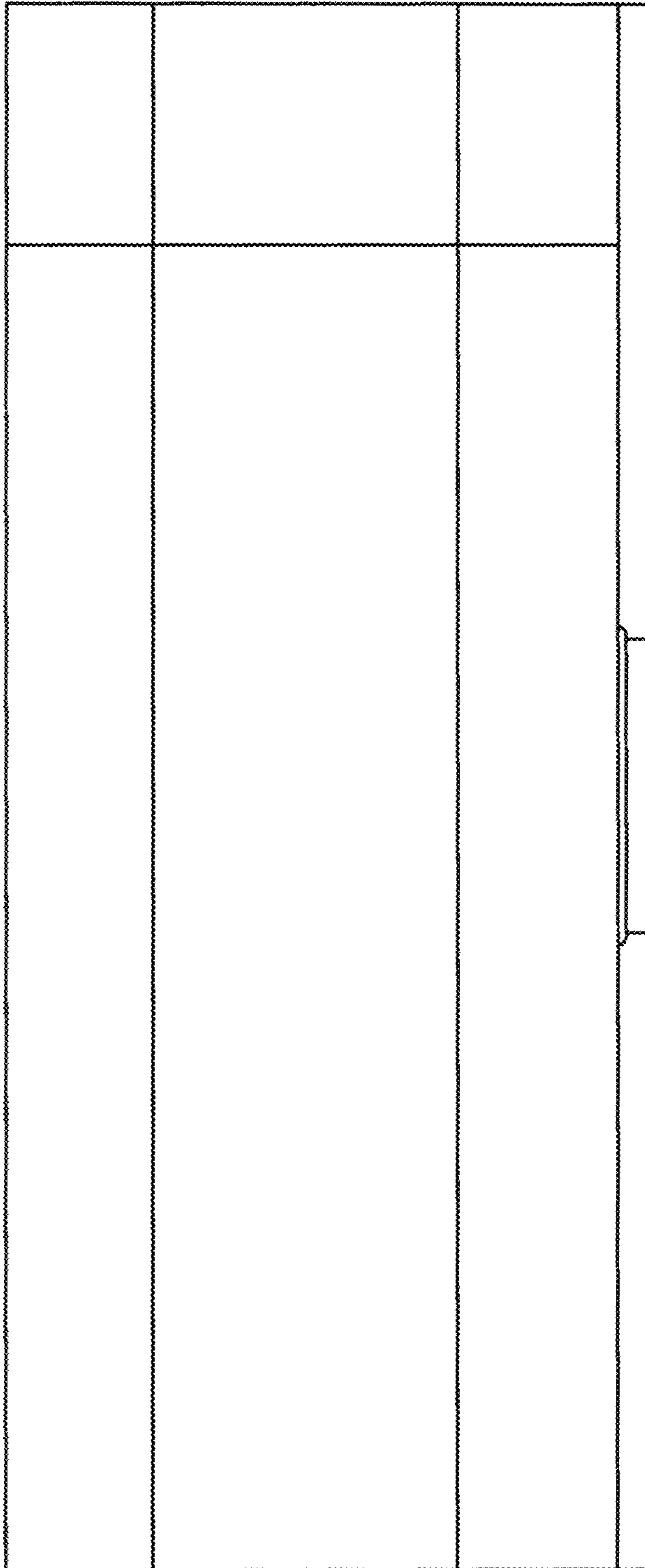


FIG. 3

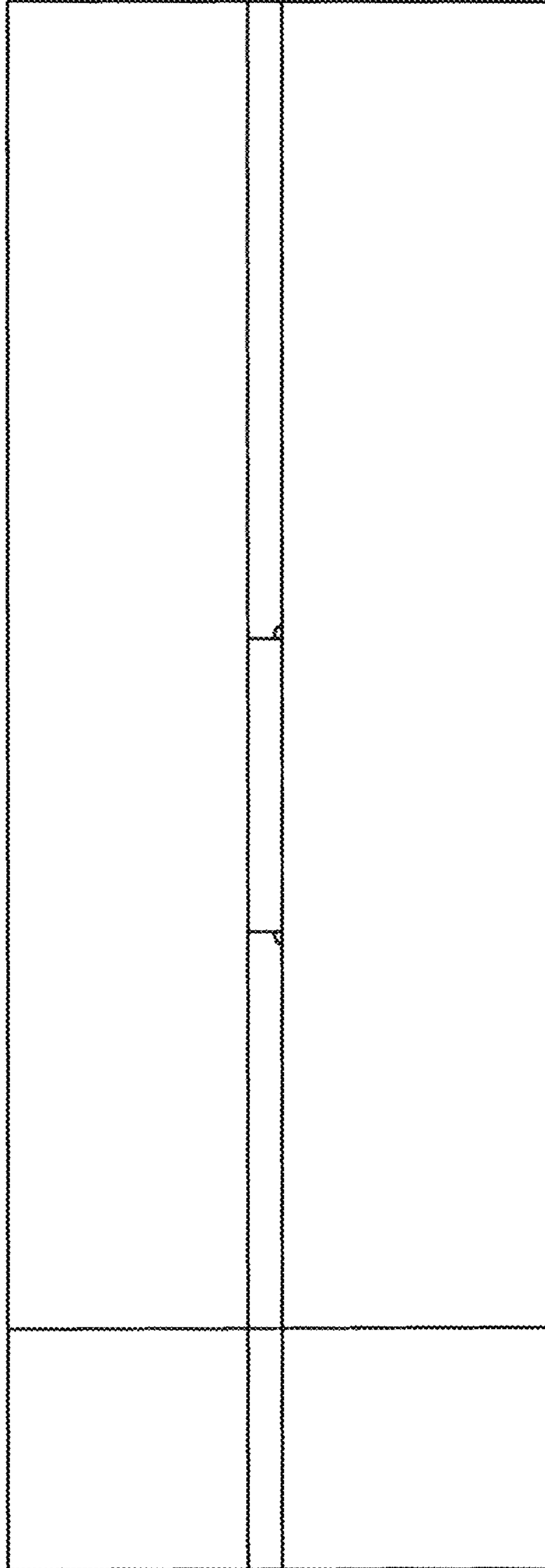


FIG. 4

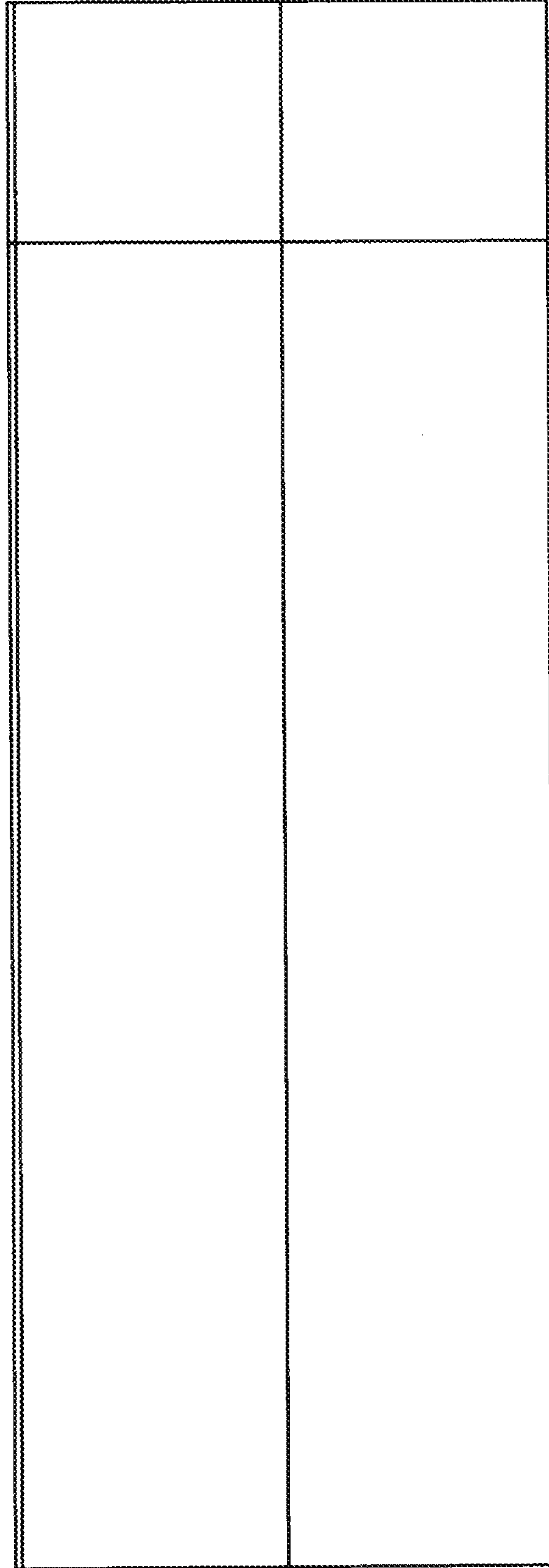


FIG. 5

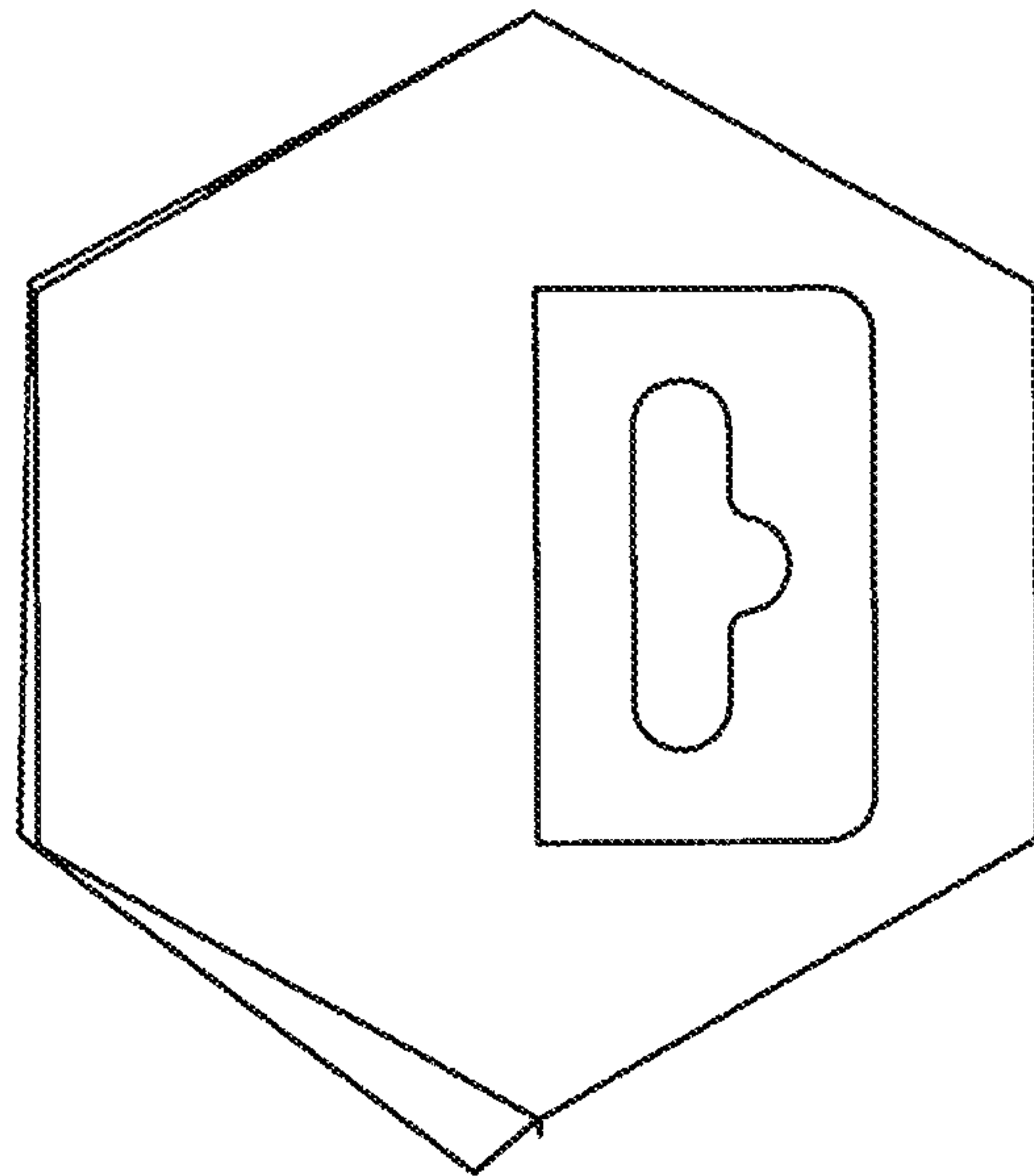


FIG. 6



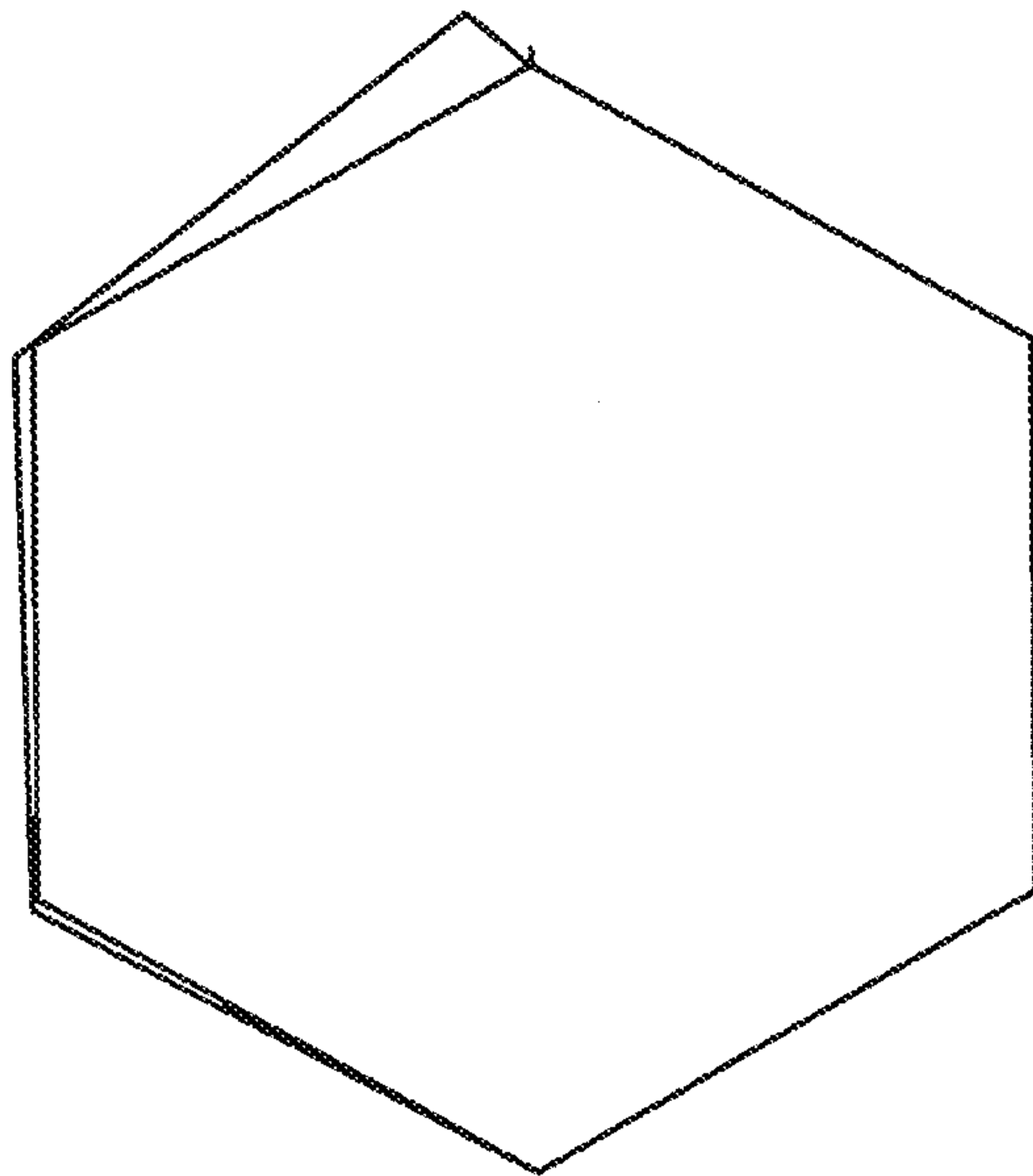


FIG. 7

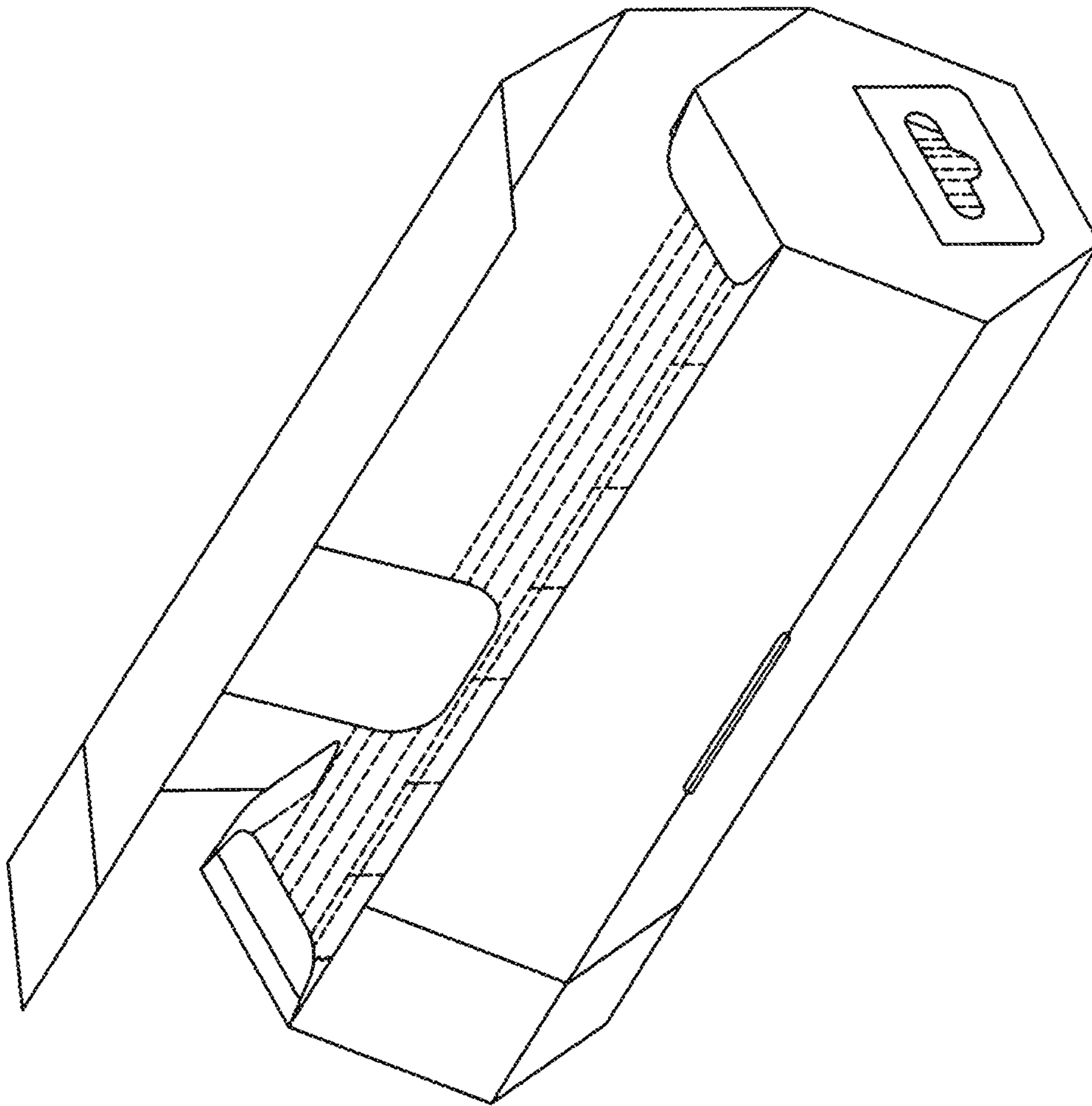


FIG. 8

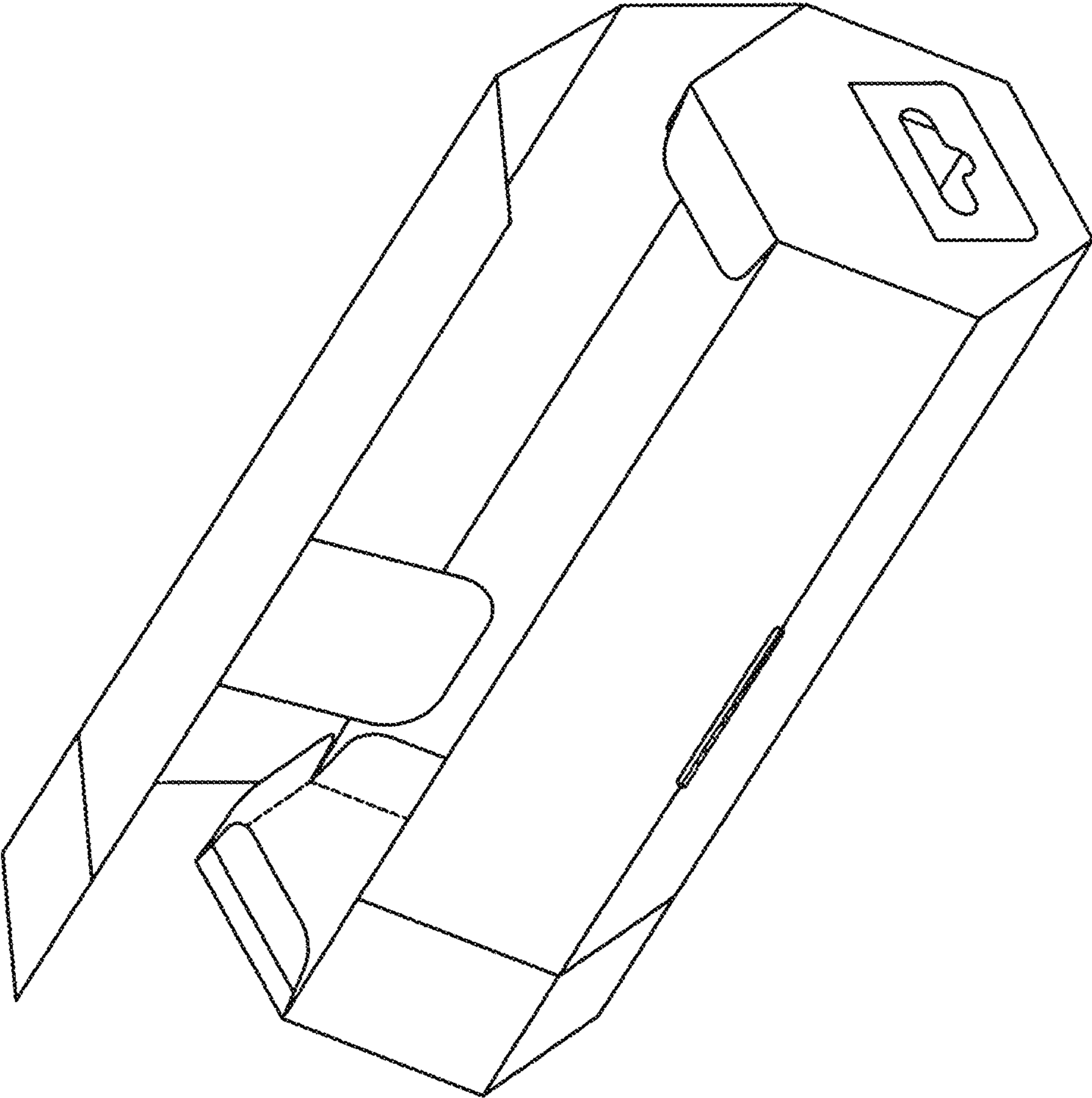


FIG. 9

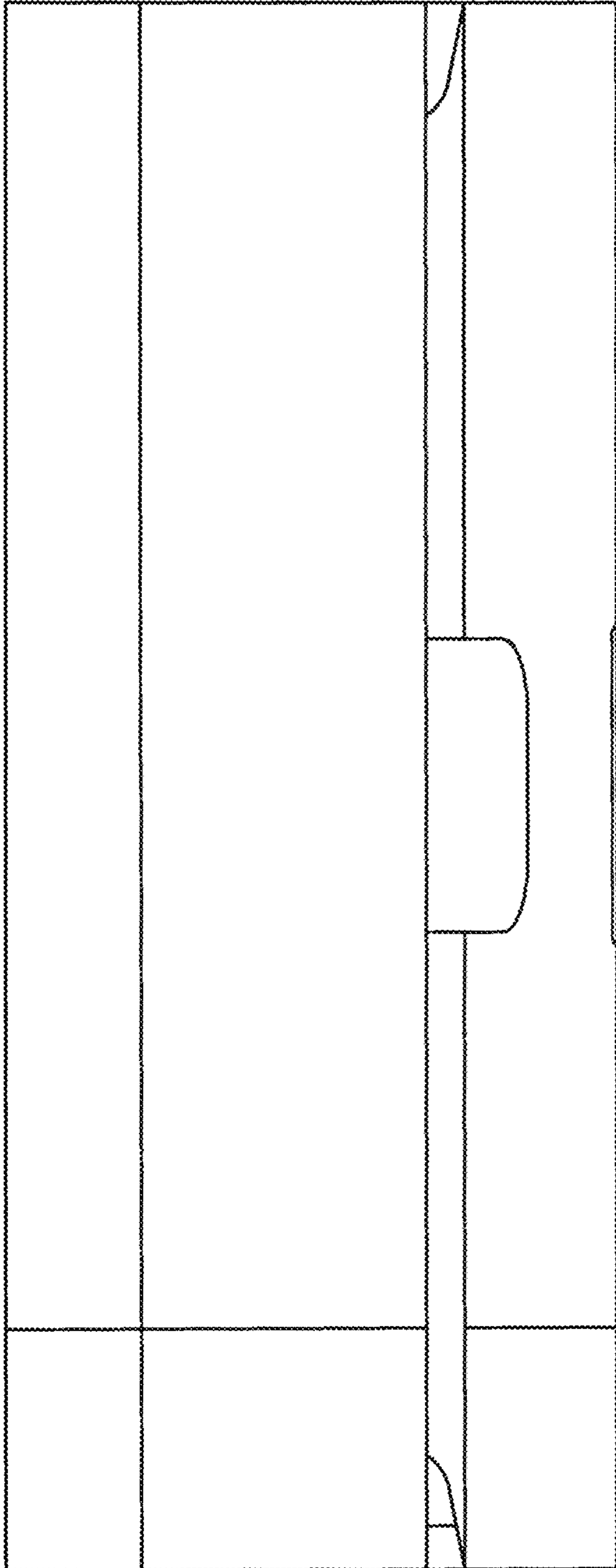


FIG. 10

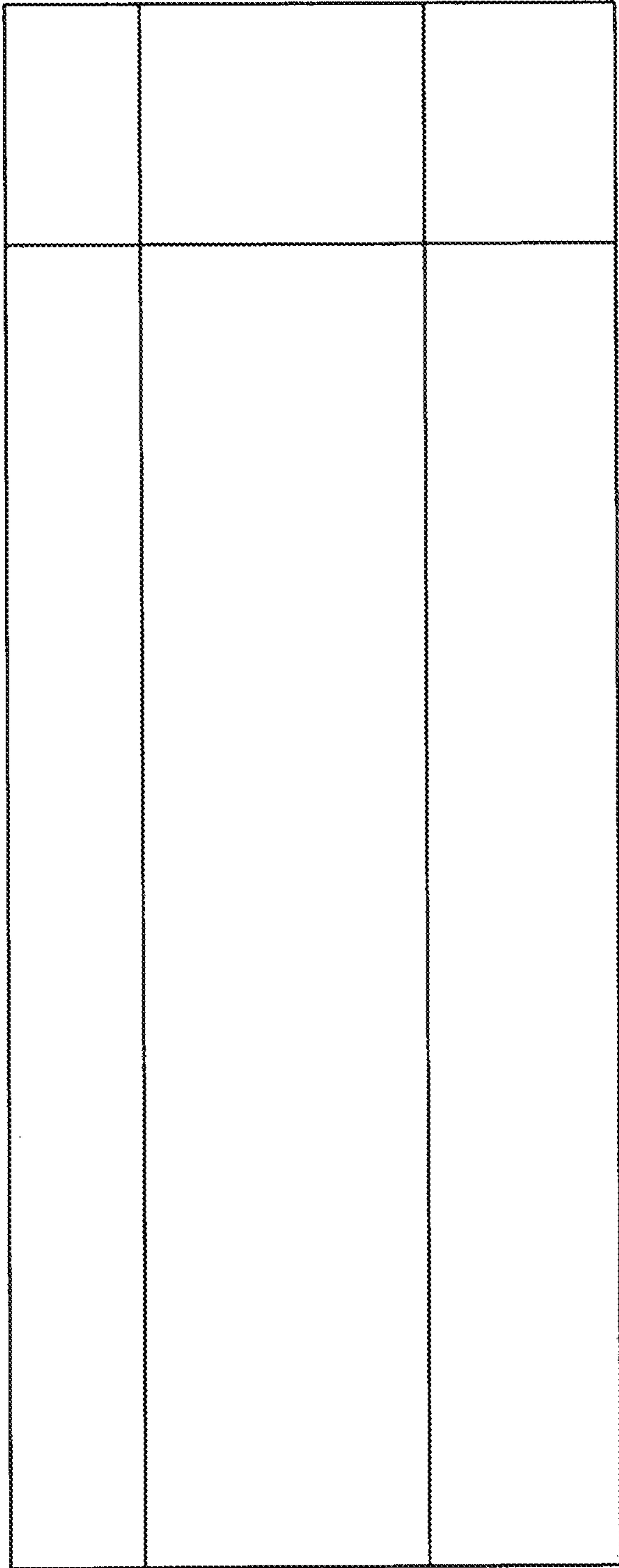


FIG. 11

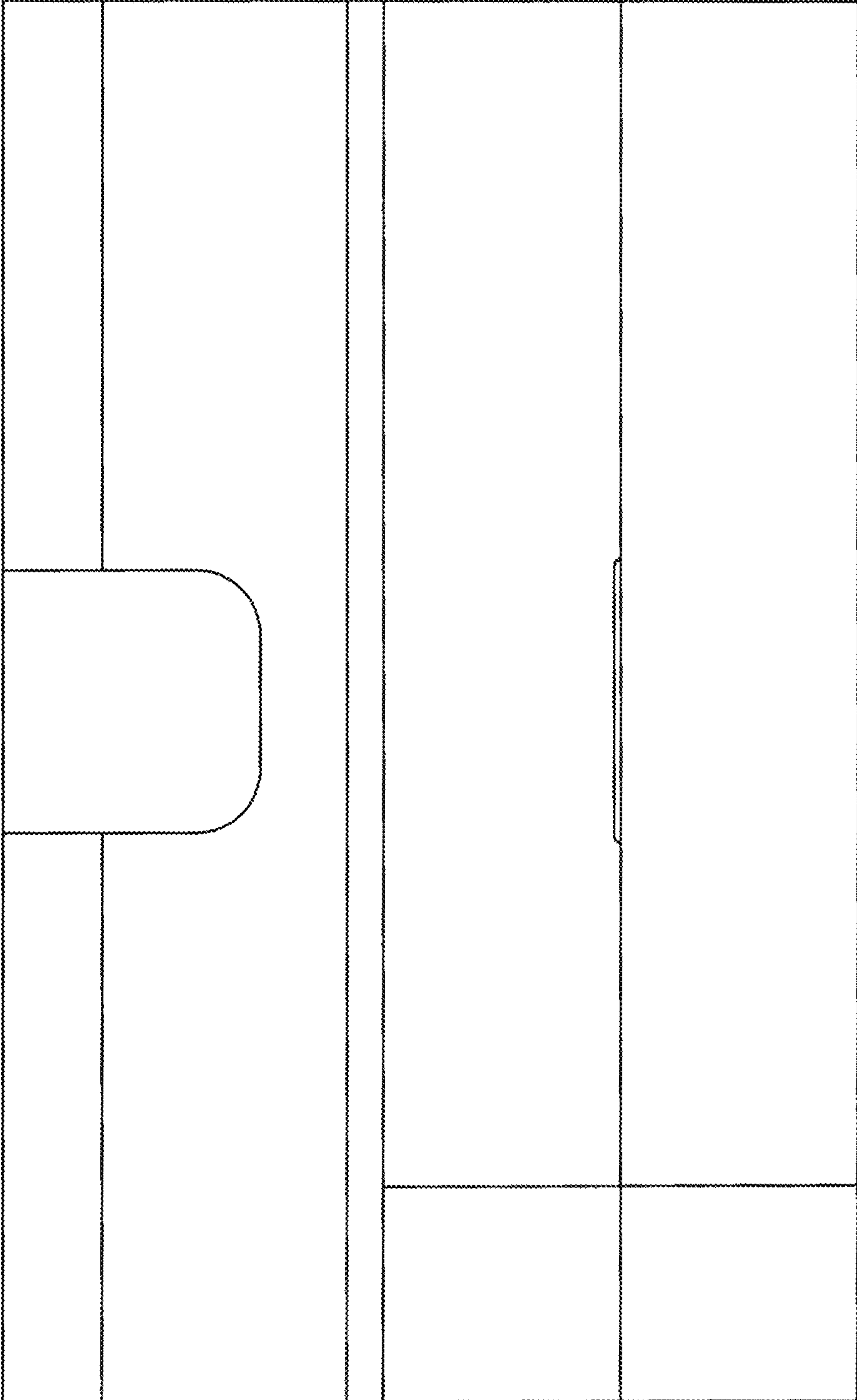


FIG. 12




FIG. 13

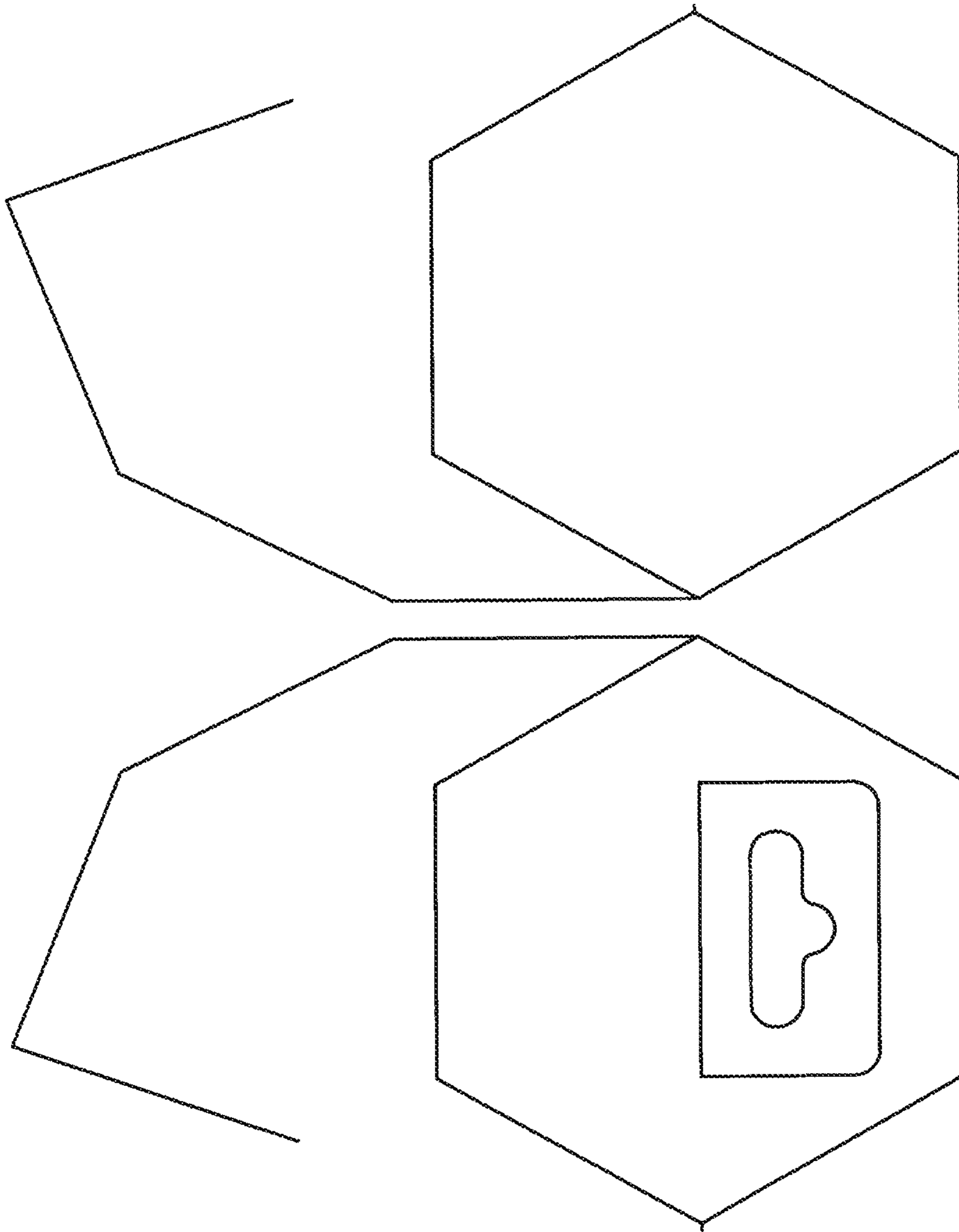


FIG. 15

FIG. 14