



US00D899071S

(12) **United States Design Patent**  
**You et al.**

(10) **Patent No.:** **US D899,071 S**  
(45) **Date of Patent:** **\*\* Oct. 20, 2020**

(54) **WALKING STICK CONVERTABLE INTO A SEAT**

(71) Applicant: **YIWU LOCYOP HOUSEHOLD PRODUCT CO., LTD**, Yiwu, Zhejiang (CN)

(72) Inventors: **Wenbiao You**, Zhejiang (CN);  
**Changwei Long**, Zhejiang (CN)

(73) Assignee: **YIWU LOCYOP HOUSEHOLD PRODUCT CO., LTD**, Yiwu, Zhejiang (CN)

(\*\*) Term: **15 Years**

(21) Appl. No.: **29/737,097**

(22) Filed: **Jun. 5, 2020**

(51) **LOC (12) Cl.** ..... **03-03**

(52) **U.S. Cl.**  
USPC ..... **D3/7**

(58) **Field of Classification Search**  
USPC ..... D3/5, 6, 7, 9, 10  
CPC ..... A45B 5/00; A45B 9/00; A45B 2009/002;  
A45B 2009/005; A45B 2009/007; A45B  
9/02; A45B 2200/05  
See application file for complete search history.

(56) **References Cited**

**U.S. PATENT DOCUMENTS**

1,089,295	A *	3/1914	Vallier et al.	.....	A45B 5/00 248/155.1
1,697,552	A *	1/1929	Brooks	.....	A45B 5/00 248/155.1
1,863,457	A *	6/1932	Stevens	.....	A45B 5/00 248/155.1
1,957,033	A *	5/1934	Silverman	.....	A45B 5/00 248/155.1
D113,534	S *	2/1939	Bodkin et al.	.....	D3/7

2,771,938	A *	11/1956	Neblich	.....	A47C 9/105 248/155.2
2,793,680	A *	5/1957	Eben	.....	A45B 5/00 248/155.1
2,834,604	A *	5/1958	Osmun	.....	A45B 5/00 280/812
3,058,711	A *	10/1962	Kingsford	.....	A47C 9/10 248/155.2
3,179,436	A *	4/1965	Choy	.....	A63C 11/22 280/812

(Continued)

*Primary Examiner* — Steven J Czyz

(74) *Attorney, Agent, or Firm* — ScienBiziP, P.C.

(57) **CLAIM**

The ornamental design for a walking stick convertible into a seat, as shown and described.

**DESCRIPTION**

FIG. 1 is a front perspective view of a walking stick convertible into a seat, in a non converted state, showing our design.

FIG. 2 is a back and bottom perspective view thereof.

FIG. 3 is a front elevation view thereof.

FIG. 4 is a rear elevation view thereof.

FIG. 5 is a left side elevation view thereof.

FIG. 6 is a right side elevation view thereof.

FIG. 7 is a top plan view thereof.

FIG. 8 is a bottom plan view thereof.

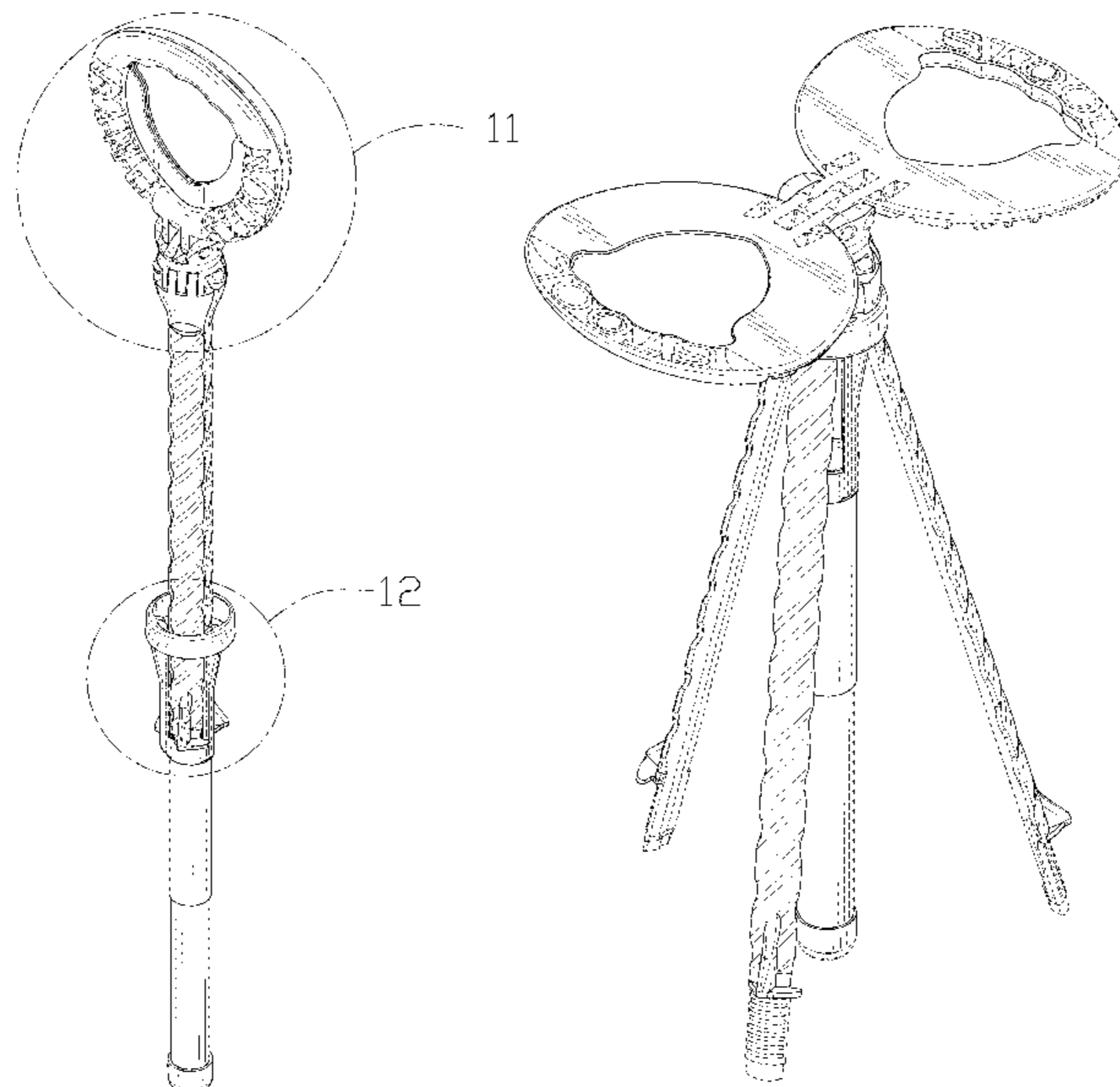
FIG. 9 is a perspective view of the walking stick convertible into a seat which is disassembled into two parts.

FIG. 10 is a perspective view of the walking stick convertible into a seat, which is converted into a seat wherein legs and seat fully extended.

FIG. 11 is an enlarged view of an area labeled 11 in FIG. 1; and,

FIG. 12 is an enlarged view of an area labeled 12 in FIG. 1. The broken lines depict portions of the article that form no part of the claimed design.

**1 Claim, 12 Drawing Sheets**



(56)

References Cited

U.S. PATENT DOCUMENTS

3,266,839 A \* 8/1966 Combs ..... A47C 9/105  
297/57  
3,310,340 A \* 3/1967 Brewer ..... A45B 5/00  
297/16.1  
3,495,554 A \* 2/1970 Wagner ..... A47C 9/105  
108/128  
D218,508 S \* 8/1970 Norman et al. .... D3/7  
3,544,051 A \* 12/1970 Norman ..... A45B 5/00  
248/155  
3,817,483 A \* 6/1974 Garvey ..... A45B 5/00  
248/155  
3,912,209 A \* 10/1975 Turpin ..... A45B 5/00  
248/155.1  
4,106,521 A \* 8/1978 Thomas ..... A61H 3/02  
135/67  
D255,288 S \* 6/1980 Thomas ..... 135/67  
4,684,090 A \* 8/1987 Skarland ..... A45B 5/00  
248/155  
4,700,914 A \* 10/1987 Cheetham ..... A47C 9/10  
108/150  
D297,887 S \* 10/1988 Hattersley ..... D3/7  
D308,439 S \* 6/1990 Van Winkle ..... D3/13  
4,930,839 A \* 6/1990 Saito ..... A45B 5/00  
248/155.3  
D329,538 S \* 9/1992 Rau ..... D3/13  
5,411,313 A \* 5/1995 Counihan ..... A45B 5/00  
135/66  
5,470,038 A \* 11/1995 Clark ..... A45B 5/00  
248/156  
5,871,025 A \* 2/1999 Richter ..... A45B 3/00  
135/65  
6,192,908 B1 \* 2/2001 Smith ..... A45B 5/00  
135/65  
D438,371 S \* 3/2001 Tong ..... D3/7  
D448,152 S \* 9/2001 Folise ..... D3/7  
6,386,217 B1 \* 5/2002 Cooper ..... A45B 5/00  
135/66

D479,767 S \* 9/2003 Mudd ..... D3/7  
D484,679 S \* 1/2004 Smith ..... D3/7  
6,899,388 B1 \* 5/2005 Enrique ..... A47C 7/66  
297/129  
D552,340 S \* 10/2007 Graves ..... D3/7  
D553,848 S \* 10/2007 Barker ..... D3/9  
D625,910 S \* 10/2010 Whittaker ..... D3/7  
D632,069 S \* 2/2011 Thiessens ..... D3/7  
8,082,936 B2 \* 12/2011 Goldberg ..... A45B 9/02  
135/76  
D663,942 S \* 7/2012 Martin ..... D3/7  
D690,927 S \* 10/2013 Jones ..... D3/7  
D693,565 S \* 11/2013 Chan ..... D3/7  
8,967,170 B1 \* 3/2015 Lai ..... A45B 9/00  
135/75  
8,979,188 B2 \* 3/2015 Crabtree, Jr. .... A47C 4/00  
297/129  
8,997,766 B2 \* 4/2015 Pao ..... A45B 5/00  
135/66  
9,066,584 B2 \* 6/2015 Li ..... A47C 13/00  
9,179,746 B2 \* 11/2015 Gullo ..... A45B 5/00  
9,357,820 B2 \* 6/2016 Pao ..... A45B 5/00  
D761,574 S \* 7/2016 Gullo ..... D6/335  
9,414,655 B2 \* 8/2016 Pao ..... A45B 5/00  
9,504,297 B2 \* 11/2016 Pao ..... A45B 5/00  
9,622,554 B2 \* 4/2017 Green ..... A63C 11/00  
D789,073 S \* 6/2017 Wu ..... D3/9  
9,681,713 B2 \* 6/2017 Pao ..... A45B 5/00  
9,854,882 B1 \* 1/2018 Peck ..... A45B 3/00  
10,064,462 B2 \* 9/2018 Pao ..... A47C 9/105  
10,285,503 B2 \* 5/2019 Graybill ..... A47C 13/00  
D860,627 S \* 9/2019 Ritter ..... D3/7  
D861,320 S \* 10/2019 Ritter ..... D3/7  
10,517,789 B1 \* 12/2019 Petromallo ..... A45B 9/02  
D873,553 S \* 1/2020 Holiday ..... D3/7  
D876,810 S \* 3/2020 Alghazi ..... D3/7  
D881,550 S \* 4/2020 Skuse ..... D3/7  
D883,653 S \* 5/2020 Ritter ..... D3/9  
D892,489 S \* 8/2020 Ritter ..... D3/7

\* cited by examiner

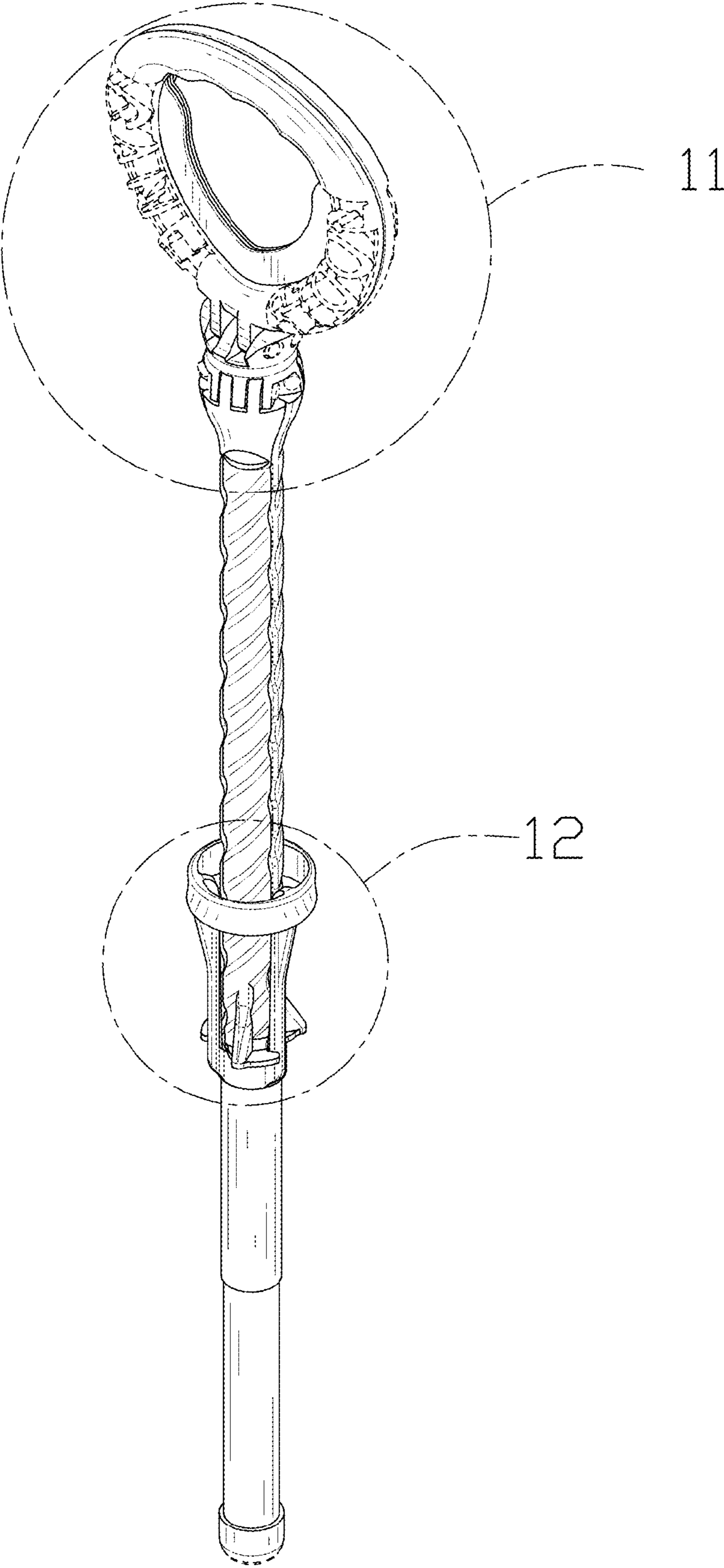


FIG. 1

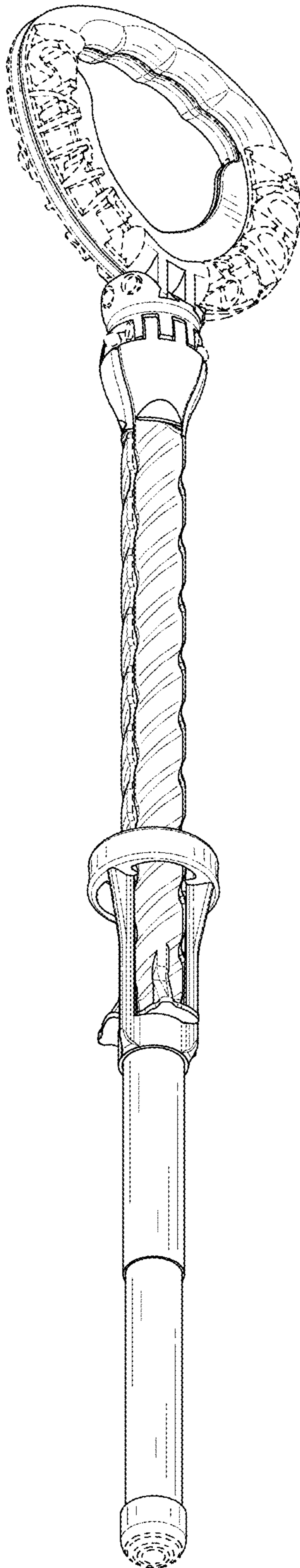


FIG. 2

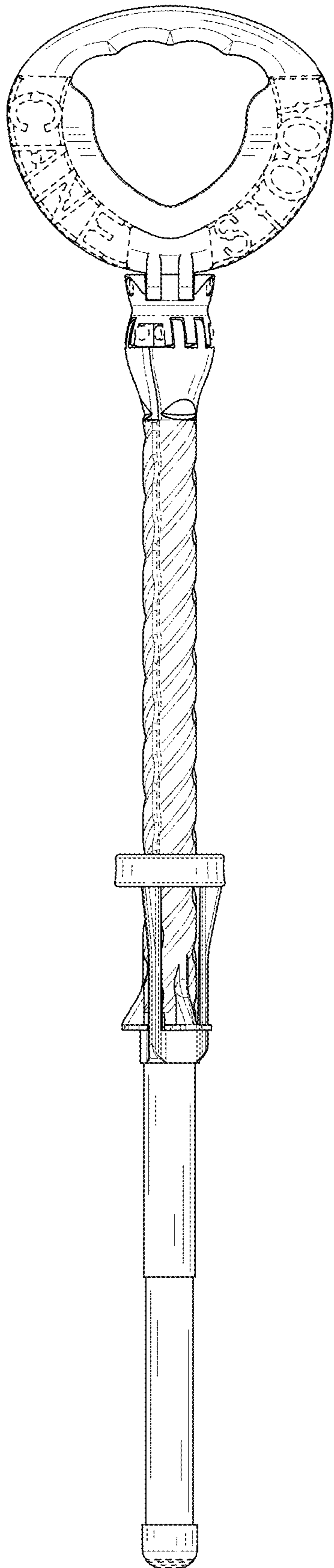


FIG. 3

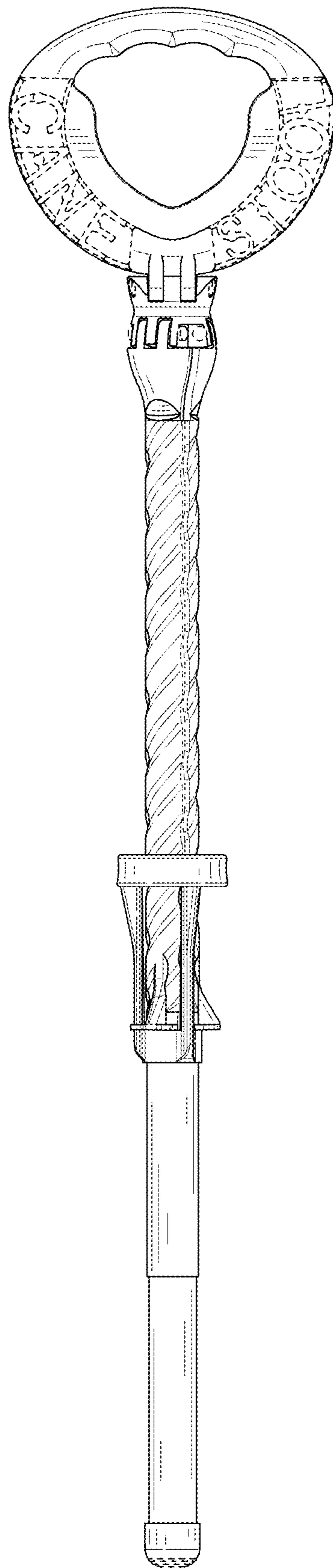


FIG. 4

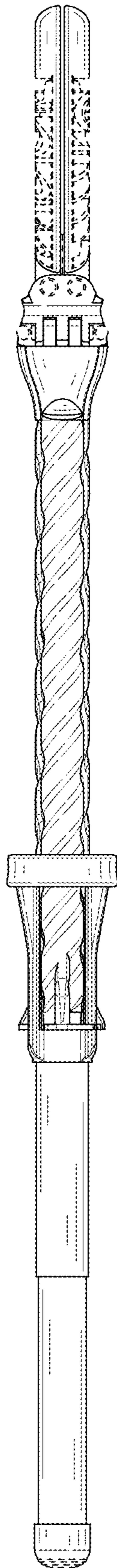


FIG. 5

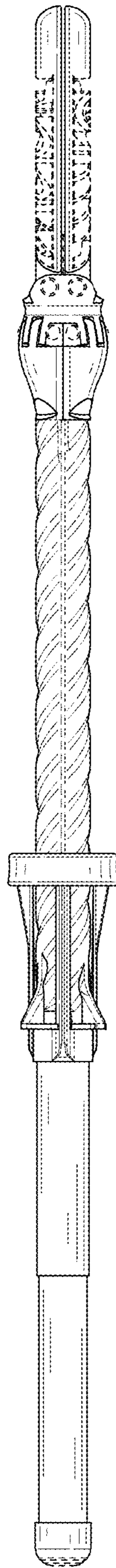


FIG. 6



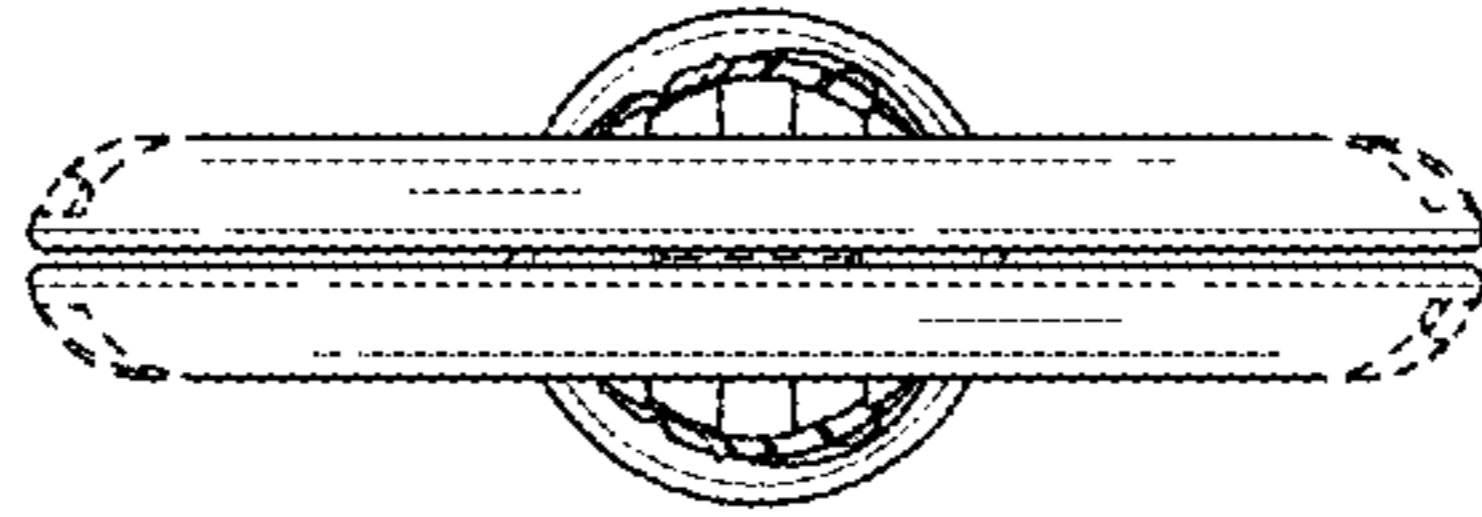


FIG. 7

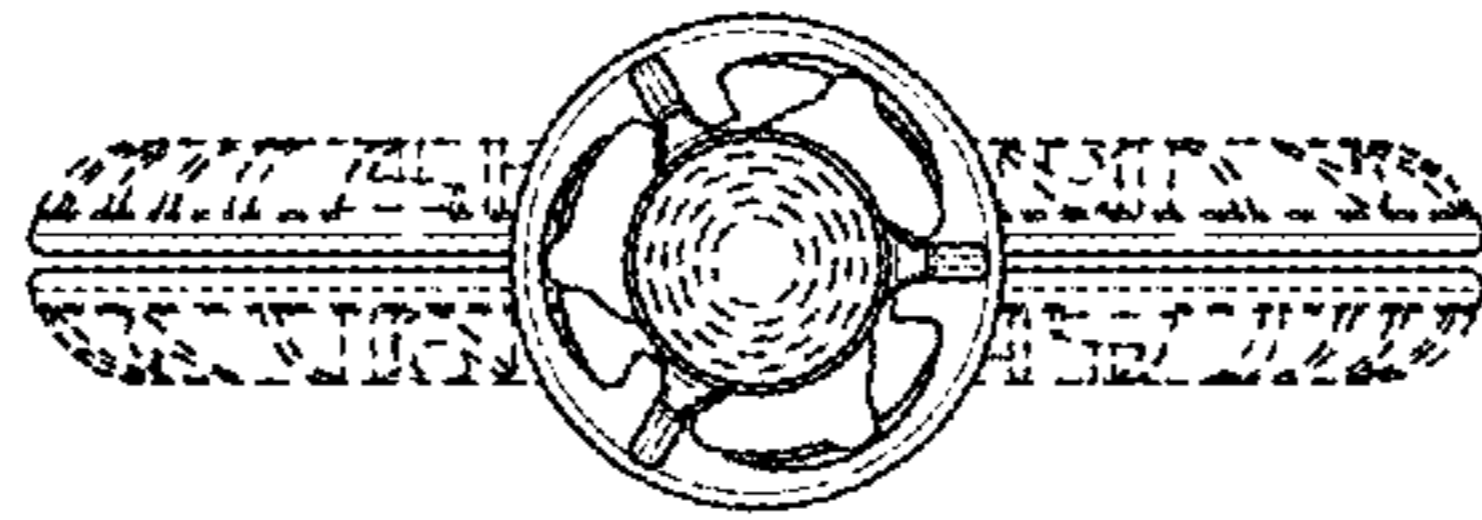


FIG. 8

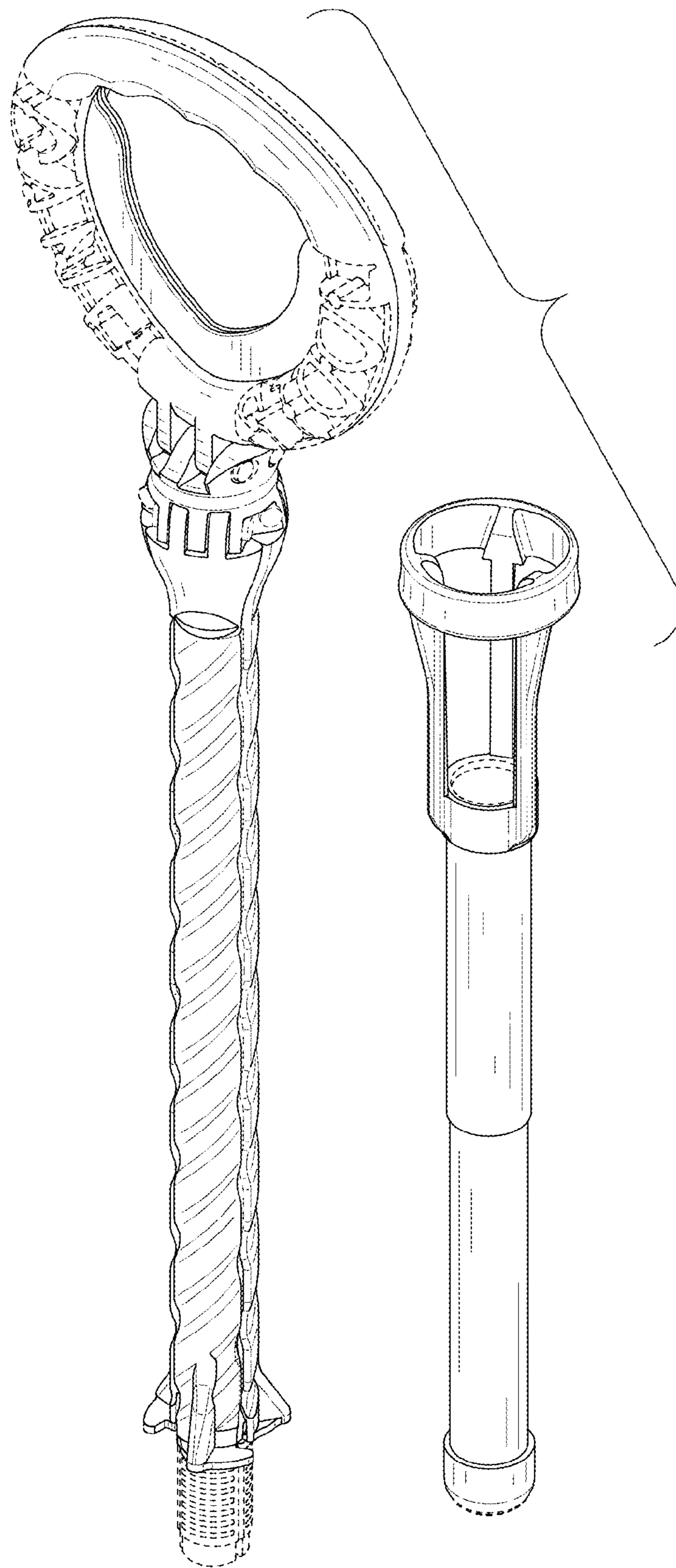


FIG. 9

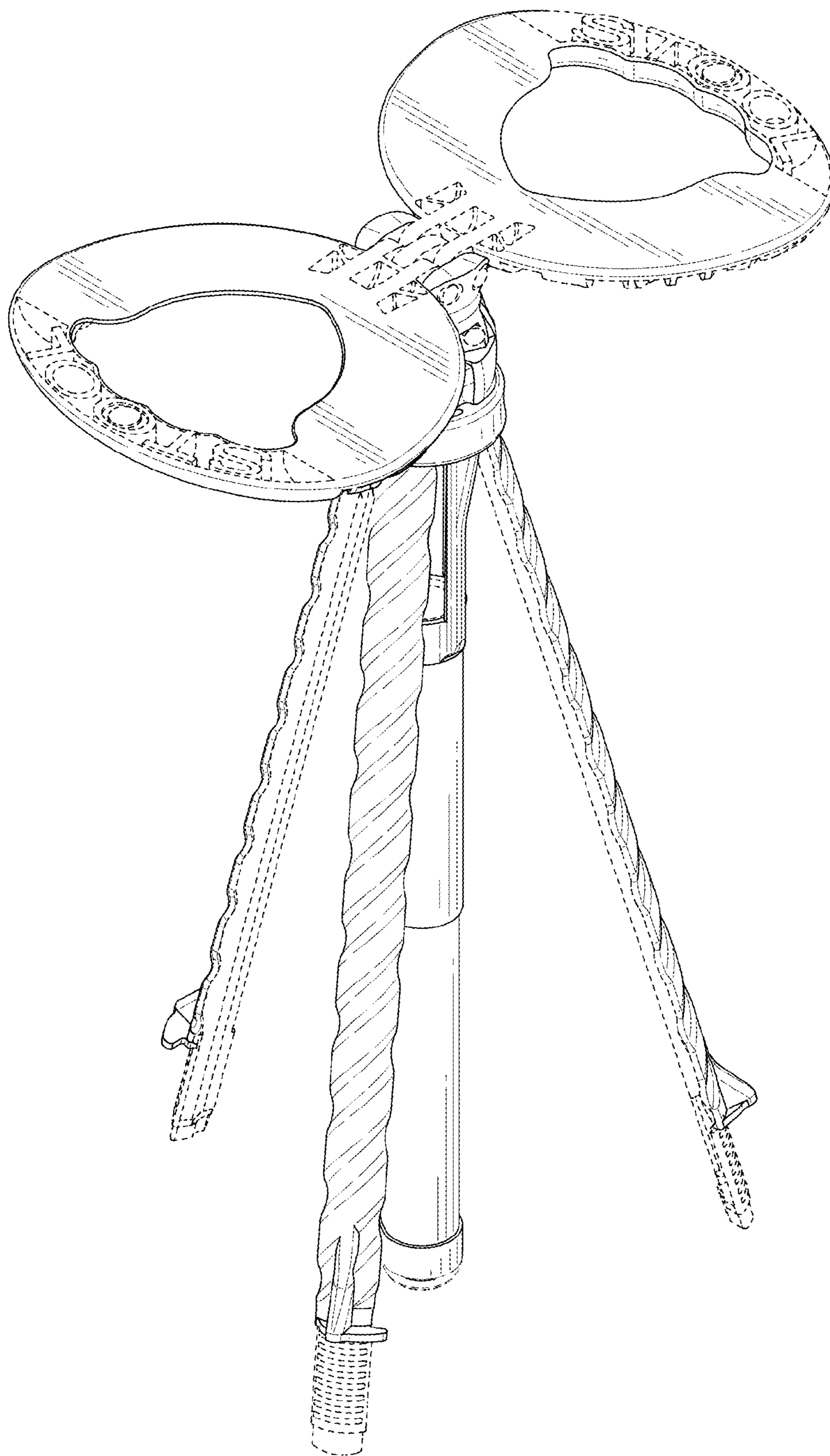


FIG. 10

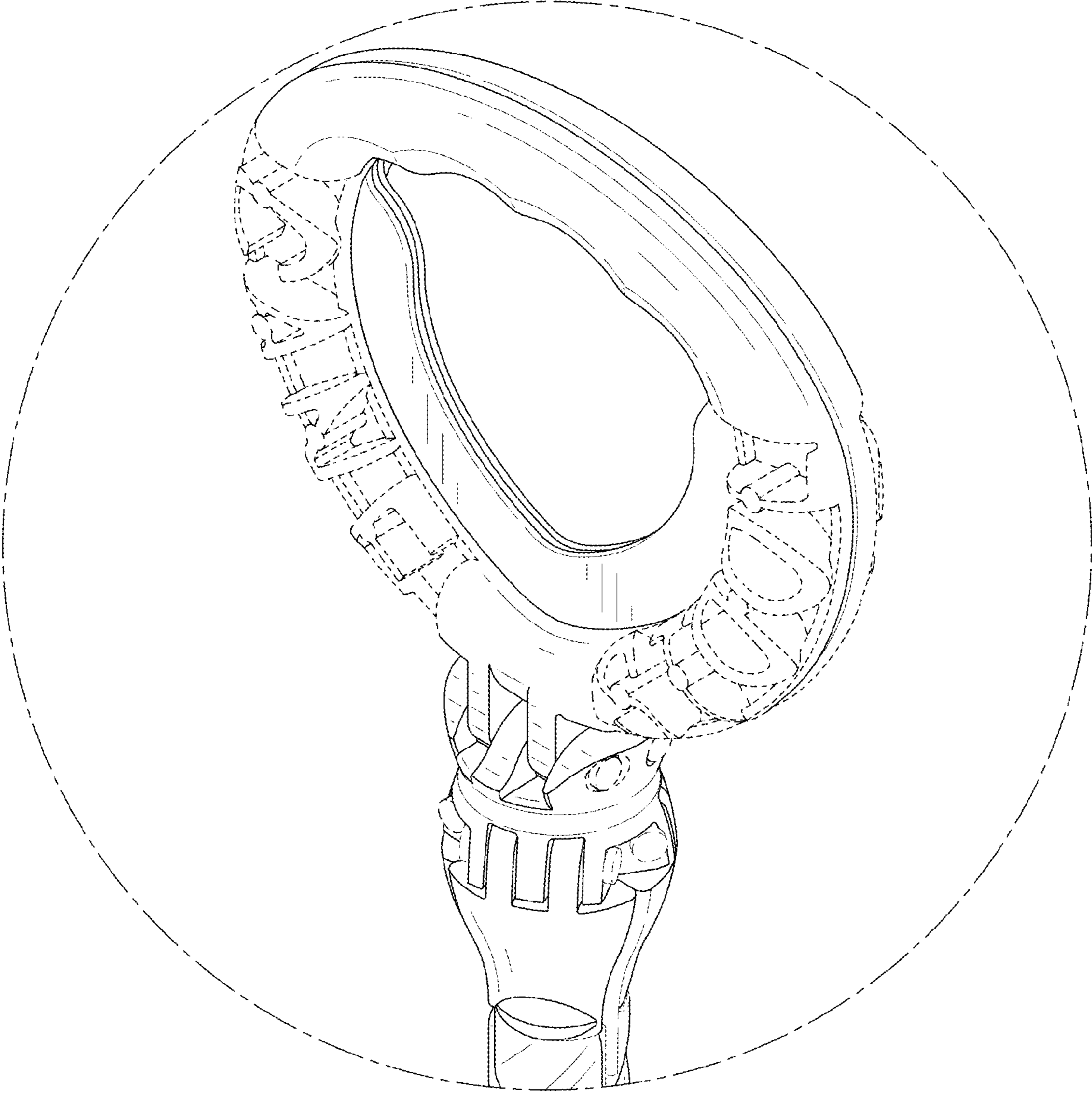


FIG. 11

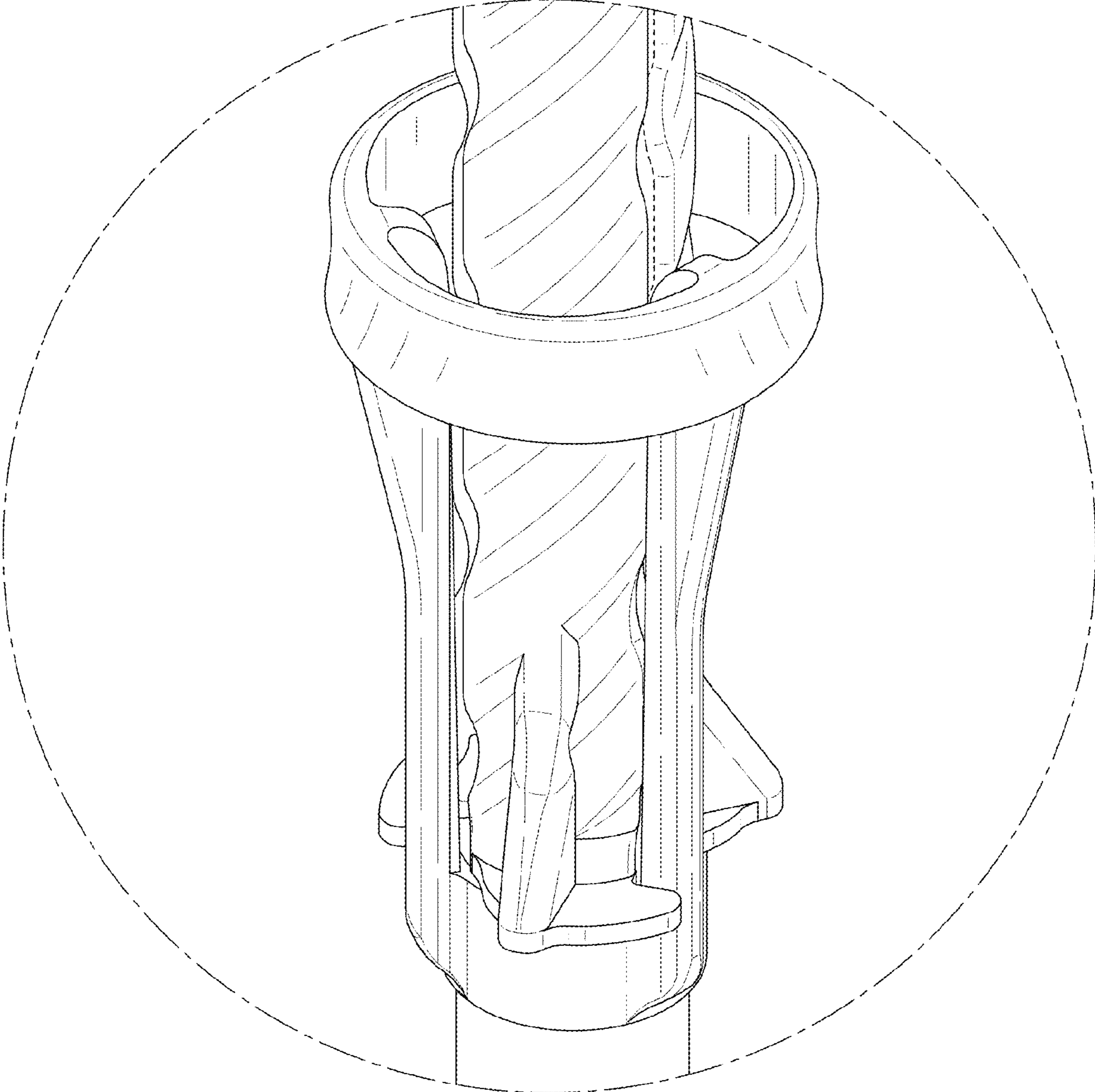


FIG. 12