



US00D899068S

(12) **United States Design Patent** (10) **Patent No.:** **US D899,068 S**
Akin et al. (45) **Date of Patent:** **** Oct. 20, 2020**

(54) **UMBRELLA WITH SOLAR PANELS**
(71) Applicant: **ZON**, Redondo Beach, CA (US)
(72) Inventors: **Sarah Akin**, Manhattan Beach, CA (US); **David Johnson**, San Francisco, CA (US)
(73) Assignee: **ZON**, Redondo Beach, CA (US)
(**) Term: **15 Years**
(21) Appl. No.: **29/724,499**
(22) Filed: **Feb. 14, 2020**

D248,042 S 5/1978 Ouelette
4,193,389 A 3/1980 Ku
4,527,721 A 7/1985 Goldstein
D306,093 S 2/1990 Lerch
D330,031 S 10/1992 Bohanon
D336,982 S 7/1993 Johnson
D345,645 S 4/1994 Good
D349,397 S 8/1994 Peng
D372,156 S 7/1996 Botsford
D373,465 S 9/1996 Chipman
D373,467 S 9/1996 Chipman
D373,468 S 9/1996 Dubinsky
D396,741 S 8/1998 Vitali et al.

(Continued)

FOREIGN PATENT DOCUMENTS

CN 302500131 7/2013
JP D1442286 6/2012
JP 1469397 5/2013

OTHER PUBLICATIONS

Solar Powered Umbrella with USB Ports Product Reference, Apr. 5, 2013, 17 pages.

(Continued)

Primary Examiner — John Windmuller
(74) *Attorney, Agent, or Firm* — Aka Chan LLP

(57) **CLAIM**

The ornamental design for an umbrella with solar panels, as shown and described.

DESCRIPTION

FIG. 1 shows a perspective view of a design for an umbrella with solar panels.
FIG. 2 shows a top view of the design; and,
FIG. 3 shows a side view of the design.
The broken-lines features in the drawings represent structure or features which form no part of the claimed design.

1 Claim, 3 Drawing Sheets

Related U.S. Application Data

(60) Continuation of application No. 29/693,111, filed on May 30, 2019, now Pat. No. Des. 875,384, which is a continuation of application No. 29/554,661, filed on Feb. 12, 2016, now Pat. No. Des. 850,093, which is a division of application No. 29/467,889, filed on Sep. 24, 2013, now Pat. No. Des. 749,313.

(51) **LOC (12) Cl.** **03-03**

(52) **U.S. Cl.**
USPC **D3/5; D3/10; D13/102**

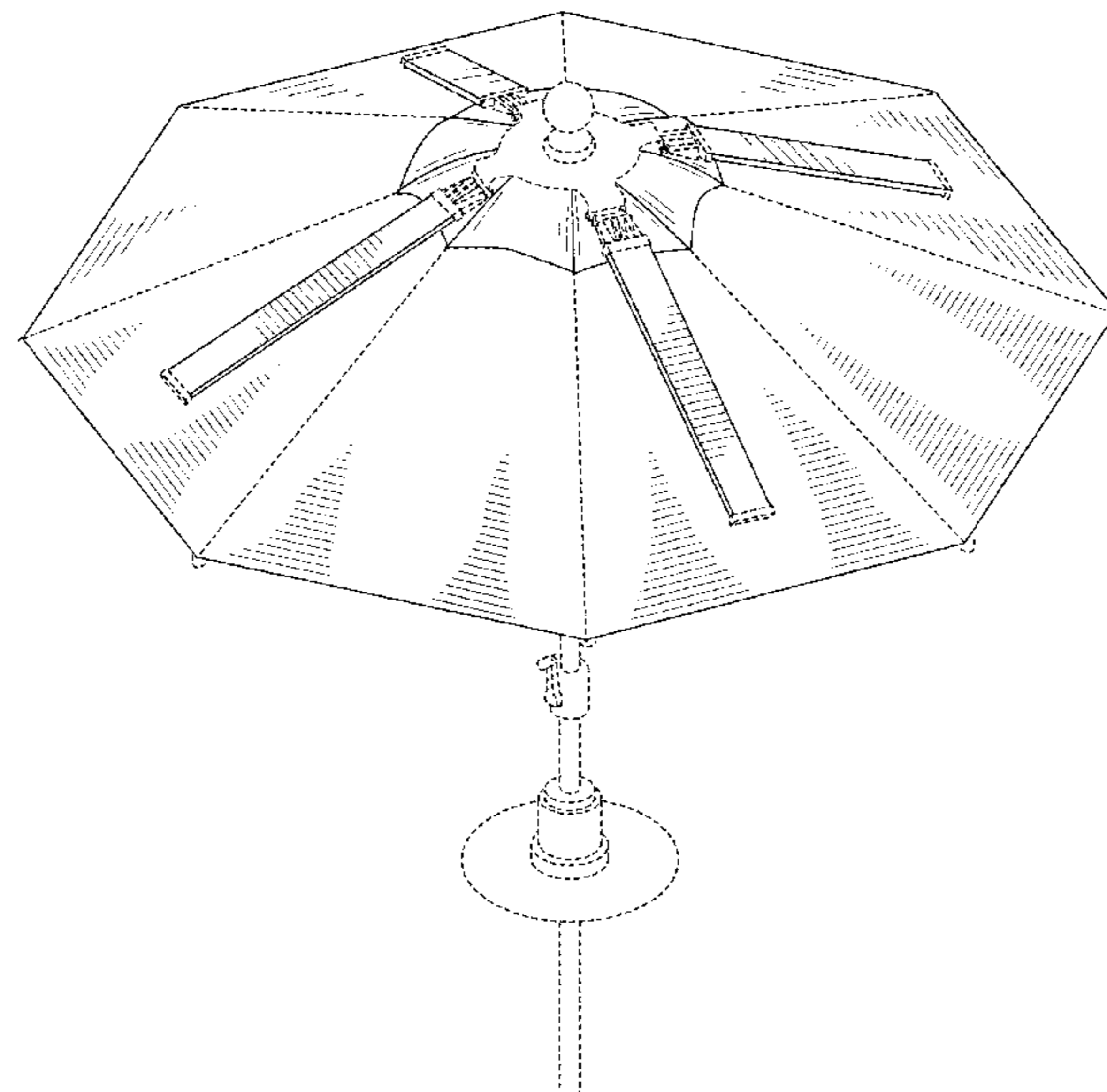
(58) **Field of Classification Search**
USPC D3/5, 10; D13/102
CPC ... A45B 23/00; A45B 3/04; A45B 2200/1018;
A45B 2200/1027; H02J 7/0047; H02J
7/35

See application file for complete search history.

(56) **References Cited**

U.S. PATENT DOCUMENTS

D127,702 S 6/1872 Nash
1,241,166 A 9/1917 Swenson
1,397,789 A 11/1921 Stonestreet
2,031,466 A 2/1936 Criqui
D151,655 S 11/1948 Preaus



(56)

References Cited

U.S. PATENT DOCUMENTS

D418,671 S 1/2000 Tsai
 D443,409 S 6/2001 Pilz et al.
 D460,549 S 7/2002 Sonneman
 D485,347 S 1/2004 Bucher
 6,830,058 B2 12/2004 Li
 6,923,058 B2 8/2005 Nieman et al.
 D510,624 S 10/2005 Graham
 7,000,624 B2 2/2006 Chang
 7,013,903 B2 3/2006 Li
 D530,269 S 10/2006 Fowler et al.
 D561,460 S 2/2008 Peterson
 7,562,667 B2 7/2009 Li
 D600,200 S 9/2009 Dimov et al.
 D668,443 S 10/2012 Sims, II
 8,360,079 B2 1/2013 Li
 D680,949 S 4/2013 Swatek
 D681,548 S 5/2013 Zhang et al.
 D688,621 S 8/2013 Mozzardi et al.
 D693,561 S 11/2013 Akin et al.
 D693,562 S 11/2013 Akin et al.
 D693,563 S 11/2013 Akin et al.
 D701,828 S 4/2014 Garrett-Schesch
 D701,829 S 4/2014 Garrett-Schesch
 D702,037 S 4/2014 Akin et al.
 8,695,614 B2 4/2014 Chaimovski et al.
 D703,939 S 5/2014 Akin et al.
 D706,026 S 6/2014 Akin et al.
 D724,524 S 3/2015 Garrett-Schesch
 D727,253 S 4/2015 Presley et al.
 D728,466 S 5/2015 Ehram et al.
 D748,905 S 2/2016 Akin et al.
 D749,313 S 2/2016 Akin et al.
 D758,062 S 6/2016 Akin et al.
 D758,298 S 6/2016 Akin et al.
 D763,787 S 8/2016 Parilla et al.
 D769,808 S 10/2016 Derkacs et al.
 D770,756 S 11/2016 Akin et al.

D770,757 S 11/2016 Akin et al.
 D772,802 S 11/2016 Haas et al.
 D772,803 S 11/2016 Haas et al.
 D799,199 S 10/2017 Akin et al.
 D818,258 S 5/2018 Akin et al.
 10,051,931 B2 * 8/2018 Zadie F24S 25/10
 D848,140 S 5/2019 Akin et al.
 10,306,959 B2 * 6/2019 Rosedale A45B 23/00
 10,327,521 B2 6/2019 Gharabegian
 2003/0000559 A1 1/2003 Wu
 2004/0228118 A1 11/2004 Peterson
 2005/0121063 A1 6/2005 Chang
 2005/0161067 A1 7/2005 Hollins
 2007/0283987 A1 12/2007 Reyes
 2009/0058354 A1 3/2009 Harrison
 2010/0154786 A1 6/2010 Li
 2010/0180922 A1 7/2010 Mckenna
 2011/0265694 A1 11/2011 Portis et al.
 2014/0009103 A1 1/2014 Nita
 2014/0028242 A1 1/2014 Akin et al.
 2014/0144490 A1 5/2014 Richardson
 2015/0216273 A1 8/2015 Akin et al.
 2017/0055653 A1 3/2017 Pan et al.

OTHER PUBLICATIONS

U.S. Appl. No. 29/499,274, filed Aug. 13, 2014, available via IFW (see file history incl. office action with notification dated Oct. 8, 2015).
 SoIProX Solar Powered Umbrella, Announced Feb. 28, 2013 (site visited Sep. 16, 2013); <http://www.solprox.com>.
 Solar Paneled Umbrella Will Charge Your Gadget While You Hang in The Sun, Announced May 28, 2009, (site visited Sep. 16, 2015); <http://www.engadget.com/2009/05/28/solar-paneled-umbrella-will-charge-your-gadgets-while-you-hang-i/>.
 Wind Energy: Wind Turbines with Solar Panel, Announced Apr. 30, 2013, (site visited Sep. 16, 2015); <http://easywindenergy.blogspot.com/2013/04/wind-turbines-with-solar-panel.html>.

* cited by examiner

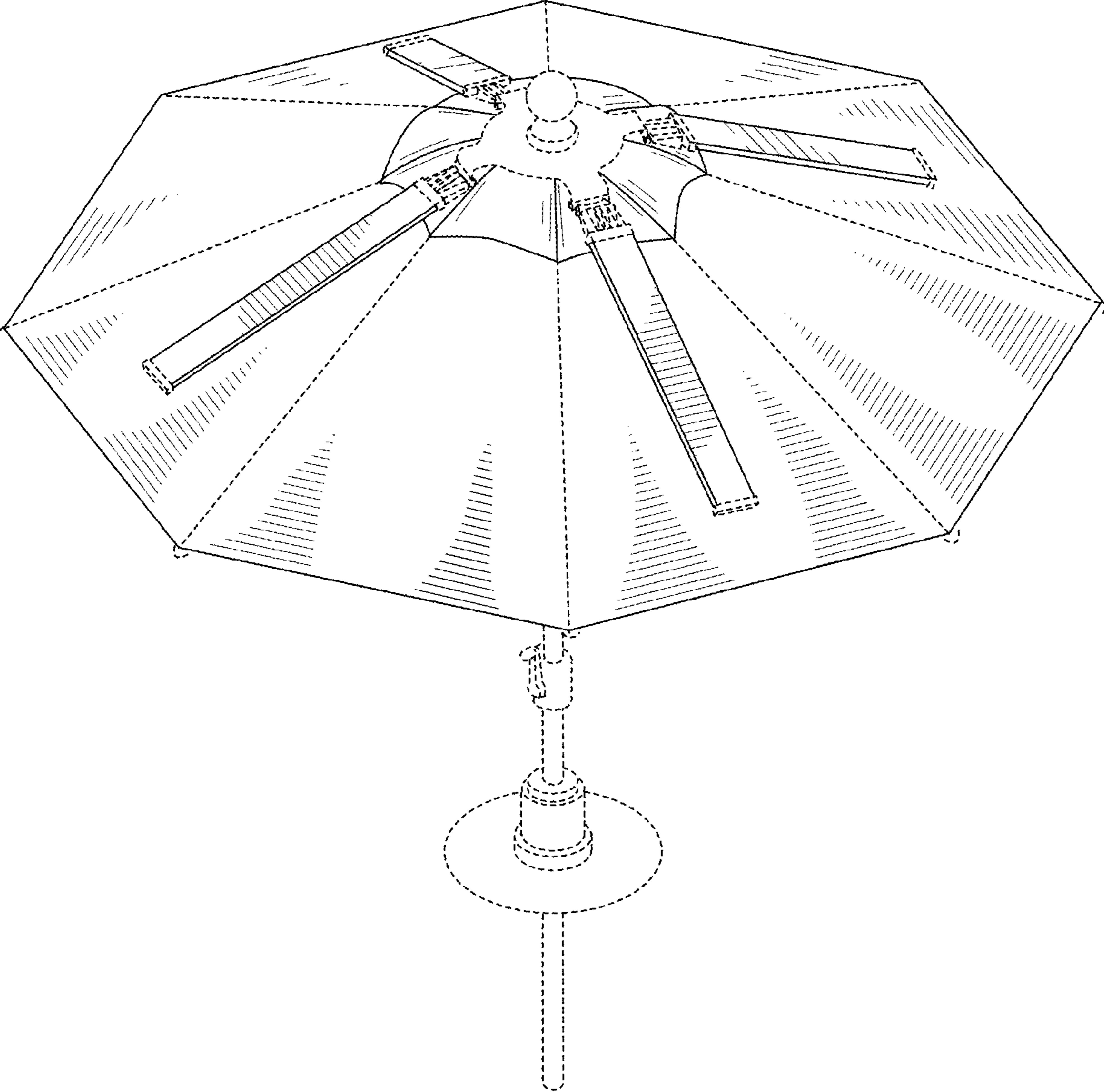


FIG. 1

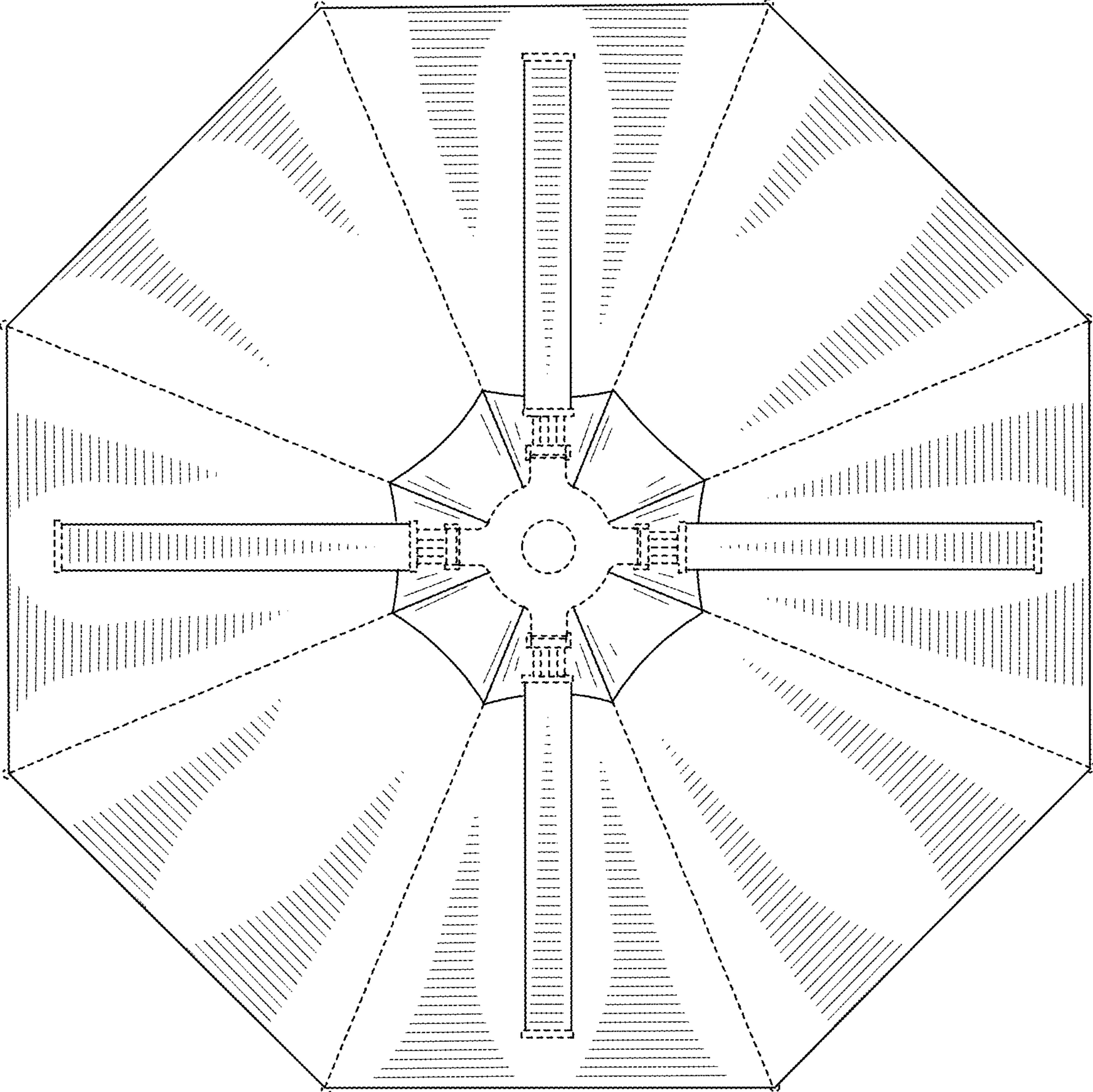


FIG. 2

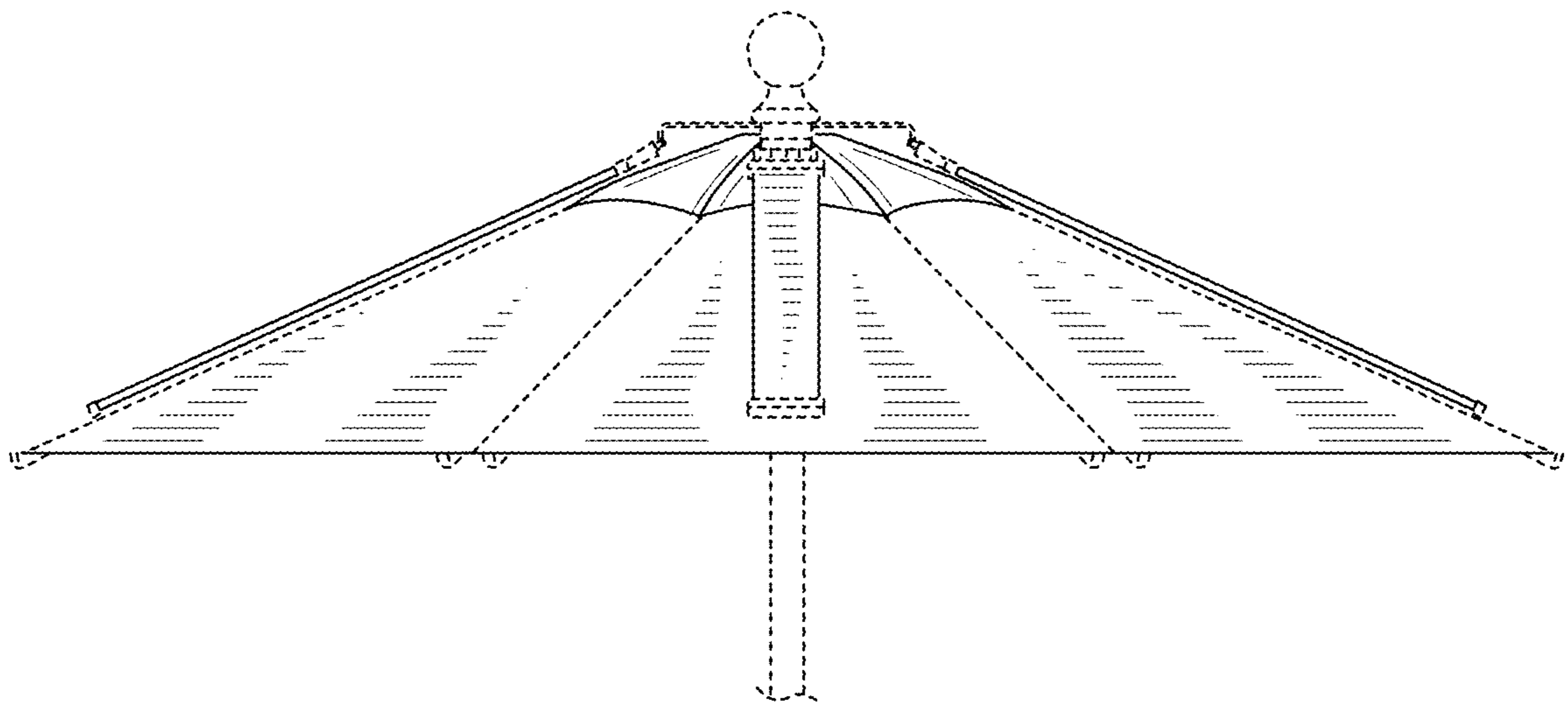


FIG. 3