



US00D899067S

(12) **United States Design Patent**
Lute

(10) **Patent No.:** **US D899,067 S**

(45) **Date of Patent:** **** Oct. 20, 2020**

(54) **FABRIC CLOSURE**

(71) Applicant: **Angela D Lute**, Reno, NV (US)

(72) Inventor: **Angela D Lute**, Reno, NV (US)

(**) Term: **15 Years**

(21) Appl. No.: **29/655,310**

(22) Filed: **Jul. 2, 2018**

(51) **LOC (12) Cl.** **02-99**

(52) **U.S. Cl.**
USPC **D2/999; D11/220**

(58) **Field of Classification Search**
USPC D2/999, 853; D11/220, 222, 227; 2/128,
2/251, 270, 336; 24/90.1, 114.4, 114.8,
24/144.9

See application file for complete search history.

(56) **References Cited**

U.S. PATENT DOCUMENTS

531,940	A *	1/1895	Hormann	A44B 1/04	24/114.9
D101,594	S *	10/1936	Carley	D11/222	
D175,024	S *	6/1955	Kostopoulos	D11/227	
D273,634	S *	5/1984	Hoffmann	D11/227	
D301,567	S *	6/1989	Burke	D11/220	
D409,523	S *	5/1999	Xidakou	D11/222	
6,353,978	B1 *	3/2002	Kawahara	A44B 17/0029	24/114.05

6,557,232 B2 * 5/2003 Fildan A41F 1/006
24/114.6

D517,947 S * 3/2006 Hollingworth D11/220

D689,395 S * 9/2013 Chan D11/220

2017/0156450 A1 * 6/2017 Hutsepiller B29C 65/48

* cited by examiner

Primary Examiner — Amy C Wierenga

(74) *Attorney, Agent, or Firm* — Ian Burns; ATIP Law

(57) **CLAIM**

The ornamental design for a fabric closure, as shown and described.

DESCRIPTION

FIG. 1 is a perspective view of the fabric closure.
FIG. 2 is a front elevational view of the fabric closure shown in FIG. 1.

FIG. 3 is a rear elevational view of the fabric closure shown in FIG. 1.

FIG. 4 is a right side elevational view of the fabric closure shown in FIG. 1.

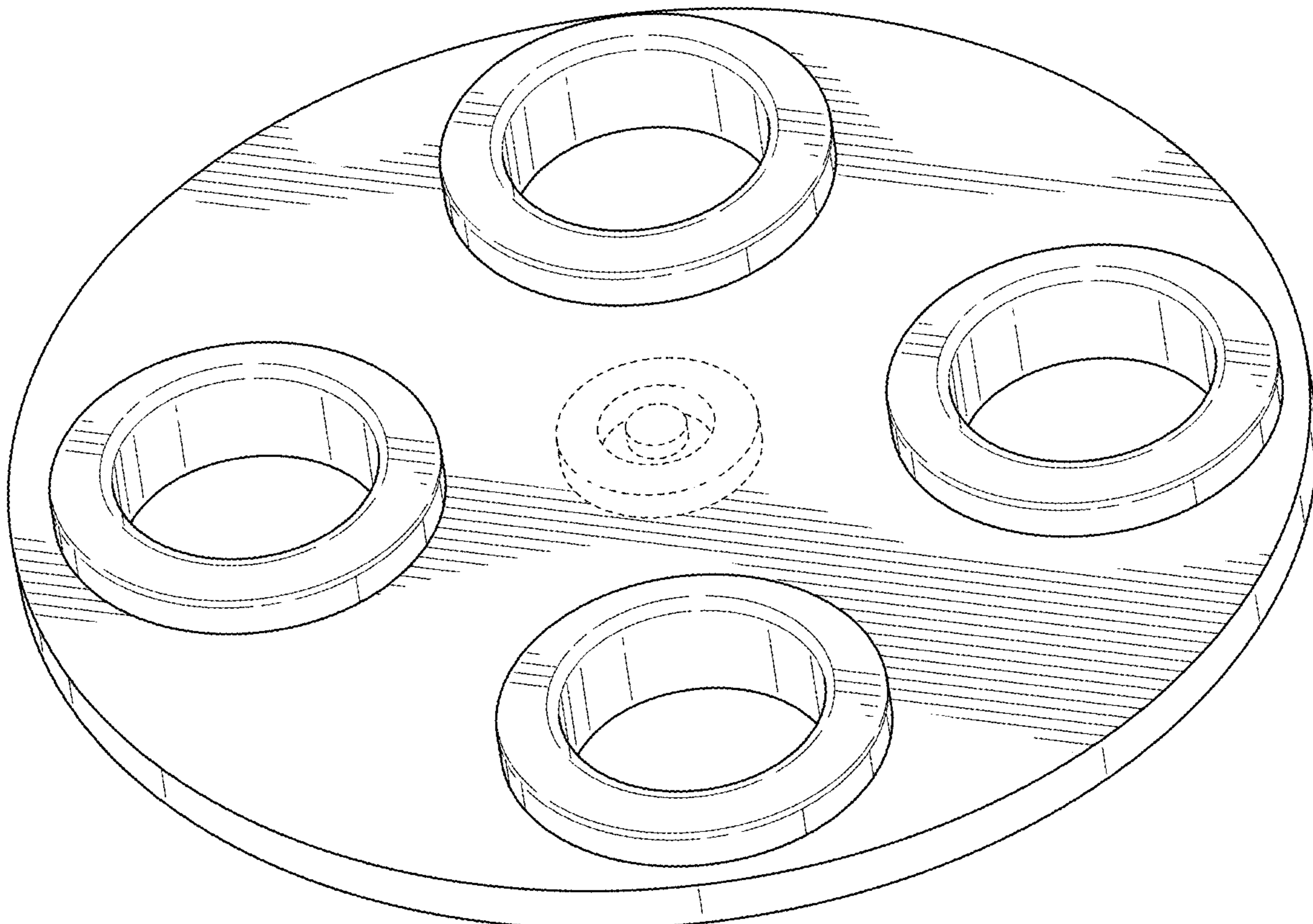
FIG. 5 is a left side elevational view of the fabric closure shown in FIG. 1.

FIG. 6 is a top plan view of the fabric closure shown in FIG. 1; and,

FIG. 7 is a bottom plan view of the fabric closure shown in FIG. 1.

Broken lines illustrate features or environmental components that are not part of the design sought to be patented.

1 Claim, 5 Drawing Sheets



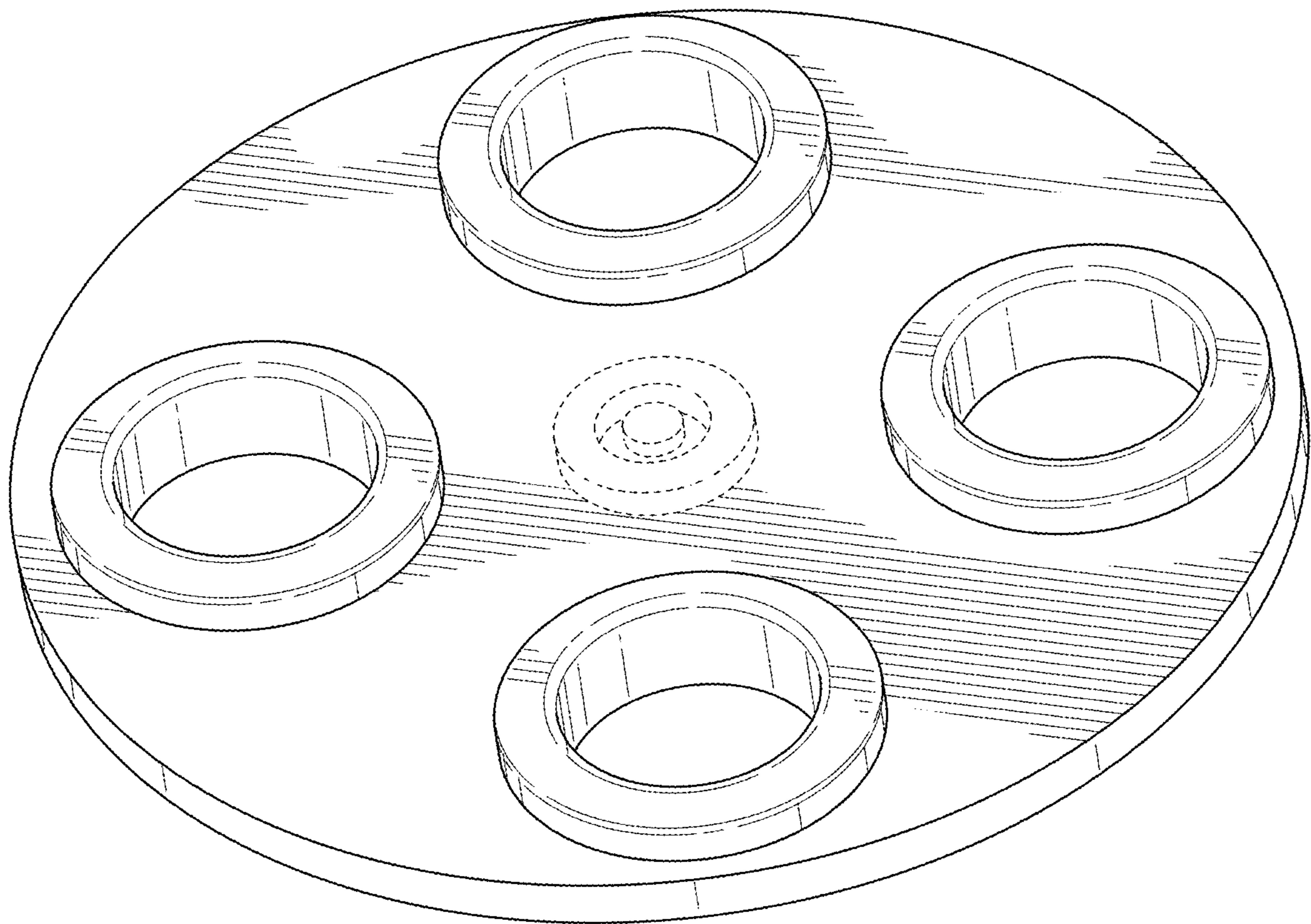


FIG. 1

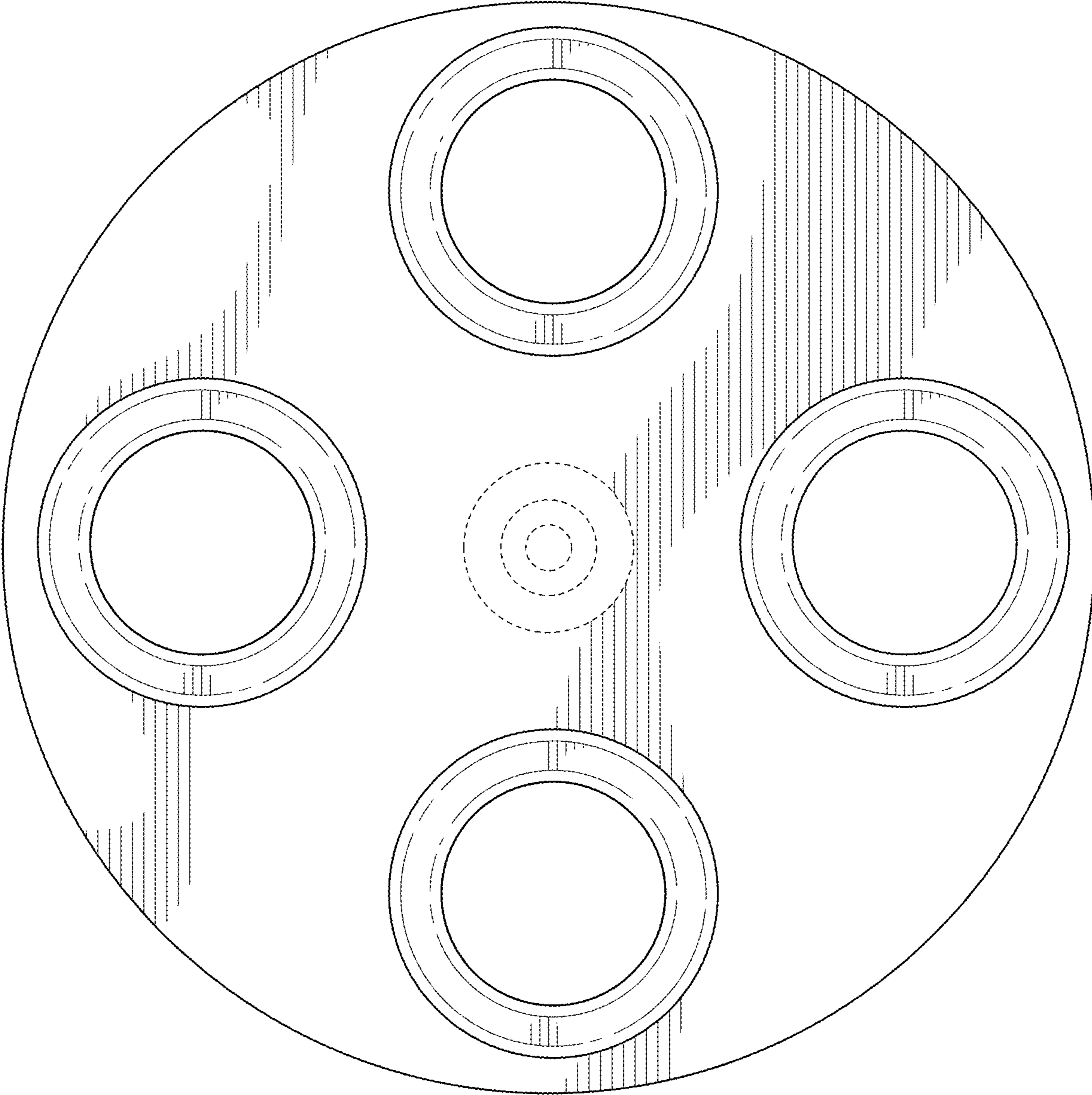


FIG. 2

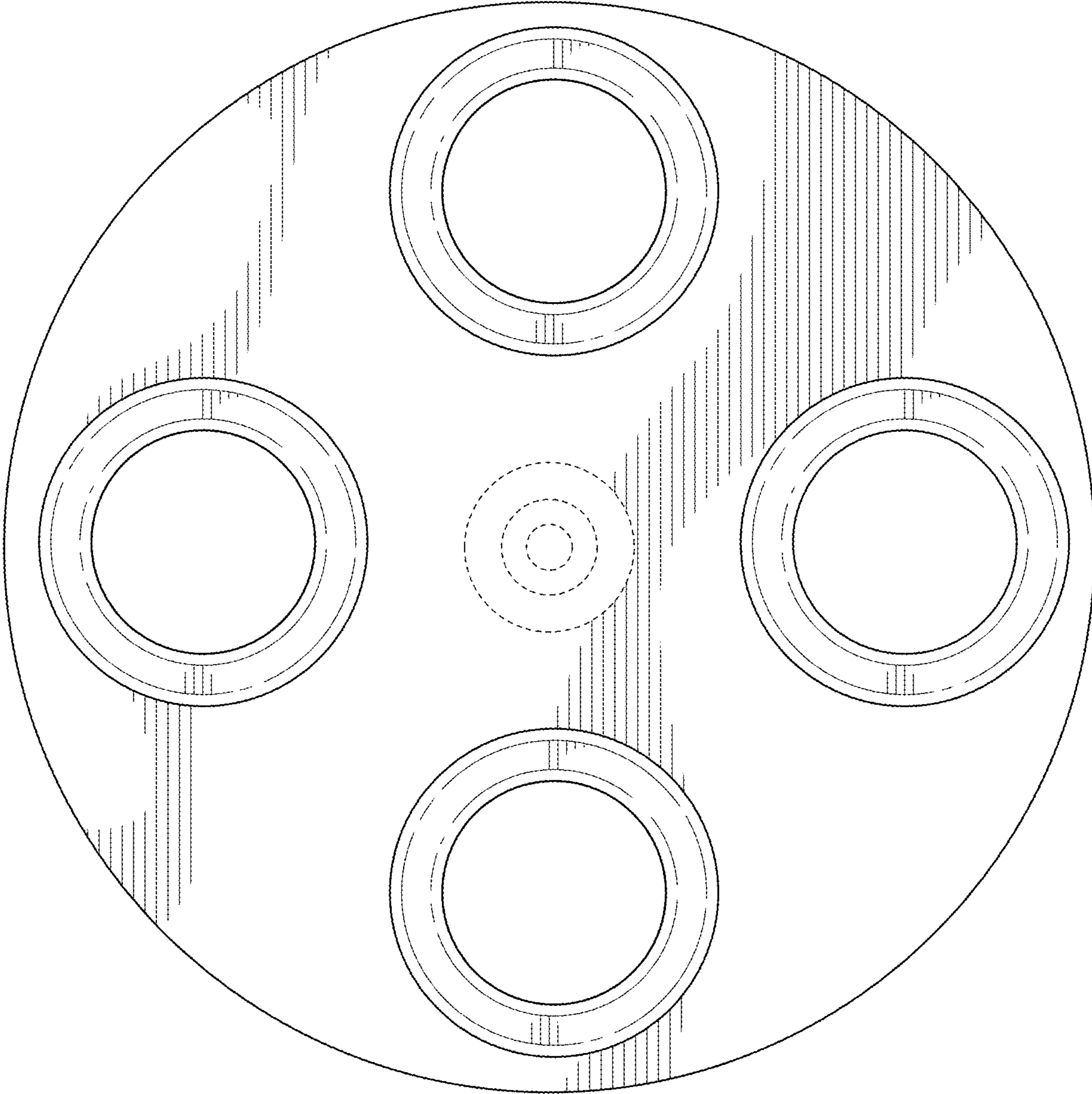


FIG. 3

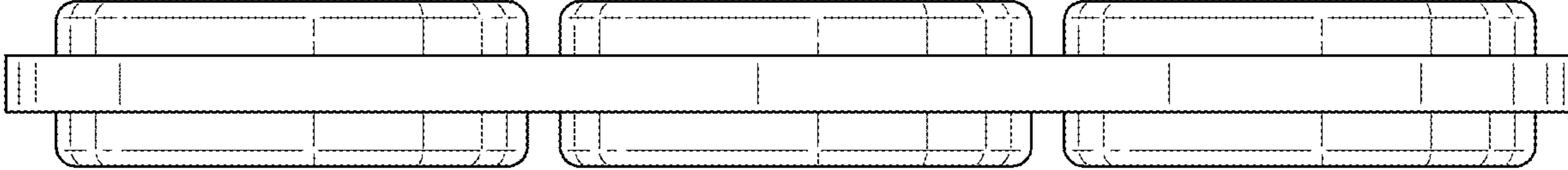


FIG. 4

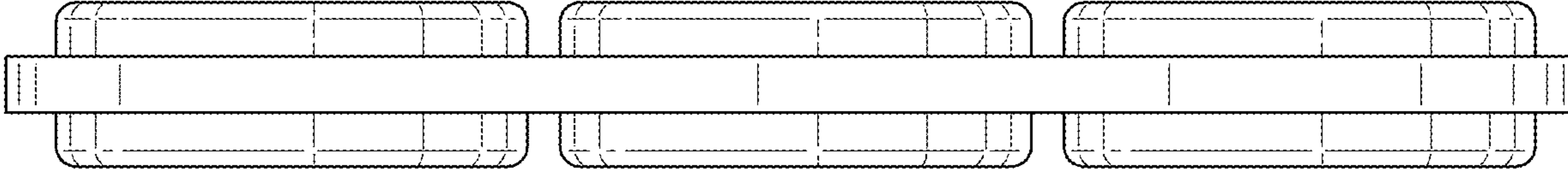


FIG. 5

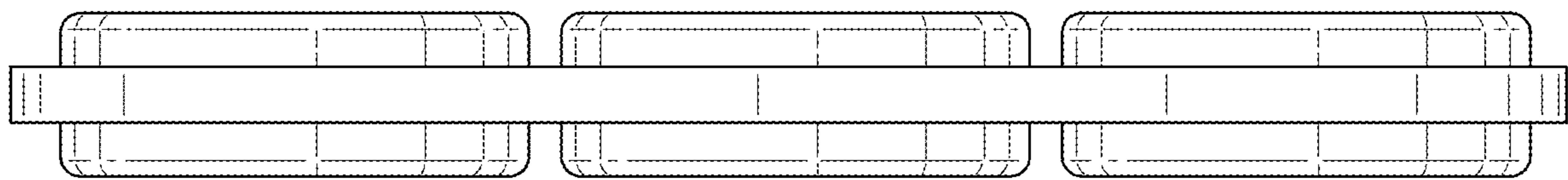


FIG. 6

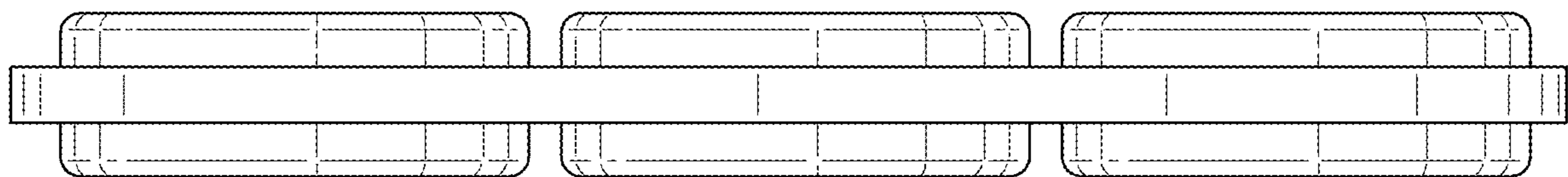


FIG. 7