



US00D899062S

(12) **United States Design Patent** (10) **Patent No.:** **US D899,062 S**  
**Tæstensen** (45) **Date of Patent:** **\*\* Oct. 20, 2020**

(54) **FOOTWEAR ELEMENT**  
(71) Applicant: **ECCO Sko A/S**, Bredebro (DK)  
(72) Inventor: **Niki Tæstensen**, Flensburg (DE)  
(73) Assignee: **ECCO Sko A/S**, Bredebro (DK)  
(\*\*) Term: **15 Years**

(21) Appl. No.: **29/667,369**  
(22) Filed: **Oct. 19, 2018**  
(51) **LOC (12) Cl.** ..... **02-04**  
(52) **U.S. Cl.**  
USPC ..... **D2/972**  
(58) **Field of Classification Search**  
USPC ..... D2/896, 909–915, 925–942, 946,  
D2/969–971, 976  
CPC ..... A43B 21/00; A43B 21/02; A43B 21/06;  
A43B 9/14; A43B 1/0045; A43B 13/10;  
A43B 13/12; A43B 23/06; A43B 23/24;  
A43B 23/07; A43B 1/0036; A43B 5/12  
See application file for complete search history.

(56) **References Cited**  
**U.S. PATENT DOCUMENTS**  
D293,970 S \* 2/1988 Brown ..... D2/970  
D304,389 S \* 11/1989 Miller ..... D2/970  
D307,509 S \* 5/1990 Kittle ..... D2/969  
D321,972 S \* 12/1991 Konarowski ..... D2/946  
D330,452 S \* 10/1992 Hatfield ..... D2/970  
D645,655 S \* 9/2011 Youngs ..... D2/911  
D695,508 S \* 12/2013 Earle ..... D2/970  
D695,510 S \* 12/2013 Earle ..... D2/970  
D849,376 S \* 5/2019 Davis ..... D2/946

\* cited by examiner

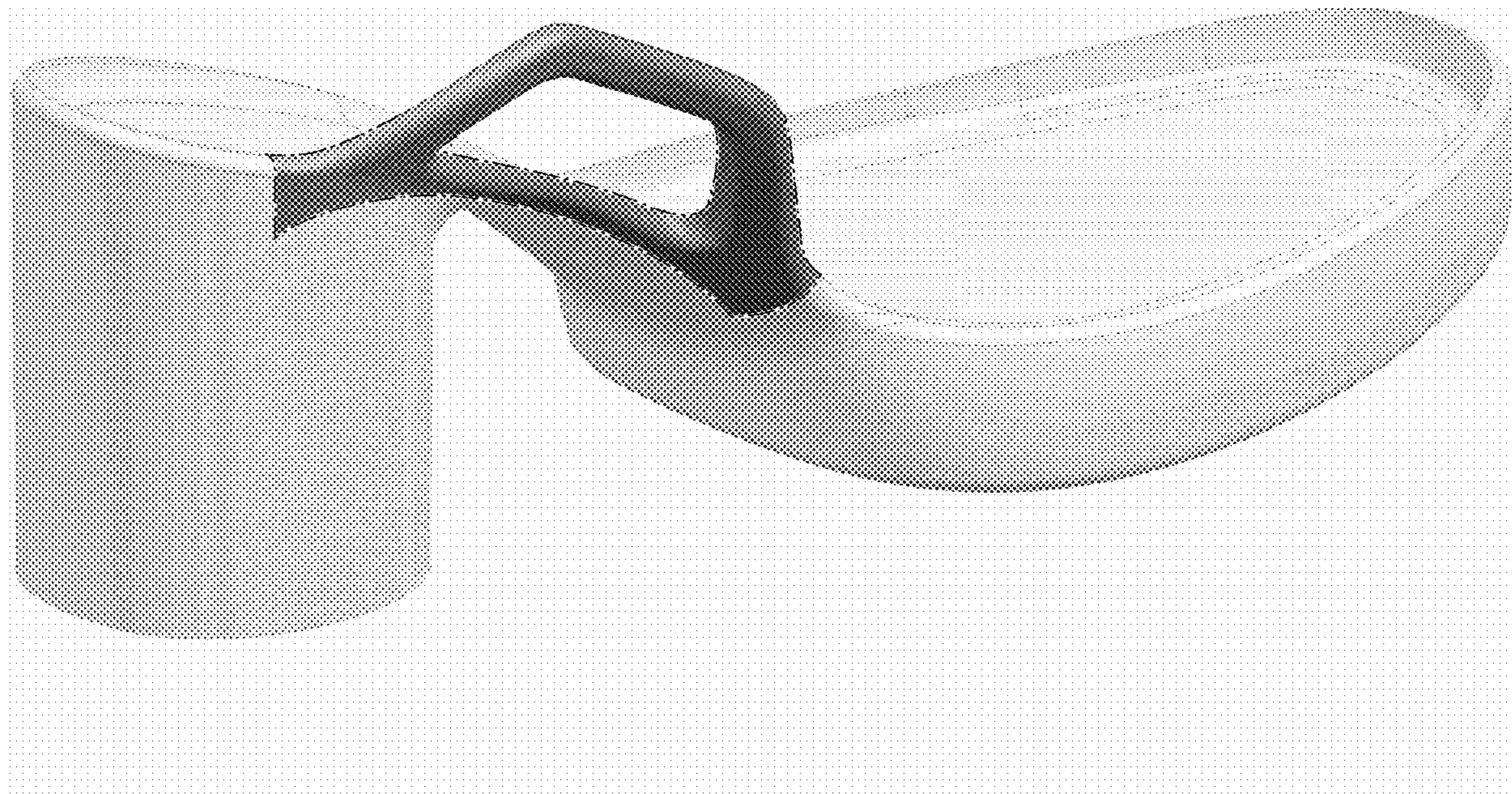
Primary Examiner — Dominic V Simone

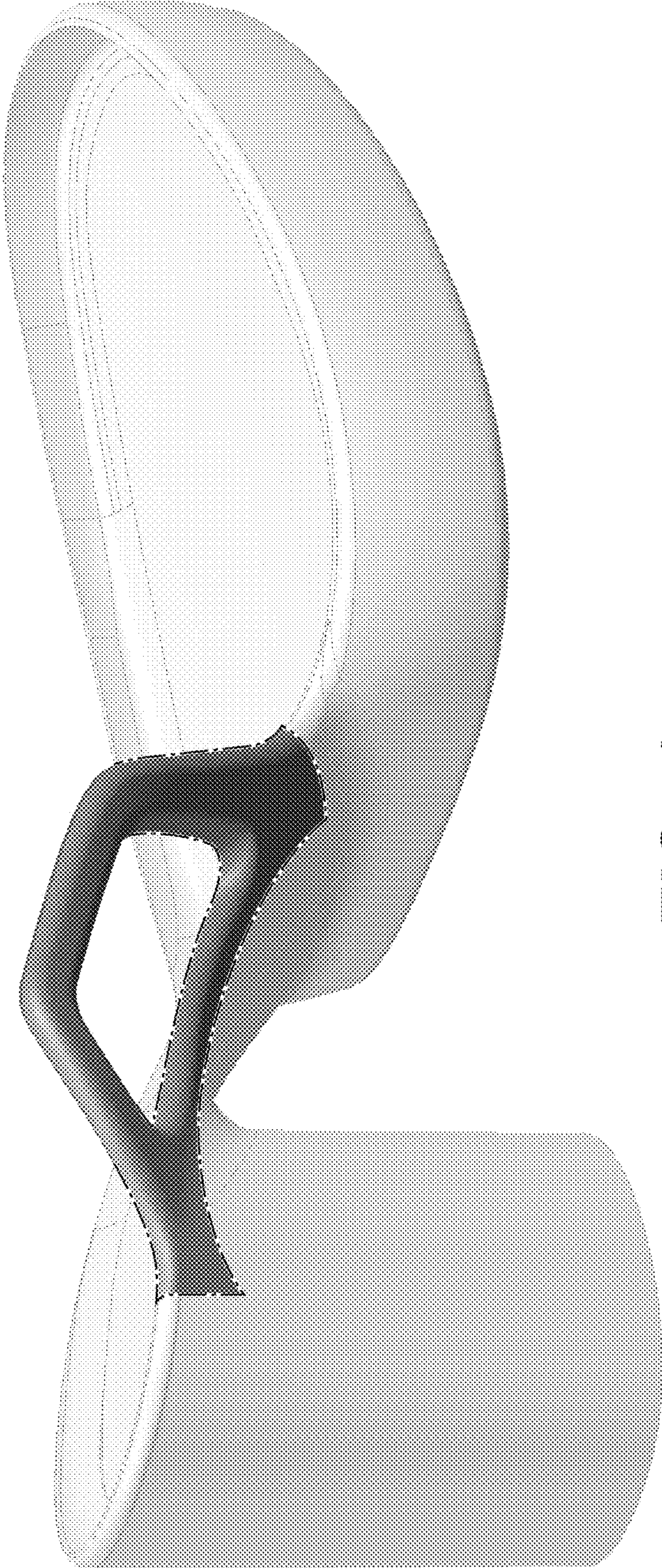
(74) *Attorney, Agent, or Firm* — Finnegan, Henderson, Farabow, Garrett & Dunner, LLP

(57) **CLAIM**  
The ornamental design for a footwear element, as shown and described.

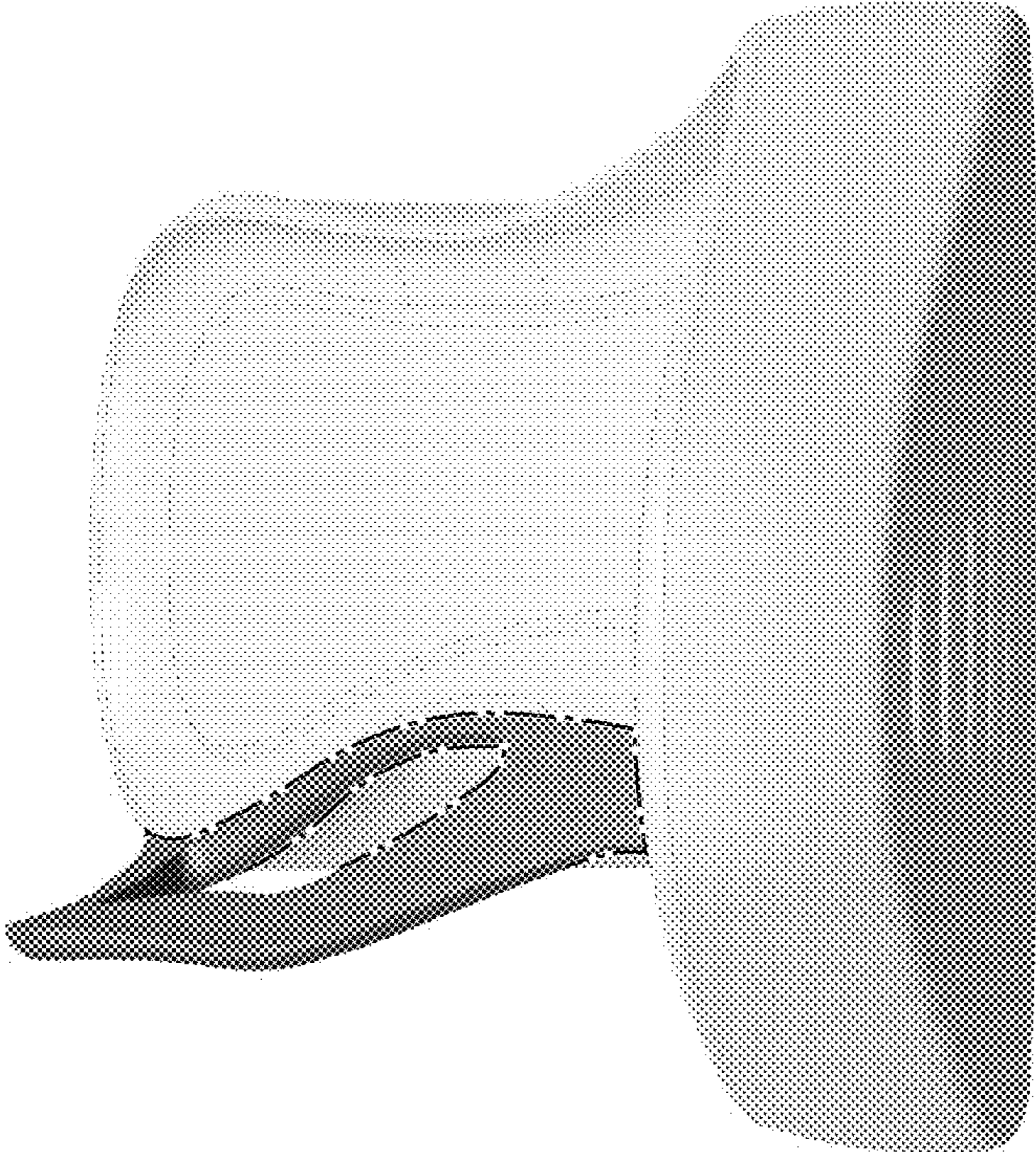
**DESCRIPTION**  
FIG. 1 is a rear perspective view of a footwear element showing my new design;  
FIG. 2 is a front elevation view thereof;  
FIG. 3 is a rear elevation view thereof;  
FIG. 4 is a left side view thereof;  
FIG. 5 is a right side view thereof;  
FIG. 6 is a top plan view thereof;  
FIG. 7 is a bottom plan view thereof.  
FIG. 8 is a rear perspective view of a footwear element applied to a second shoe showing my new design;  
FIG. 9 is a front elevation view thereof;  
FIG. 10 is a rear elevation view thereof;  
FIG. 11 is a left side view thereof;  
FIG. 12 is a right side view thereof;  
FIG. 13 is a top plan view thereof; and  
FIG. 14 is a bottom plan view thereof.  
FIG. 15 is a rear perspective view of a footwear element applied to a third shoe showing my new design;  
FIG. 16 is a front elevation view thereof;  
FIG. 17 is a rear elevation view thereof;  
FIG. 18 is a left side view thereof;  
FIG. 19 is a right side view thereof;  
FIG. 20 is a top plan view thereof; and  
FIG. 21 is a bottom plan view thereof.  
The dot-dash lines illustrate the boundary of the claimed design and form no part thereof. The portions of the figures shown in lighter contrast illustrate the environment and form no part of the claimed design.

**1 Claim, 21 Drawing Sheets**

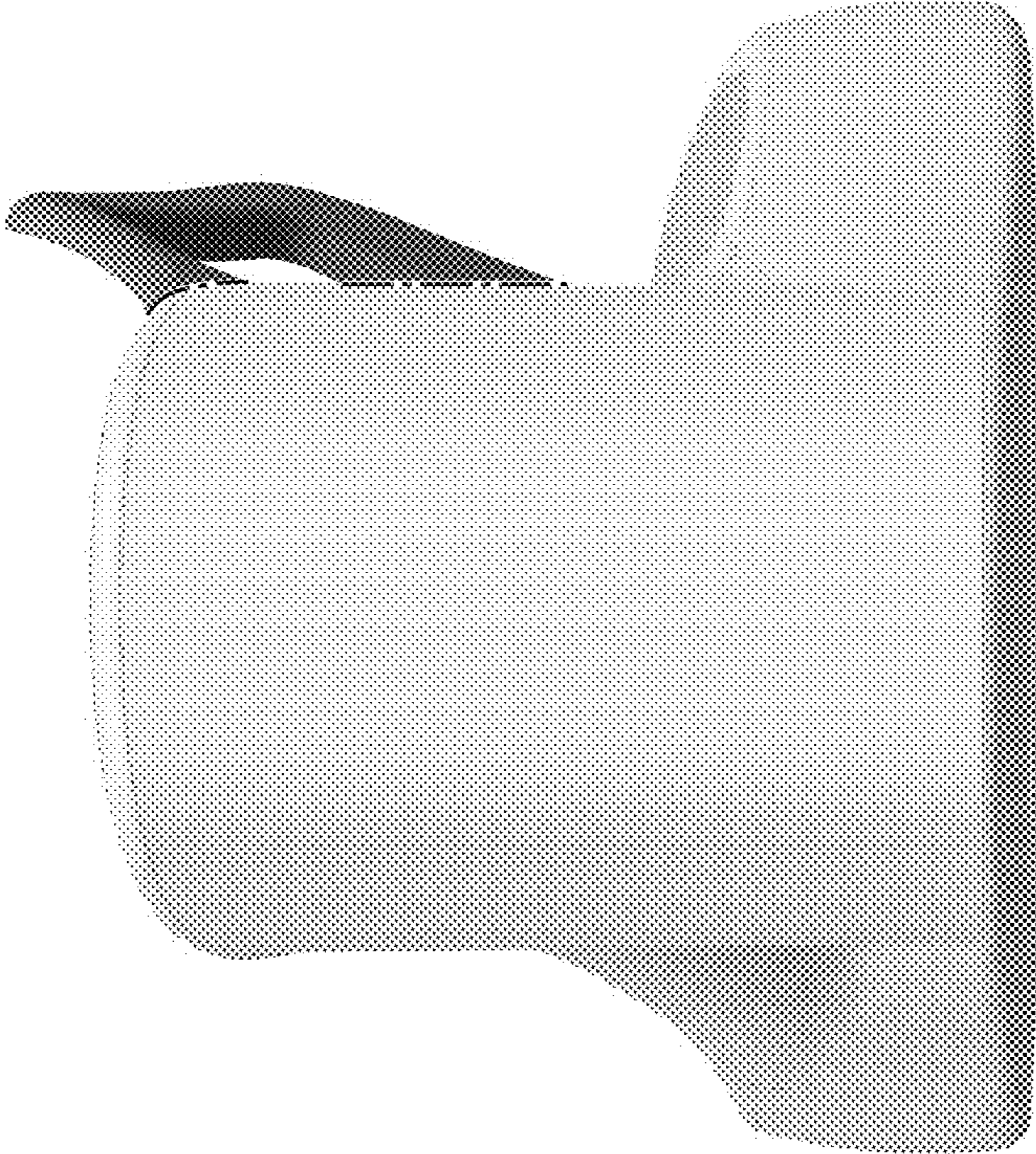




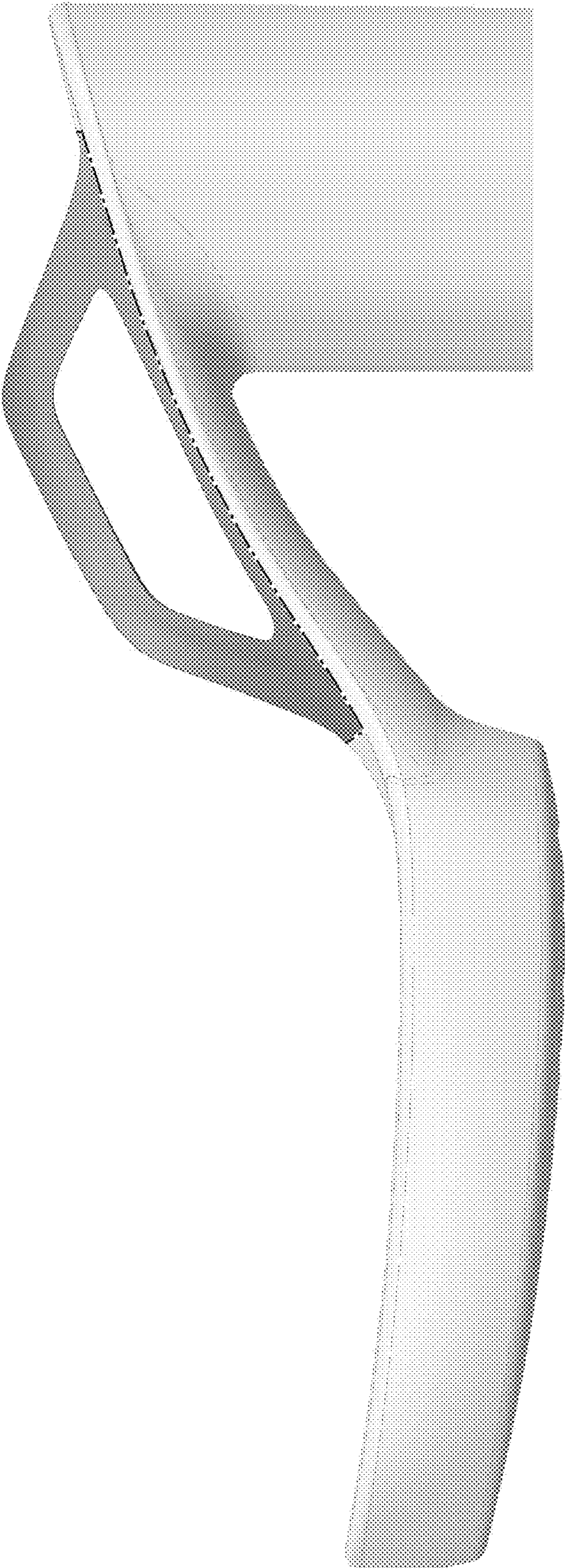
**FIG. 1**



**FIG. 2**



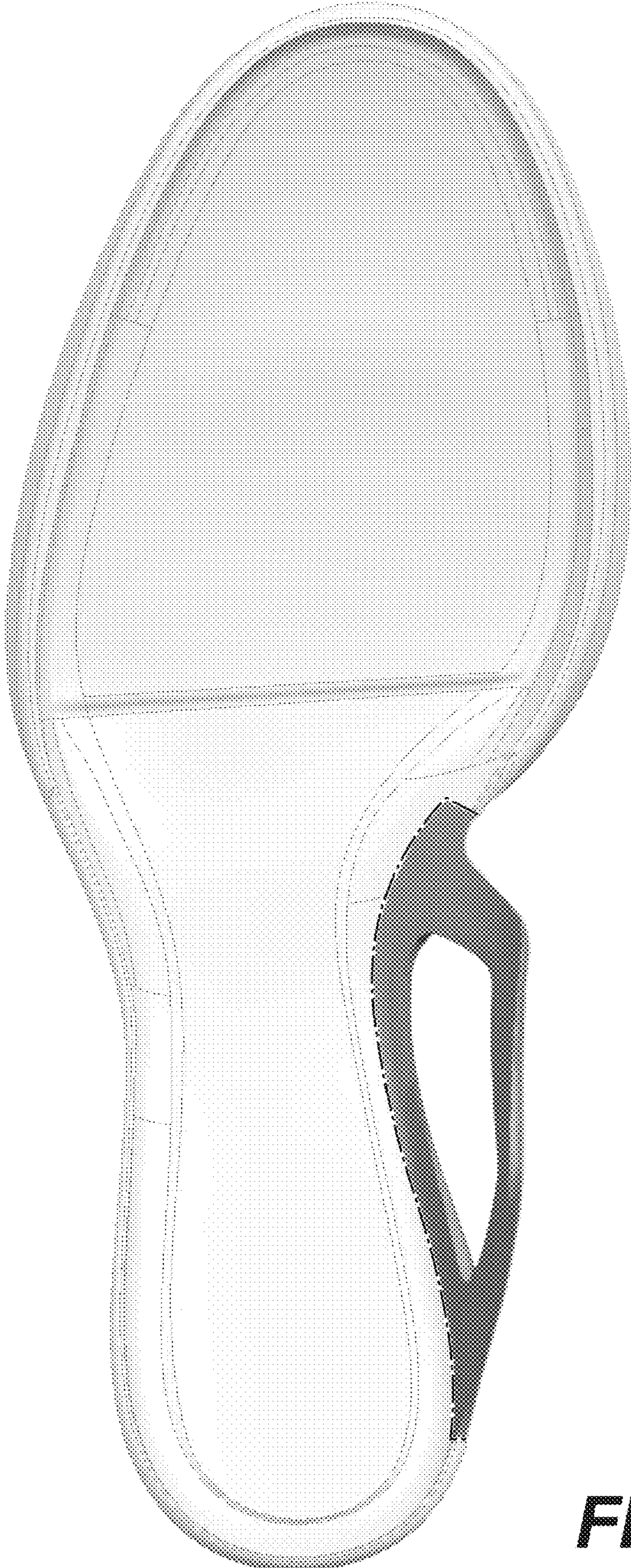
**FIG. 3**



**FIG. 4**



**FIG. 5**

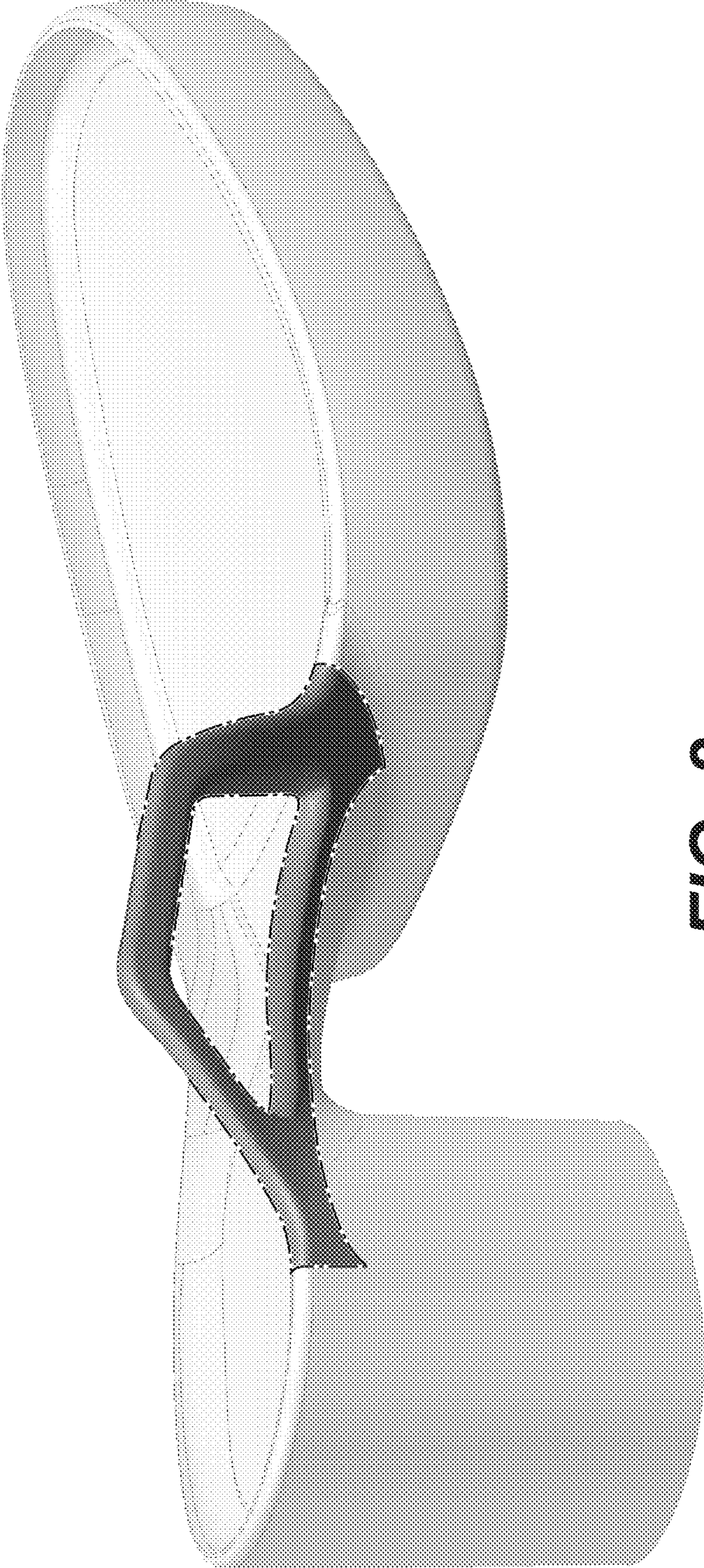


**FIG. 6**

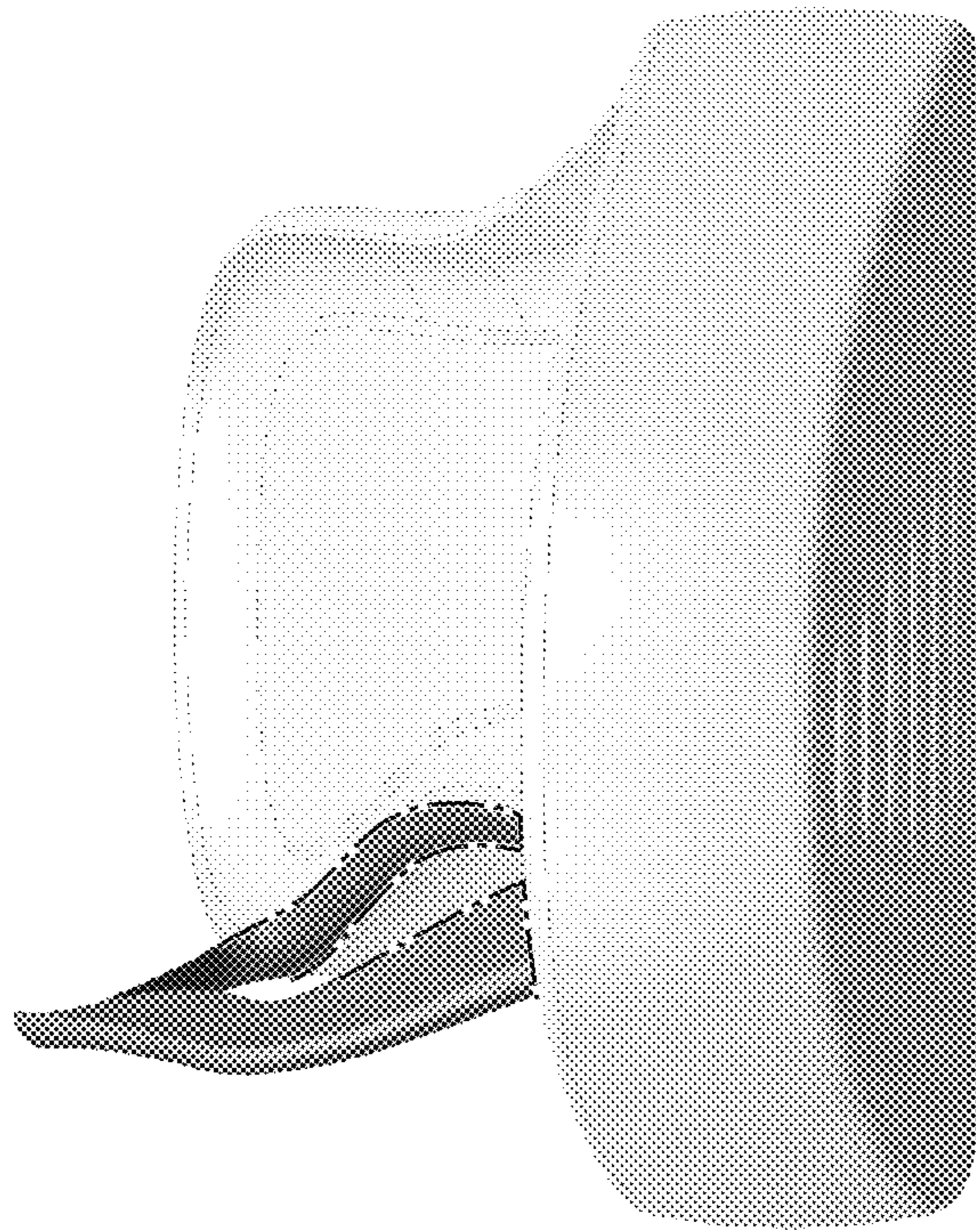


**FIG. 7**

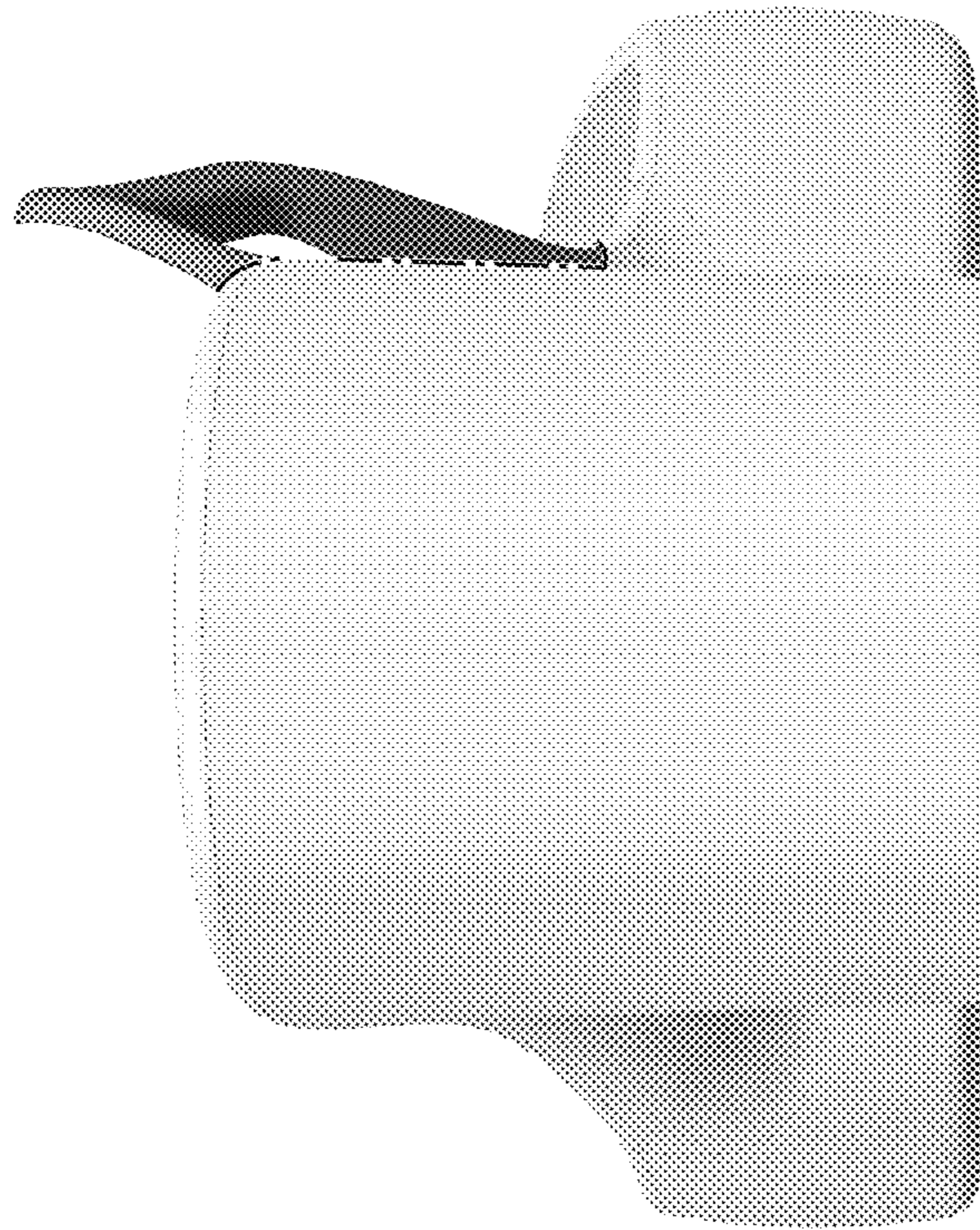




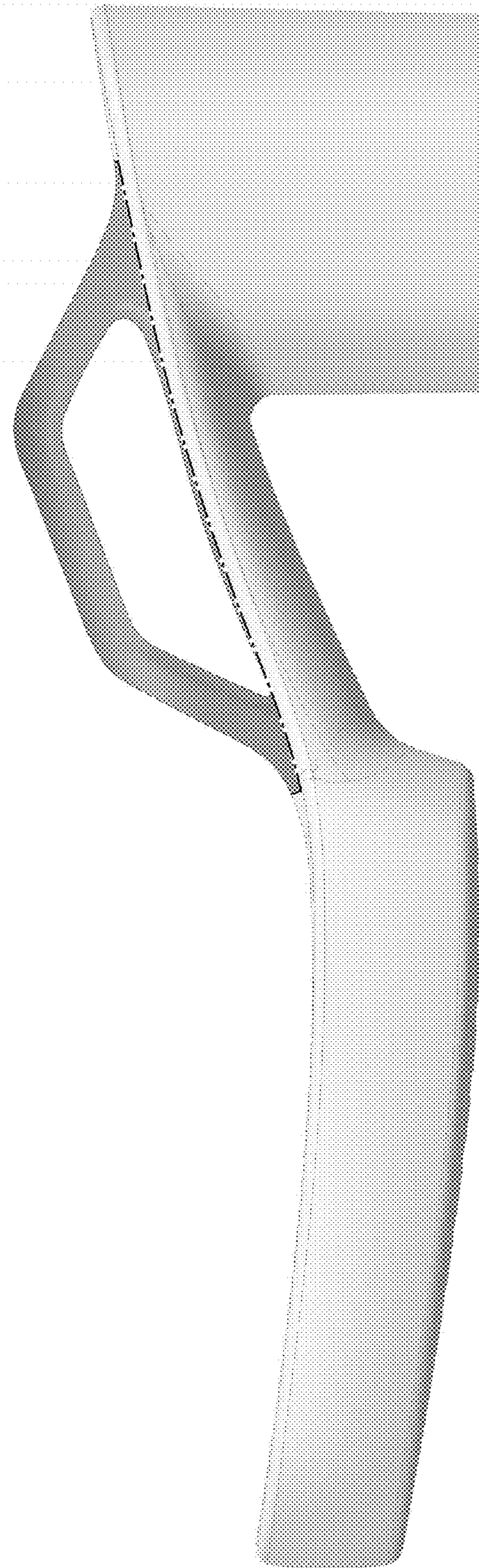
**FIG. 8**



**FIG. 9**



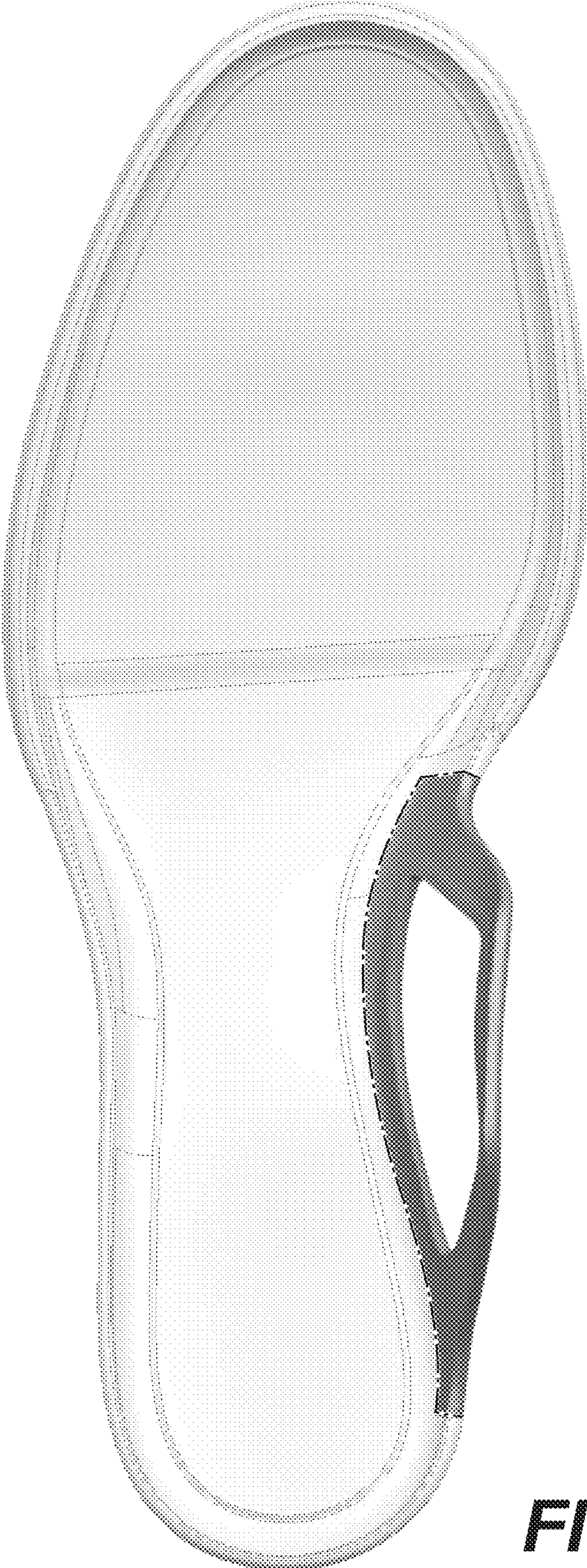
**FIG. 10**



**FIG. 11**



**FIG. 12**



**FIG. 13**

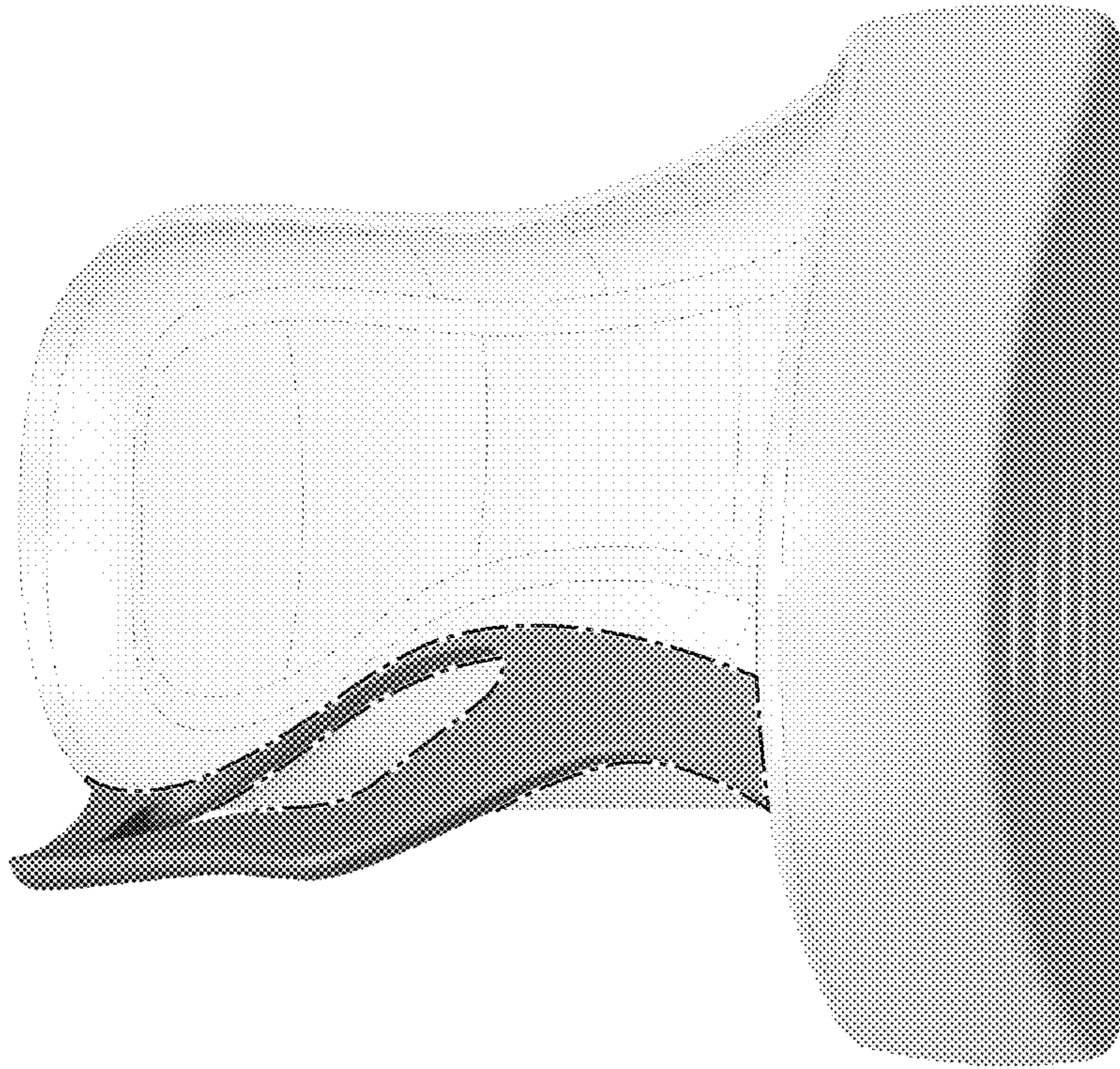


**FIG. 14**

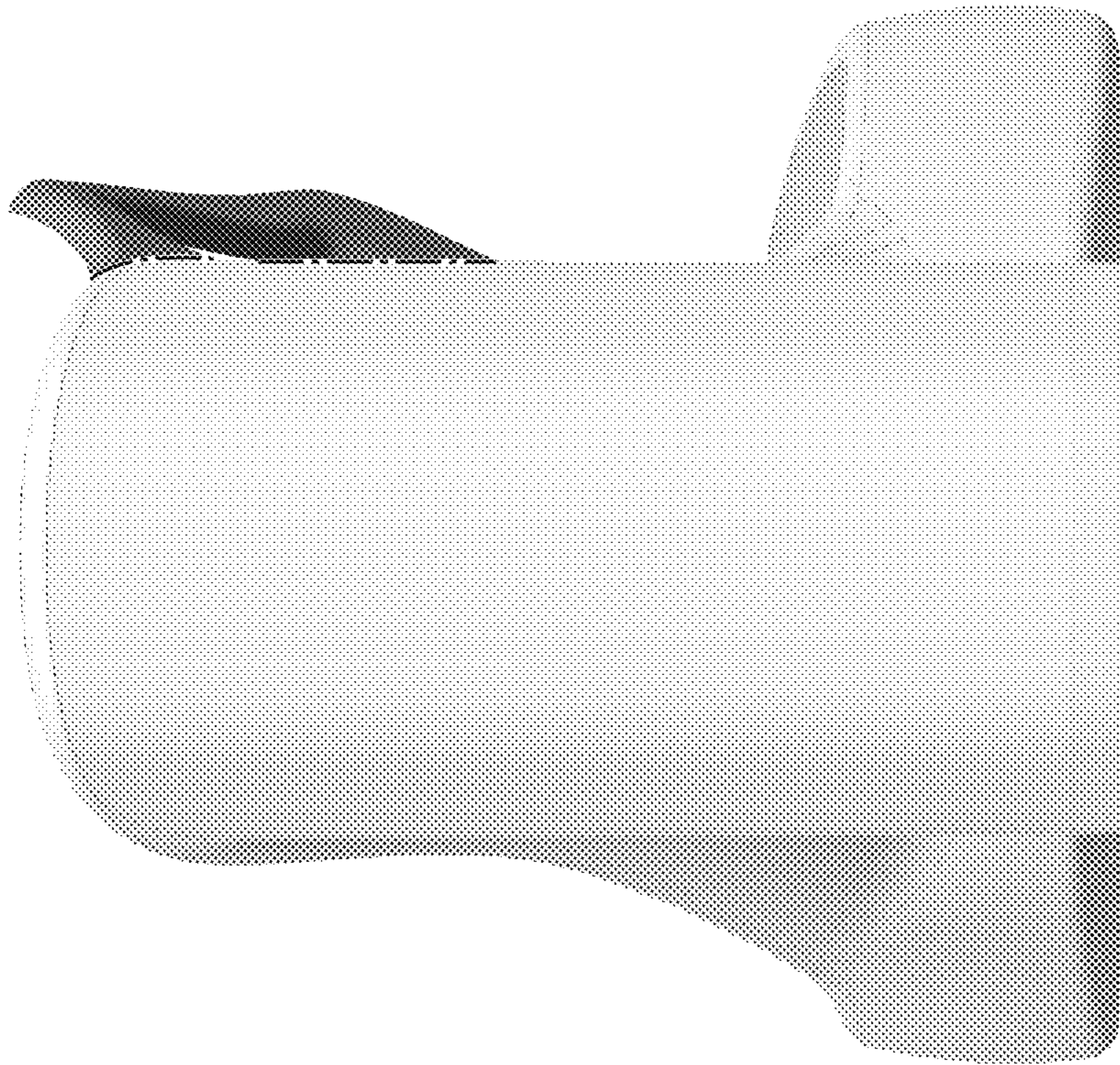


**FIG. 15**

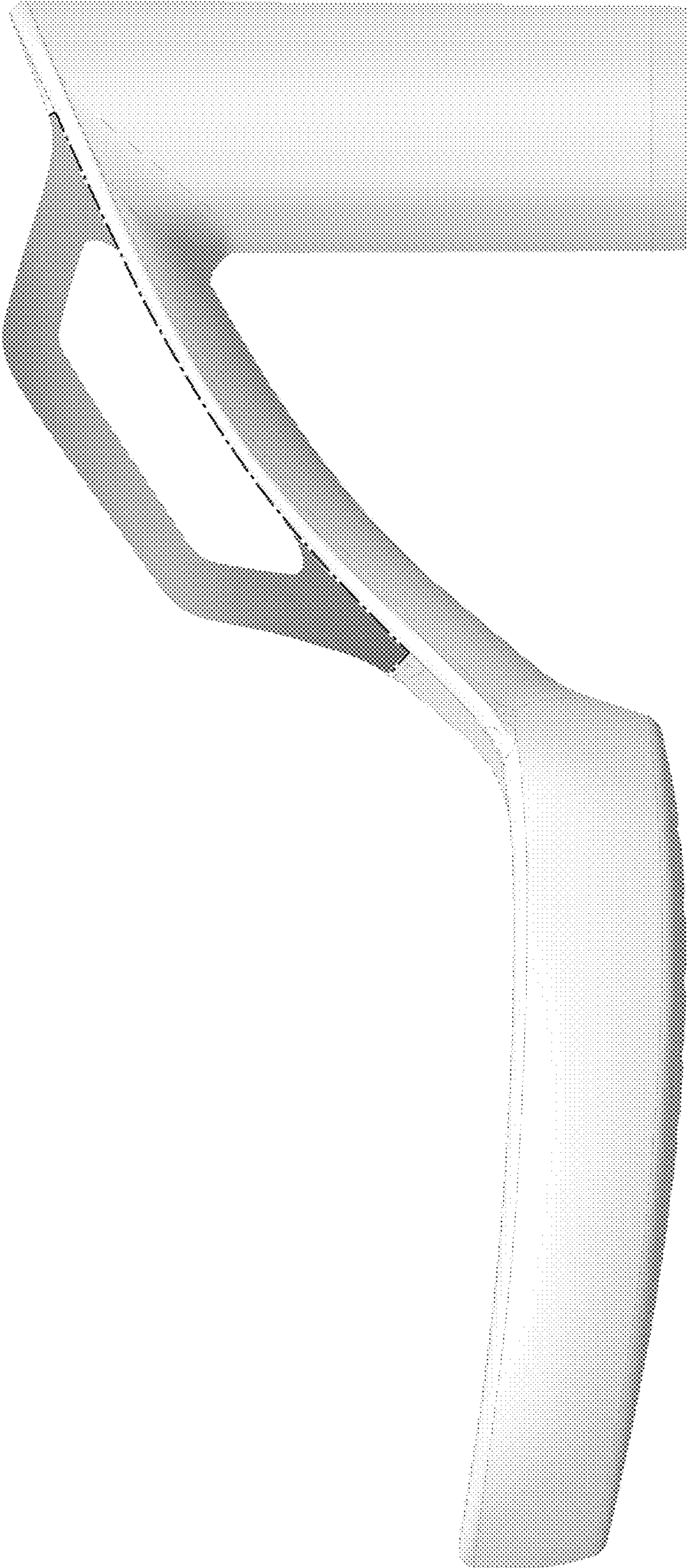




**FIG. 16**



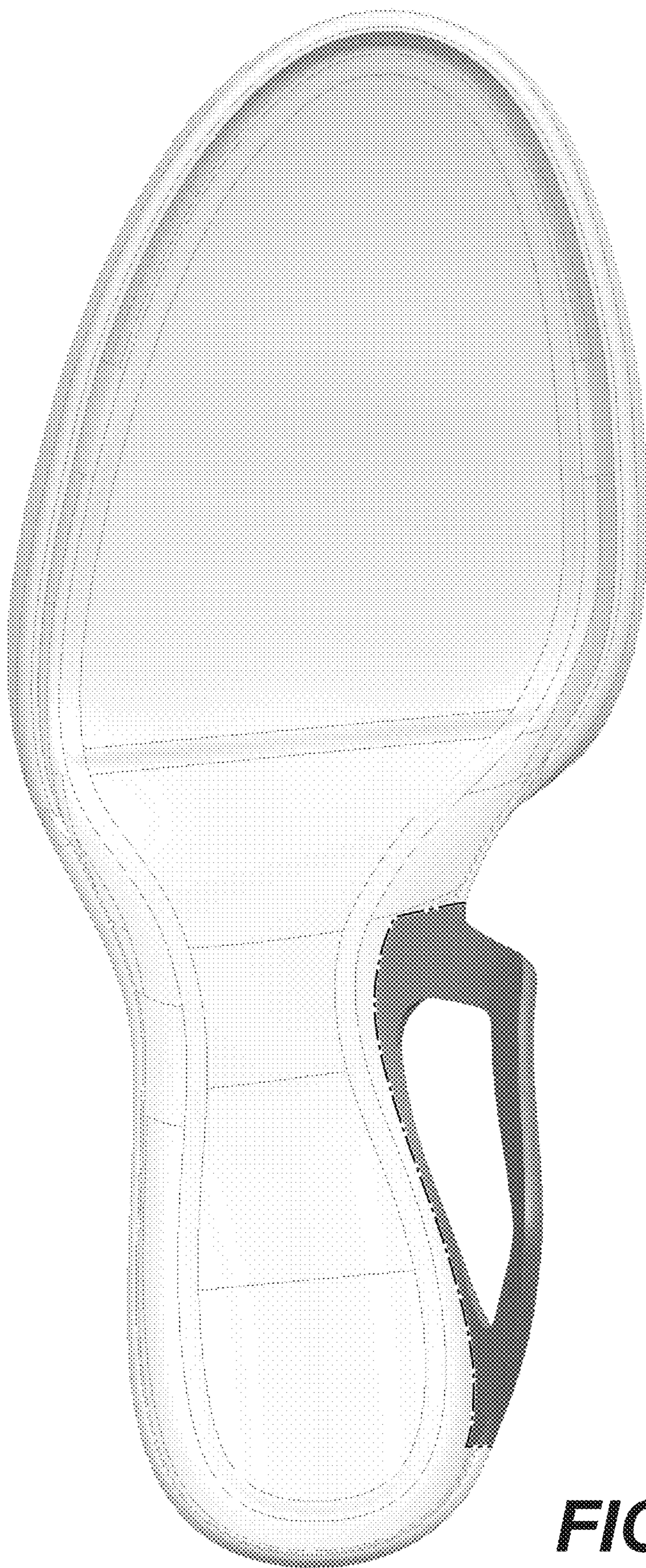
**FIG. 17**



**FIG. 18**



**FIG. 19**



**FIG. 20**



**FIG. 21**