



US00D899054S

(12) **United States Design Patent** (10) **Patent No.:** **US D899,054 S**  
**Adepoju** (45) **Date of Patent:** **\*\* Oct. 20, 2020**

- (54) **MODULAR SHOE**
- (71) Applicant: **Fini Holding Corporation**, New York, NY (US)
- (72) Inventor: **Damilola Adepoju**, New York, NY (US)
- (73) Assignee: **Fini Holding Corporation**, New York, NY (US)
- (\*\*) Term: **15 Years**
- (21) Appl. No.: **29/651,473**
- (22) Filed: **Aug. 16, 2018**
- (51) **LOC (12) Cl.** ..... **02-04**
- (52) **U.S. Cl.**  
USPC ..... **D2/970; D2/973**
- (58) **Field of Classification Search**  
USPC ..... D2/896, 902, 906-909, 914, 943-946, D2/961, 962, 969, 970, 972-974, 976, D2/977  
CPC .. A43B 5/06; A43B 5/10; A43B 5/185; A43B 23/081; A43B 23/087; A43B 23/22; A43B 23/227; A43B 3/242  
See application file for complete search history.

- (56) **References Cited**  
U.S. PATENT DOCUMENTS  
854,274 A \* 5/1907 Crook ..... A43B 3/242 36/1.5  
3,350,796 A \* 11/1967 Bealle ..... A43B 5/025 36/133  
D262,582 S \* 1/1982 Moore ..... D2/908  
4,766,681 A \* 8/1988 O'Rourke ..... A43B 5/00 36/114  
D575,050 S \* 8/2008 St-Louis ..... A43B 5/025 D2/970

- 8,065,821 B1 \* 11/2011 Reid ..... A43C 11/06 36/100
- D665,158 S \* 8/2012 Castellon ..... A43B 5/00 D2/970
- D666,800 S \* 9/2012 Edwards ..... D2/911
- D741,054 S \* 10/2015 Stillwagon ..... D2/944
- D763,558 S \* 8/2016 Bacchin ..... A43C 3/00 D2/944
- D782,165 S \* 3/2017 Slimane ..... D2/902
- D812,359 S \* 3/2018 Clough ..... D2/970
- D841,302 S \* 2/2019 Mondelli ..... D2/970
- D853,692 S \* 7/2019 Smith ..... A43B 3/02 D2/911
- 2018/0338566 A1 \* 11/2018 Hatfield ..... A43C 3/00
- 2019/0239593 A1 \* 8/2019 Willis ..... A43B 3/02
- 2020/0046066 A1 \* 2/2020 DiFrancisco ..... A43B 3/242

\* cited by examiner

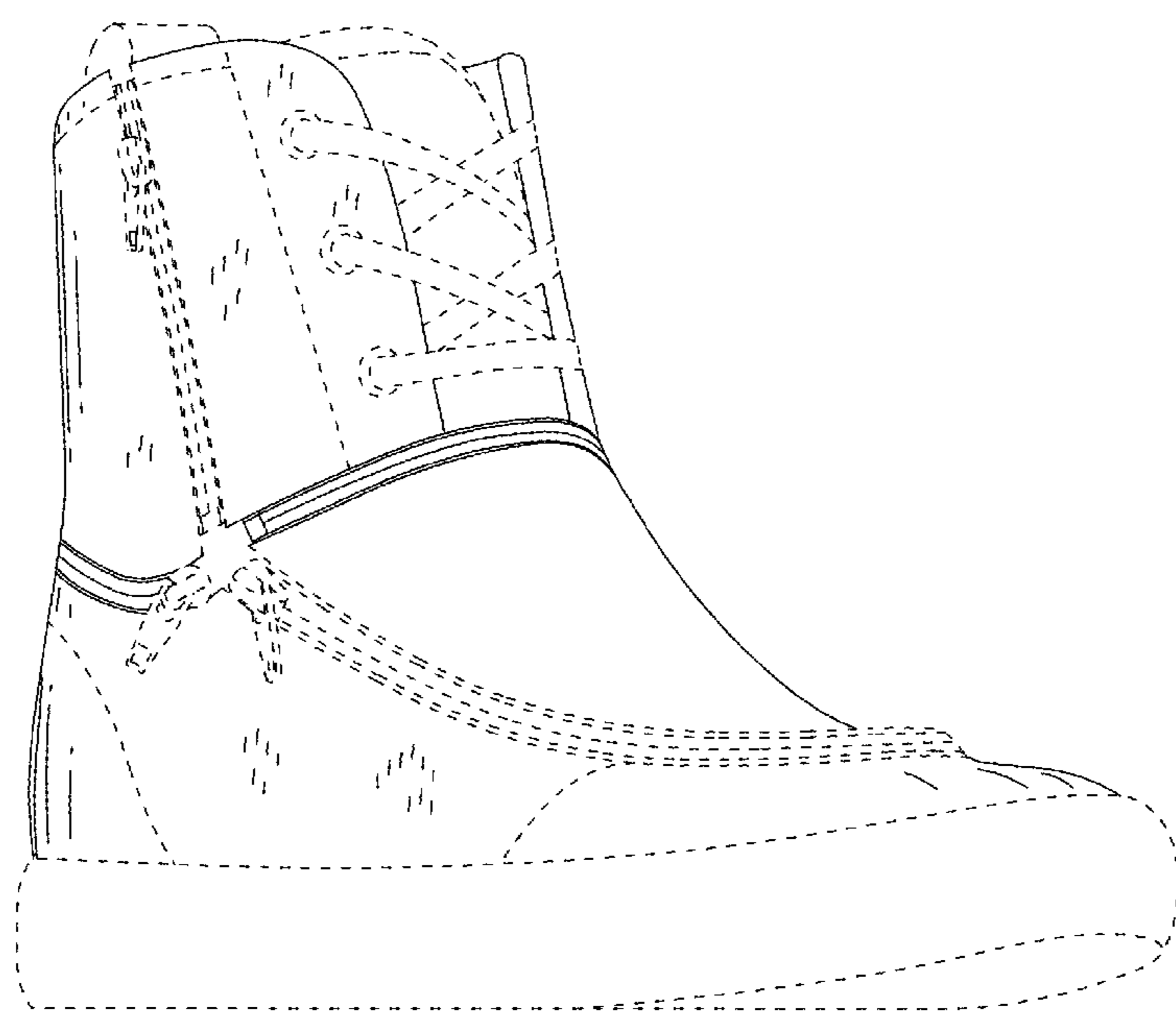
*Primary Examiner* — Kevin K Rudzinski  
*Assistant Examiner* — Clare Ann Gannon  
 (74) *Attorney, Agent, or Firm* — Woods Oviatt Gilman LLP; Dennis B. Danella, Esq.

(57) **CLAIM**  
 The ornamental design for the modular shoe, as shown and described.

**DESCRIPTION**

FIG. 1 is a right side view of a modular shoe showing my new design;  
 FIG. 2 is a left side view thereof;  
 FIG. 3 is a front view thereof;  
 FIG. 4 is a rear view thereof;  
 FIG. 5 is a top view thereof;  
 FIG. 6 is a bottom view thereof; and,  
 FIG. 7 is a front left perspective view thereof.  
 The portions of the drawings shown in broken lines form no part of the claimed design.

**1 Claim, 6 Drawing Sheets**



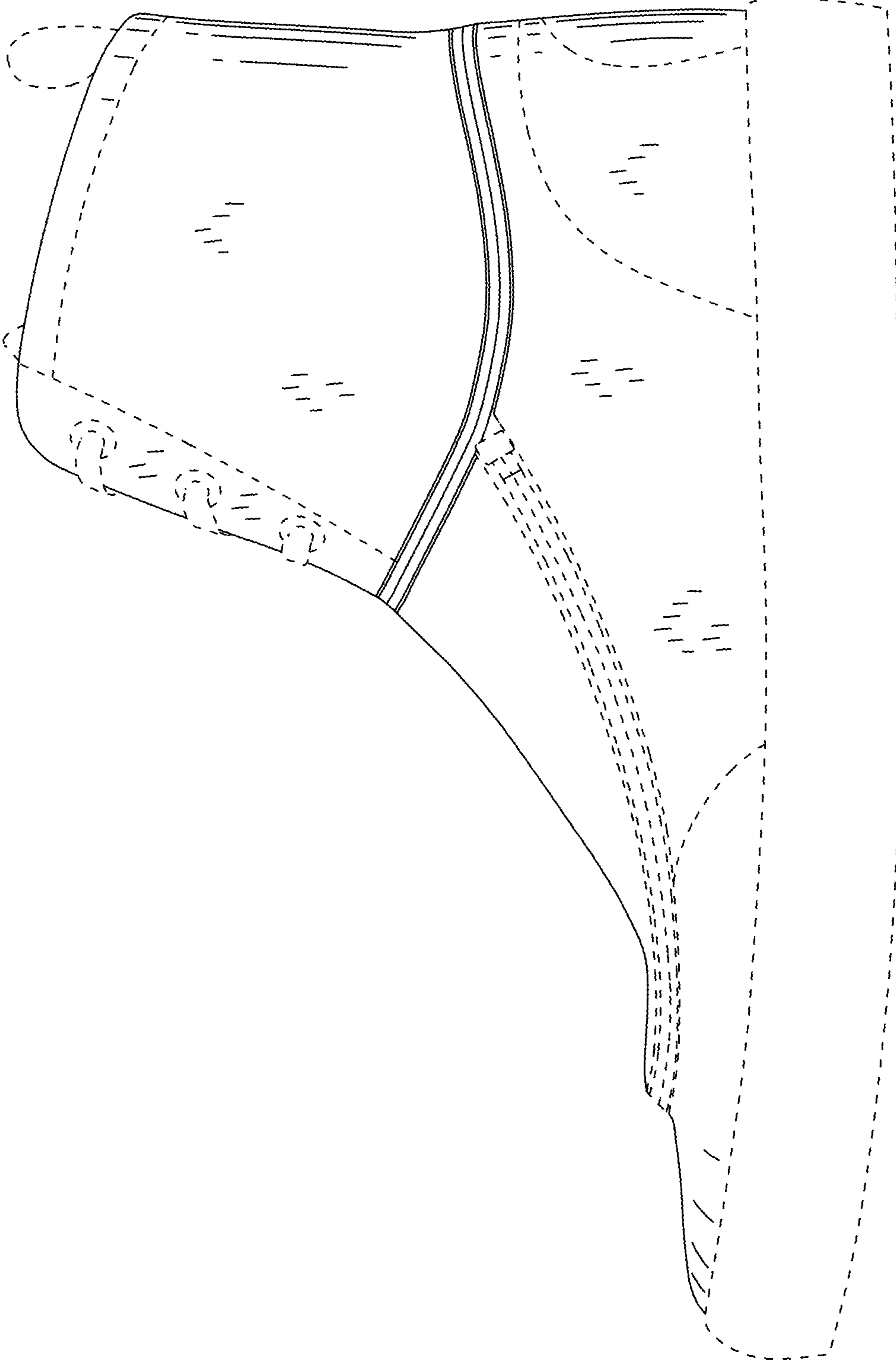


FIG. 1.

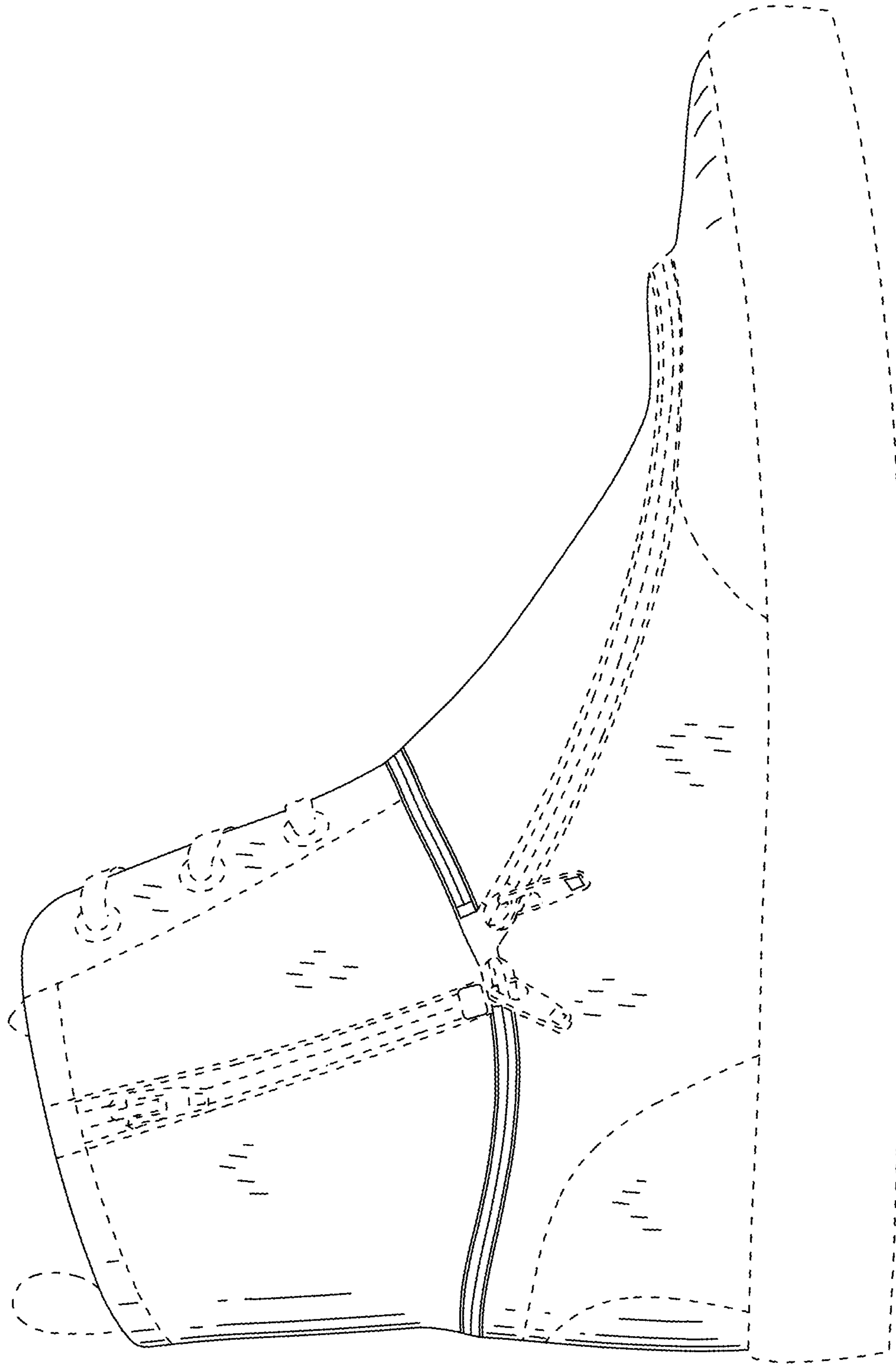


FIG. 2.

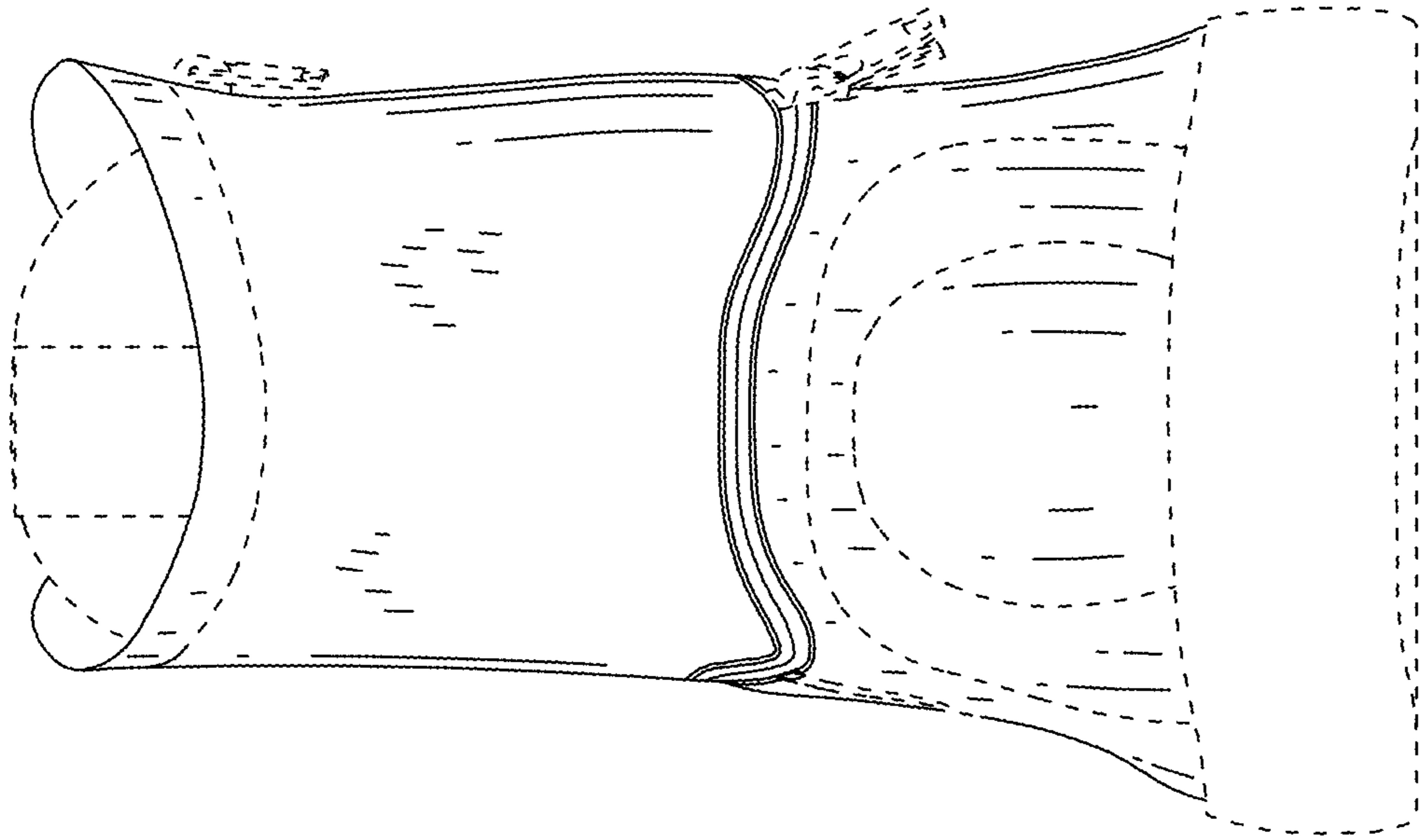


FIG. 4.

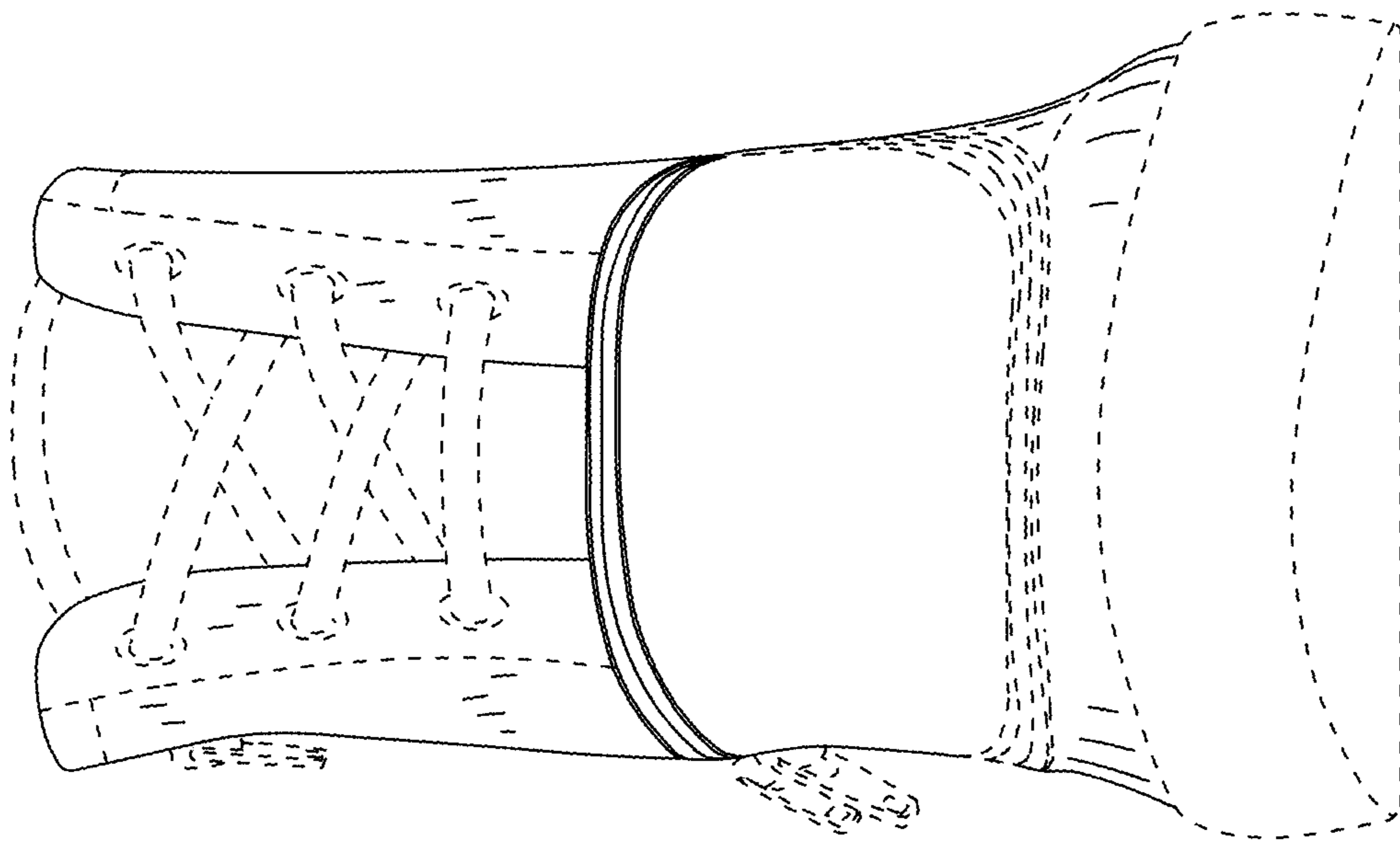


FIG. 3.

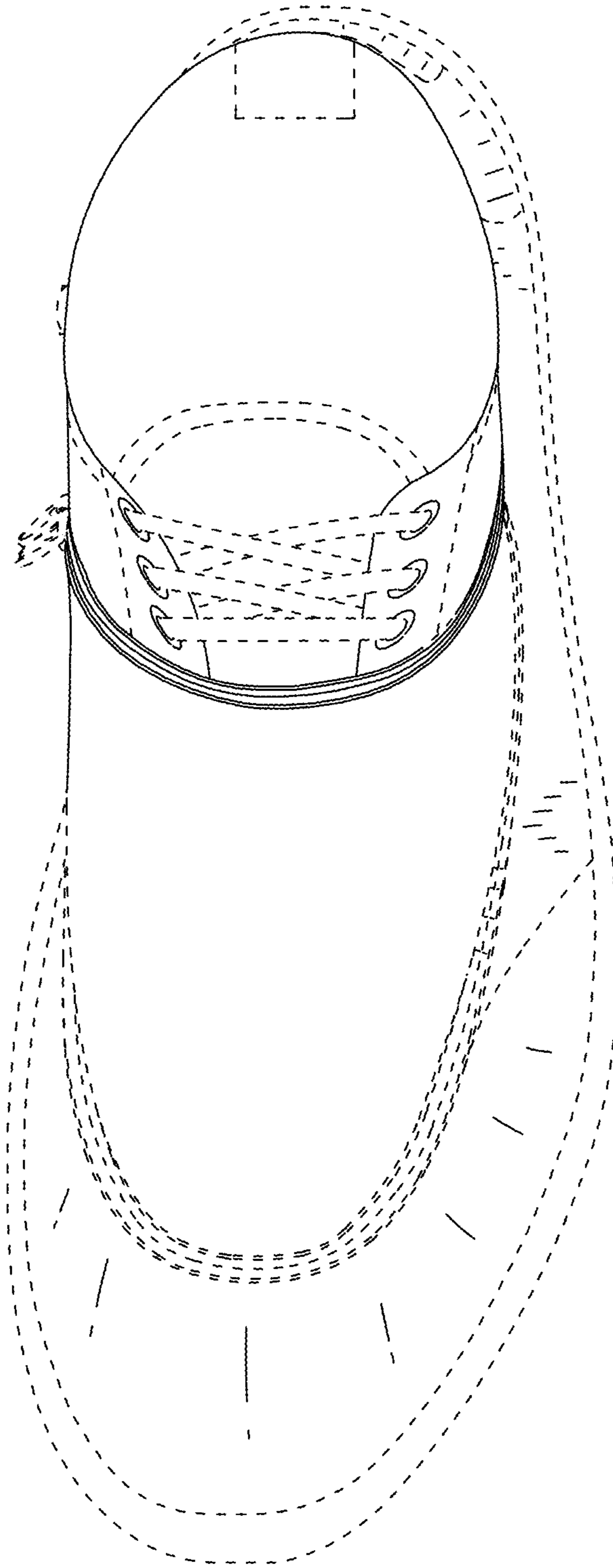


FIG. 5.

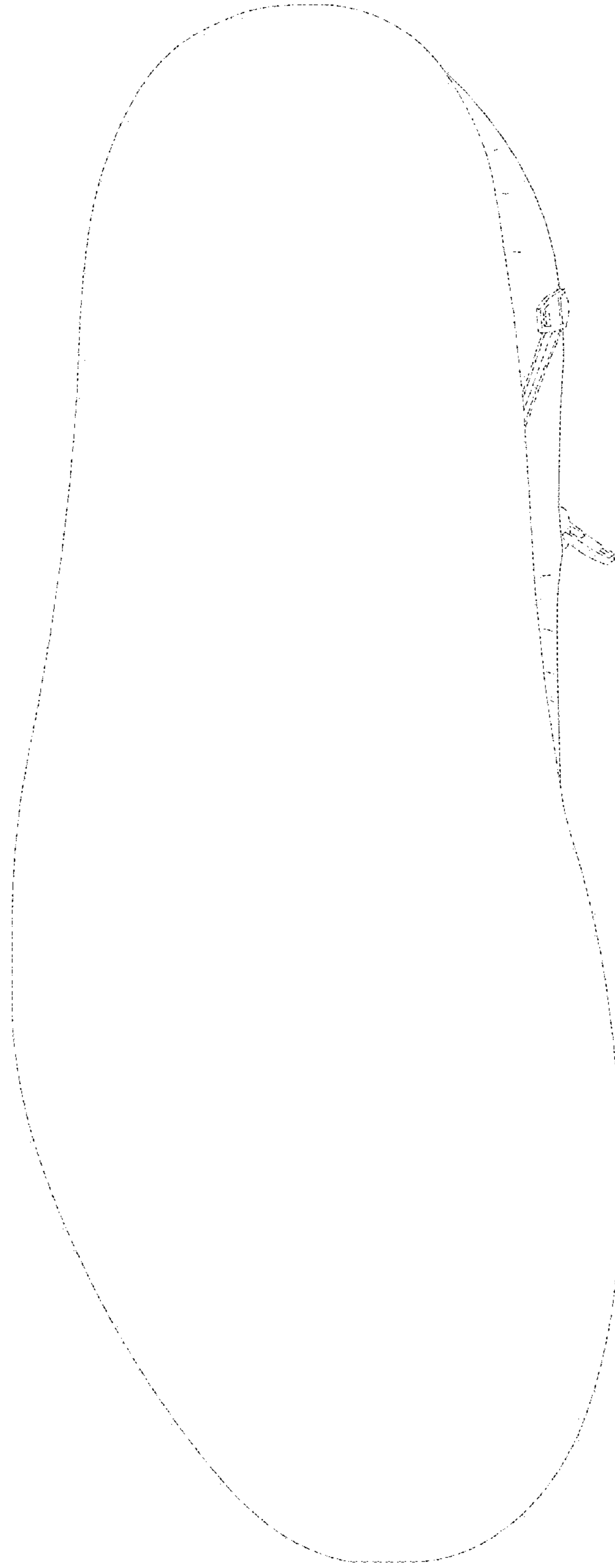


FIG. 6.

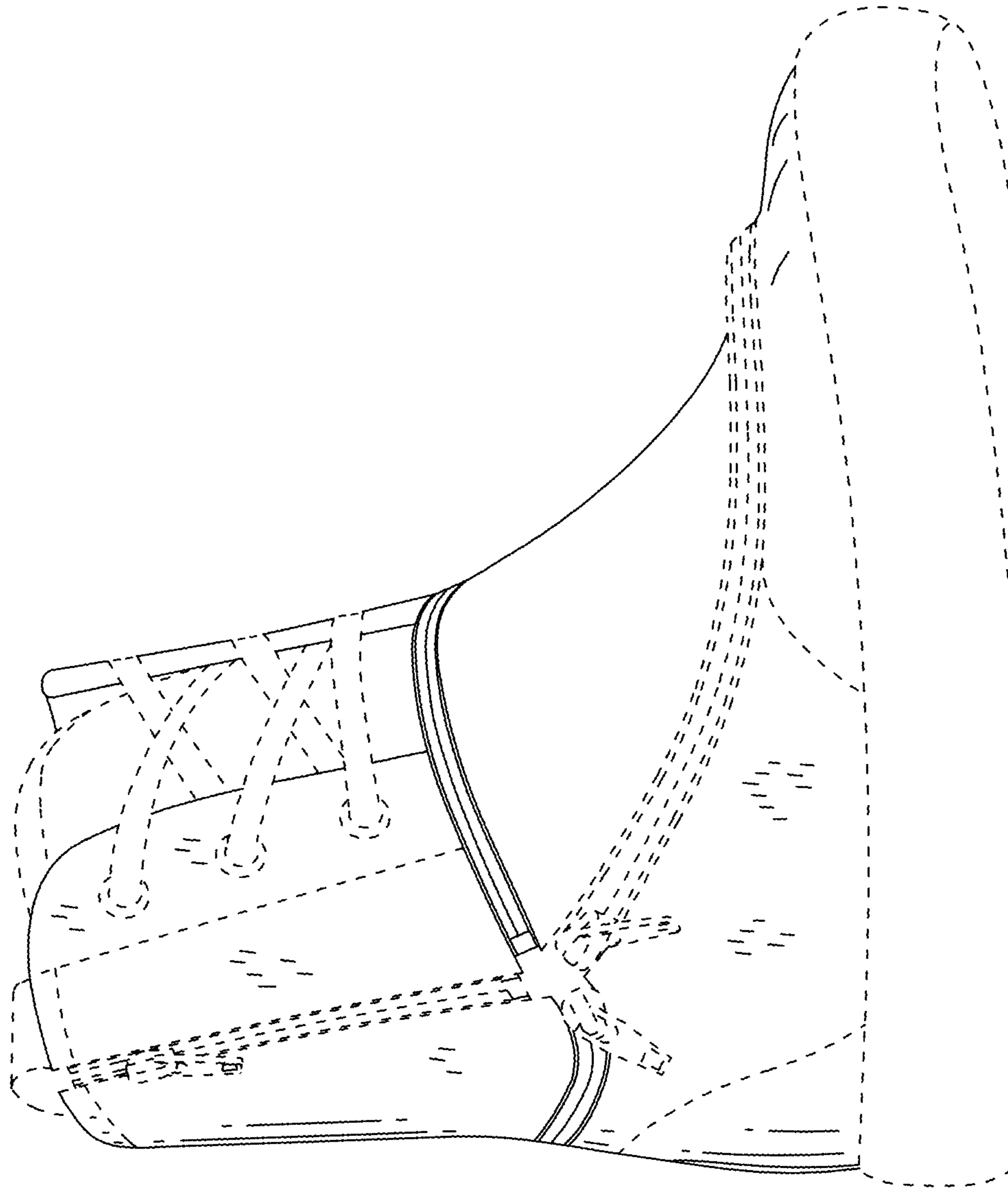


FIG. 7.