



US00D899025S

(12) **United States Design Patent**
Pelletier et al.

(10) **Patent No.:** **US D899,025 S**

(45) **Date of Patent:** **** Oct. 13, 2020**

(54) **CASKET**

(71) Applicant: **Victoriaville & Co. inc.**, Victoriaville (CA)

(72) Inventors: **Jerome Pelletier**, Victoriaville (CA);
Louis Desrosiers, Victoriaville (CA)

(73) Assignee: **VICTORIAVILLE & CO. INC.**,
Victoriaville

(**) Term: **15 Years**

(21) Appl. No.: **29/677,461**

(22) Filed: **Jan. 21, 2019**

(30) **Foreign Application Priority Data**

Aug. 6, 2018 (CA) 182865

(51) **LOC (12) Cl.** **99-00**

(52) **U.S. Cl.**
USPC **D99/1**

(58) **Field of Classification Search**
USPC D99/1, 3, 5; 27/1, 2; 52/136, 139, 124.2
CPC A61G 17/00; A61G 17/08; C03B 11/00;
E03C 1/18
See application file for complete search history.

(56) **References Cited**

U.S. PATENT DOCUMENTS

- 1,837,249 A * 12/1931 Barber B65D 81/07
220/608
- 2,033,807 A * 3/1936 Baloga A61G 13/105
27/1
- 2,115,292 A * 4/1938 Wise E04H 13/00
52/141
- 2,301,182 A * 11/1942 Kaser A45C 11/00
220/4.22
- 2,508,319 A * 5/1950 Westenhaver A61G 17/00
27/35

- 2,811,768 A * 11/1957 Axelson A61G 17/007
27/7
- 3,208,186 A * 9/1965 Fulton A61G 17/007
52/140
- 3,208,188 A * 9/1965 Fulton A61G 17/007
52/138

(Continued)

Primary Examiner — Paula Allen Greene

(74) *Attorney, Agent, or Firm* — Alexandre Daoust;
Norton Rose Fulbright Canada LLP

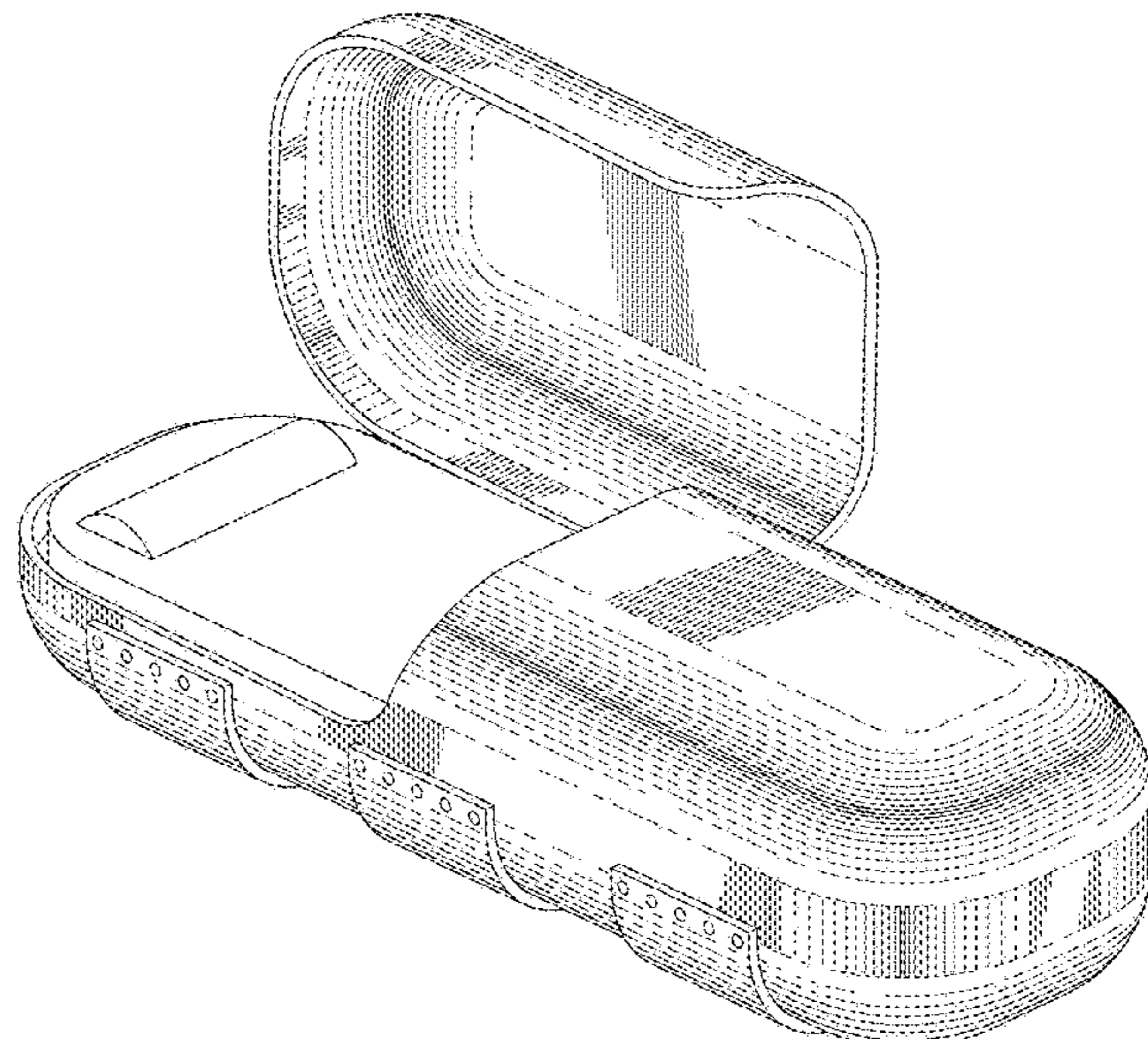
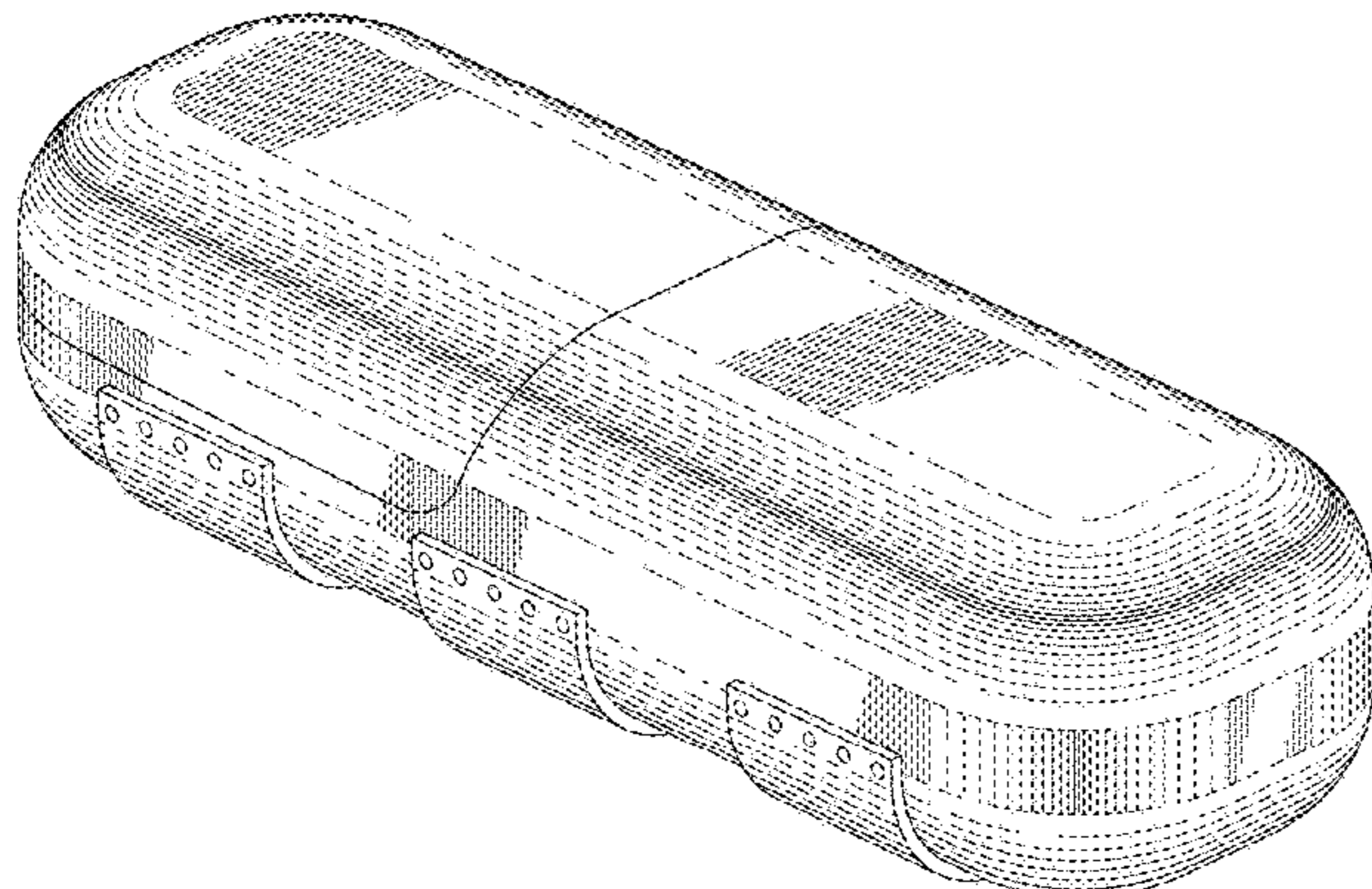
(57) **CLAIM**

The ornamental design for a casket, as shown and described.

DESCRIPTION

FIG. 1 is an oblique view of a first embodiment of a casket, in a closed configuration, showing our new design;
 FIG. 2 is a top plan view thereof;
 FIG. 3 is a right side elevation view thereof;
 FIG. 4 is a left side elevation view thereof;
 FIG. 5 is a front elevation view thereof;
 FIG. 6 is a rear elevation view thereof;
 FIG. 7 is a bottom view thereof;
 FIG. 8 is another oblique view thereof, in an open configuration;
 FIG. 9 is an oblique view of a second embodiment of the casket in a closed configuration;
 FIG. 10 is a top plan view thereof;
 FIG. 11 is a right side elevation view thereof;
 FIG. 12 is a left side elevation view thereof;
 FIG. 13 is a front elevation view thereof;
 FIG. 14 is a rear elevation view thereof;
 FIG. 15 is a bottom view thereof; and,
 FIG. 16 is another oblique view thereof, in an open configuration.
 Solid line shading is used to better illustrate the three-dimensional ornamental features of the design.

1 Claim, 14 Drawing Sheets



(56)

References Cited

U.S. PATENT DOCUMENTS

3,348,280	A *	10/1967	Myers	A61G 17/00	27/2
D220,999	S *	6/1971	Poulin	D99/1	
D242,153	S *	11/1976	Acton	D99/1	
4,253,220	A *	3/1981	Work	A61G 17/00	27/35
4,800,631	A *	1/1989	Pellmann	A61G 17/00	27/2
D300,978	S *	5/1989	Bethune	D99/1	
D328,176	S *	7/1992	Ruble	D99/3	
5,222,281	A *	6/1993	Guerin	A61G 17/00	27/10
5,314,696	A *	5/1994	Paulos	A61J 3/07	424/451
5,526,616	A *	6/1996	Bamberg	E04H 13/00	52/138
5,531,000	A *	7/1996	Biondo	A61G 17/04	16/424
5,659,932	A *	8/1997	Wright	A01N 1/00	27/17
5,680,682	A *	10/1997	Watkins	A61G 17/02	264/572
6,318,030	B1 *	11/2001	McClure	E04H 13/00	220/671
D528,733	S *	9/2006	Spiegel	D99/1	
7,703,186	B1 *	4/2010	Williamson	A61G 17/02	27/2
8,214,978	B1 *	7/2012	Moran	A61G 17/041	220/345.2
D672,934	S *	12/2012	Salomon	D99/1	
D711,063	S *	8/2014	Kemble	D99/1	
8,955,205	B2 *	2/2015	Beliveau	A61G 17/0076	16/424
D727,588	S *	4/2015	Kemper, Sr.	D99/1	
D740,018	S *	10/2015	Zhang	D3/201	
D833,144	S *	11/2018	Eddershaw	D3/265	
D872,412	S *	1/2020	Mullins	D99/1	
2014/0096454	A1 *	4/2014	Meiser	A61G 17/00	49/506

* cited by examiner

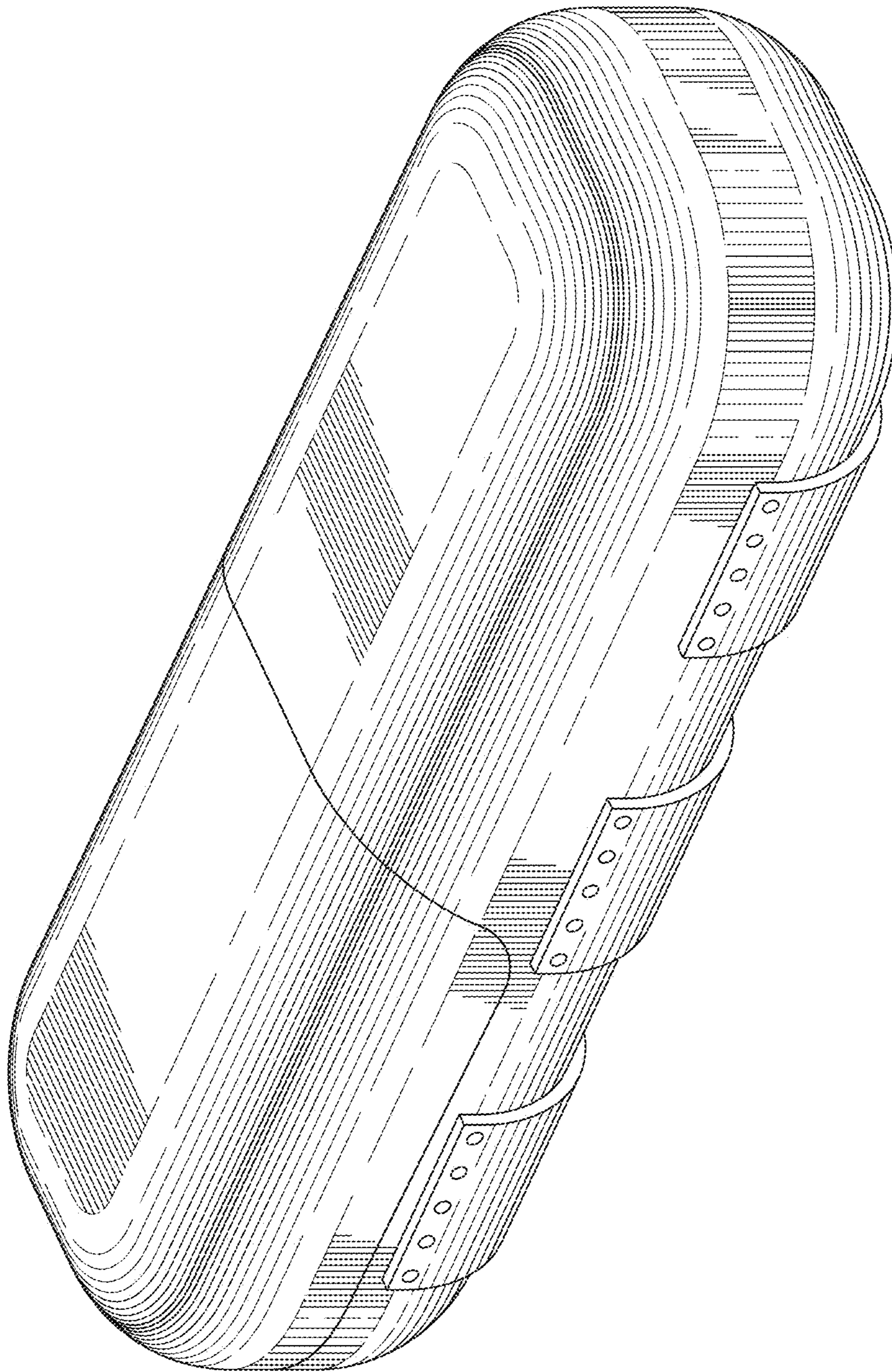


FIG. 1

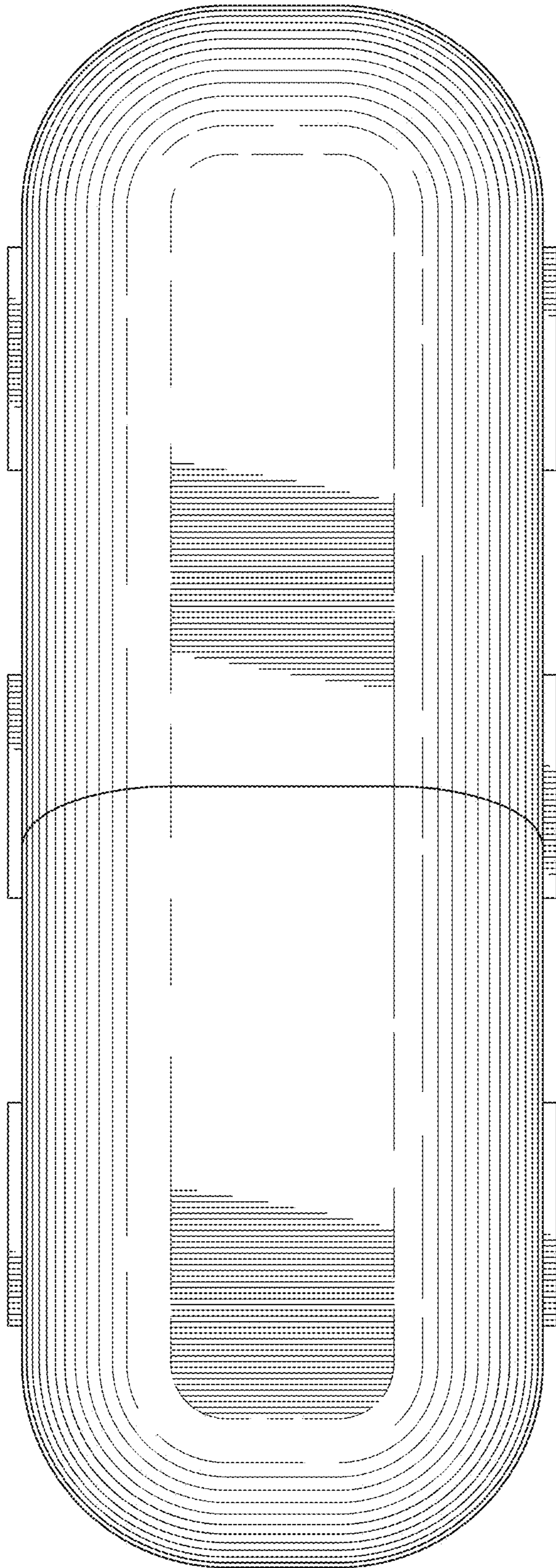


FIG. 2

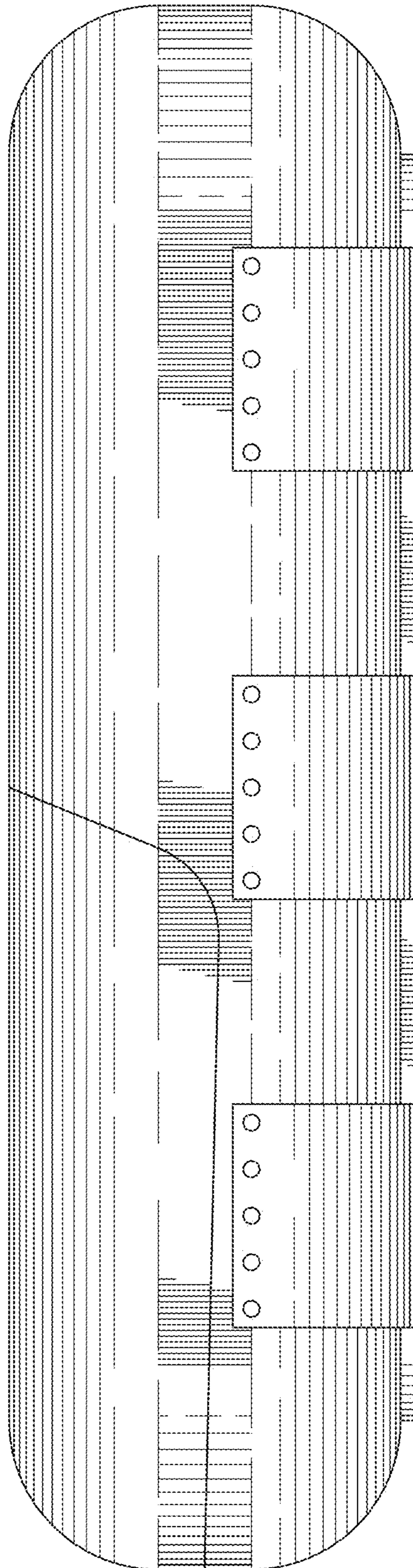


FIG. 3

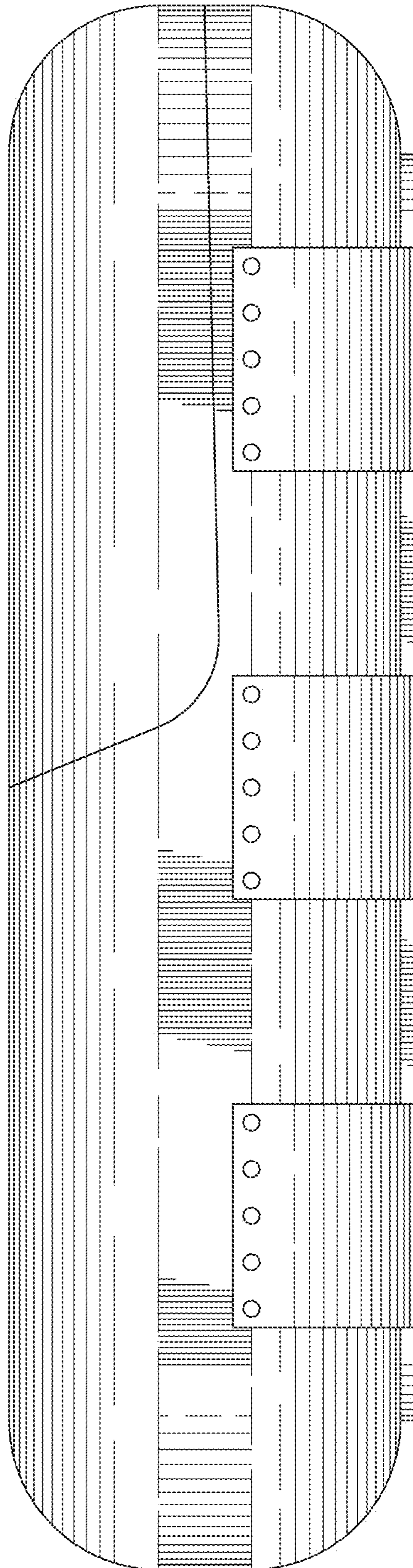


FIG. 4

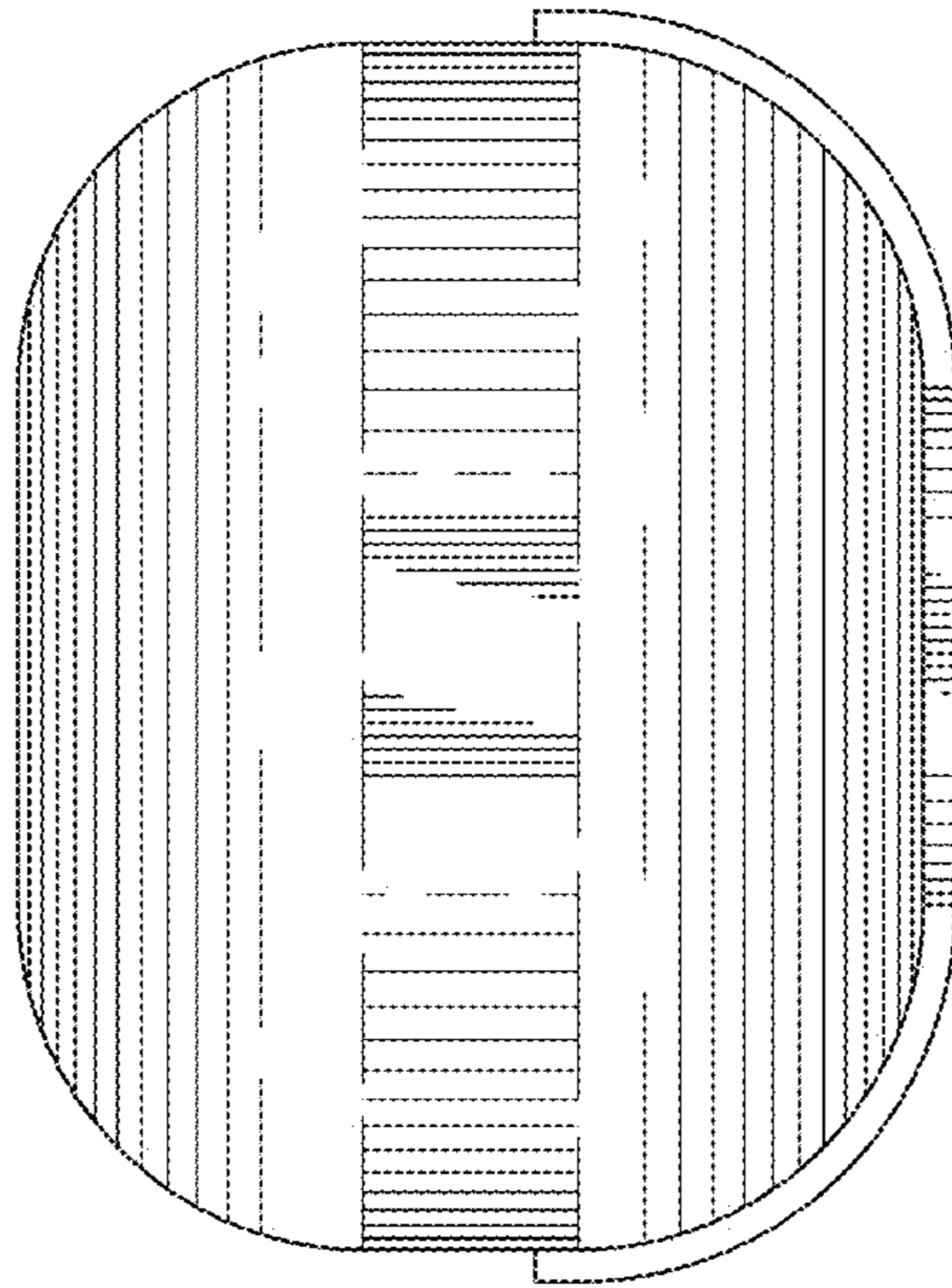


FIG. 5

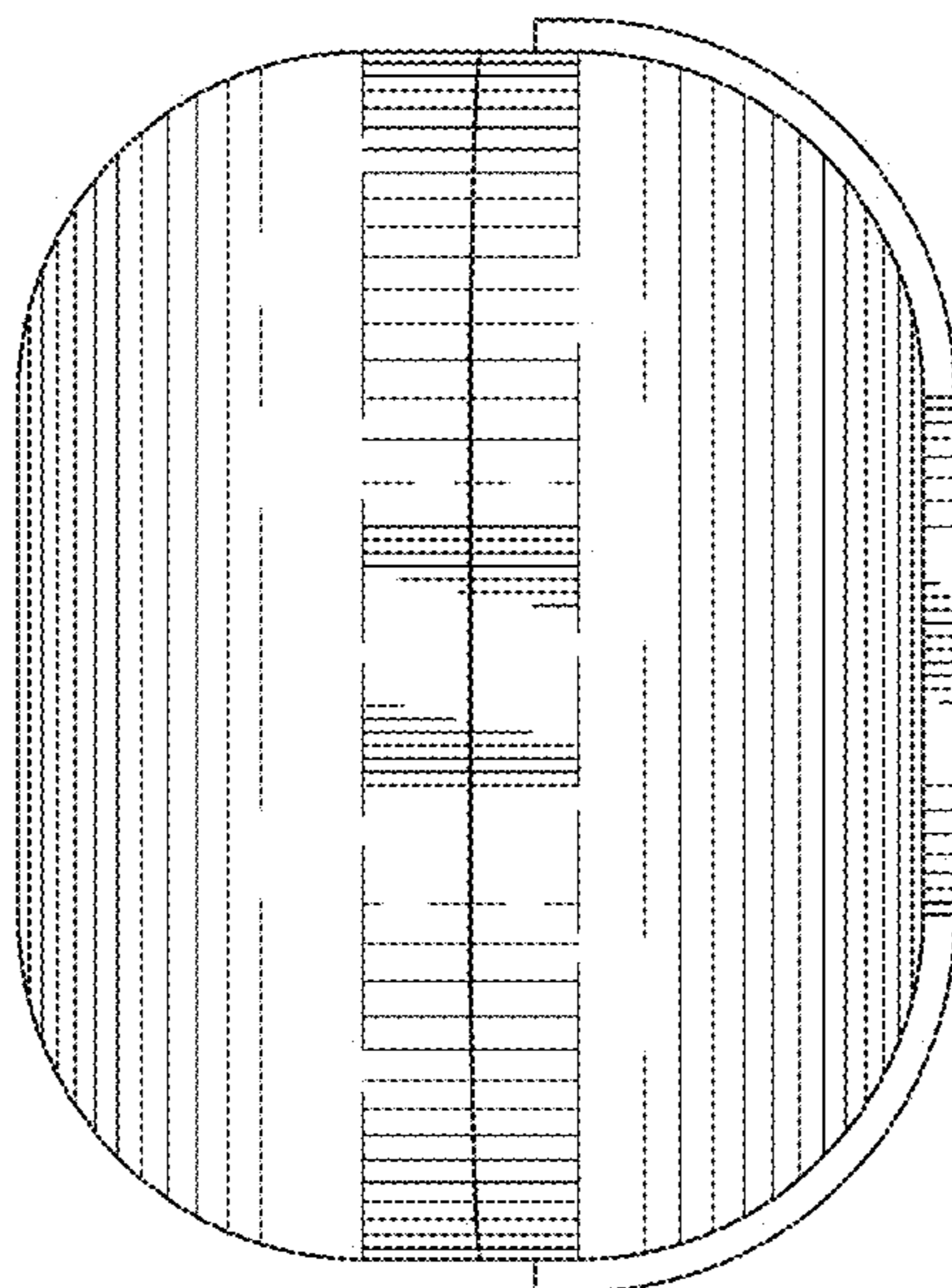


FIG. 6

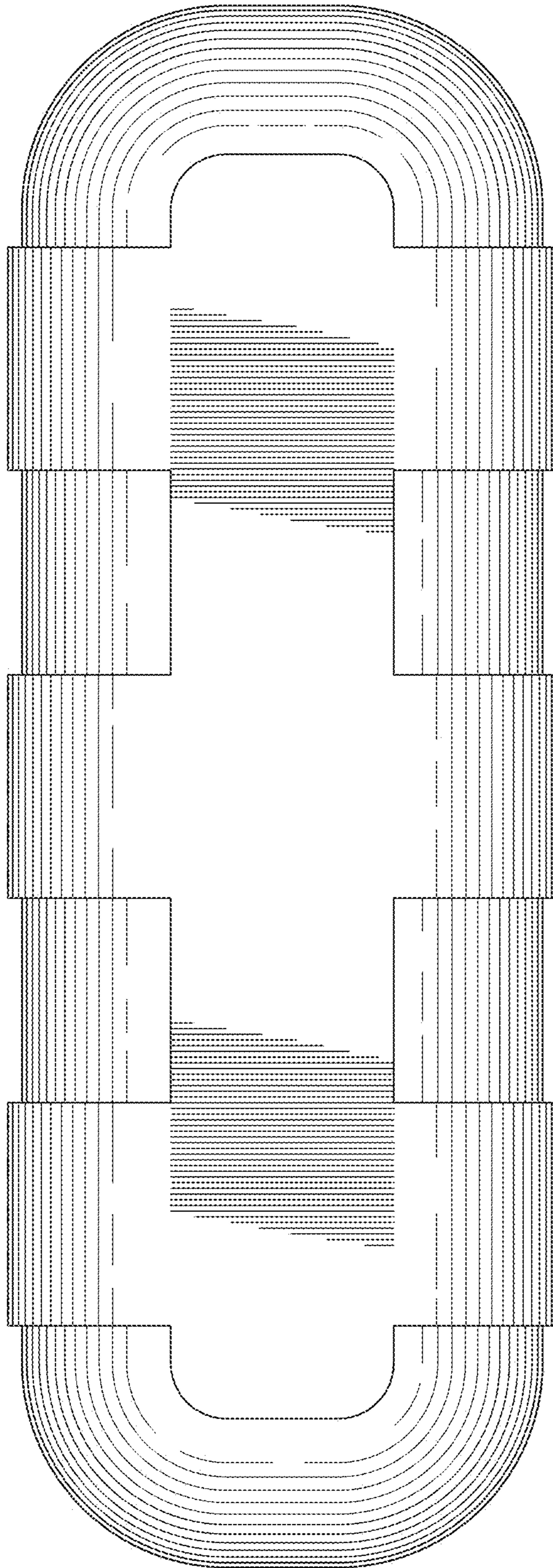


FIG. 7

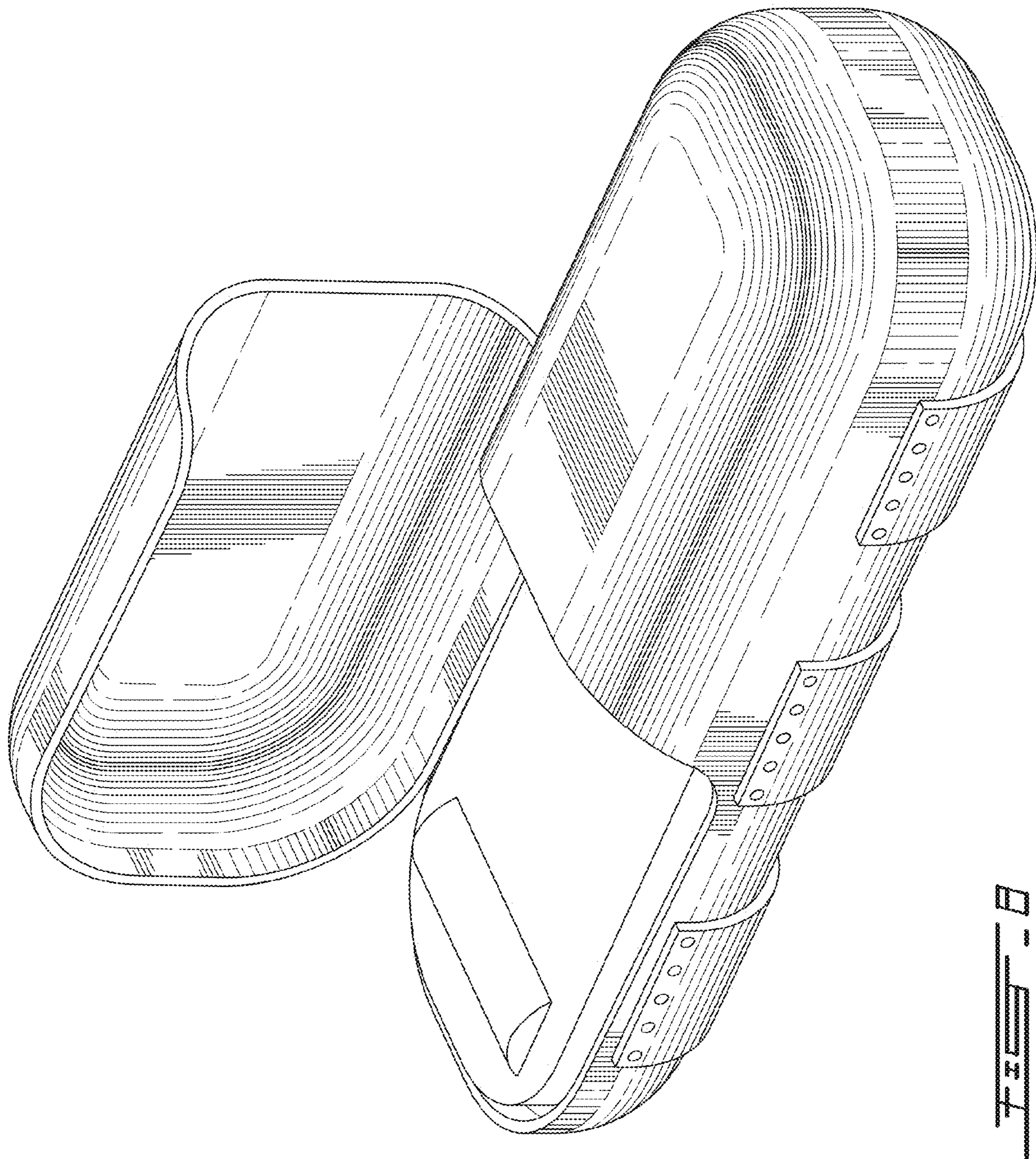


FIG. 7

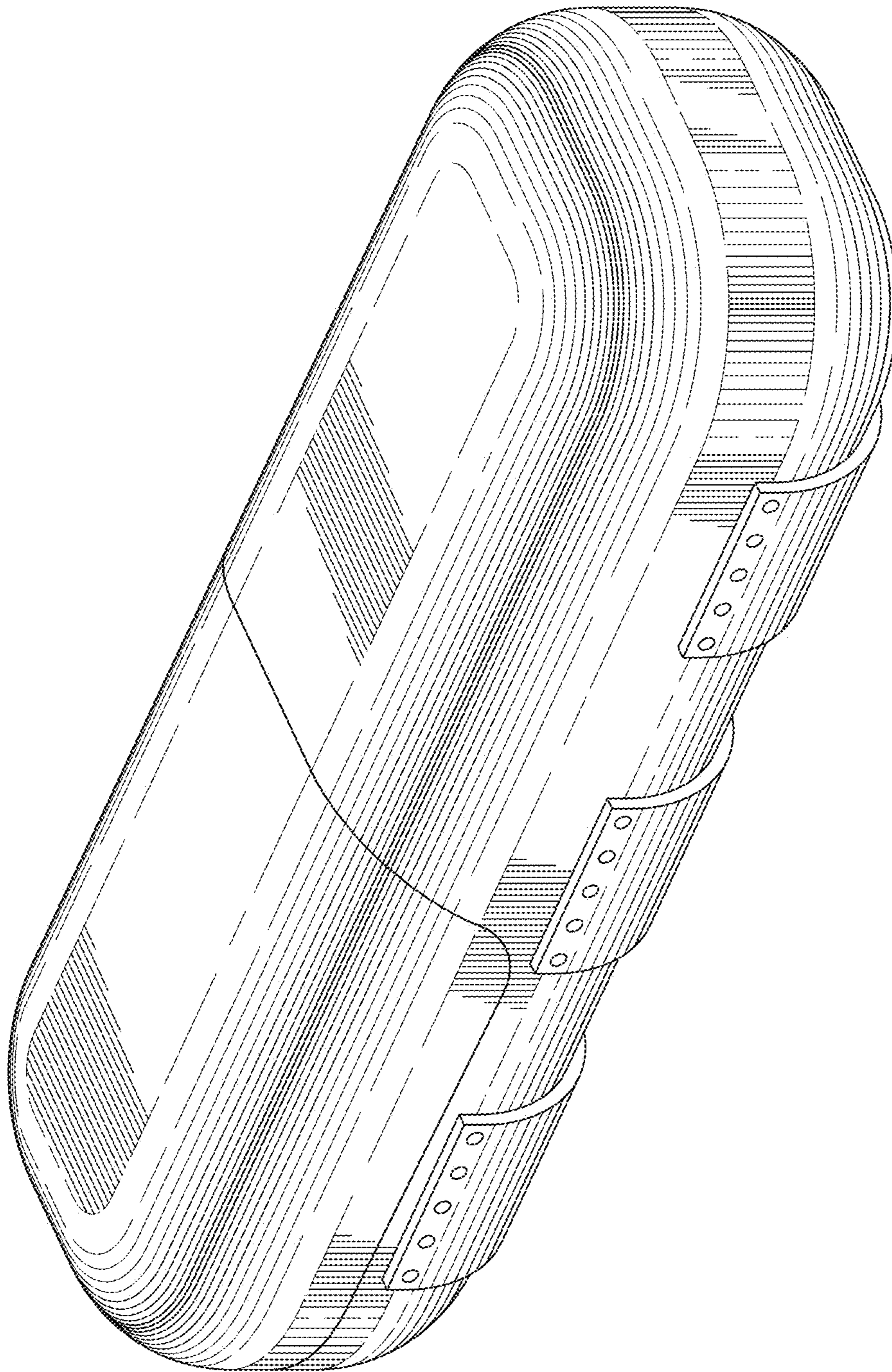


FIG. 8

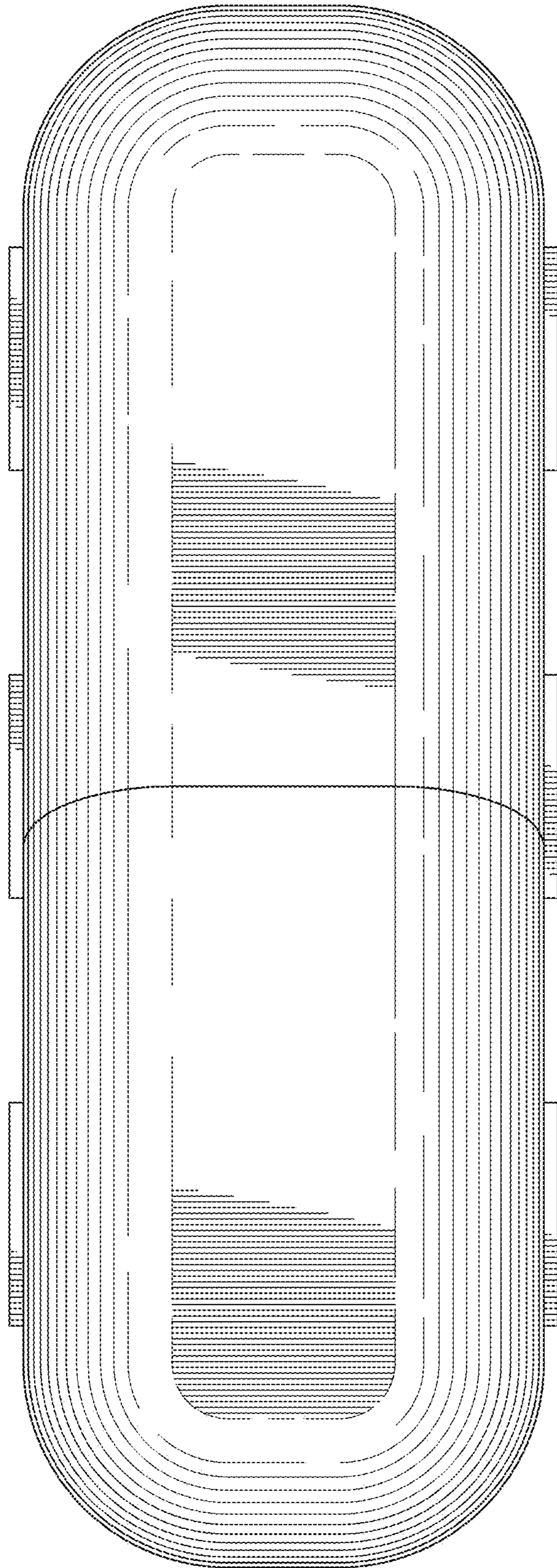


FIG. 10

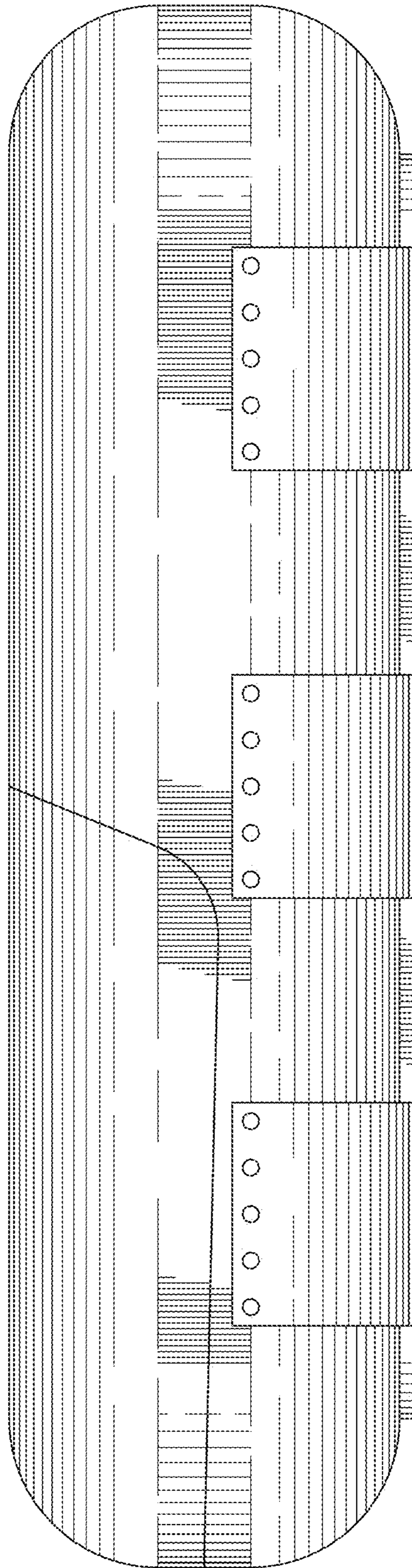


FIG. 11

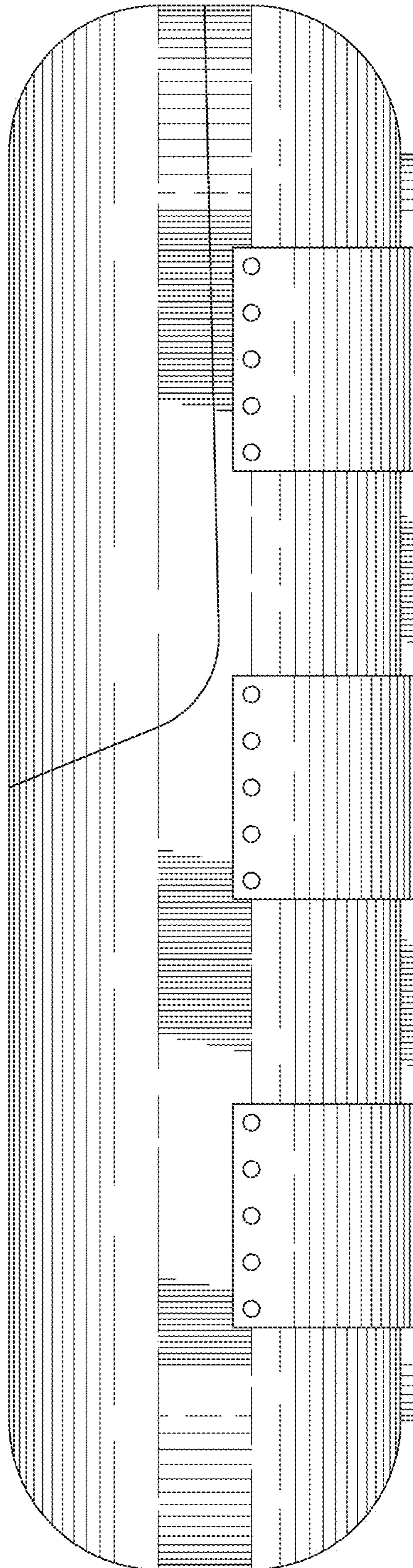


FIG. 11

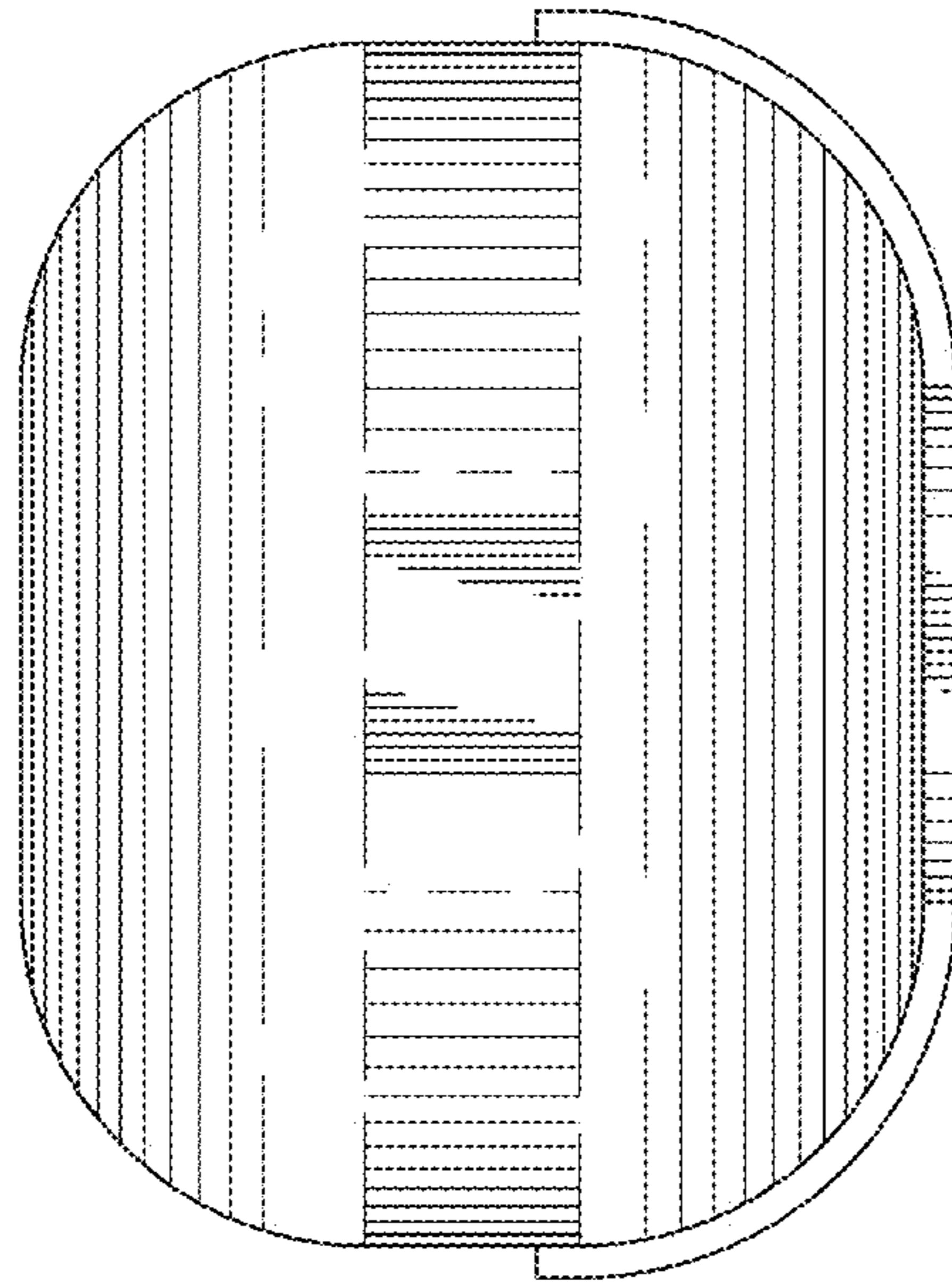


FIG. 14

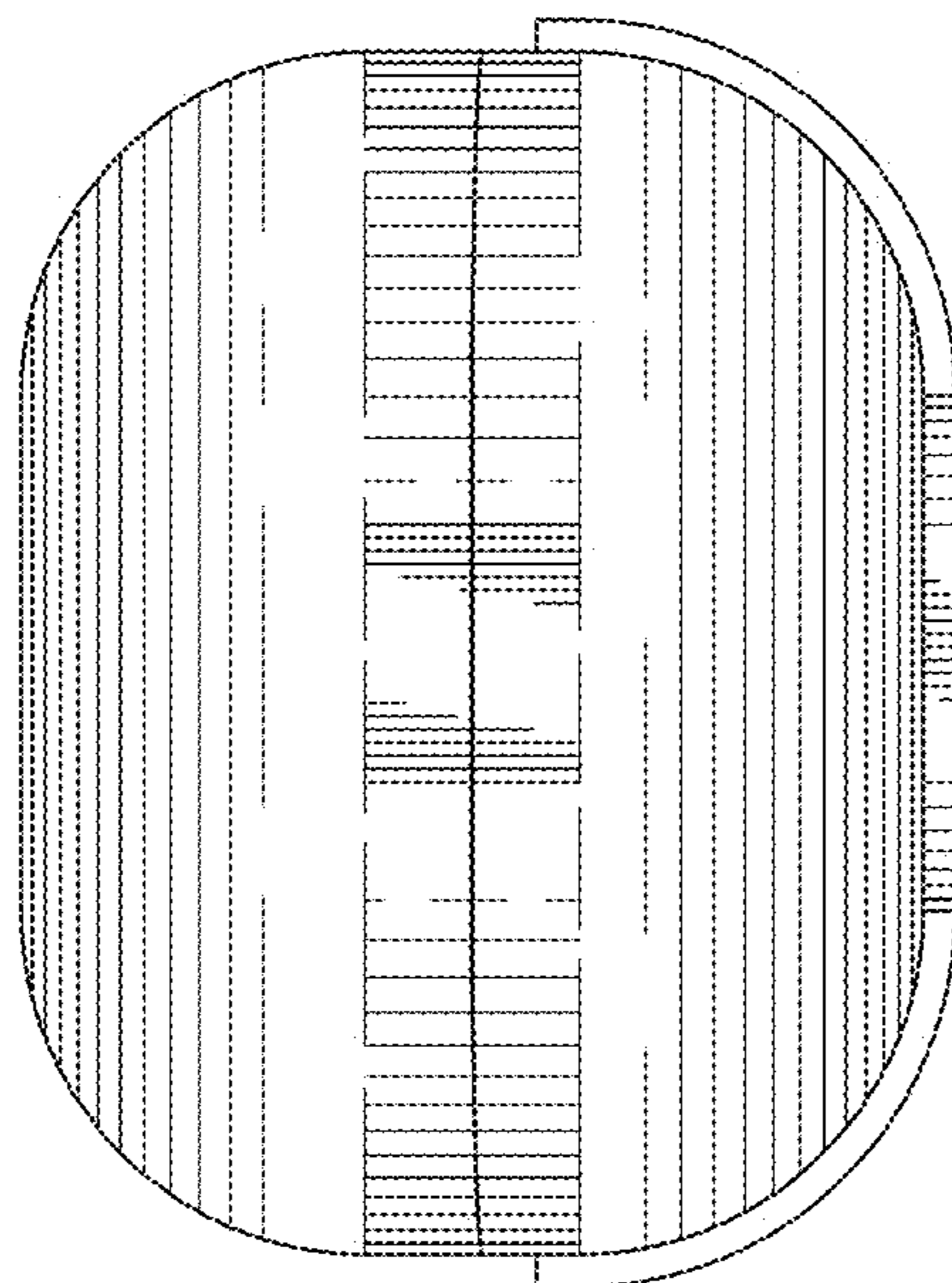


FIG. 13

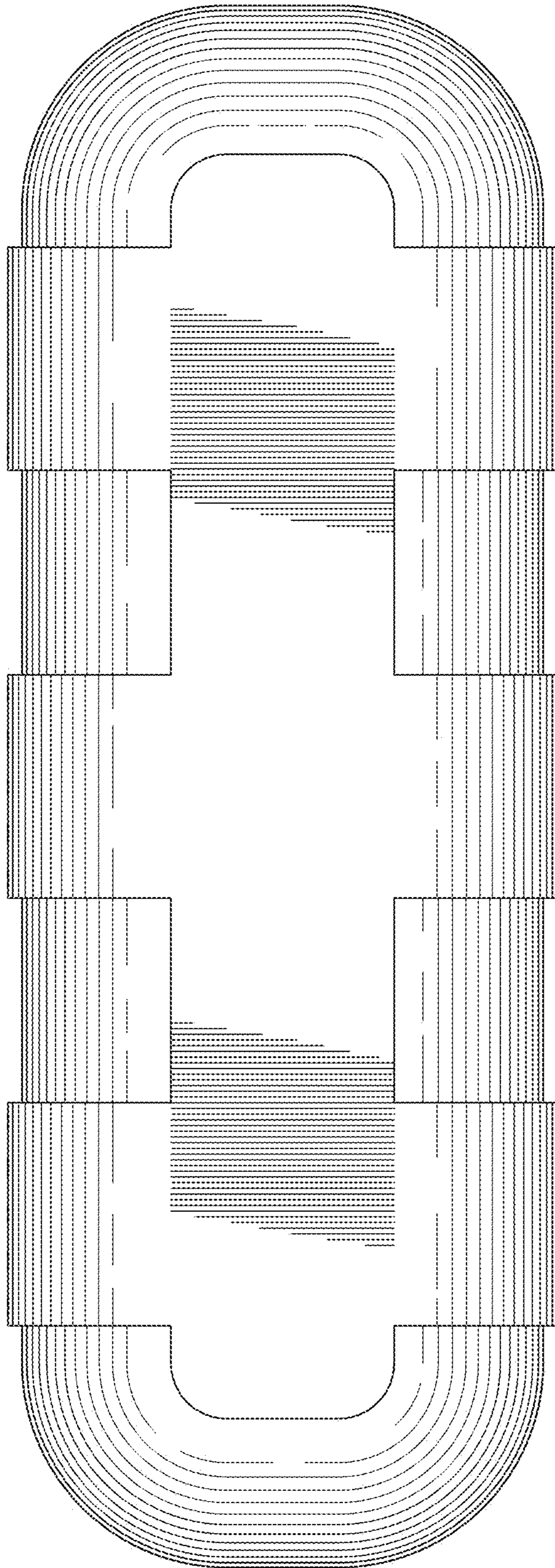


FIG. 15

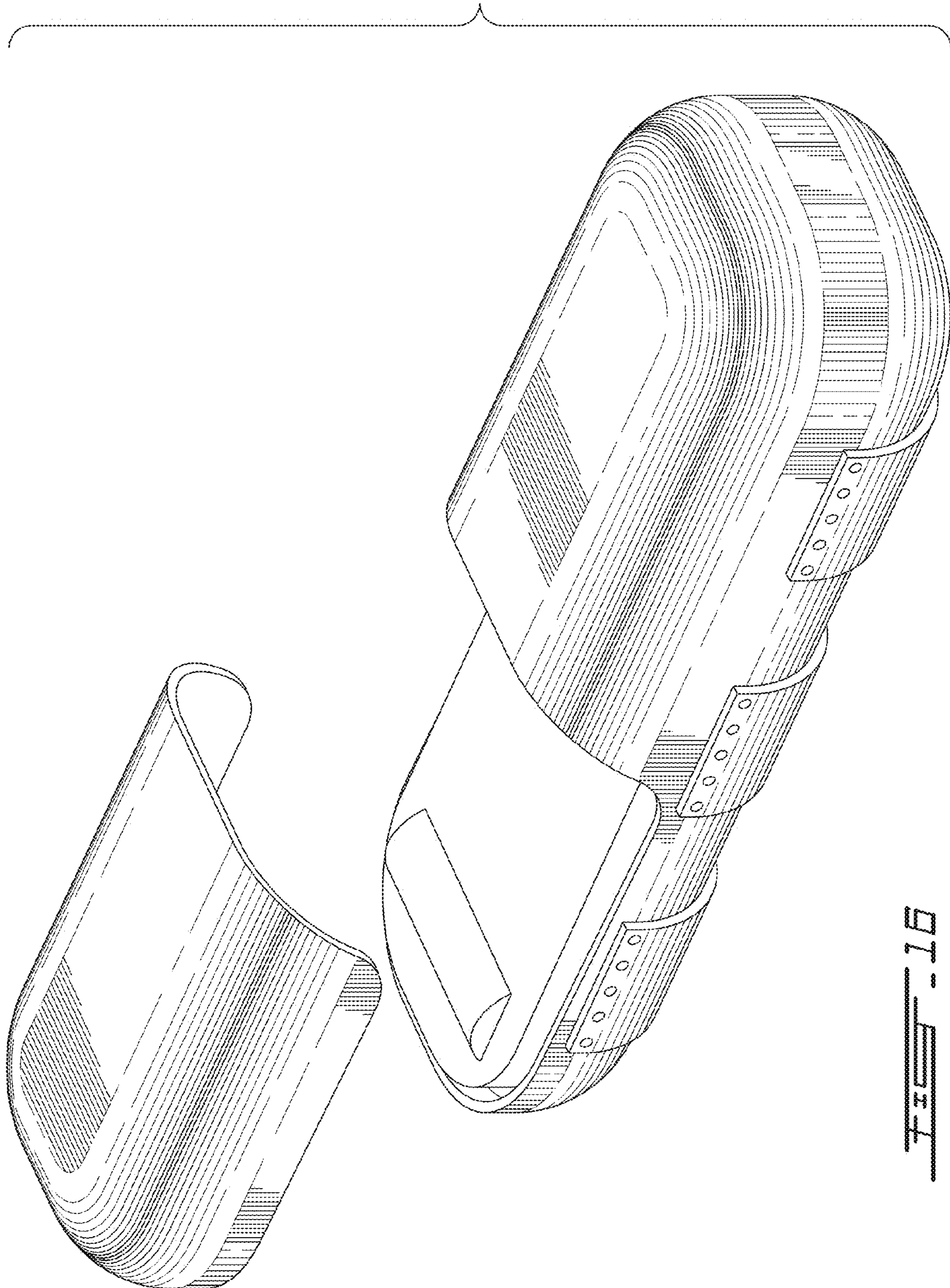


FIG. 1B