



US00D899022S

(12) **United States Design Patent**
Olmstead et al.

(10) **Patent No.:** **US D899,022 S**

(45) **Date of Patent:** **** Oct. 13, 2020**

- (54) **CONVEYOR FRAME**
- (71) Applicant: **Precision, Inc.**, Pella, IA (US)
- (72) Inventors: **Rocky Olmstead**, Whittemore, IA (US);
William Robert Casey, III, San Antonio, TX (US)
- (73) Assignee: **Precision, Inc.**, Pella, IA (US)
- (**) Term: **15 Years**
- (21) Appl. No.: **29/666,468**
- (22) Filed: **Oct. 12, 2018**
- (51) **LOC (12) Cl.** **12-05**
- (52) **U.S. Cl.**
USPC **D34/29**
- (58) **Field of Classification Search**
USPC D34/29, 35
CPC B65G 15/64; B65G 17/40; B65G 21/00;
B65G 21/06; B65G 2203/042
See application file for complete search history.

- 2009/0250322 A1* 10/2009 Jager B65G 21/2063
198/835
- 2010/0213032 A1* 8/2010 Bugge B65G 47/945
198/583
- 2017/0001804 A1* 1/2017 Bettati B65G 17/40
- 2017/0088031 A1* 3/2017 Baker E05D 11/082
- 2020/0039752 A1* 2/2020 Massey, Jr. B65G 21/20
- 2020/0115165 A1* 4/2020 Olmstead B65G 27/12

* cited by examiner

Primary Examiner — Cynthia Ramirez

(74) *Attorney, Agent, or Firm* — Armstrong Teasdale LLP

(57) **CLAIM**

We claim the ornamental design for a conveyor frame, as shown and described.

DESCRIPTION

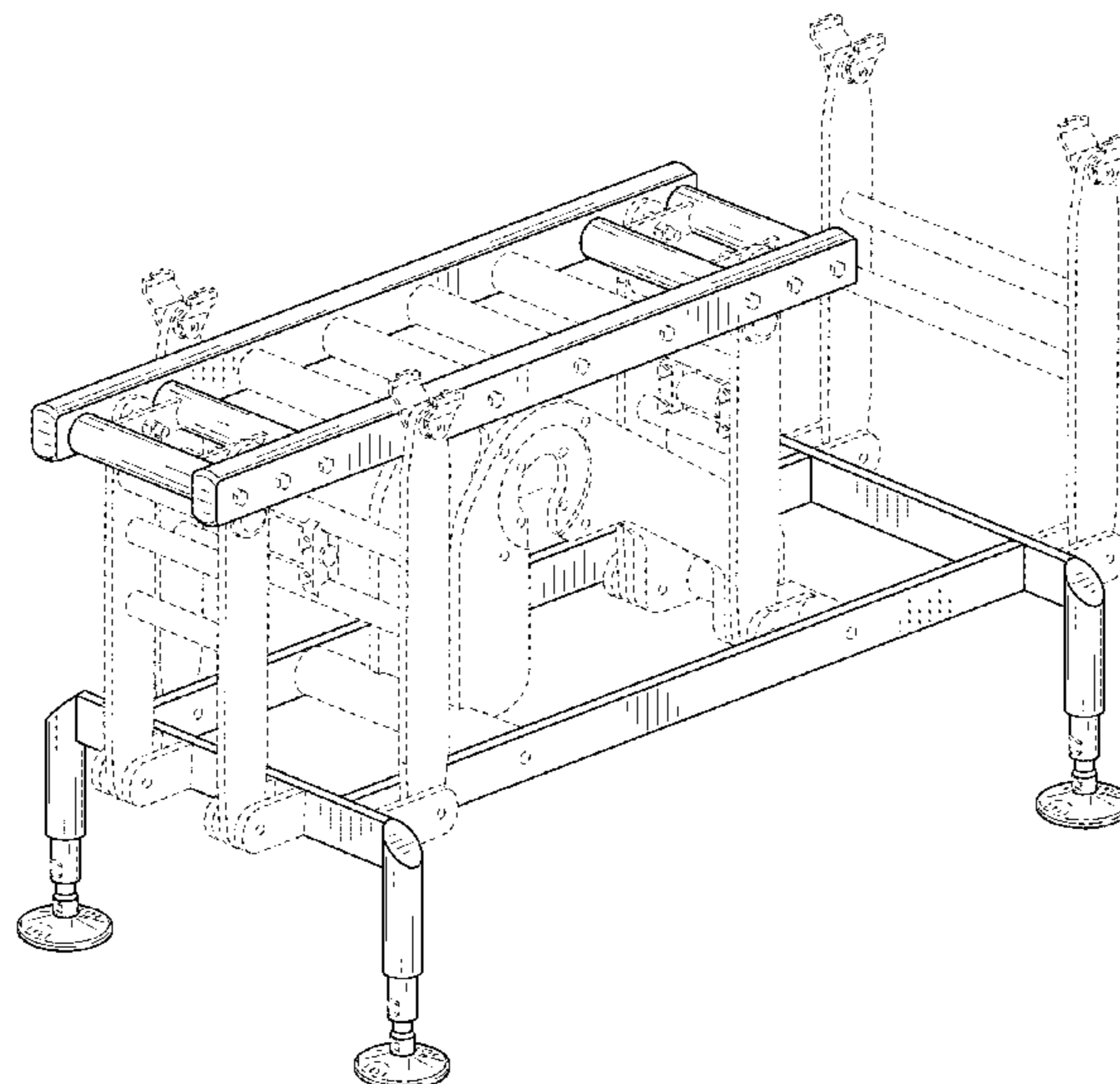
FIG. 1 is a top perspective view of a conveyor frame showing the new design.
 FIG. 2 is another top perspective view of the conveyor frame of FIG. 1.
 FIG. 3 is another top perspective view of the conveyor frame of FIG. 1.
 FIG. 4 is another top perspective view of the conveyor frame of FIG. 1.
 FIG. 5 is a bottom perspective view of the conveyor frame of FIG. 1.
 FIG. 6 is another bottom perspective view of the conveyor frame of FIG. 1.
 FIG. 7 is right side view of the conveyor frame of FIG. 1.
 FIG. 8 is a left side view of the conveyor frame of FIG. 1.
 FIG. 9 is a front view of the conveyor frame of FIG. 1.
 FIG. 10 is a rear view of the conveyor frame of FIG. 1.
 FIG. 11 is a top view of the conveyor frame of FIG. 1; and, FIG. 12 is a bottom view of the conveyor frame of FIG. 1. The broken lines show portions of the conveyor frame, which form no part of the claimed design.

(56) **References Cited**

U.S. PATENT DOCUMENTS

5,351,807	A	10/1994	Svejkovksy	
5,794,757	A	8/1998	Svejkovksy et al.	
6,189,683	B1	2/2001	Svejkovksy et al.	
6,415,911	B1	7/2002	Svejkovksy et al.	
8,066,114	B2	11/2011	Svejkovksy et al.	
9,027,744	B1*	5/2015	Balcar	B65G 21/2081 198/836.1
D866,908	S*	11/2019	Friesen	D34/29
2004/0251115	A1*	12/2004	Spoeler	B65G 21/00 198/860.1
2005/0081480	A1*	4/2005	Gerke	B65G 21/00 52/749.1
2008/0041494	A1*	2/2008	Paavola	B27B 25/04 144/242.1
2009/0000923	A1*	1/2009	Jager	B65G 21/06 198/860.1

1 Claim, 11 Drawing Sheets



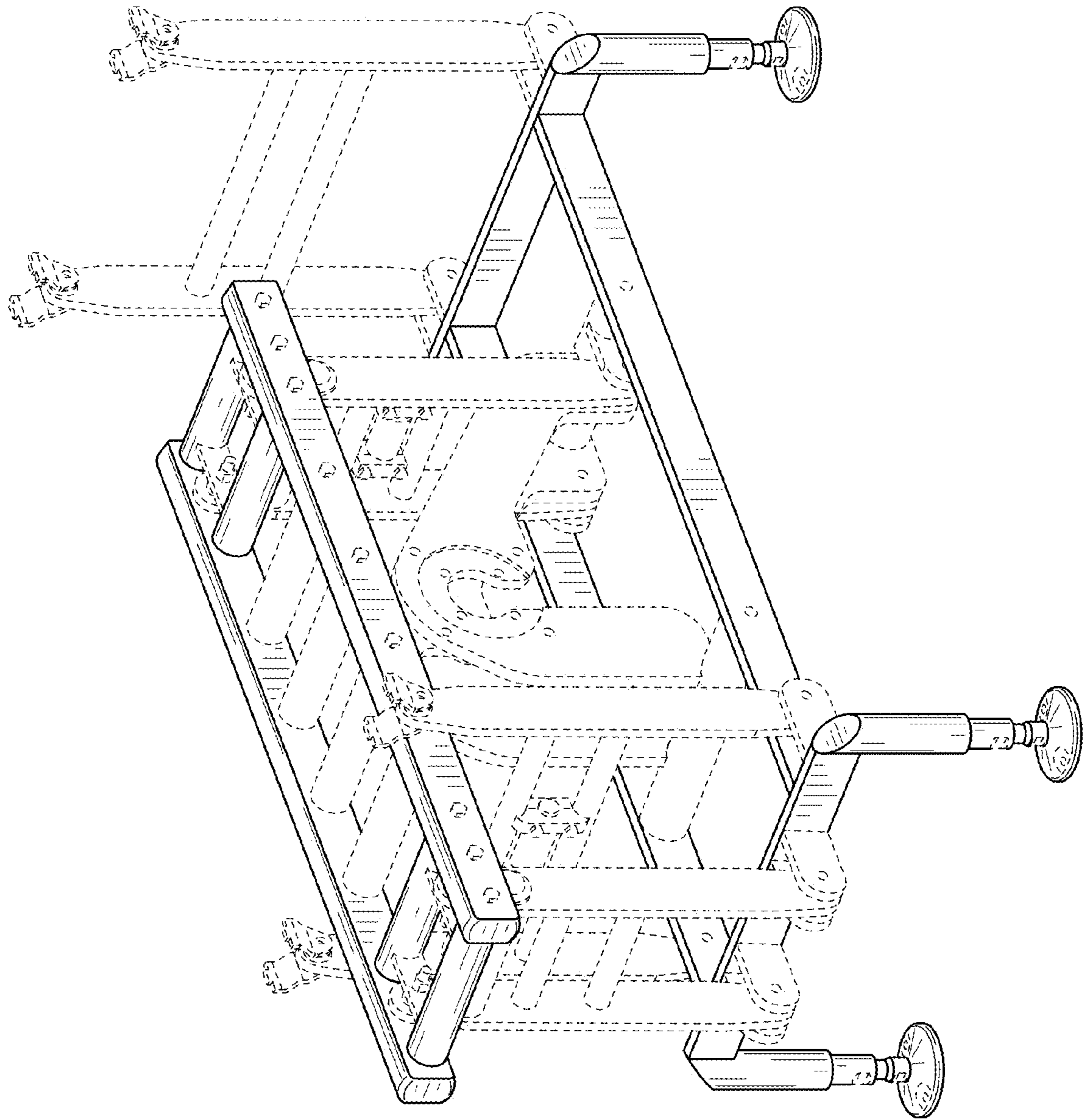


FIG. 1

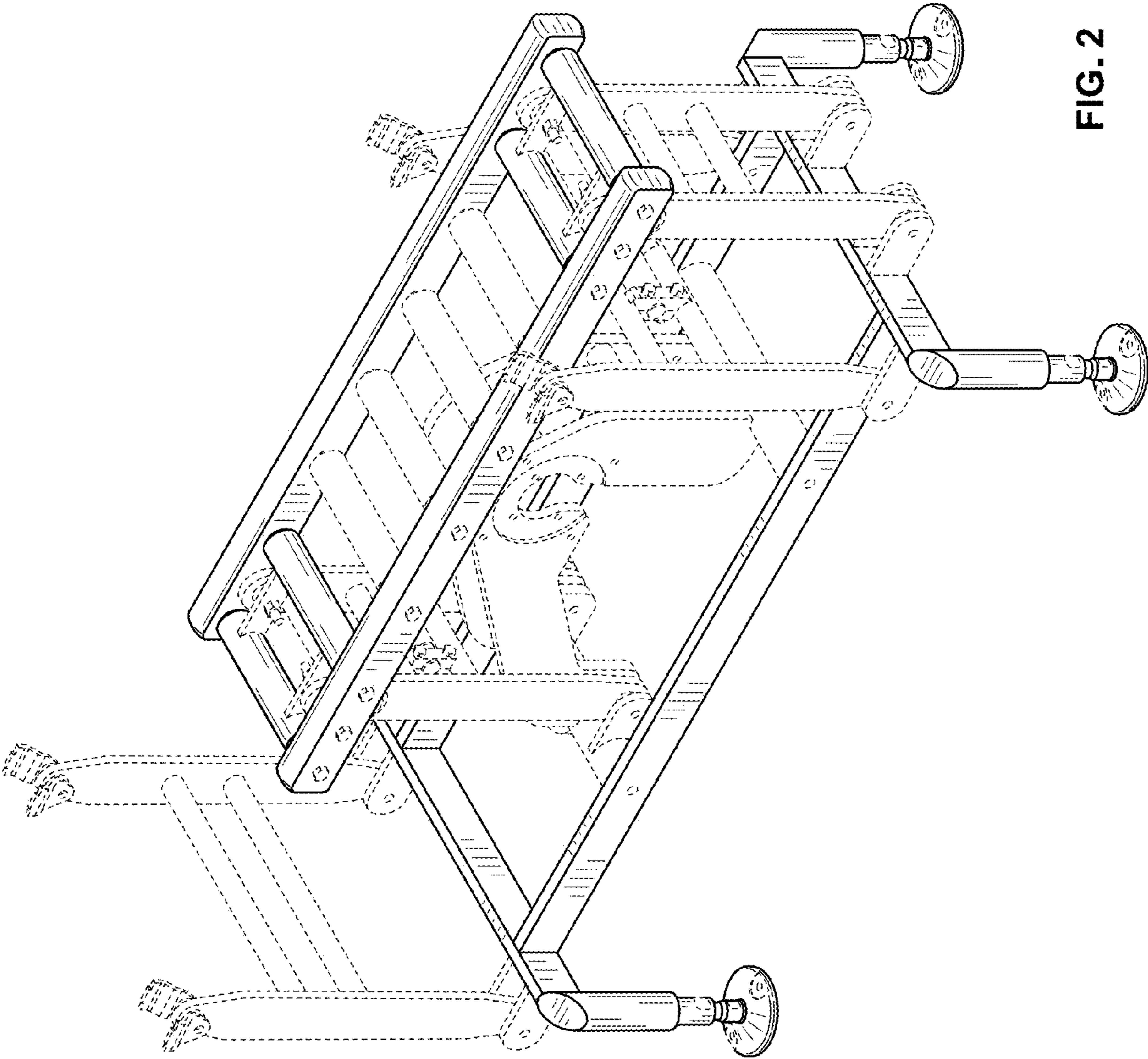


FIG. 2

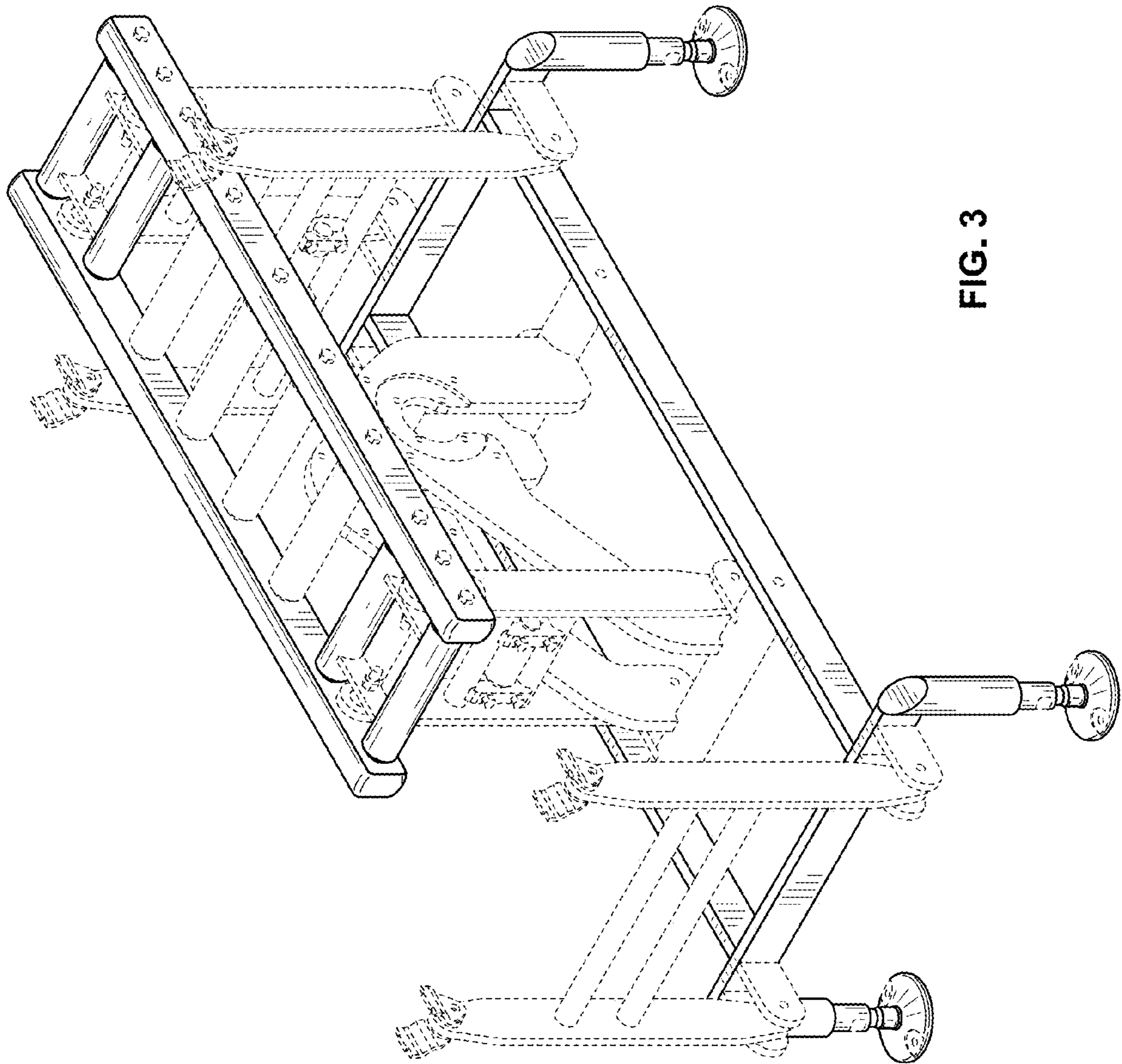


FIG. 3

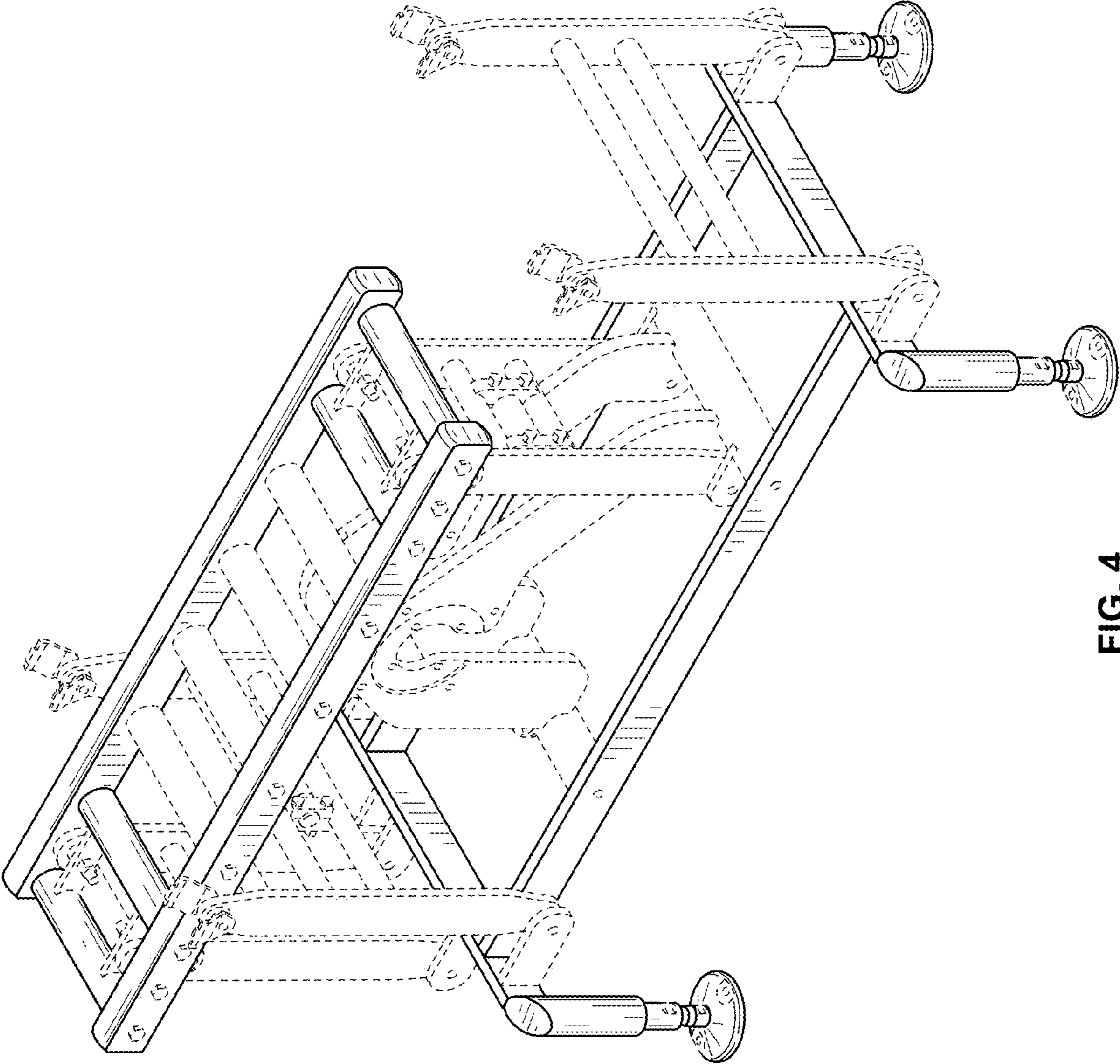


FIG. 4

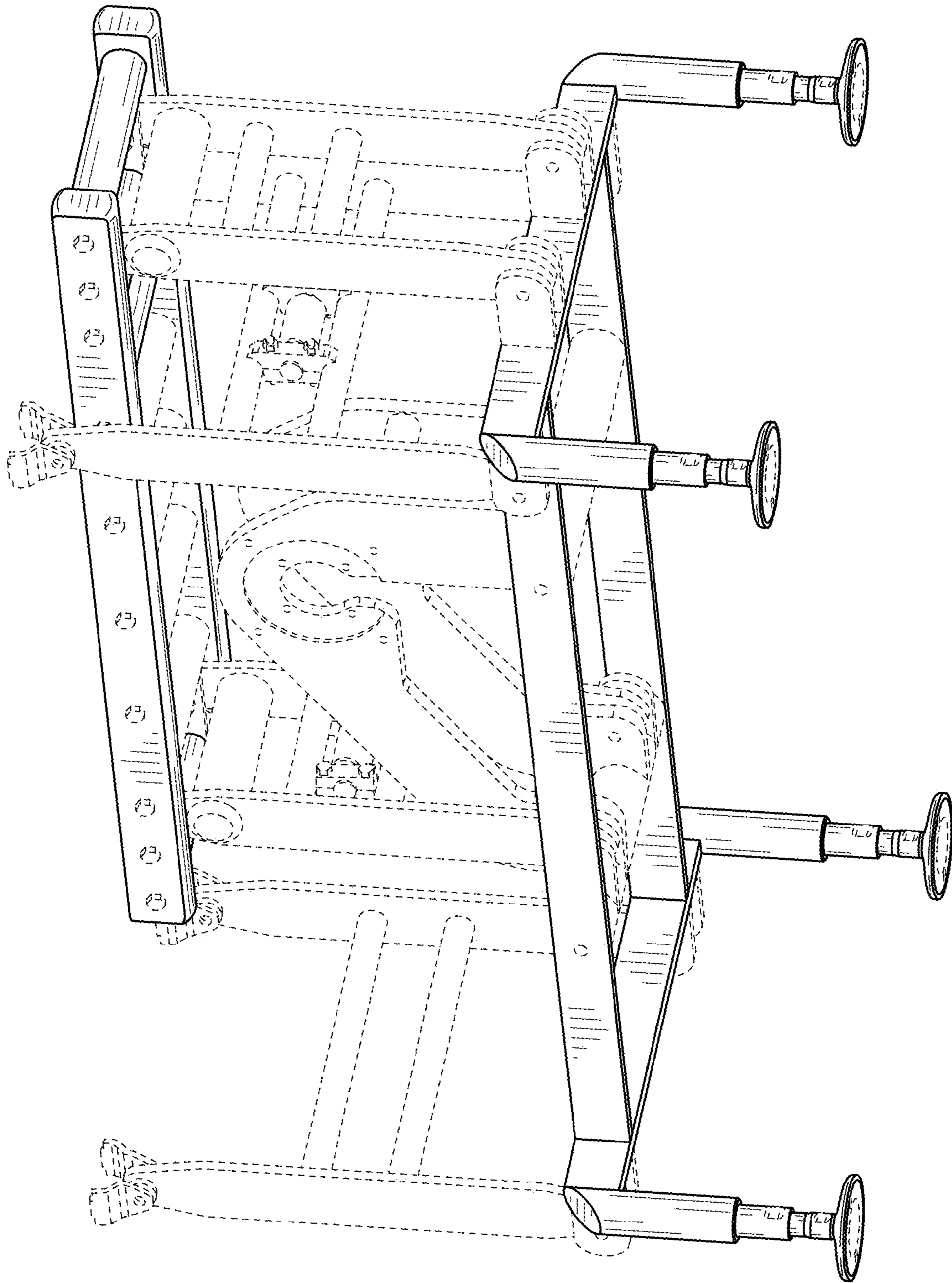


FIG. 5

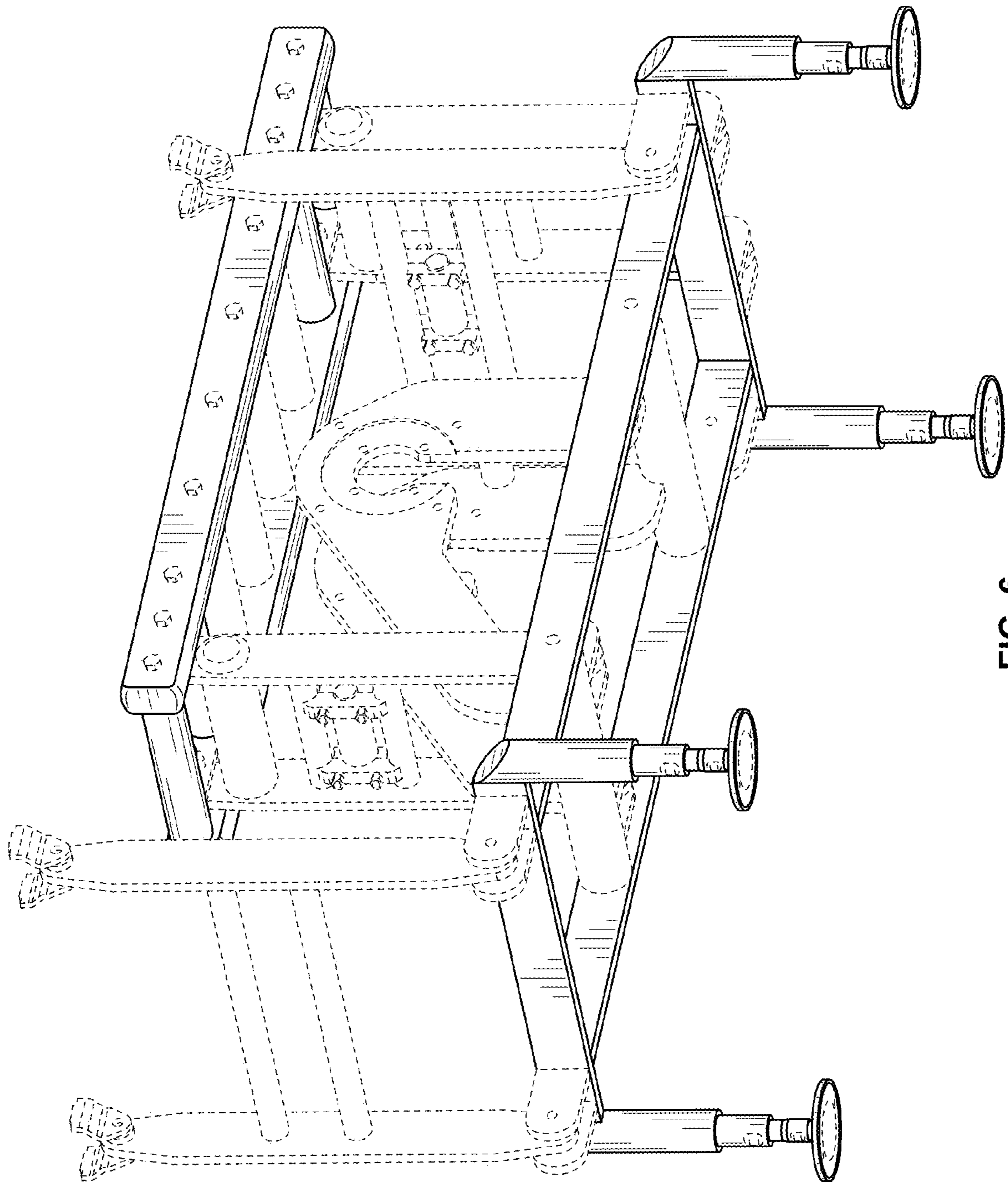


FIG. 6

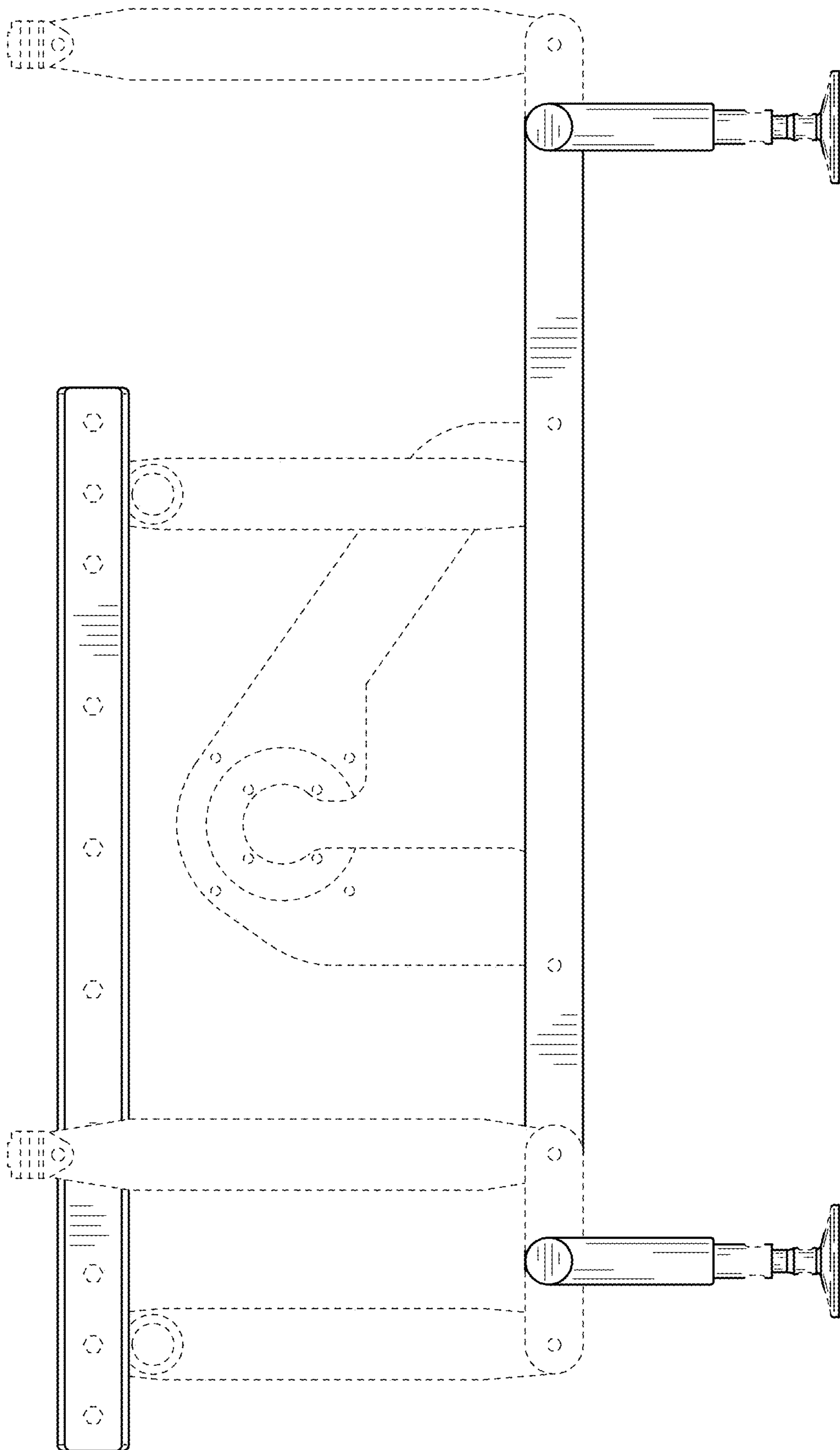


FIG. 7

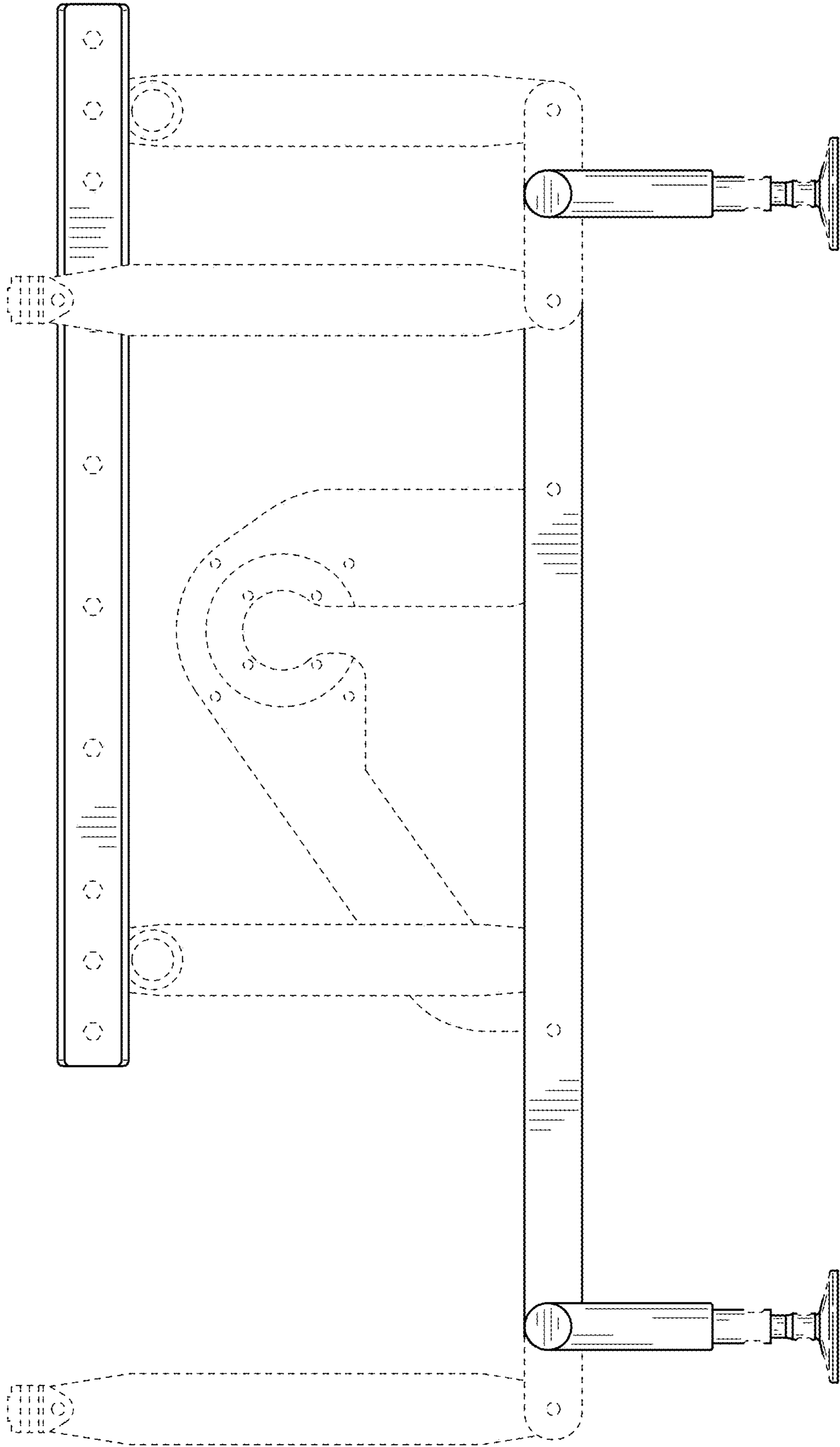


FIG. 8

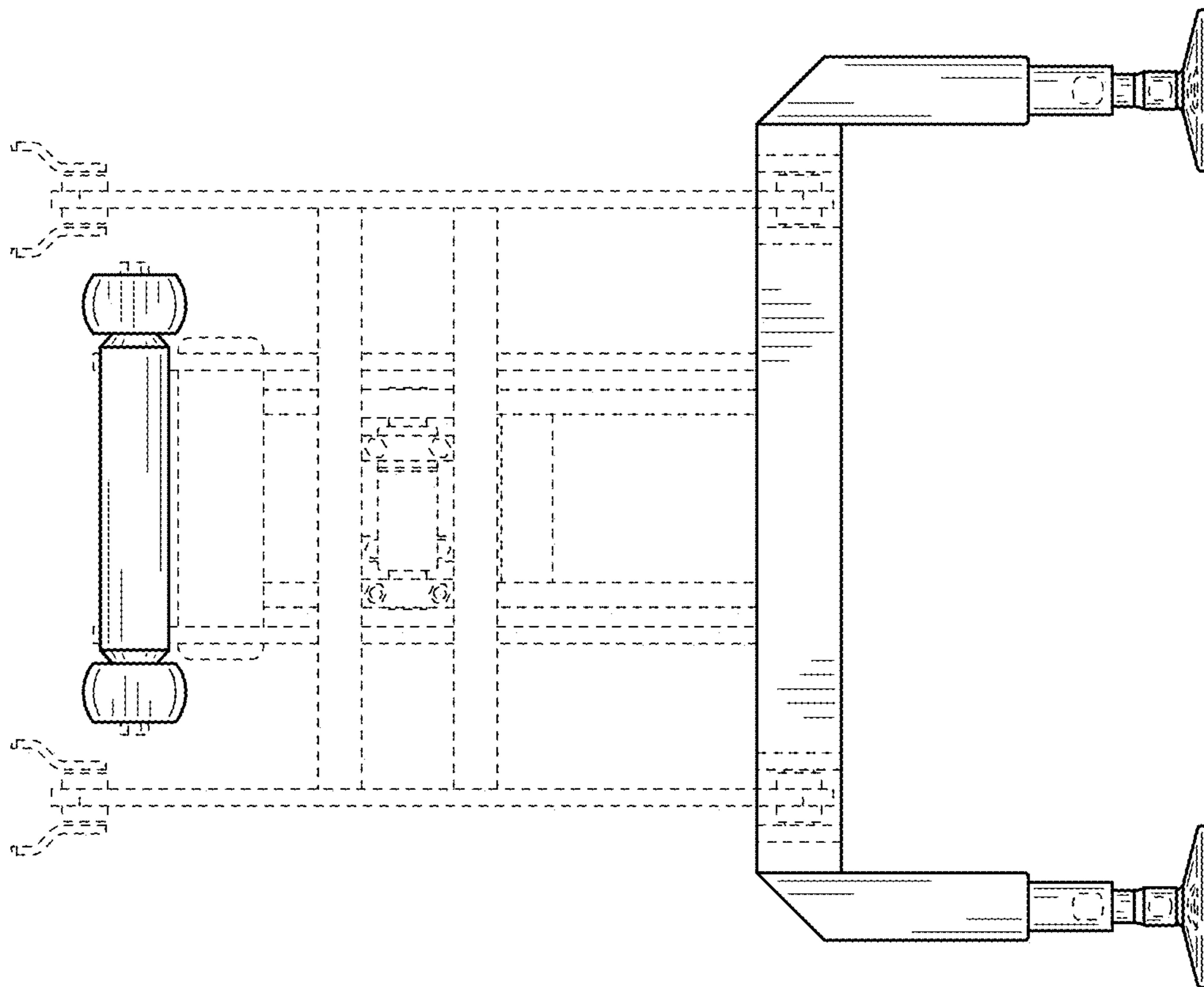


FIG. 9

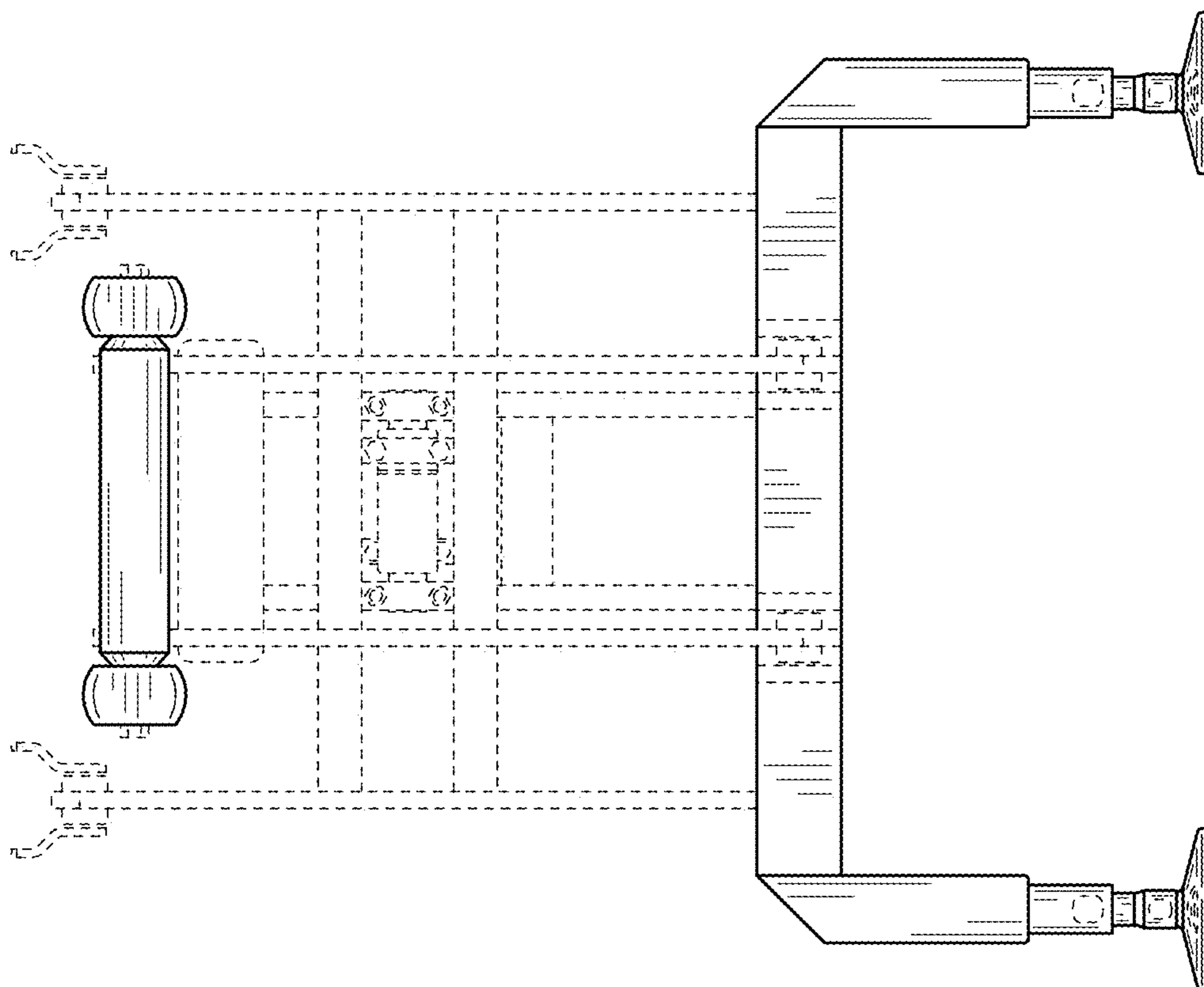


FIG. 10

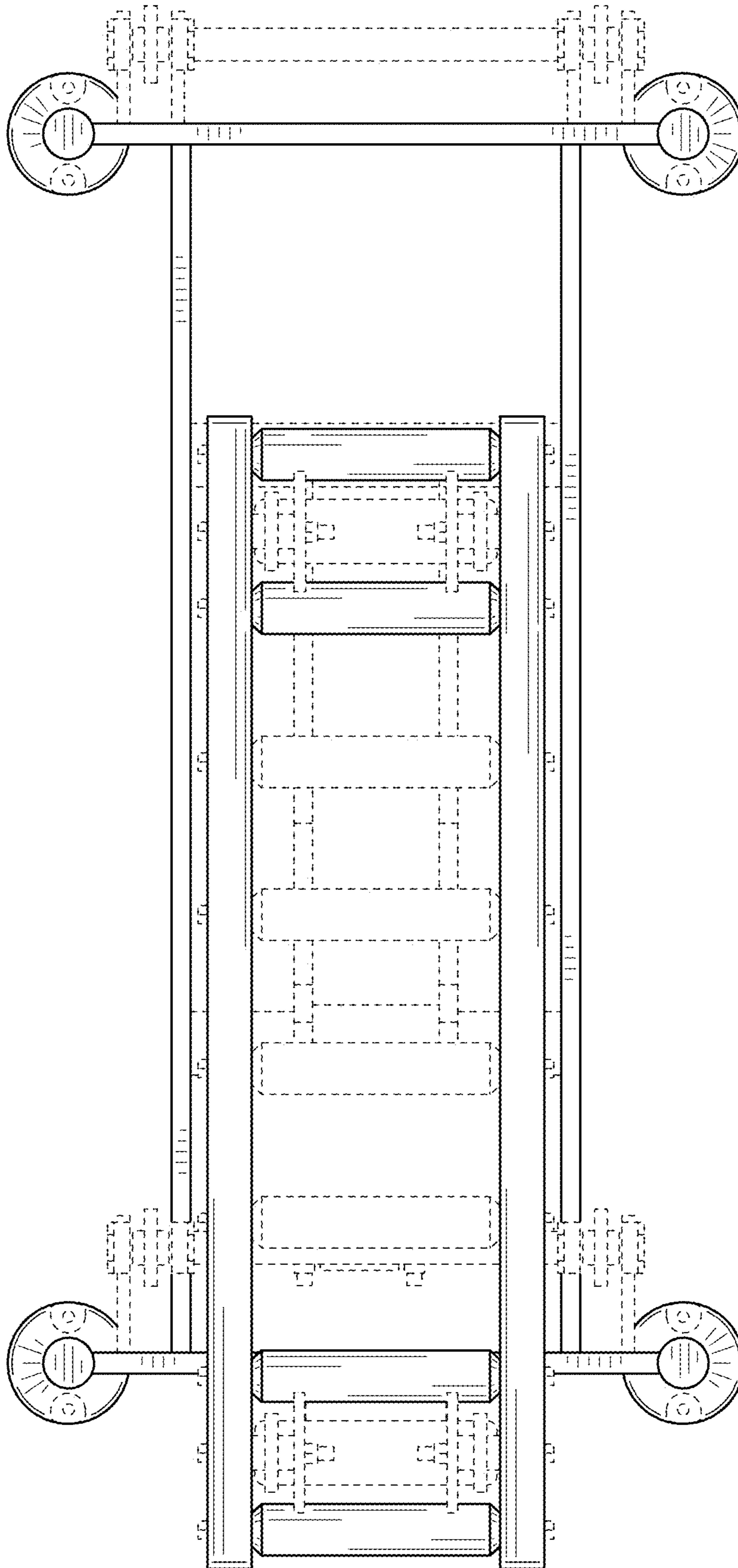


FIG. 11

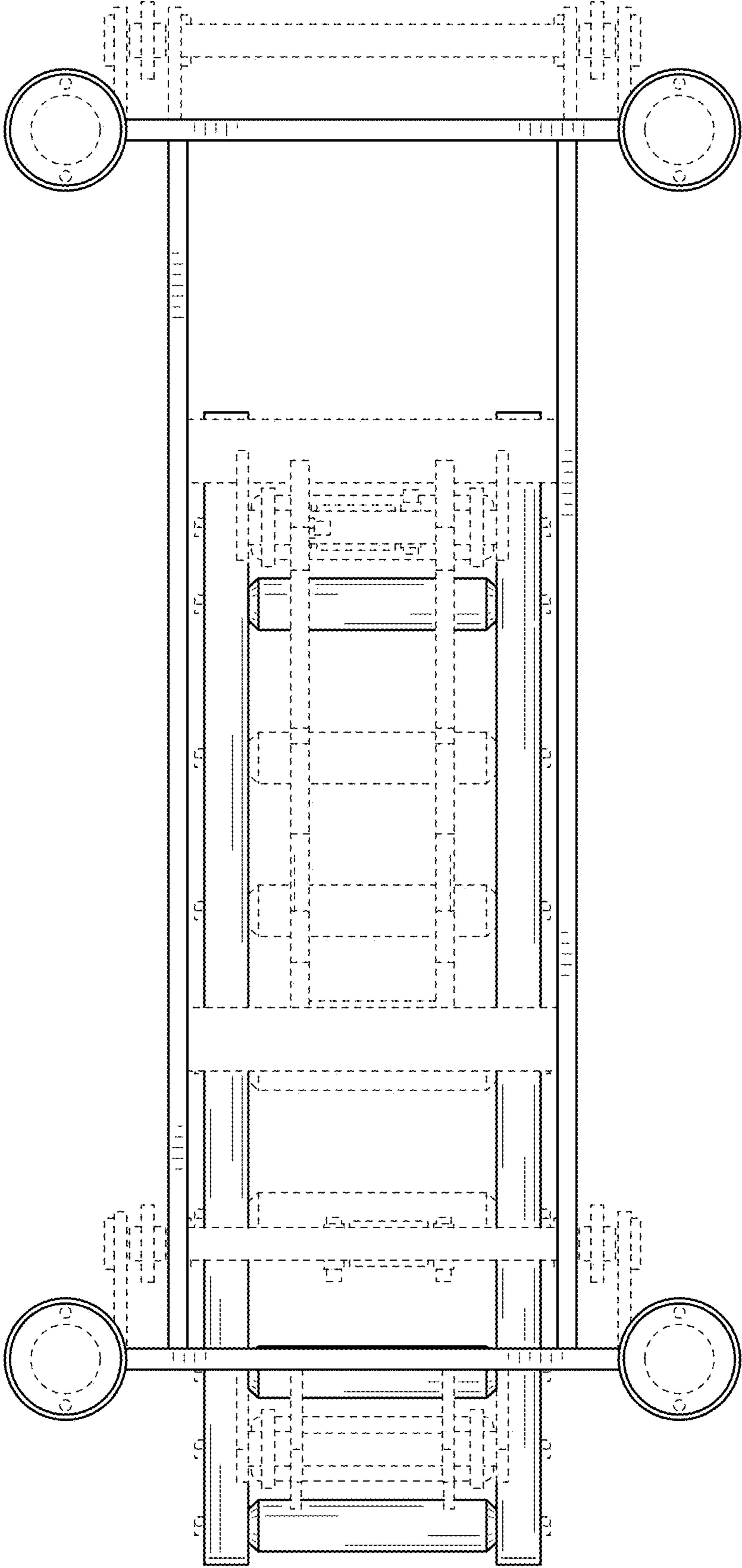


FIG. 12