



US00D899021S

(12) **United States Design Patent**  
**Wellington et al.**

(10) **Patent No.:** **US D899,021 S**

(45) **Date of Patent:** **\*\* Oct. 13, 2020**

(54) **FORKLIFTABLE TILT TRUCK FRAME**

(71) Applicant: **GLOBAL INDUSTRIAL DISTRIBUTION INC.**, Port Washington, NY (US)

(72) Inventors: **Harry Wellington**, Port Washington, NY (US); **Bruce Zutler**, Port Washington, NY (US)

(73) Assignee: **GLOBAL INDUSTRIAL DISTRIBUTION INC.**, Port Washington, NY (US)

(\*\*) Term: **15 Years**

(21) Appl. No.: **29/614,981**

(22) Filed: **Aug. 24, 2017**

(51) **LOC (12) Cl.** ..... **12-02**

(52) **U.S. Cl.**  
USPC ..... **D34/24**

(58) **Field of Classification Search**  
USPC ..... D34/12-18, 20-24, 26, 27; 280/47.35, 280/651, 79.3, 47.26, 47.34, 33.997, 280/47.19  
CPC ..... B60B 29/002; B60B 30/10; B25H 5/00; B62B 3/02  
See application file for complete search history.

(56) **References Cited**

**U.S. PATENT DOCUMENTS**

D182,298 S \* 3/1958 McGrath ..... 280/47  
2,855,210 A \* 10/1958 Joyce ..... B62B 1/18  
248/907

D337,410 S \* 7/1993 Jones ..... D12/14  
D422,392 S \* 4/2000 Weinstein ..... D34/12  
D447,847 S \* 9/2001 Shyshka ..... D34/17  
D455,884 S \* 4/2002 Ogrodnick ..... D34/28  
D481,511 S \* 10/2003 Lee ..... D34/24  
6,857,836 B2 \* 2/2005 Keller ..... B62B 3/022  
269/905  
D604,473 S \* 11/2009 Gibson ..... D34/16  
D649,317 S \* 11/2011 Nolin ..... D34/12  
9,428,156 B2 \* 8/2016 Davison ..... B60P 3/07

\* cited by examiner

*Primary Examiner* — Gino Colan

(74) *Attorney, Agent, or Firm* — Troutman Pepper Hamilton Sanders LLP

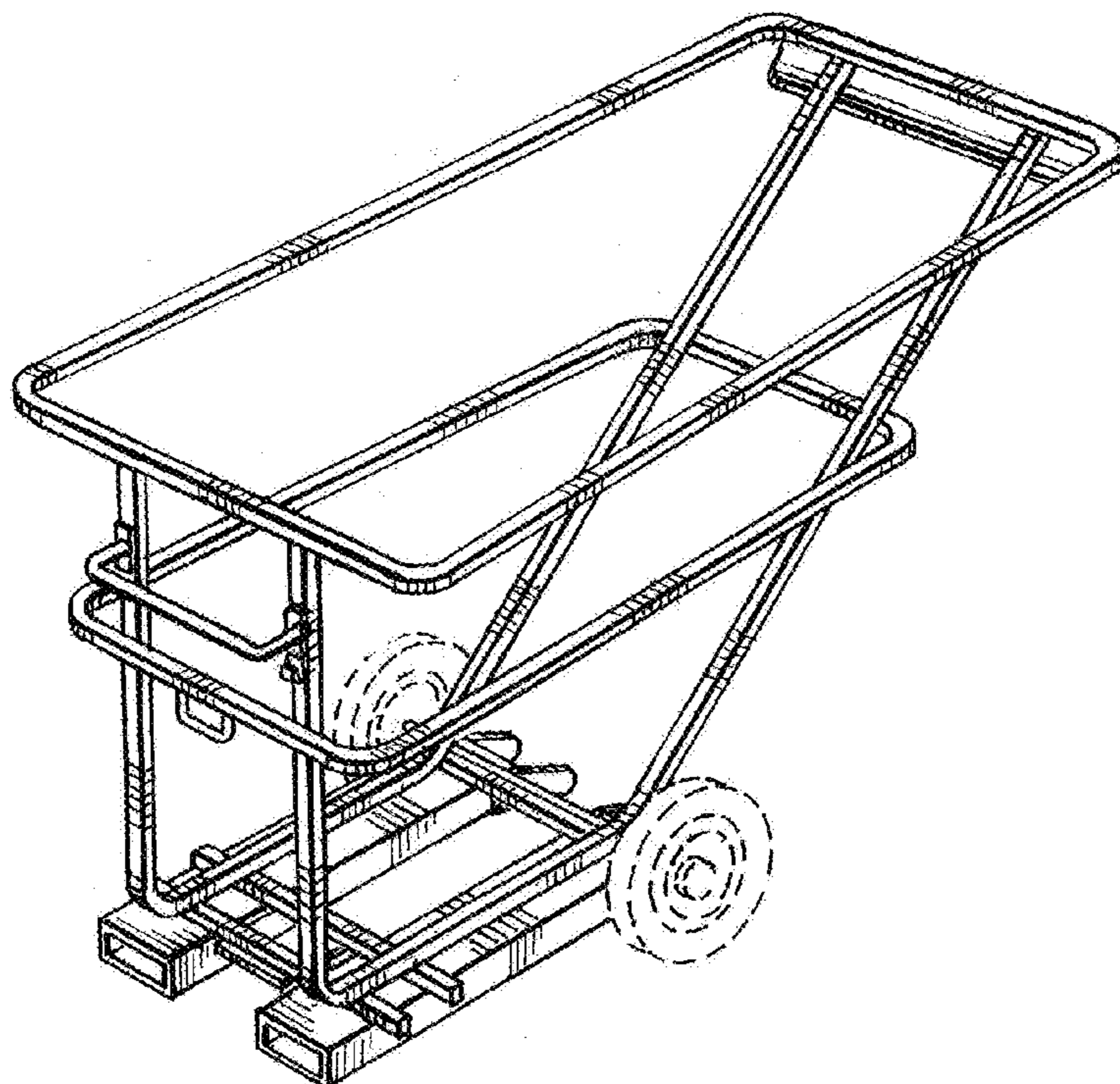
(57) **CLAIM**

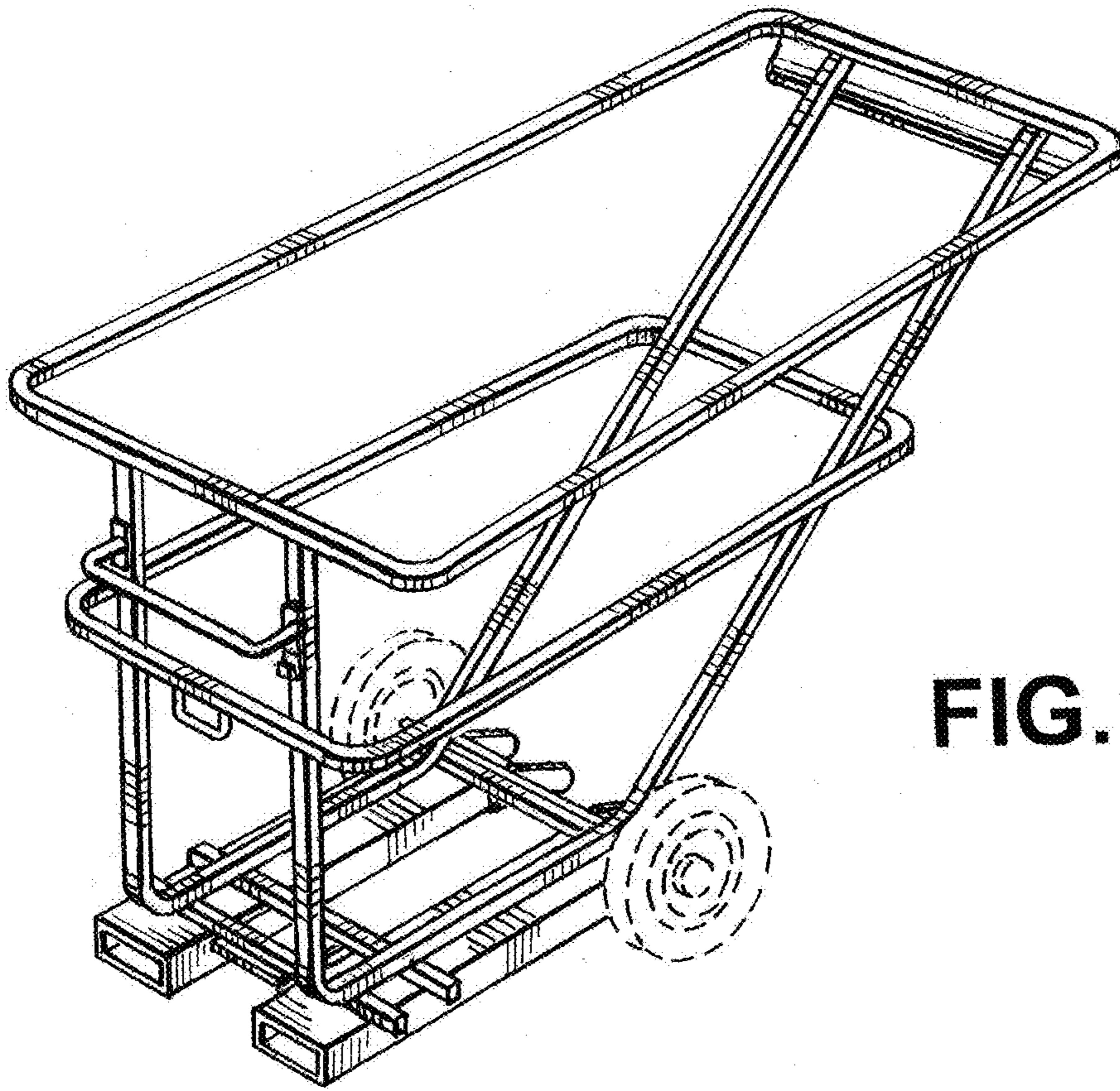
We claim the ornamental design for a forkliftable tilt truck frame, as shown and described.

**DESCRIPTION**

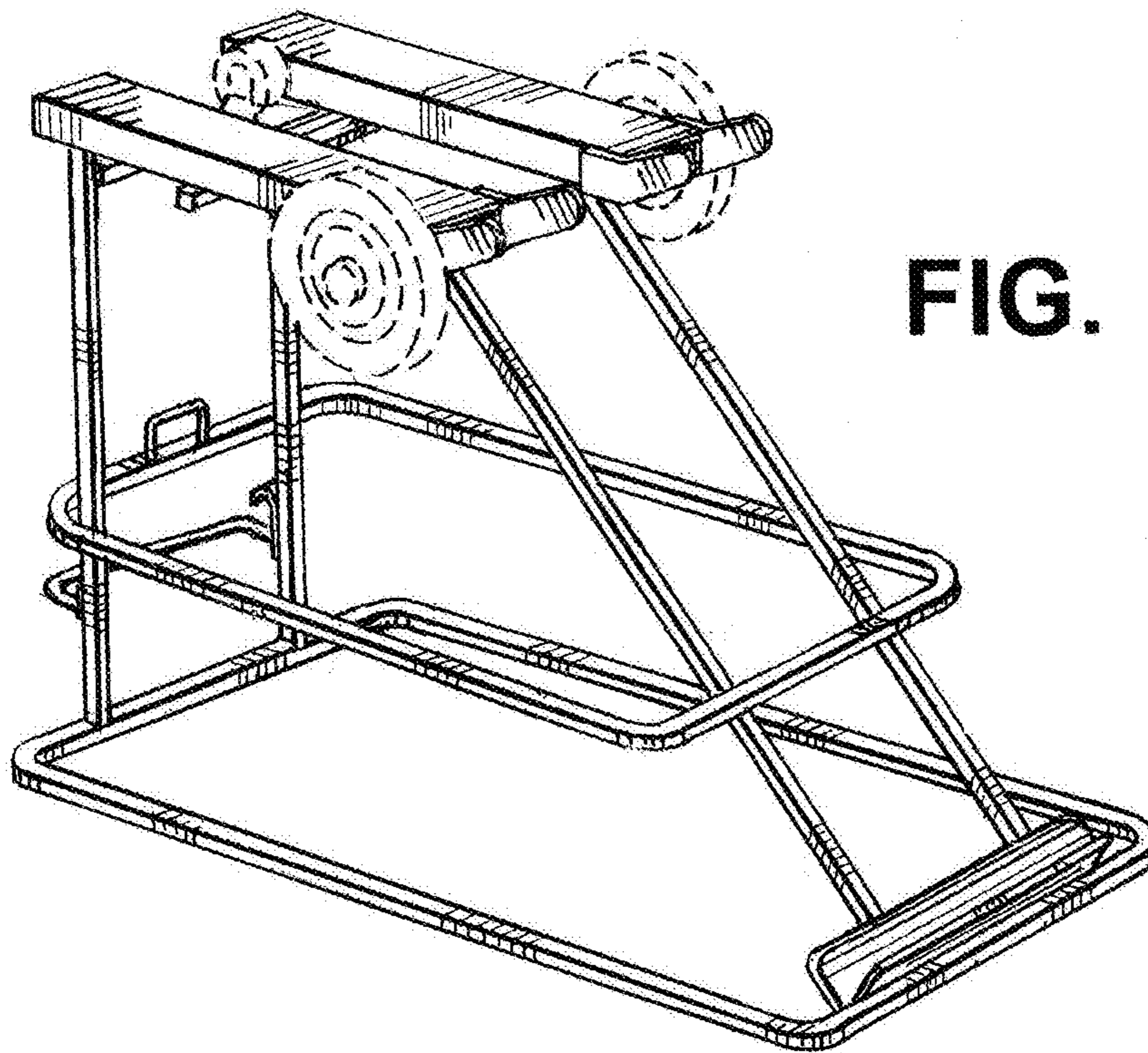
FIG. 1 is a top front perspective view of a forkliftable tilt truck frame showing our new design; FIG. 2 is a bottom rear perspective view thereof; FIG. 3 is a front side elevation view thereof; FIG. 4 is a left side elevation view thereof, in which the right side elevation view is a mirror image thereof; FIG. 5 is a rear side elevation view thereof; FIG. 6 is a top plan view thereof; and, FIG. 7 is a bottom plan view thereof. The broken line shown in the figures are for the purpose of illustrating the environment and form no part of the claimed design.

**1 Claim, 4 Drawing Sheets**

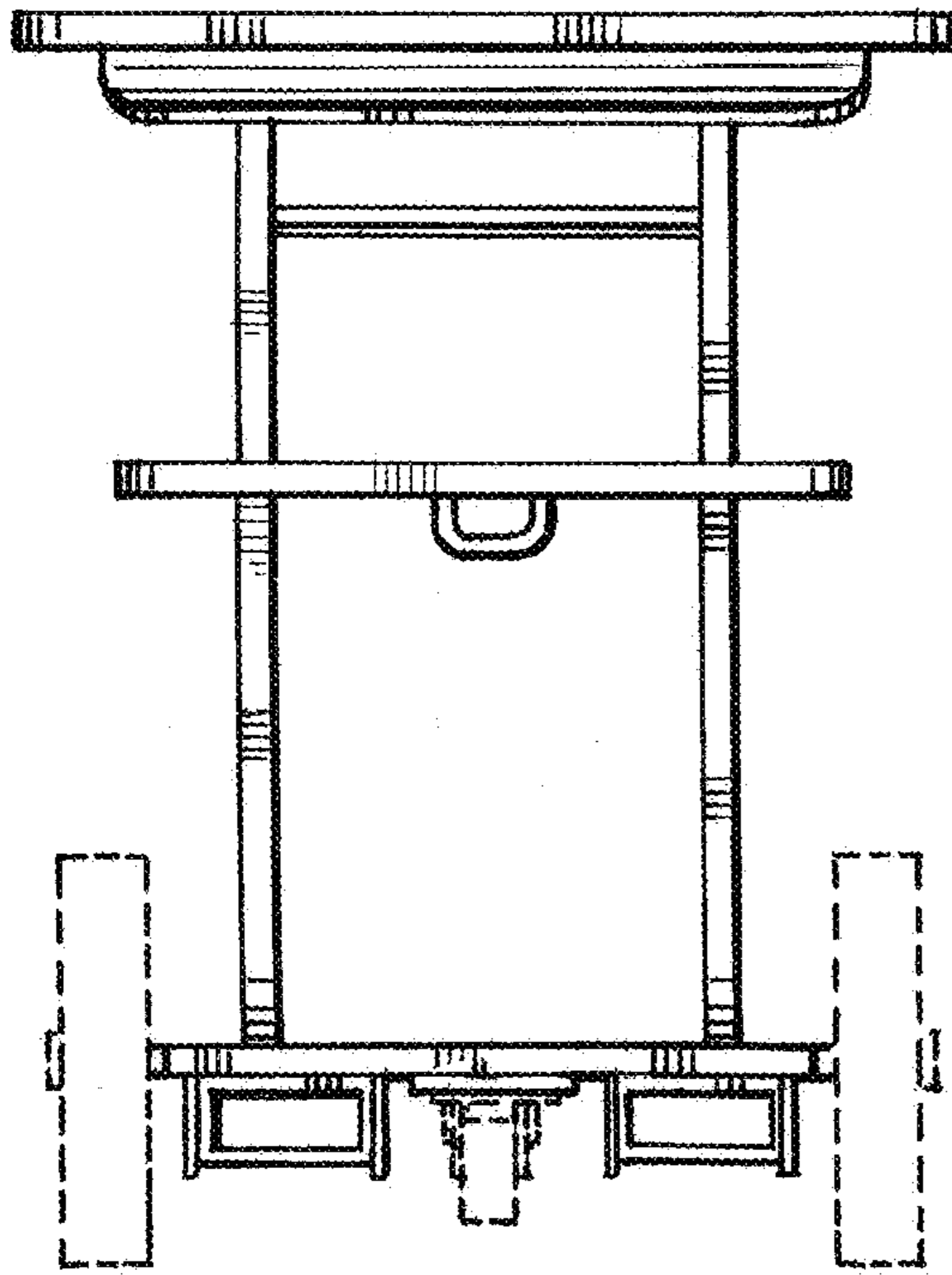




**FIG. 1**

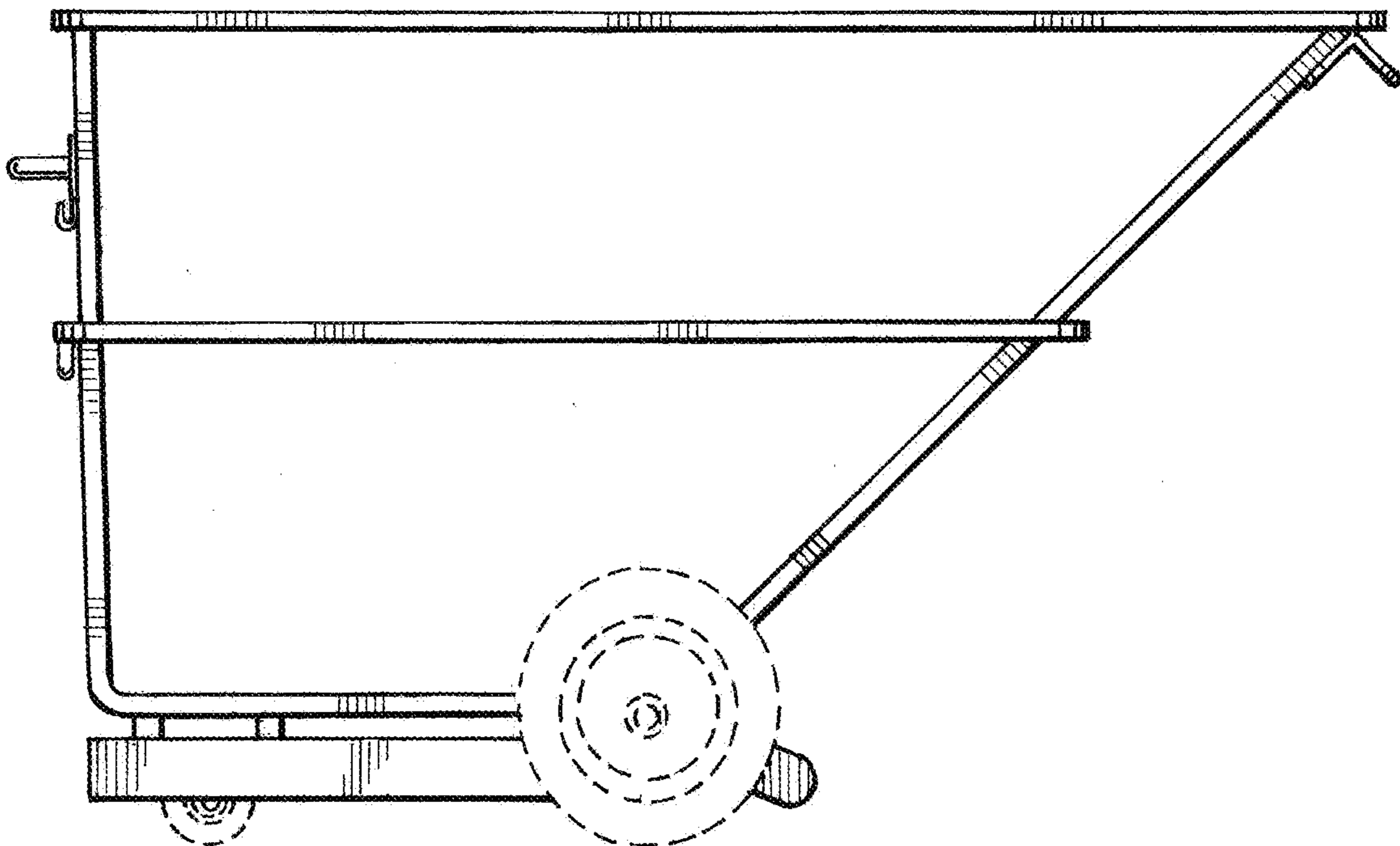


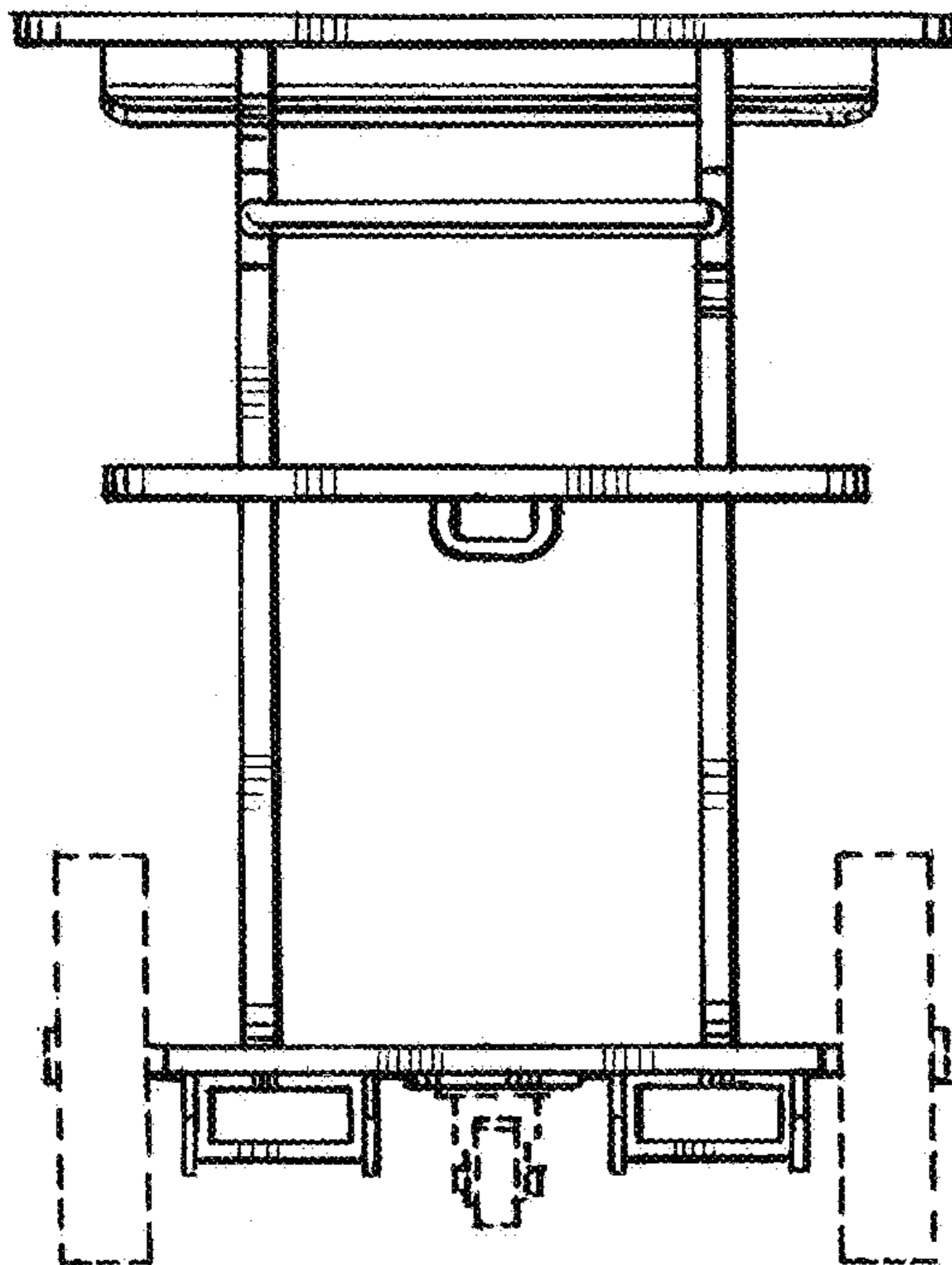
**FIG. 2**



**FIG. 3**

**FIG. 4**





**FIG. 5**

**FIG. 6**

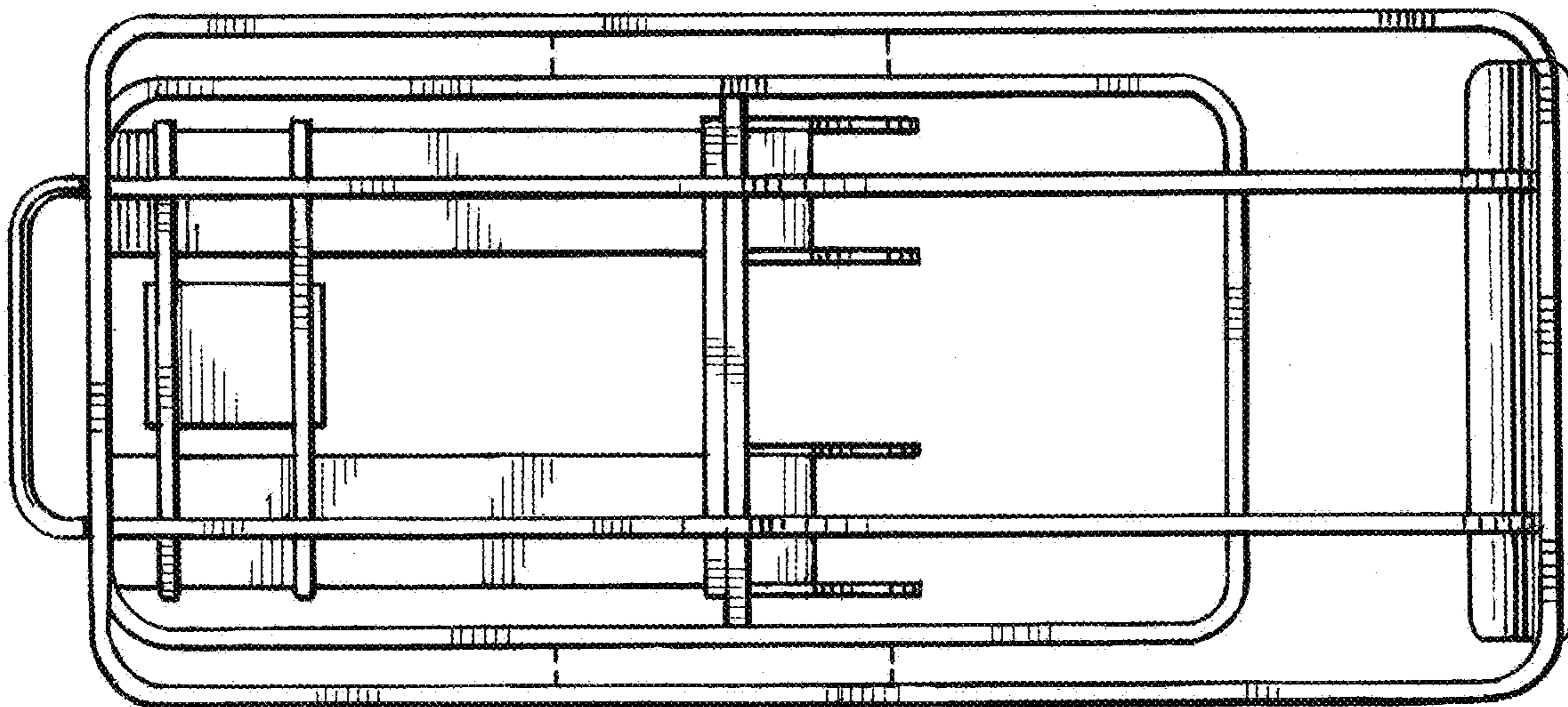


FIG. 7

