



US00D899017S

(12) **United States Design Patent** (10) **Patent No.:** **US D899,017 S**  
**Najimi** (45) **Date of Patent:** **\*\* Oct. 13, 2020**

- (54) **DRAIN CLEARANCE TOOL**
- (71) Applicant: **Juka Innovations Corporation**,  
Farmingdale, NY (US)
- (72) Inventor: **Solyman Najimi**, Farmingdale, NY  
(US)
- (73) Assignee: **Juka Innovations Corporation**,  
Farmingdale, NY (US)
- (\*\*) Term: **15 Years**
- (21) Appl. No.: **29/677,034**
- (22) Filed: **Jan. 16, 2019**
- (51) **LOC (12) Cl.** ..... **15-05**
- (52) **U.S. Cl.**  
USPC ..... **D32/14**
- (58) **Field of Classification Search**  
USPC ..... D32/14  
CPC ..... E03C 1/302; E03F 9/00; B24B 23/02  
See application file for complete search history.

(56) **References Cited**

**U.S. PATENT DOCUMENTS**

584,508	A *	6/1897	Hughes	.....	E03F 9/00
					15/104.31
1,568,094	A *	1/1926	Shelburne	.....	F02B 77/04
					15/104.05
D518,252	S *	3/2006	Wu	.....	D32/14
D625,058	S *	10/2010	Kovach	.....	D32/14
D639,623	S *	6/2011	Tash	.....	D32/14
D649,307	S *	11/2011	Zach	.....	D32/14
D649,723	S *	11/2011	Zach	.....	D32/14
D649,724	S *	11/2011	Zach	.....	D32/14
D652,184	S *	1/2012	Zach	.....	D32/14
D655,466	S *	3/2012	Zach	.....	D32/14
D657,099	S *	4/2012	Zach	.....	D32/14
D659,918	S *	5/2012	Zach	.....	D32/14
D670,874	S *	11/2012	Hohl	.....	D32/14
D706,004	S *	5/2014	Dennis	.....	D32/14
9,217,243	B2 *	12/2015	Gwen	.....	E03C 1/302

10,072,405	B2 *	9/2018	Beck	.....	B08B 9/04
10,156,252	B2 *	12/2018	Dunkin	.....	F16C 1/08
2014/0325747	A1 *	11/2014	Gwen	.....	E03C 1/302
					4/255.01
2015/0113748	A1 *	4/2015	Rutkowski	.....	E03C 1/302
					15/104.33
2016/0067752	A1 *	3/2016	Dennis	.....	B08B 9/0436
					4/255.01

(Continued)

**FOREIGN PATENT DOCUMENTS**

KR	300638193.0000	*	3/2012
KR	300638205.0001	*	8/2012

**OTHER PUBLICATIONS**

FlexiSnake Drain Millipede Hair Clog Tool for Drain Cleaning, Home Depot website reviews 2014, <https://www.homedepot.com/p/FlexiSnake-Drain-Millipede-Hair-Clog-Tool-for-Drain-Cle...> site visited May 11, 2020.\*

*Primary Examiner* — John R Yeh

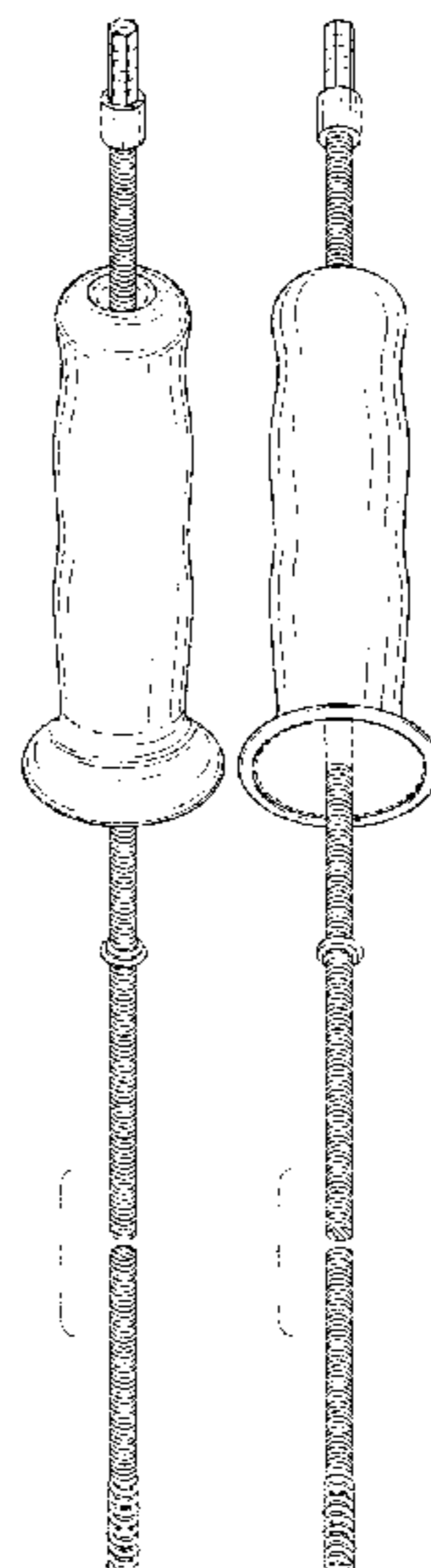
(57) **CLAIM**

The ornamental design for a drain clearance tool, as shown and described.

**DESCRIPTION**

FIG. 1 is a top perspective view for a drain clearance tool showing my new design;  
FIG. 2 is a bottom perspective view thereof;  
FIG. 3 is a front view thereof;  
FIG. 4 is a rear view thereof;  
FIG. 5 is a left view thereof;  
FIG. 6 is a right view thereof;  
FIG. 7 is a top view thereof; and,  
FIG. 8 is a bottom view thereof.  
The broken lines depict portions of the drain cleaning tool that form no part of the claimed design.

**1 Claim, 8 Drawing Sheets**



(56)

**References Cited**

U.S. PATENT DOCUMENTS

2017/0232484 A1\* 8/2017 Kehoe ..... B65H 75/364  
15/104.095  
2018/0142458 A1\* 5/2018 Bowles ..... E03C 1/302

\* cited by examiner

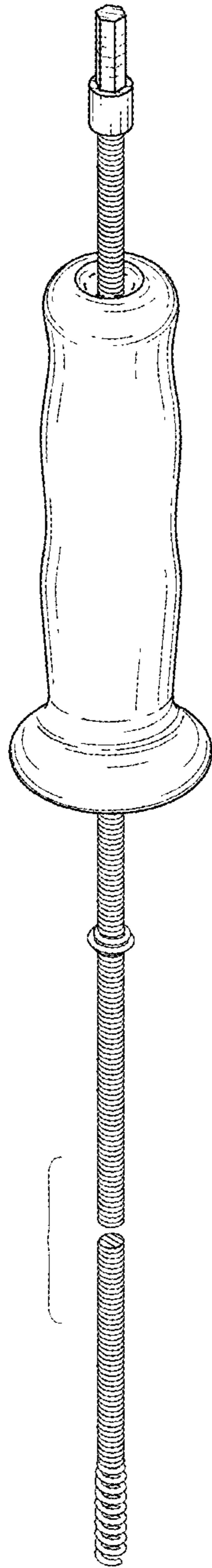


FIG. 1

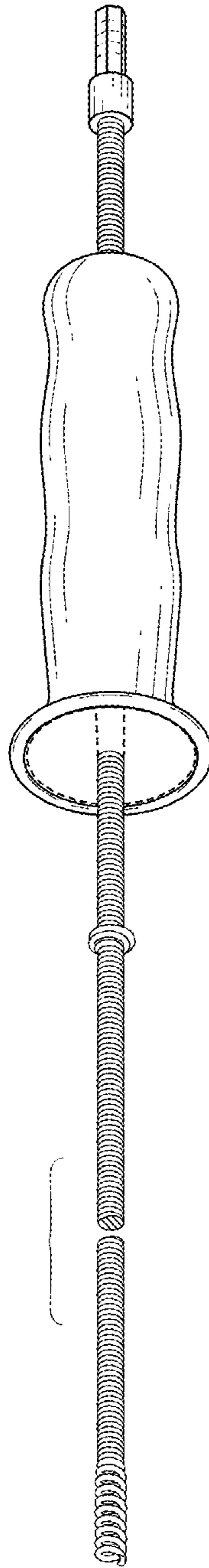


FIG. 2

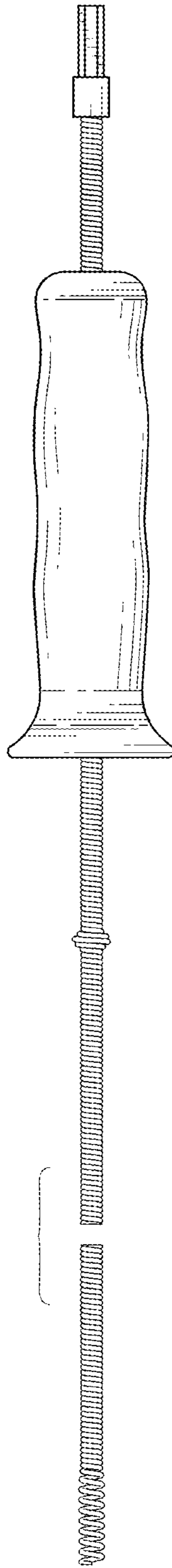


FIG. 3

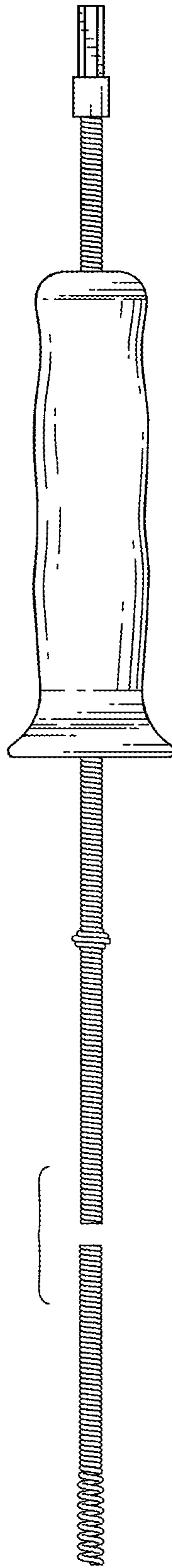


FIG. 4

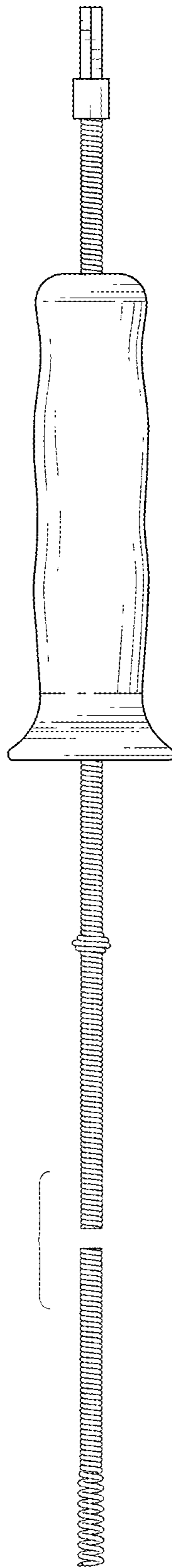


FIG. 5

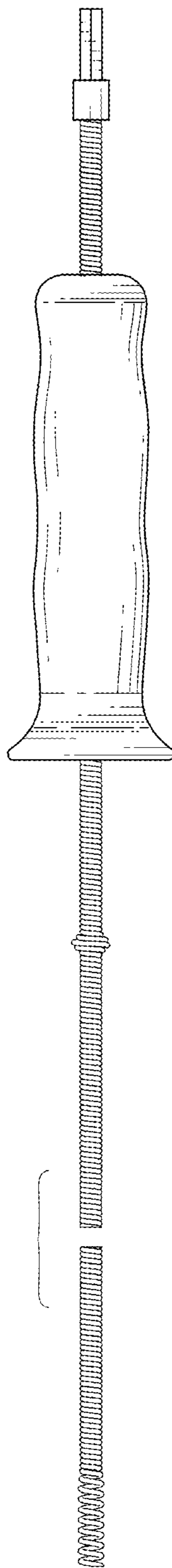


FIG. 6



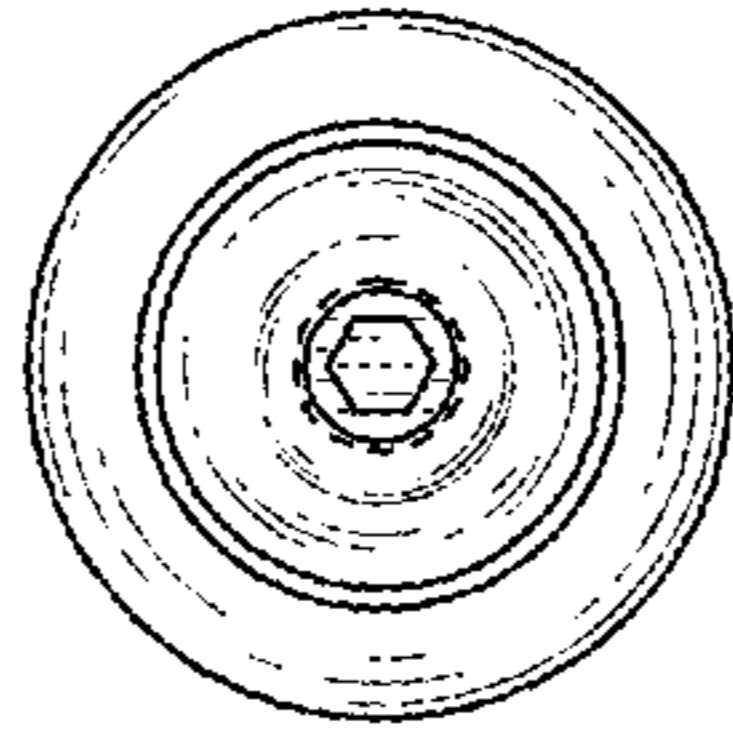


FIG. 7

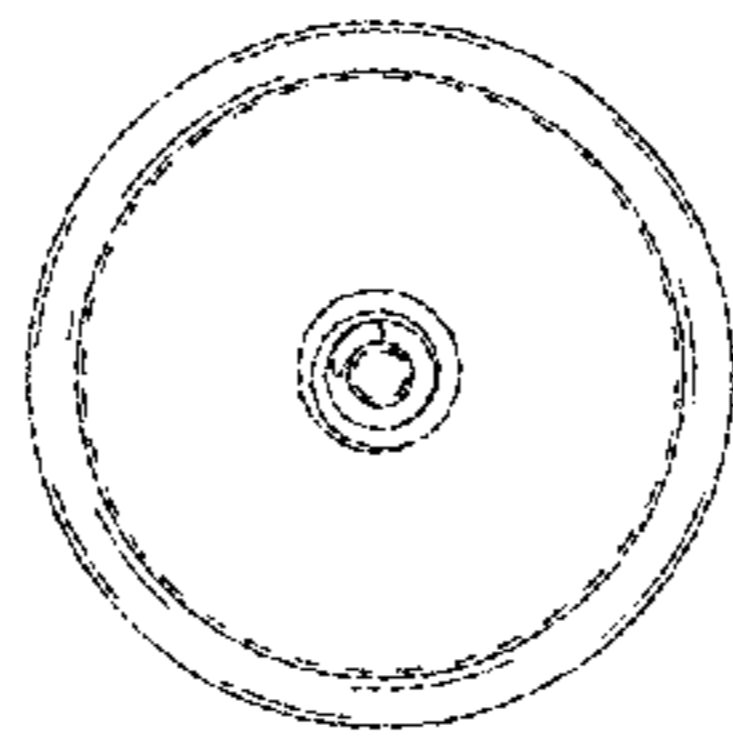


FIG. 8