



US00D899016S

(12) **United States Design Patent** (10) **Patent No.:** **US D899,016 S**  
**Jia** (45) **Date of Patent:** **\*\* Oct. 13, 2020**

(54) **REMOTE DOG TRAINER**  
(71) Applicant: **Shenzhen Smart Pet Technology Co., Ltd.**, Shenzhen (CN)  
(72) Inventor: **Yaya Jia**, Shenzhen (CN)  
(73) Assignee: **SHENZHEN SMART PET TECHNOLOGY CO., LTD.**, Shenzhen (CN)  
(\*\*) Term: **15 Years**

D535,973 S \* 1/2007 Goetzl ..... D14/155  
D545,790 S \* 7/2007 Jameson ..... D10/104.1  
D576,128 S \* 9/2008 Tran ..... D14/137  
D595,684 S \* 7/2009 Ganley ..... D14/155  
D685,756 S \* 7/2013 Liu ..... D14/155  
D685,757 S \* 7/2013 Liu ..... D14/155  
D711,848 S \* 8/2014 Liu ..... D14/155  
D771,327 S \* 11/2016 Hu ..... D10/104.1  
D774,935 S \* 12/2016 Liu ..... D10/104.1  
9,642,338 B2 \* 5/2017 Kim ..... A01K 15/023  
D835,860 S \* 12/2018 Li ..... D30/199  
D835,861 S \* 12/2018 Li ..... D30/199  
10,159,219 B2 \* 12/2018 Van Curen ..... A01K 15/022  
D862,812 S \* 10/2019 Jia ..... D30/199

(Continued)

(21) Appl. No.: **29/686,553**

Primary Examiner — Susan Moon Lee

(22) Filed: **Apr. 4, 2019**

(51) **LOC (12) Cl.** ..... **30-99**

(57) **CLAIM**

(52) **U.S. Cl.**  
USPC ..... **D30/199; D10/104.1**

The ornamental design for a remote dog trainer, as shown and described.

(58) **Field of Classification Search**  
USPC ..... D30/199, 155; 119/718–721, 712, 905, 119/908, 859; D10/104.1, 106.1, 104.2, D10/106.3; D14/137, 496, 218, 159; 340/573.3, 573.1, 384.2, 825.76, 538.15, 340/538.16, 539.1, 539.11, 539.14, 340/539.15, 539.16, 539.17, 539.18, 340/539.19, 572.7, 572.8, 572.9, 573.2, 340/573.4; D13/168  
CPC .. A01K 15/021; A01K 15/022; A01K 15/023; A01K 15/029; A01K 15/04; A01K 15/00; A01K 15/02; A01K 15/006; A01K 27/009; A01K 29/005; A01K 29/00  
See application file for complete search history.

**DESCRIPTION**

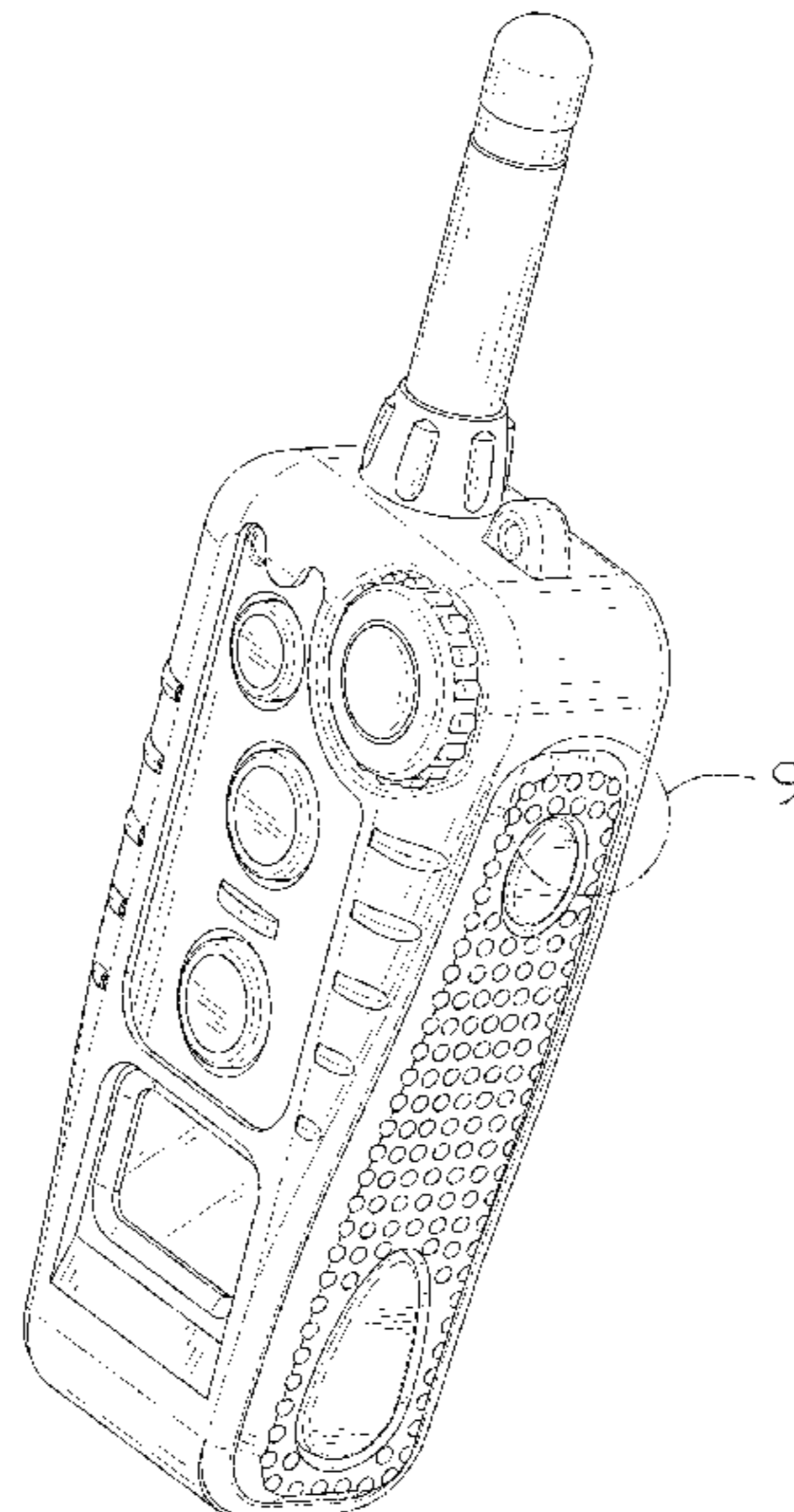
FIG. 1 is a top front perspective view of a remote dog trainer showing my new design;  
FIG. 2 is another perspective view of the remote dog trainer at an offset angle with respect to FIG. 1;  
FIG. 3 is a front elevational view thereof;  
FIG. 4 is a rear elevational view thereof;  
FIG. 5 is a left side elevational view thereof;  
FIG. 6 is a right side elevational view thereof;  
FIG. 7 is a top plan view thereof;  
FIG. 8 is a bottom plan view thereof;  
FIG. 9 is a partial enlarged view thereof, as labeled with symbol 9 in FIG. 1; and,  
FIG. 10 is another partial enlarged view thereof, as labeled with symbol 10 in FIG. 8.  
Broken lines and unshaded portions contained within broken lines depict portions of the remote dog trainer that form no part of the claimed design but are shown for purposes of illustration.

(56) **References Cited**

U.S. PATENT DOCUMENTS

D404,034 S \* 1/1999 Bhavnani ..... D14/194  
D408,396 S \* 4/1999 Tyneski ..... D14/137  
D462,916 S \* 9/2002 Fleetwood ..... D10/104.1  
D482,630 S \* 11/2003 So ..... D30/199  
D487,026 S \* 2/2004 Fleetwood ..... D10/104.1

**1 Claim, 10 Drawing Sheets**



(56)

**References Cited**

U.S. PATENT DOCUMENTS

D881,486 S *	4/2020	Li .....	D30/199
2002/0092478 A1 *	7/2002	Duncan .....	A01K 15/021
			119/720
2005/0172912 A1 *	8/2005	Crist .....	A01K 15/021
			119/720
2012/0272924 A1 *	11/2012	So .....	A01K 15/021
			119/720
2013/0118418 A1 *	5/2013	Lalor .....	F41C 27/00
			119/720
2014/0261233 A1 *	9/2014	So .....	A01K 27/009
			119/720
2016/0100552 A1 *	4/2016	So .....	A01K 27/001
			119/719
2017/0208775 A1 *	7/2017	Van Curen .....	A01K 15/021
2017/0360003 A1 *	12/2017	So .....	A01K 15/021
2020/0015456 A1 *	1/2020	Van Curen .....	A01K 15/022

\* cited by examiner

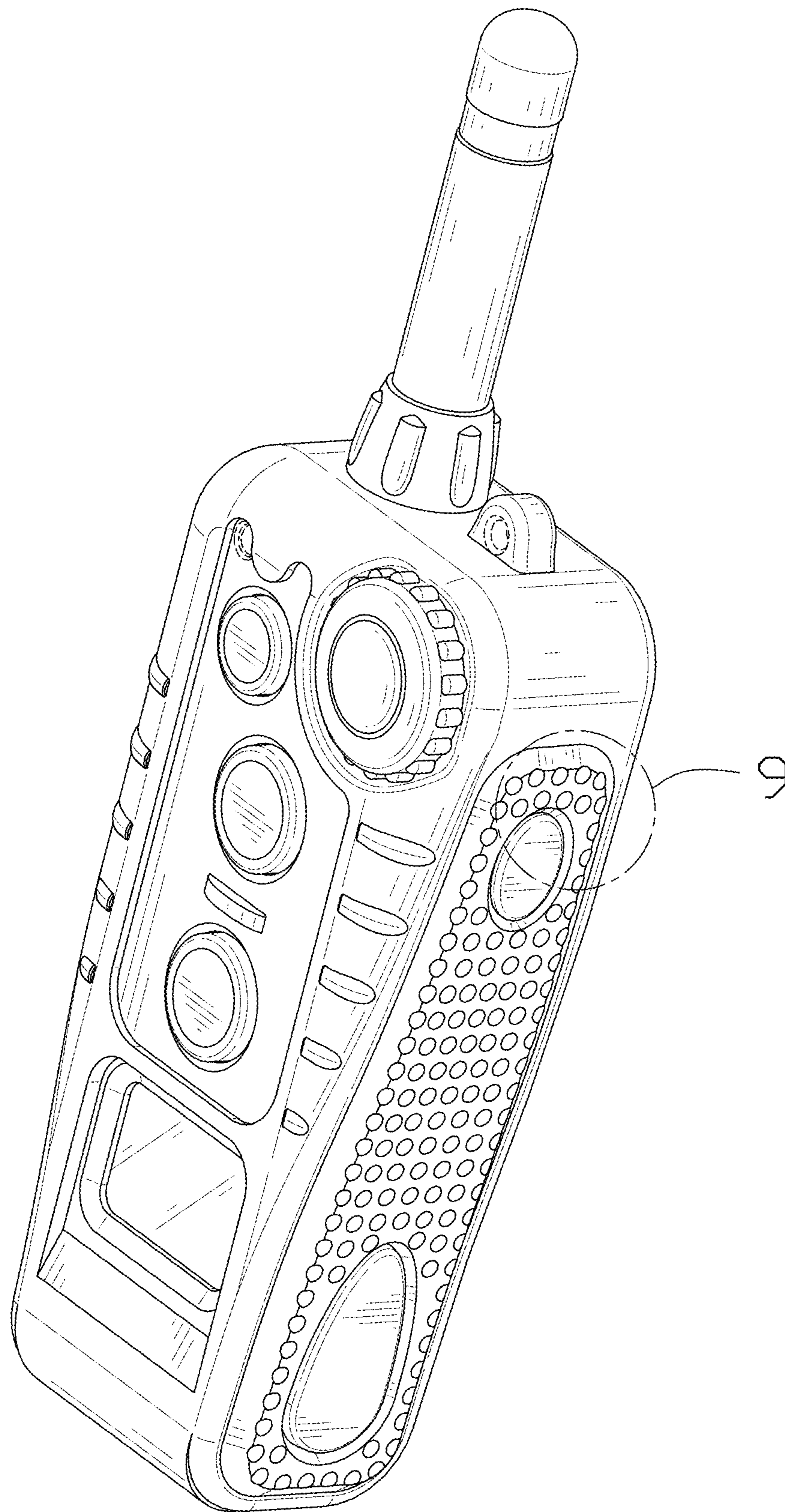


FIG. 1

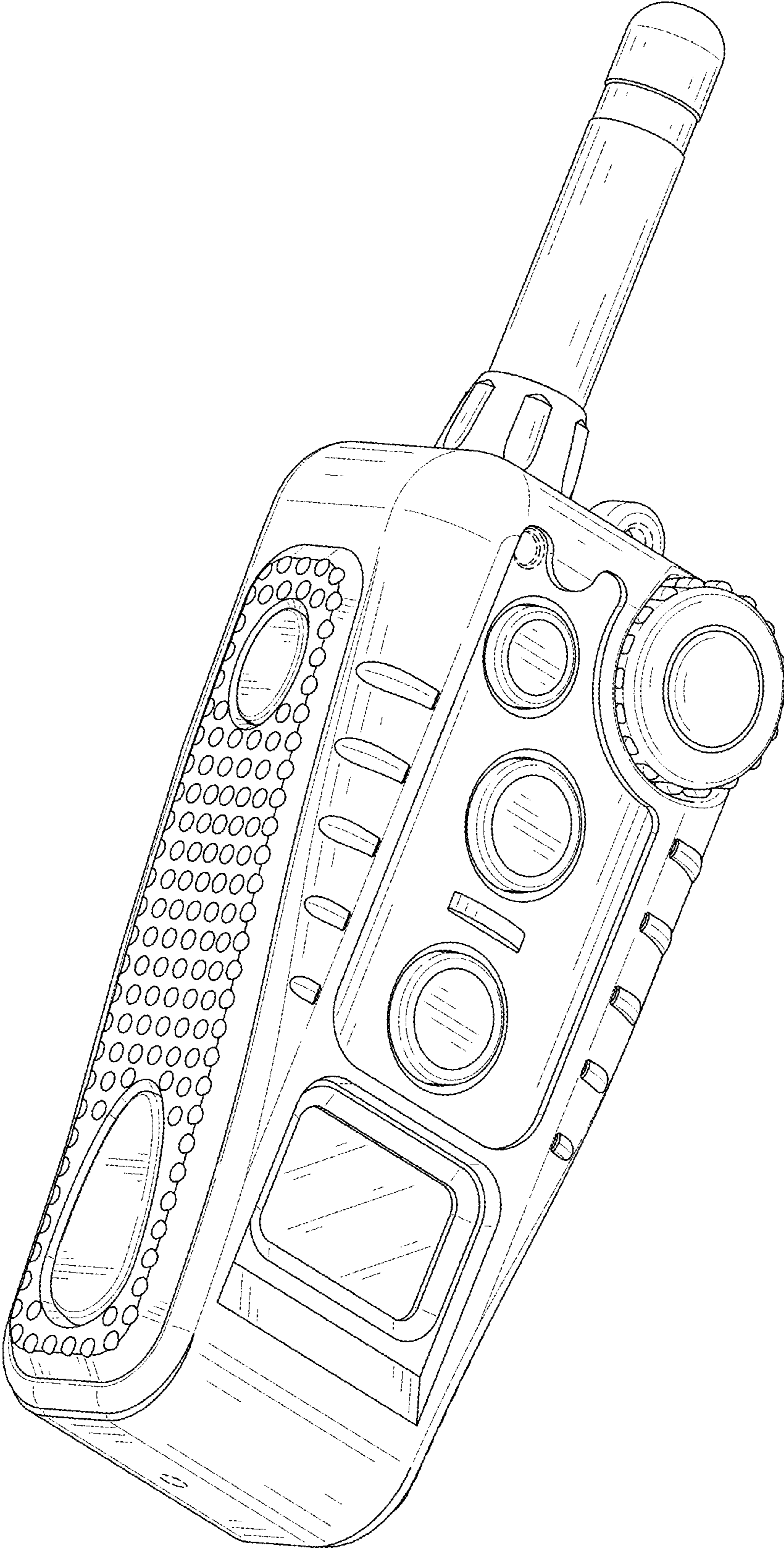


FIG. 2

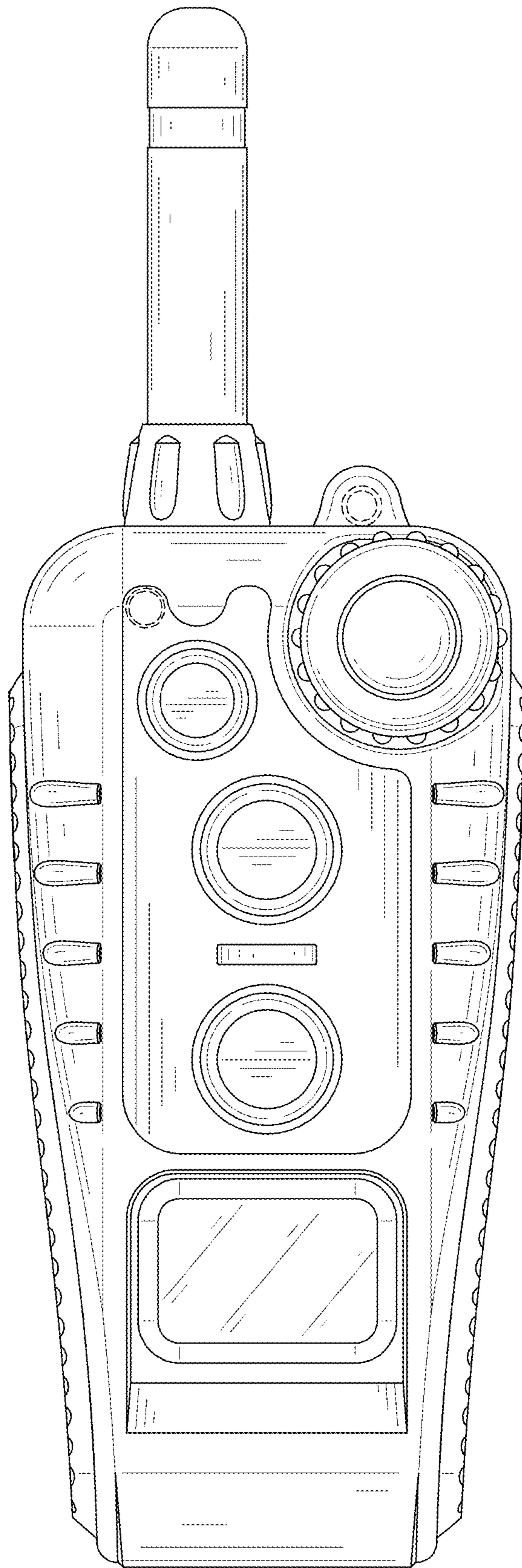


FIG. 3

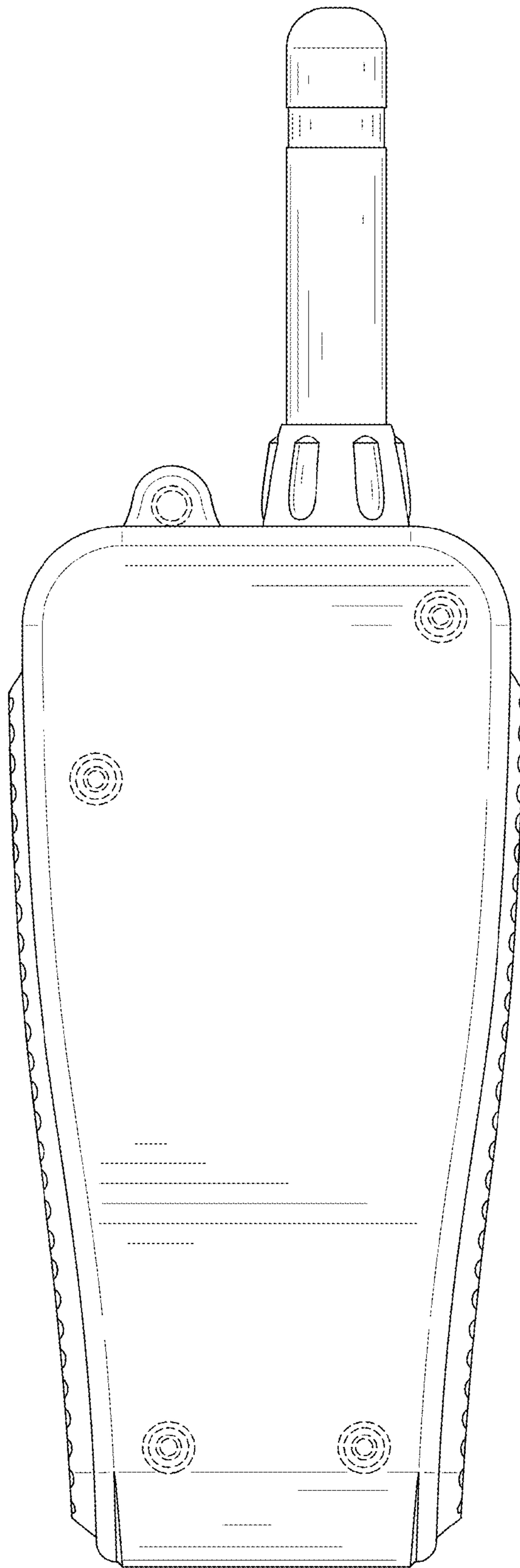


FIG. 4

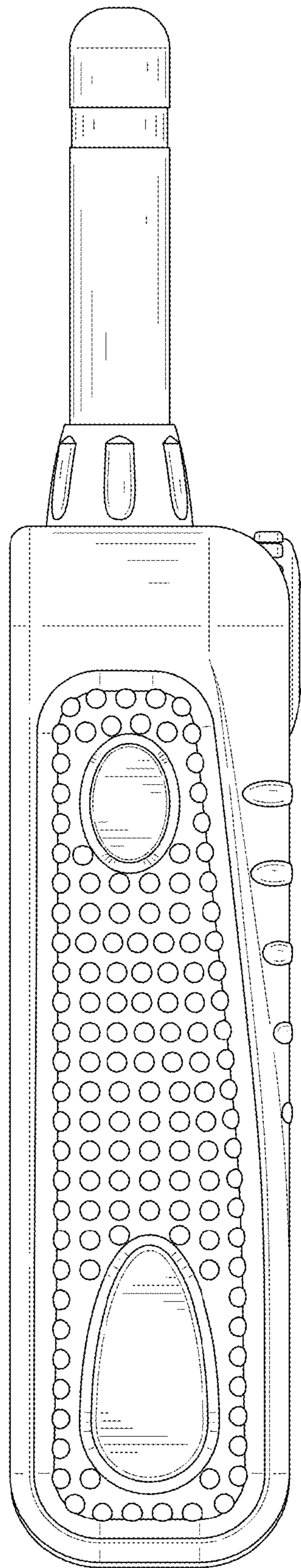


FIG. 5

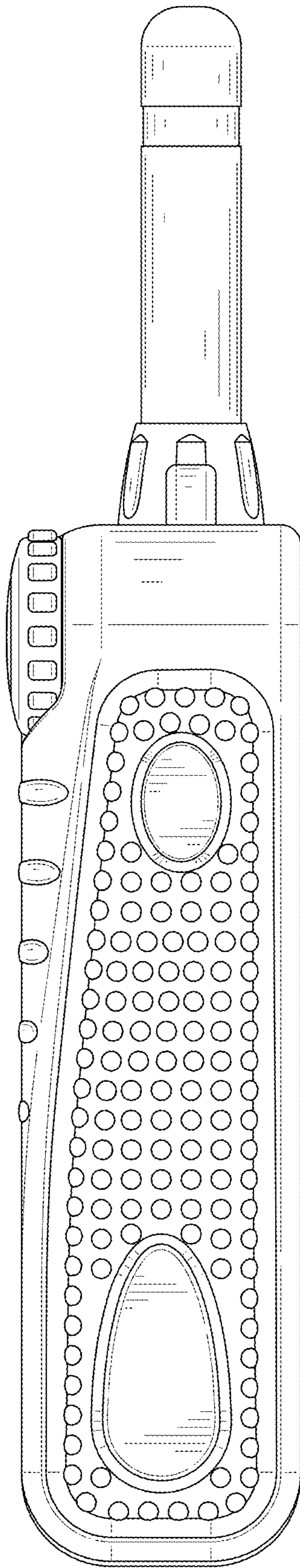


FIG. 6



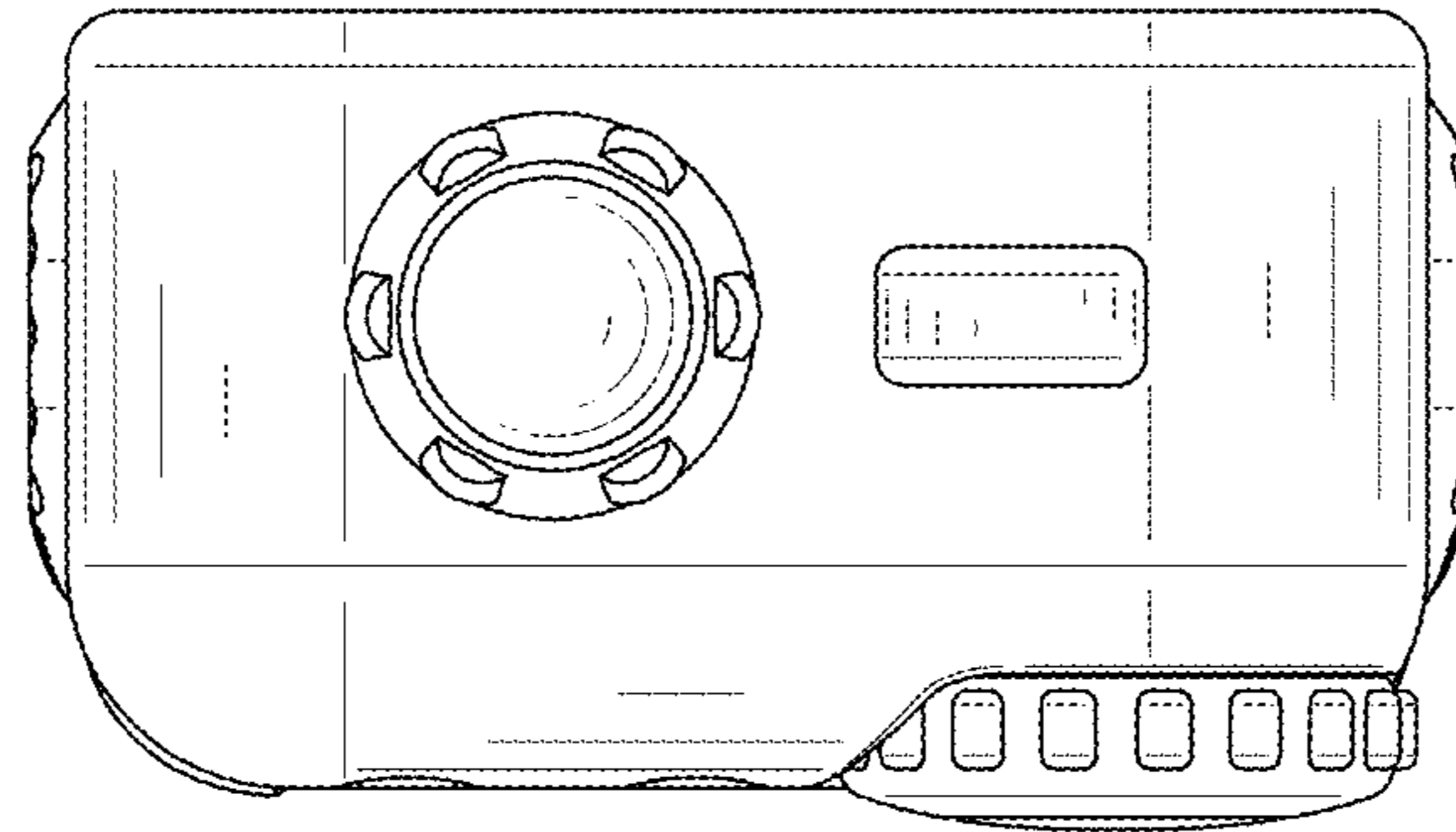


FIG. 7

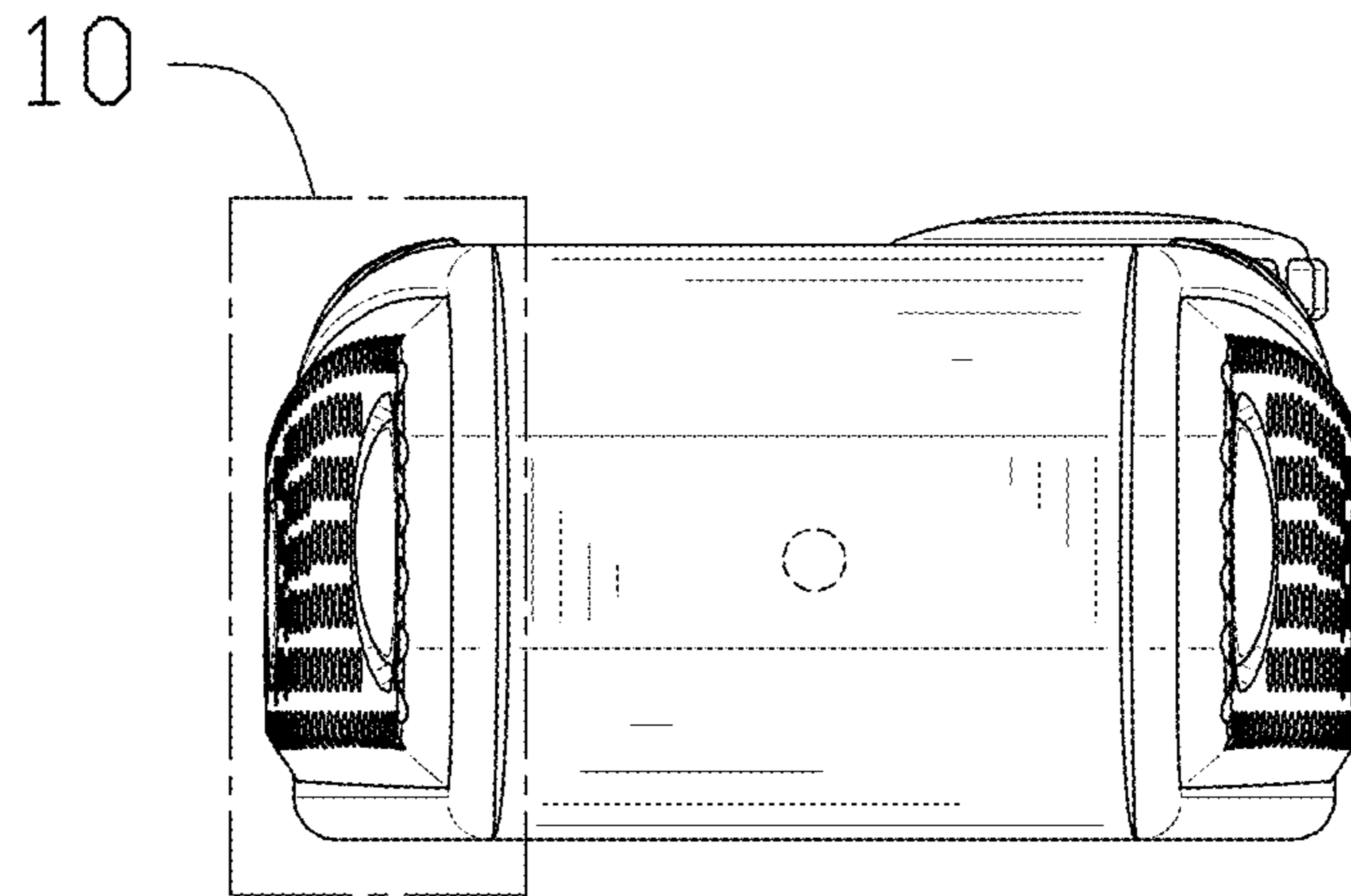


FIG. 8

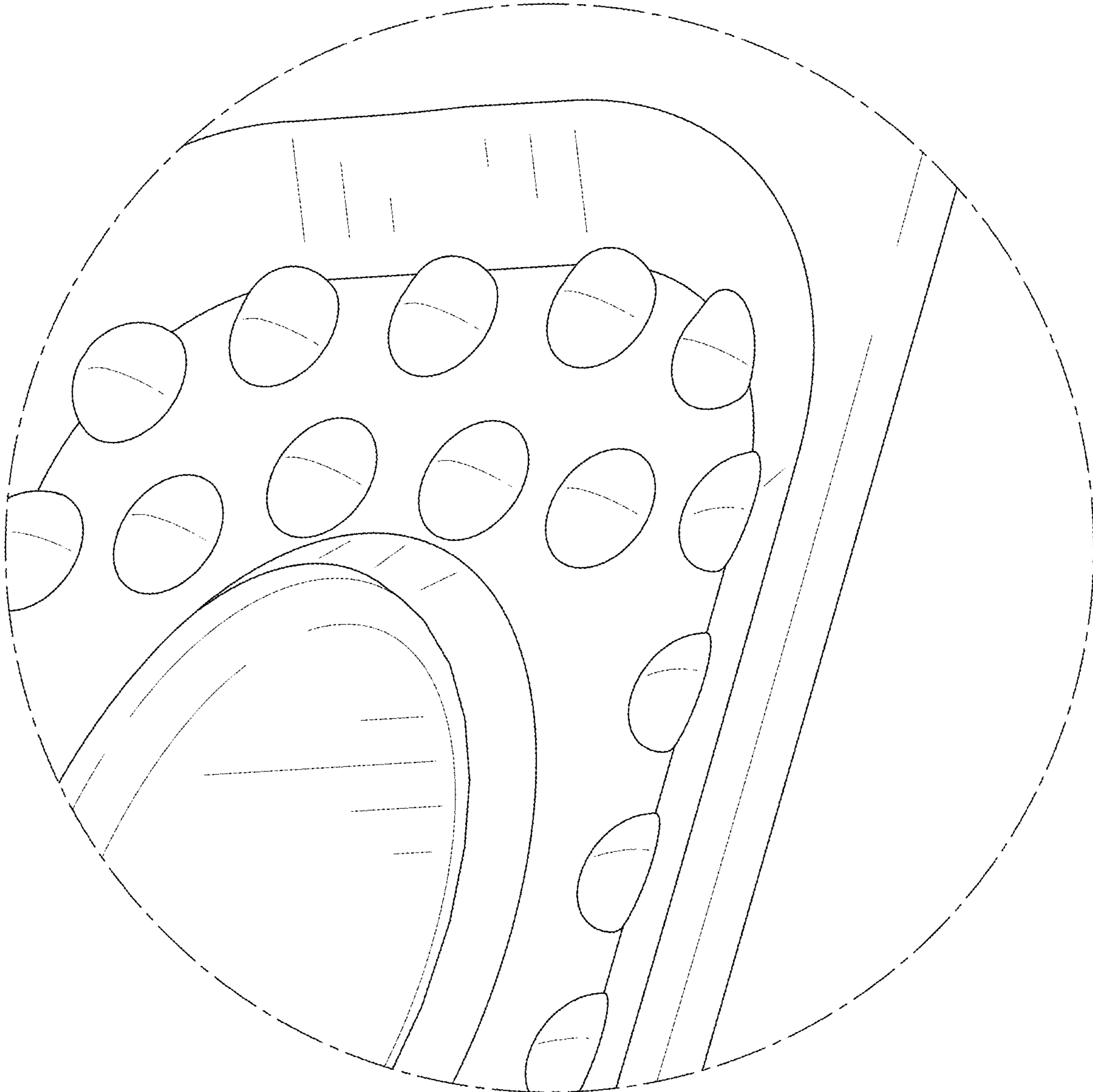


FIG. 9

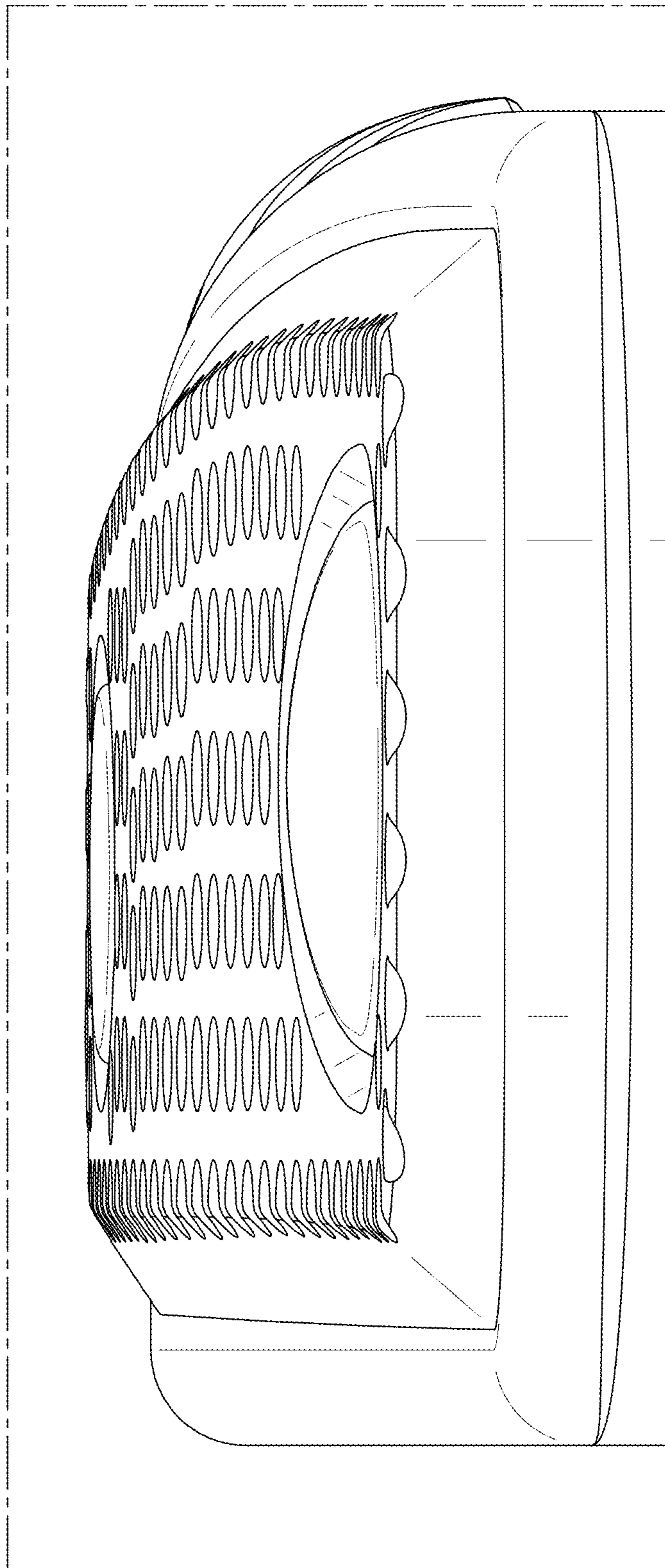


FIG. 10