

US00D899013S

(12) **United States Design Patent** (10) **Patent No.:** **US D899,013 S**
Wolfe, Jr. et al. (45) **Date of Patent:** **** Oct. 13, 2020**

(54) **ANIMAL TOY**
(71) Applicant: **Starmark Pet Products, Inc.**, Hutto, TX (US)
(72) Inventors: **Jerry J. Wolfe, Jr.**, Hutto, TX (US); **Harold Keith Benson**, Hutto, TX (US)
(73) Assignee: **Starmark Pet Products, Inc.**, Hutto, TX (US)

D825,116 S * 8/2018 Wills D30/160
D845,217 S * 4/2019 Oki D12/536
D848,087 S * 5/2019 Ramirez D30/160
D876,032 S * 2/2020 Baker D30/160
2017/0094943 A1* 4/2017 Wilson A01K 15/021
2017/0105390 A1* 4/2017 Wilson A01K 15/025

FOREIGN PATENT DOCUMENTS

WO WO-2005047119 A2 * 5/2005 A01K 15/025
* cited by examiner

(**) Term: **15 Years**
(21) Appl. No.: **29/683,639**

Primary Examiner — Sandra S Snapp
Assistant Examiner — Mehri Bajoul
(74) *Attorney, Agent, or Firm* — Russell Ng PLLC; Brian F. Russell

(22) Filed: **Mar. 14, 2019**
(51) **LOC (12) Cl.** **30-99**
(52) **U.S. Cl.**
USPC **D30/160**
(58) **Field of Classification Search**
USPC D30/160, 161; D21/398, 498, 713;
D24/11; D1/130; 119/707, 709, 711
CPC B60L 15/2036; A01K 15/027; A01K 5/02;
A01K 15/021; A01K 15/025; A01K
5/0114
See application file for complete search history.

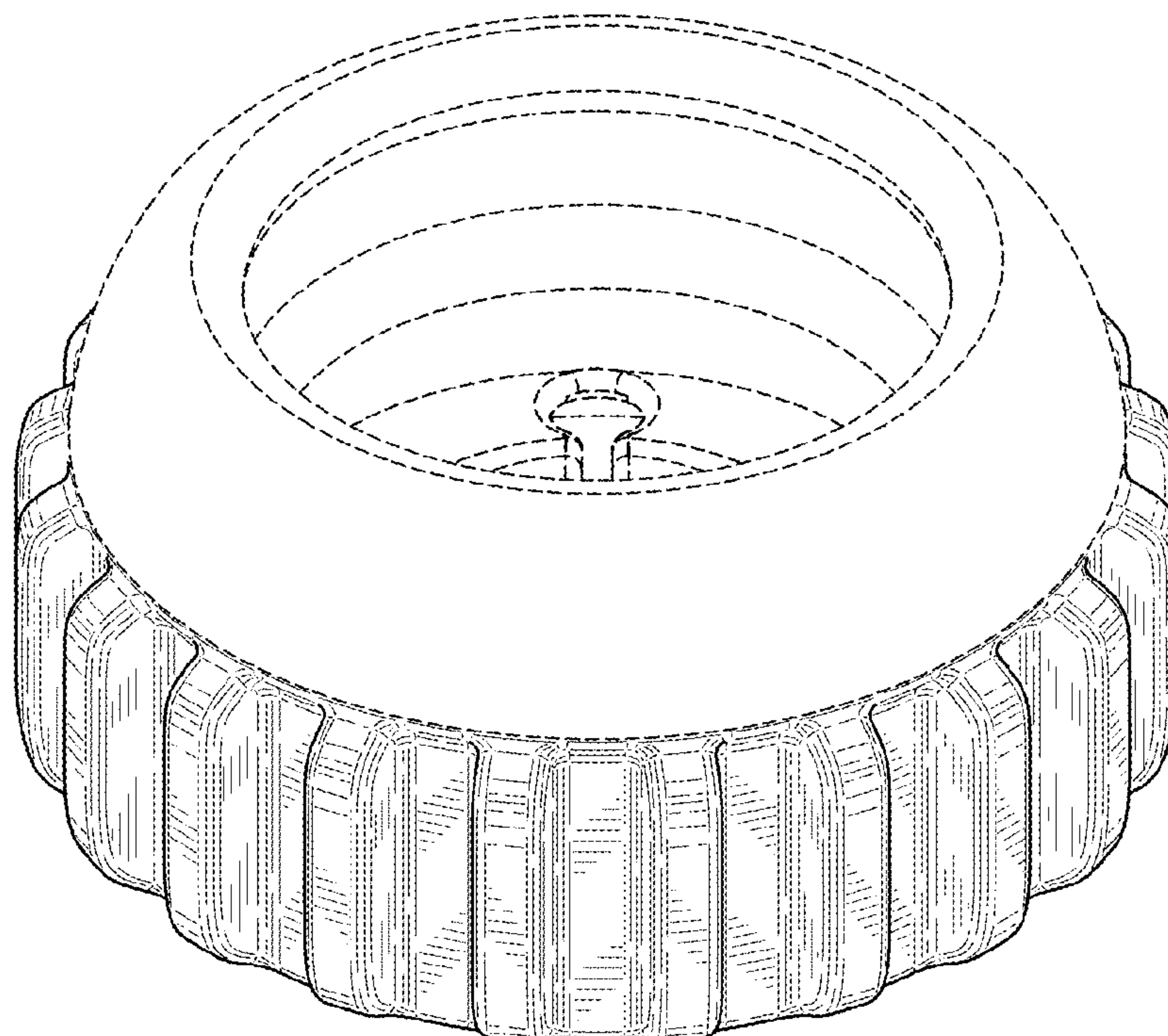
(57) **CLAIM**
The ornamental design for an animal toy, as shown and described.

DESCRIPTION

FIG. 1 is a top perspective view of the animal toy.
FIG. 2 is a bottom perspective view of the animal toy.
FIG. 3 is a front elevation view of the animal toy.
FIG. 4 is a back elevation view of the animal toy.
FIG. 5 is a left side elevation view of the animal toy.
FIG. 6 is a right side elevation view of the animal toy.
FIG. 7 is a top plan view of the animal toy; and,
FIG. 8 is a bottom plan view of the animal toy.
The broken lines shown in the drawings directly adjacent to the shaded surfaces are boundary lines. All other broken lines depict portions of the animal toy. None of the broken lines form part of the claimed design.

(56) **References Cited**
U.S. PATENT DOCUMENTS
D244,474 S * 5/1977 Yamazaki D30/160
D392,344 S * 3/1998 Salisian D21/443
D458,438 S * 6/2002 Volk, III D2/869
D524,877 S * 7/2006 Kort et al. D21/443
D658,825 S * 5/2012 Wolfe, Jr. D30/160
D799,408 S * 10/2017 Hasegawa D12/534

1 Claim, 6 Drawing Sheets



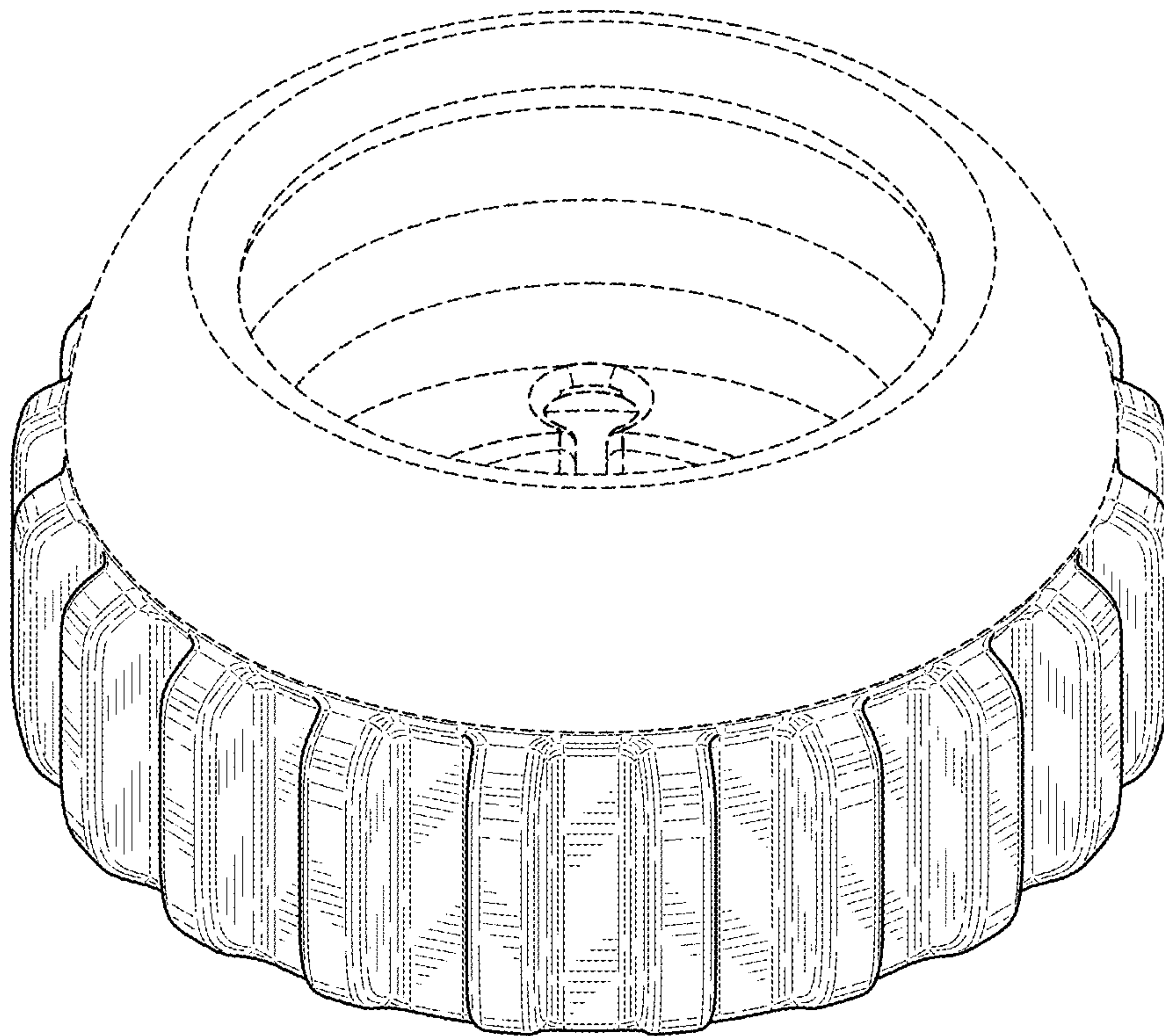


FIG. 1

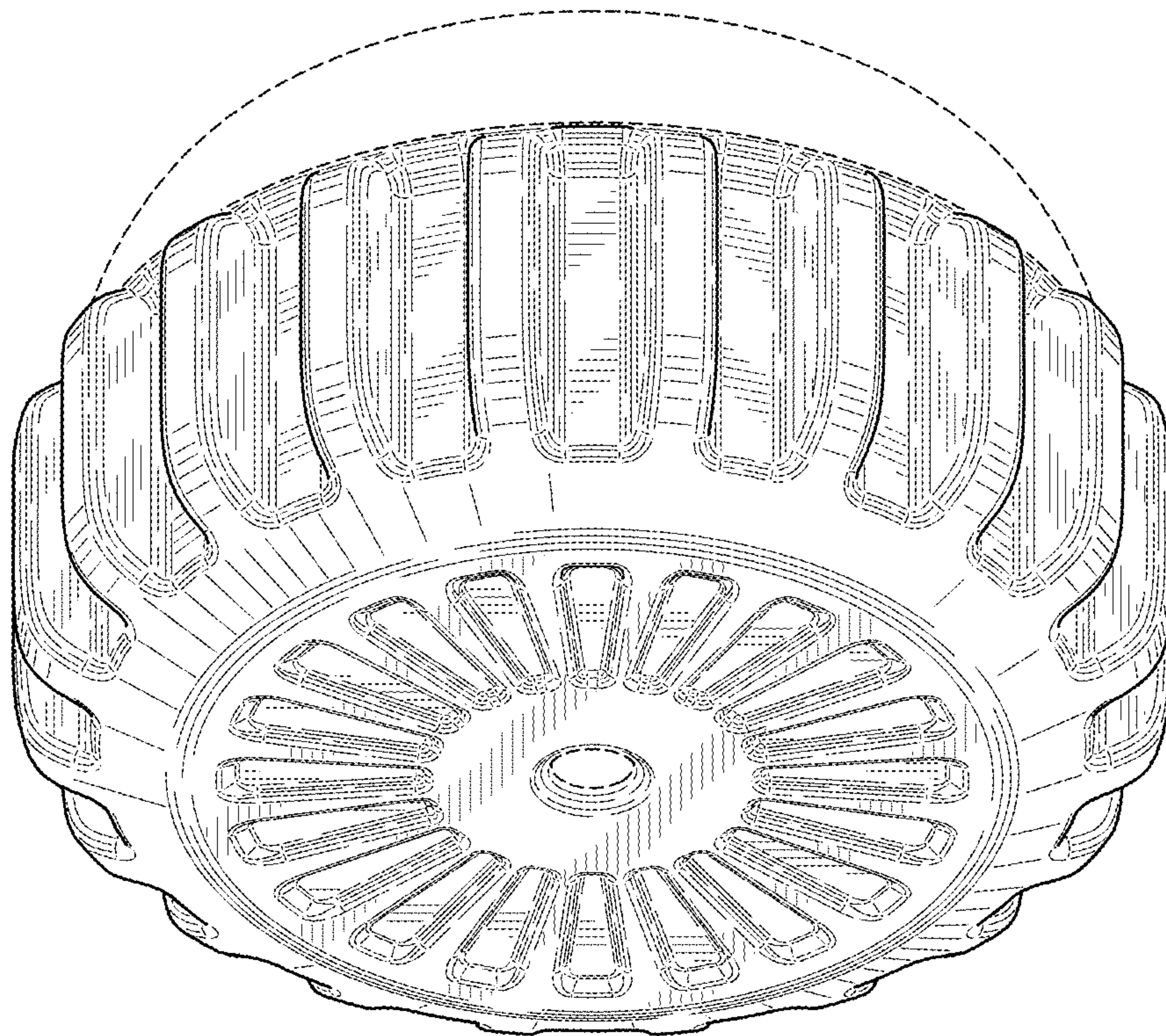


FIG. 2

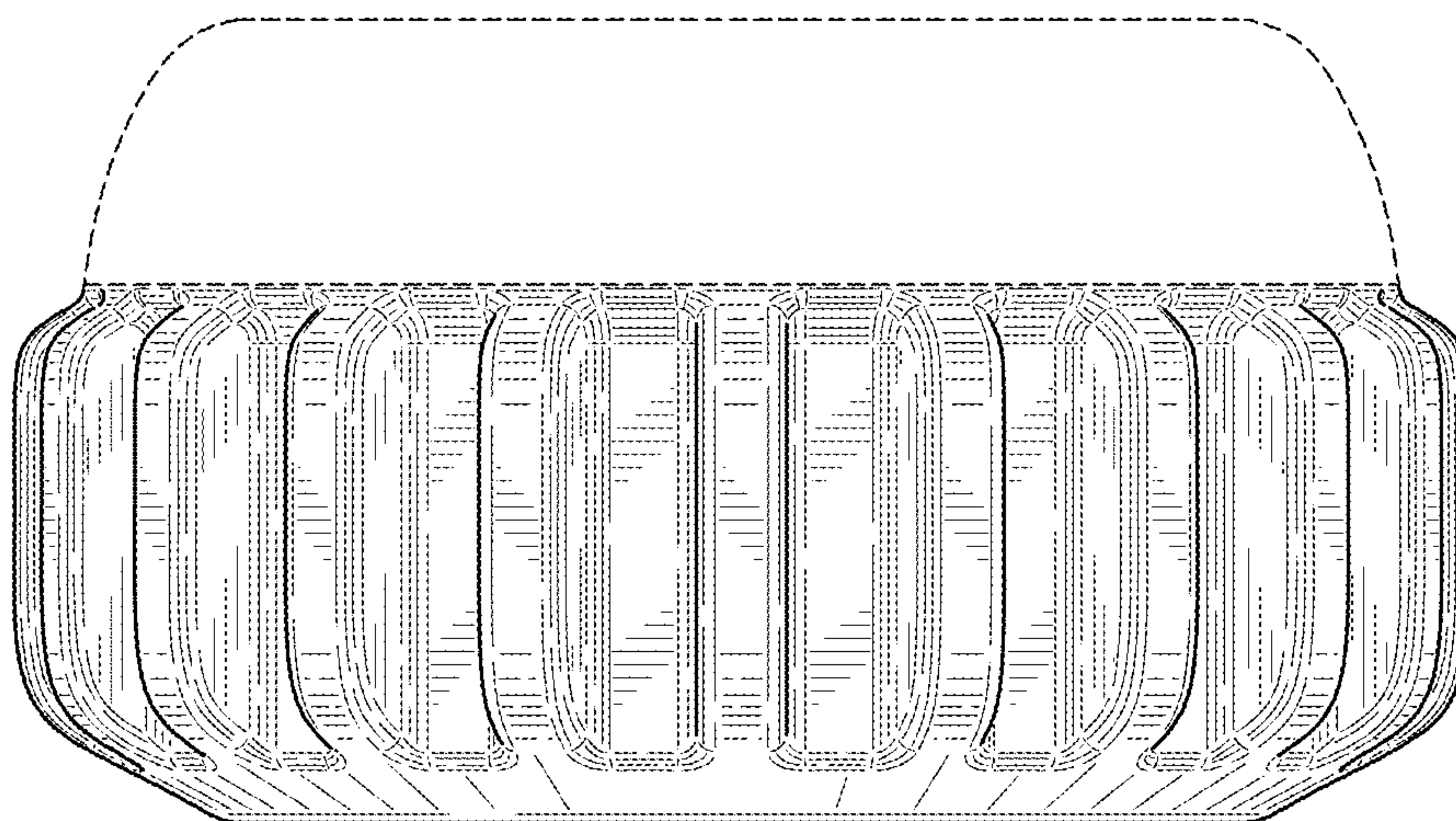


FIG. 3

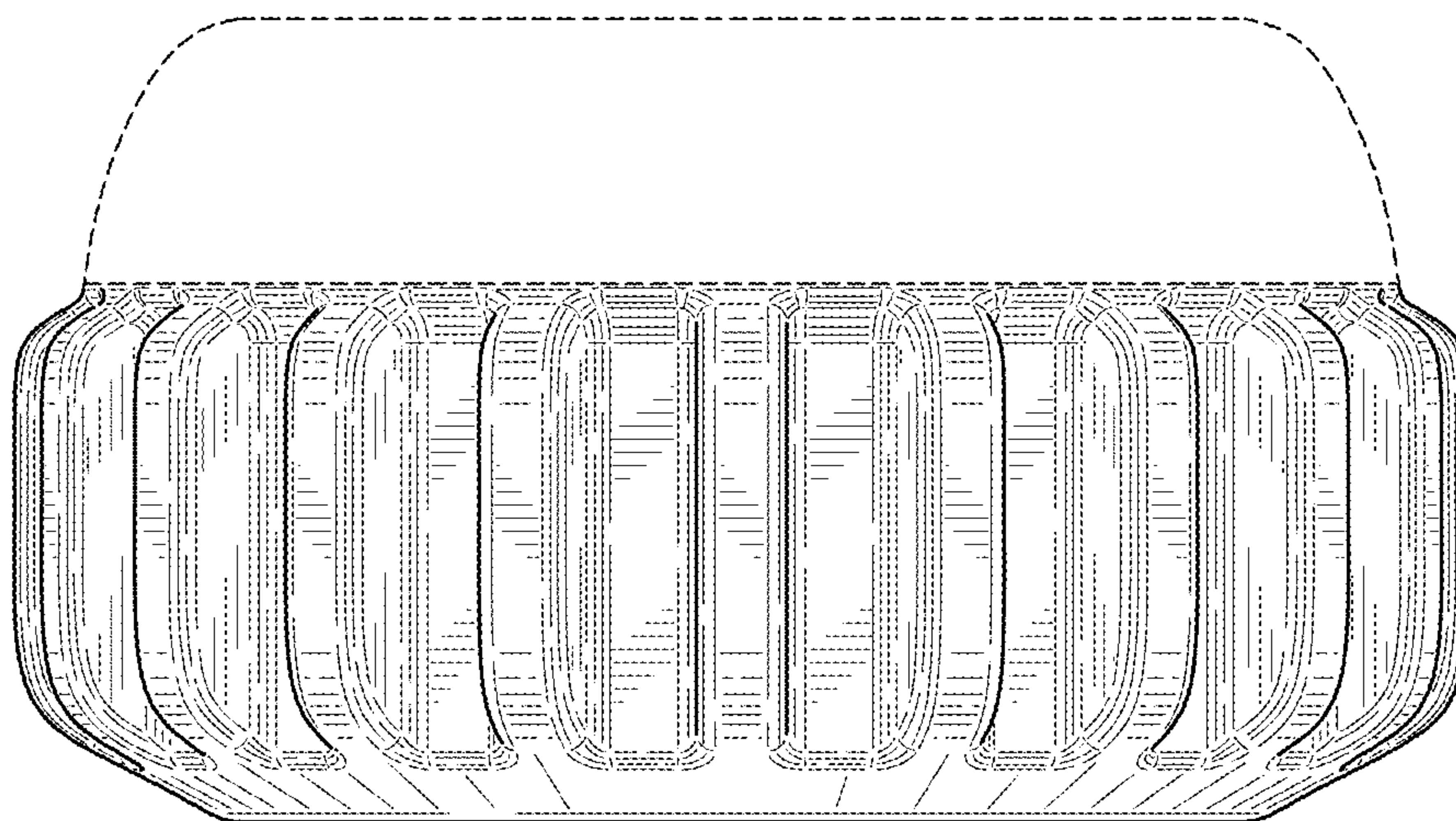


FIG. 4

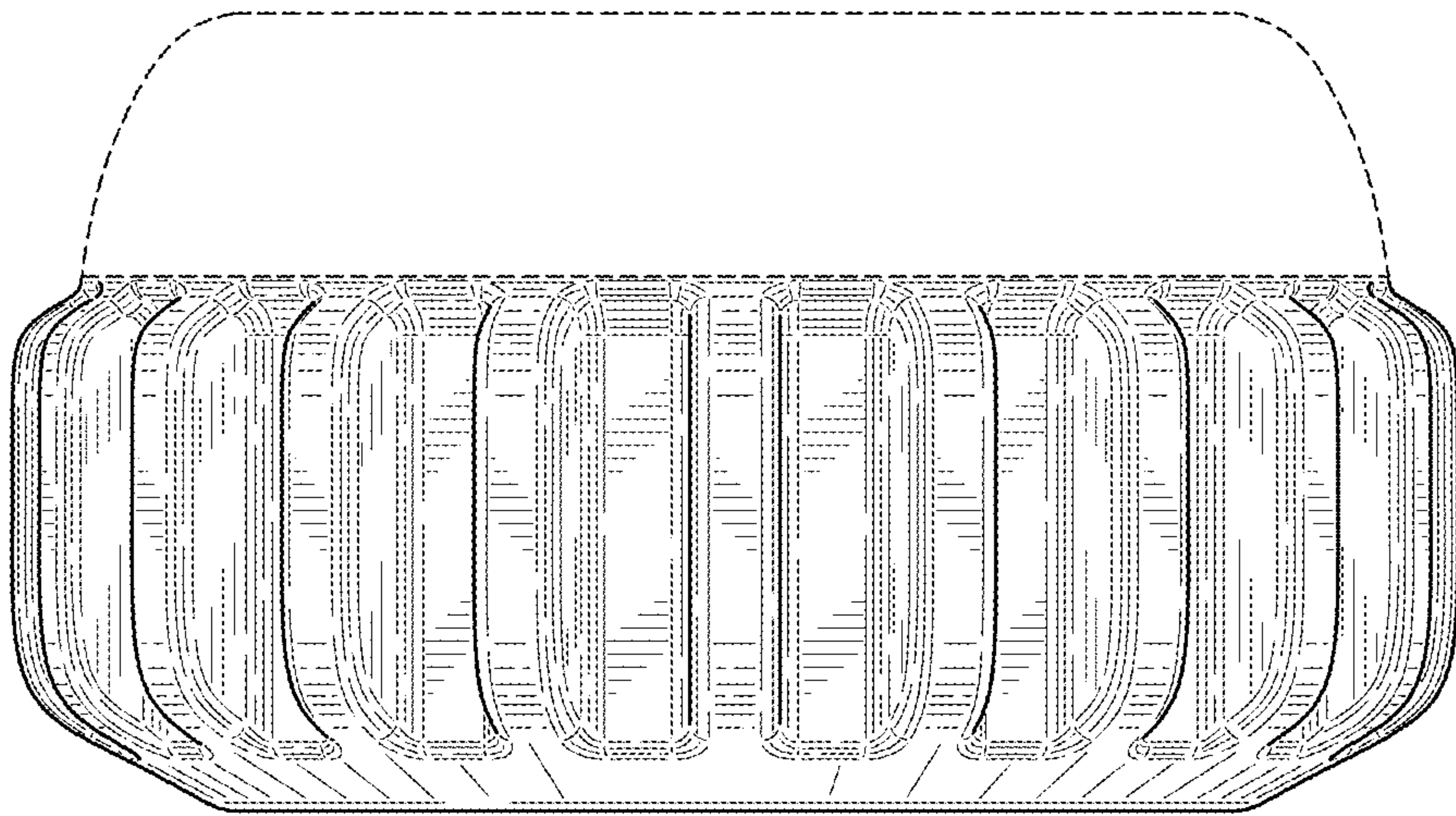


FIG. 5

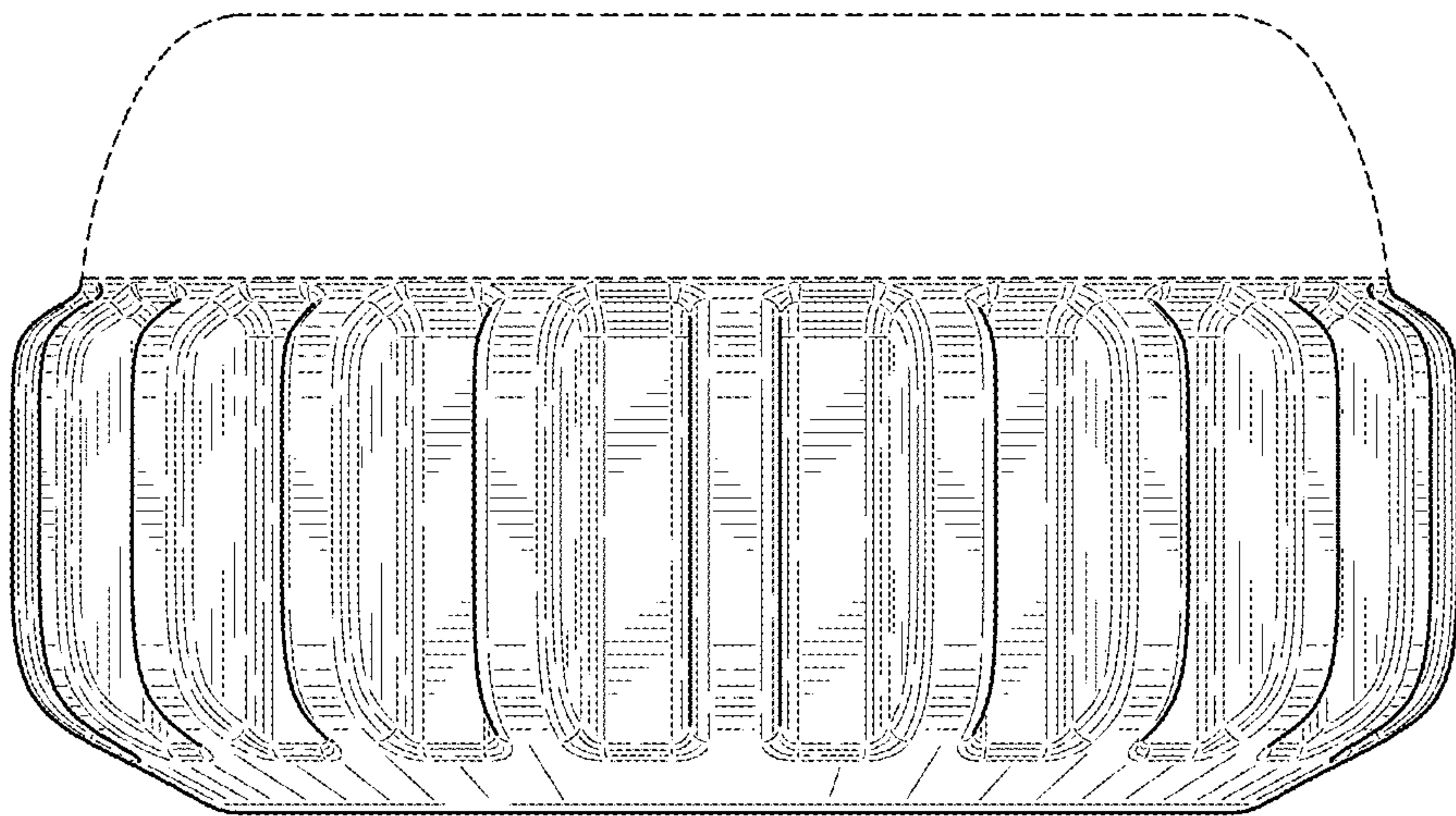


FIG. 6

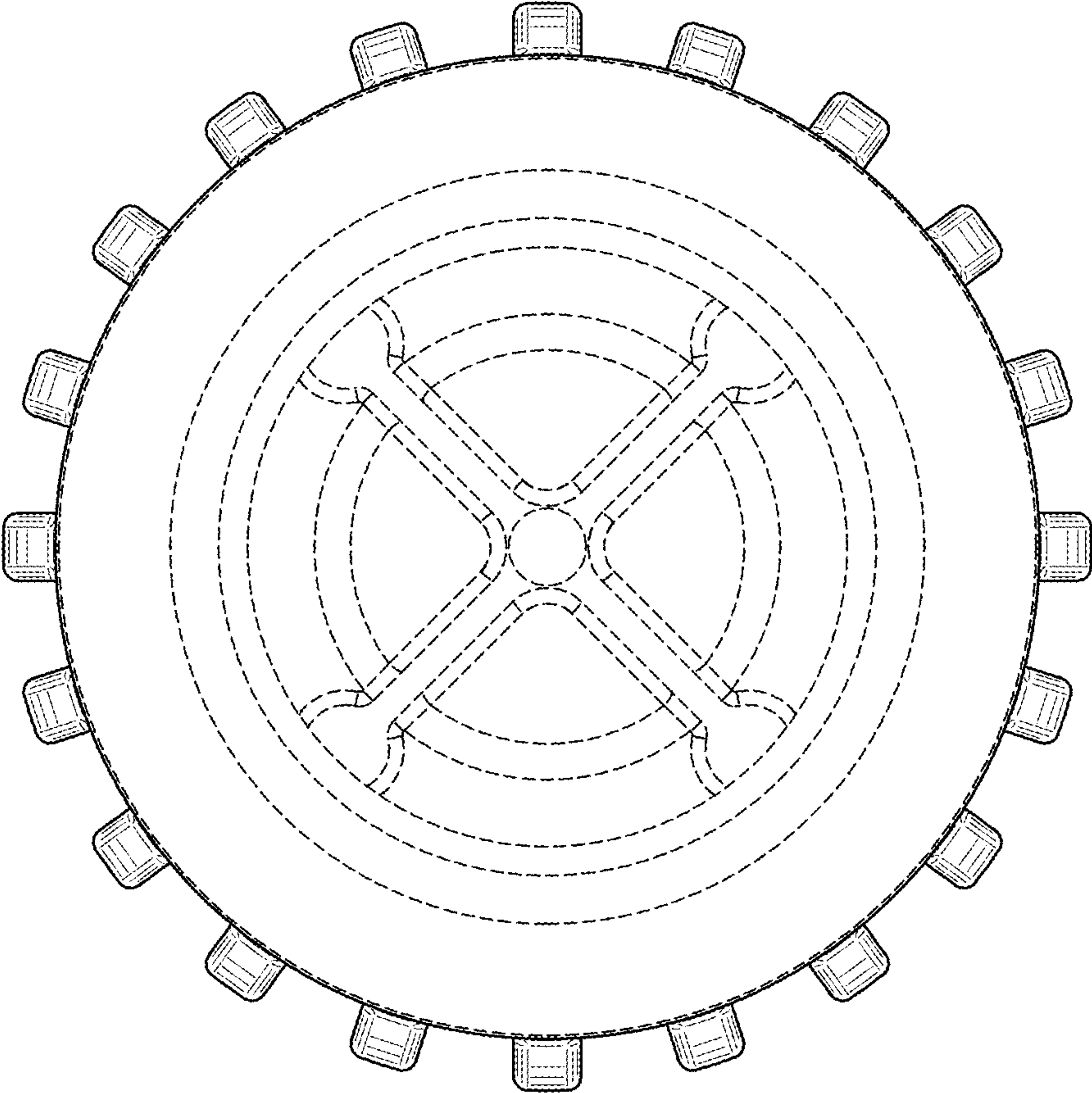


FIG. 7

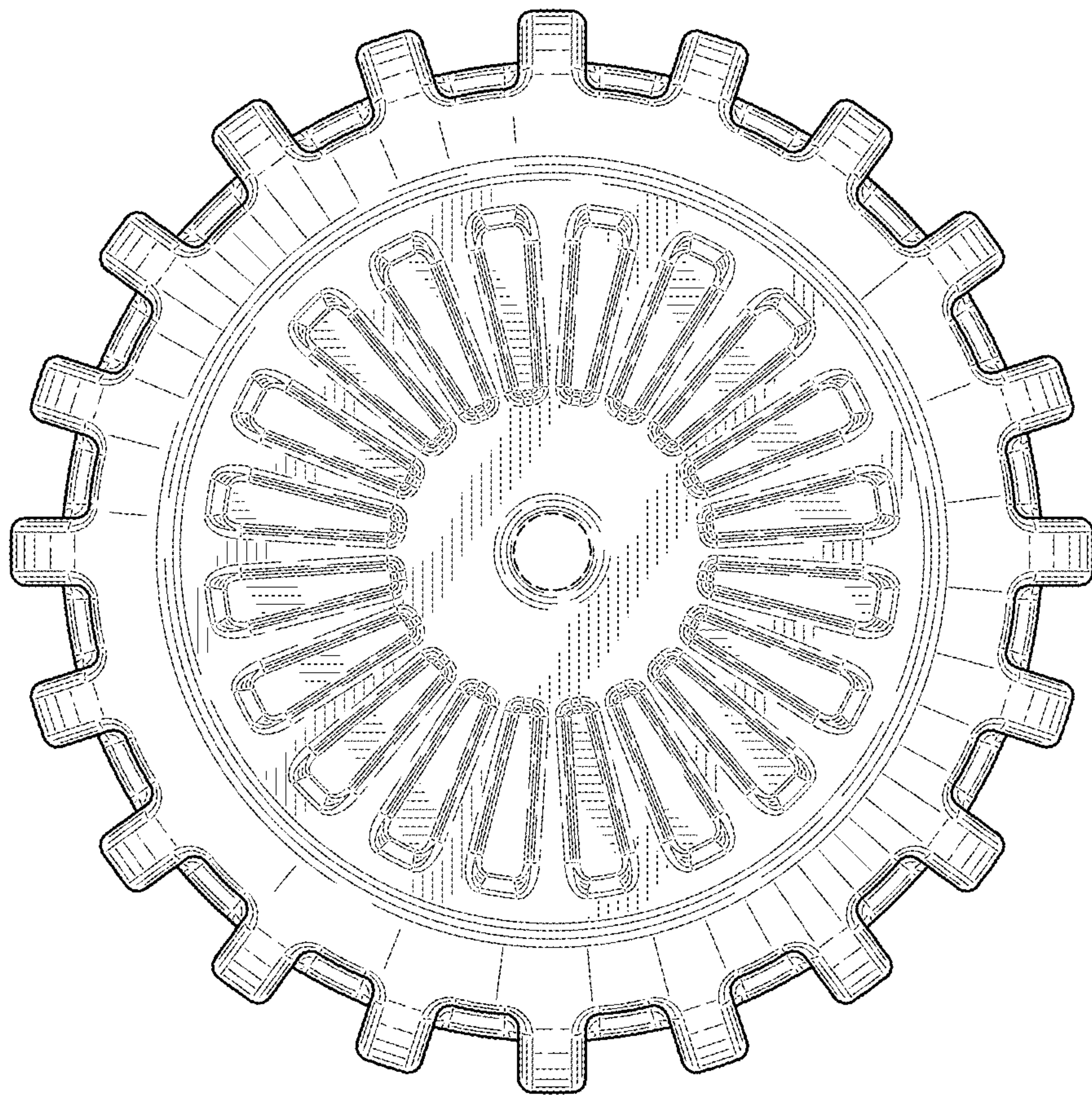


FIG. 8