



US00D899012S

(12) **United States Design Patent**
Zinn et al.

(10) **Patent No.:** **US D899,012 S**

(45) **Date of Patent:** **** Oct. 13, 2020**

- (54) **RECEIVER FOR A PET COLLAR**
- (71) Applicant: **Radio Systems Corporation,**
Knoxville, TN (US)
- (72) Inventors: **Kevin Zinn,** Knoxville, TN (US);
Robert A Nytko, Knoxville, TN (US);
Heather Williams, Knoxville, TN (US);
Kenneth R. Wacasey, Knoxville, TN
(US)
- (73) Assignee: **RADIO SYSTEMS CORPORATION,**
Knoxville, TN (US)
- (**) Term: **15 Years**
- (21) Appl. No.: **29/725,495**
- (22) Filed: **Feb. 25, 2020**

- D661,846 S * 6/2012 Miller D30/152
- D665,952 S * 8/2012 Guo D30/152
- D666,367 S * 8/2012 Miller D30/152
- D699,758 S * 2/2014 Lavin D14/496
- D706,500 S * 6/2014 Hu D30/152
- D788,999 S * 6/2017 Zinn D30/152
- D798,003 S * 9/2017 Dong D30/199
- D812,499 S * 3/2018 Kuh D10/70
- D819,280 S * 5/2018 Li D30/199

(Continued)

Primary Examiner — George D. Kirschbaum
Assistant Examiner — Joseph J Kukella
(74) *Attorney, Agent, or Firm* — Baker, Donelson,
Bearman, Caldwell & Berkowitz PC

(57) **CLAIM**

The ornamental design for a receiver for a pet collar, as shown and described.

Related U.S. Application Data

- (60) Division of application No. 29/596,339, filed on Mar. 7, 2017, now Pat. No. Des. 880,082, which is a continuation-in-part of application No. 29/557,723, filed on Mar. 11, 2016, now Pat. No. Des. 788,999.
- (51) **LOC (12) Cl.** **30-04**
- (52) **U.S. Cl.**
USPC **D30/152**
- (58) **Field of Classification Search**
USPC D10/106.1; D14/144, 147–148, 155, 159,
D14/188, 191–192; D22/120; D30/144,
D30/151, 152
CPC A01K 15/00; A01K 15/021; A01K 15/022;
A01K 15/023
See application file for complete search history.

DESCRIPTION

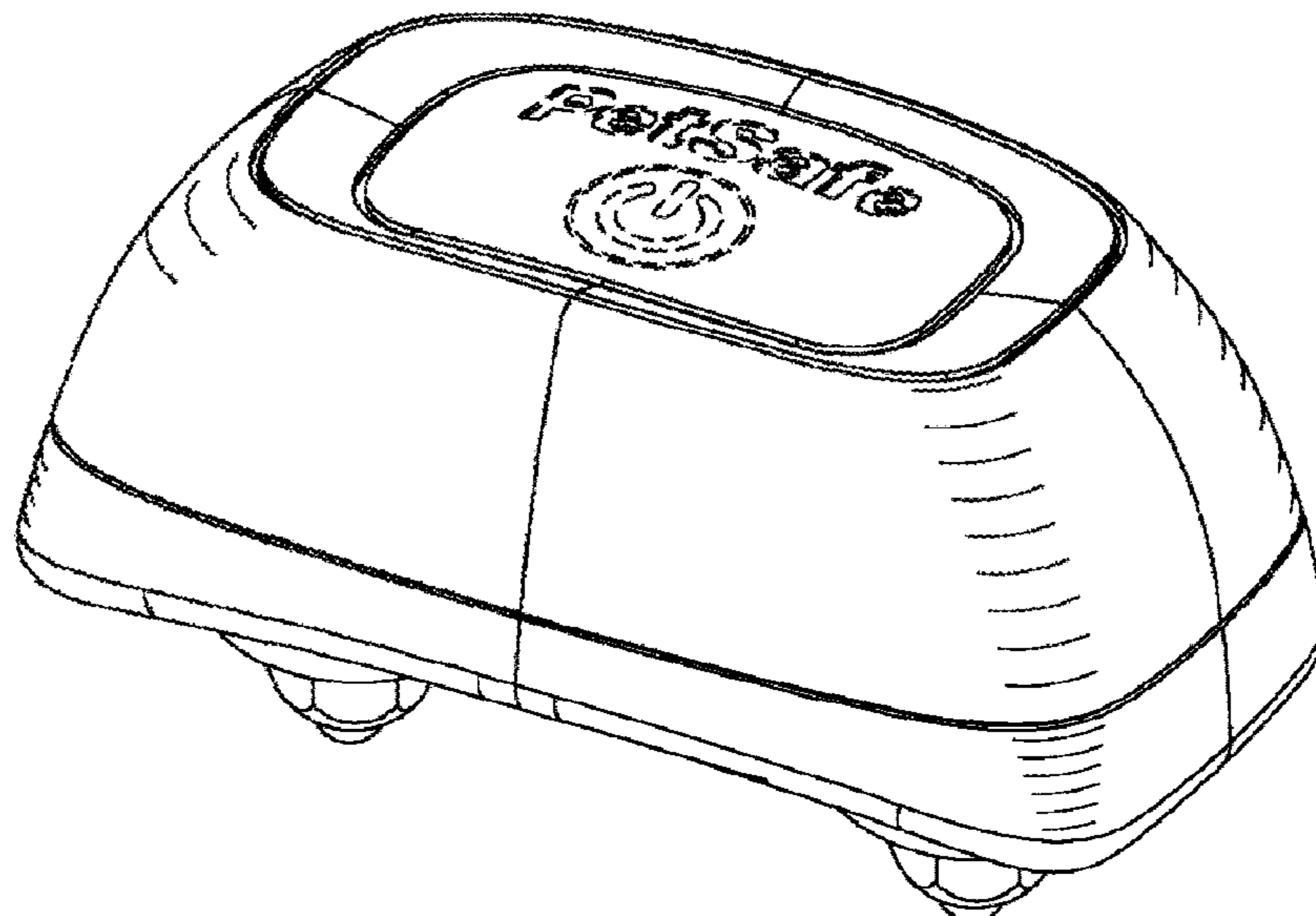
FIG. 1 is a first perspective view showing our new design for a receiver for a pet collar, taken from a right front angle. FIG. 2 is a second perspective view of the receiver for a pet collar of FIG. 1, but taken from a left front angle. FIG. 3 is a third perspective view of the receiver for a pet collar of FIG. 1, but taken from a top right angle. FIG. 4 is a top view thereof. FIG. 5 is a bottom view thereof. FIG. 6 is a front elevational view thereof. FIG. 7 is a back elevational view thereof. FIG. 8 is a left side elevational view thereof; and, FIG. 9 is a right side elevational view thereof. The structural features shown in broken lines have been shown for the purpose of illustrating portions of the receiver for a pet collar that form no part of the claimed design. The broken lines for the trademark “PetSafe” are included for the purpose of illustrating environment and form no part of the claimed design.

(56) **References Cited**

U.S. PATENT DOCUMENTS

- D330,173 S * 10/1992 Juliana D30/152
- D657,098 S * 4/2012 So D30/152

1 Claim, 3 Drawing Sheets



(56)

References Cited

U.S. PATENT DOCUMENTS

D822,922	S	*	7/2018	Wen	D30/199
D834,769	S	*	11/2018	Wen	D30/199
D836,858	S	*	12/2018	Zinn	D30/199
D846,817	S	*	4/2019	Li	D30/152
D850,732	S	*	6/2019	Dong	D30/152
D850,733	S	*	6/2019	Dong	D30/152
D851,339	S	*	6/2019	Solinsky	A01K 15/023
						D30/152
D858,904	S	*	9/2019	Zinn	D30/152
D861,259	S	*	9/2019	Dong	D30/152
D880,082	S	*	3/2020	Zinn	D30/152
D882,188	S	*	4/2020	Dong	D30/152
2018/0153138	A1	*	6/2018	Goetzl	A01K 15/023

* cited by examiner

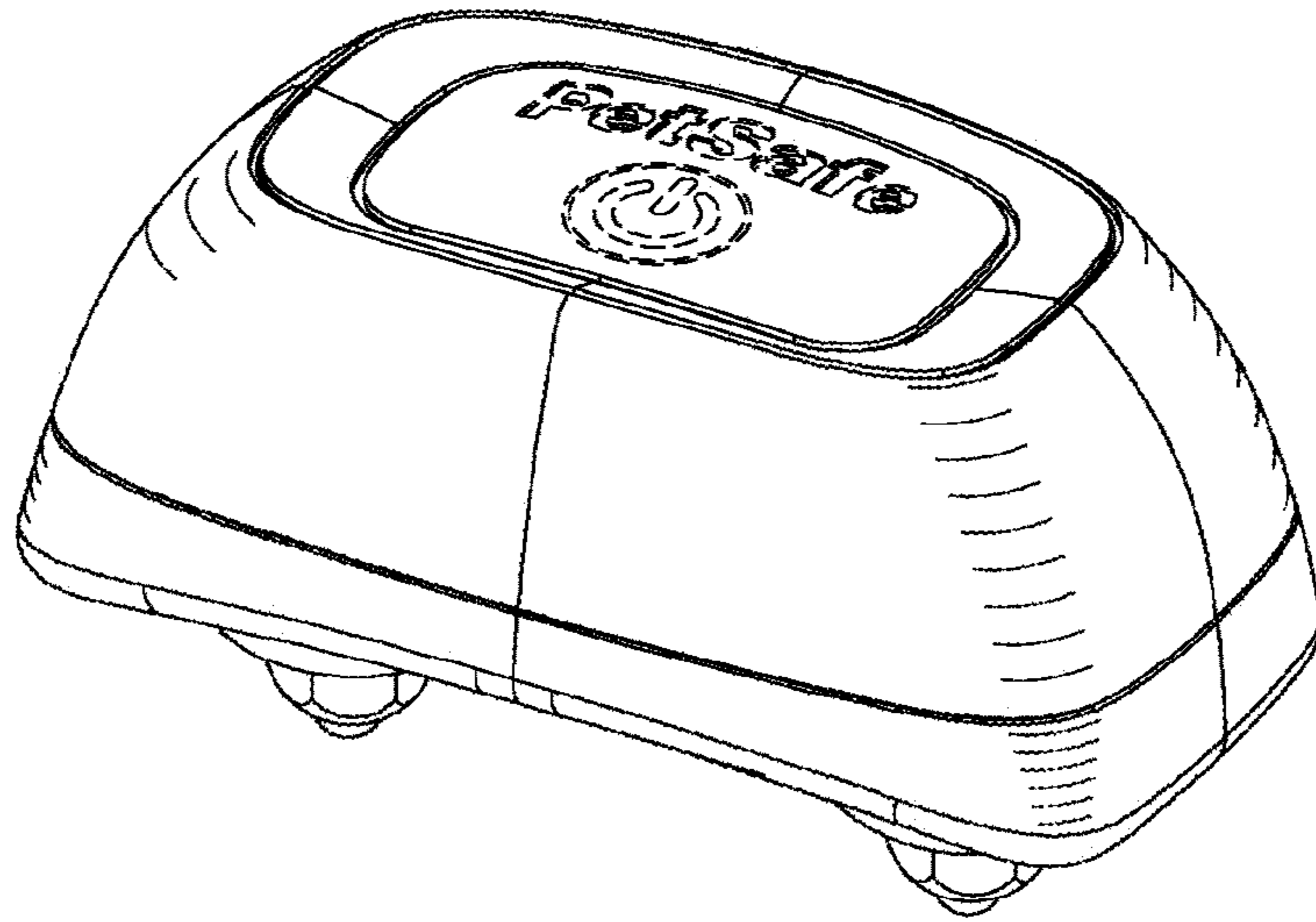


FIG. 1

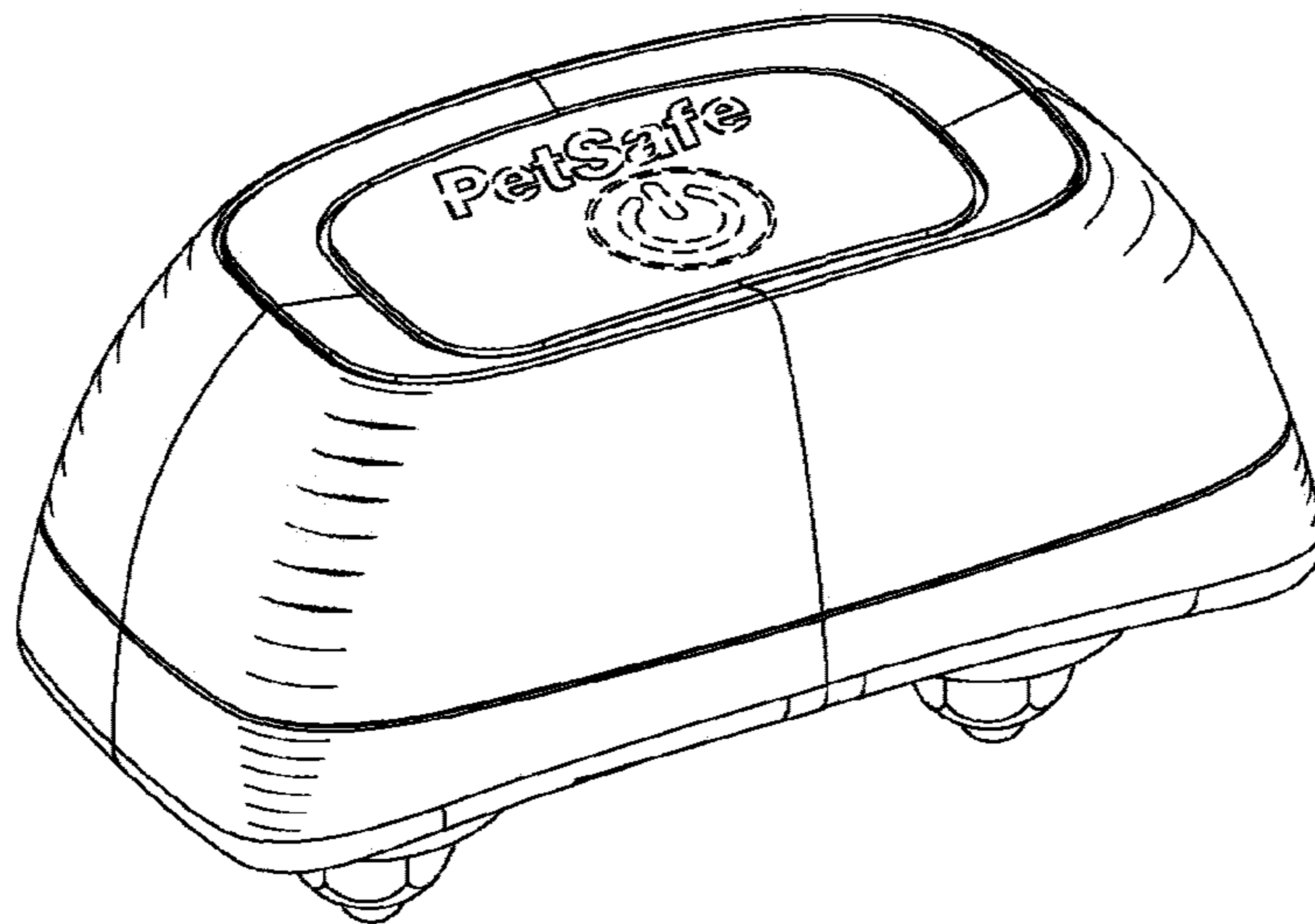


FIG. 2

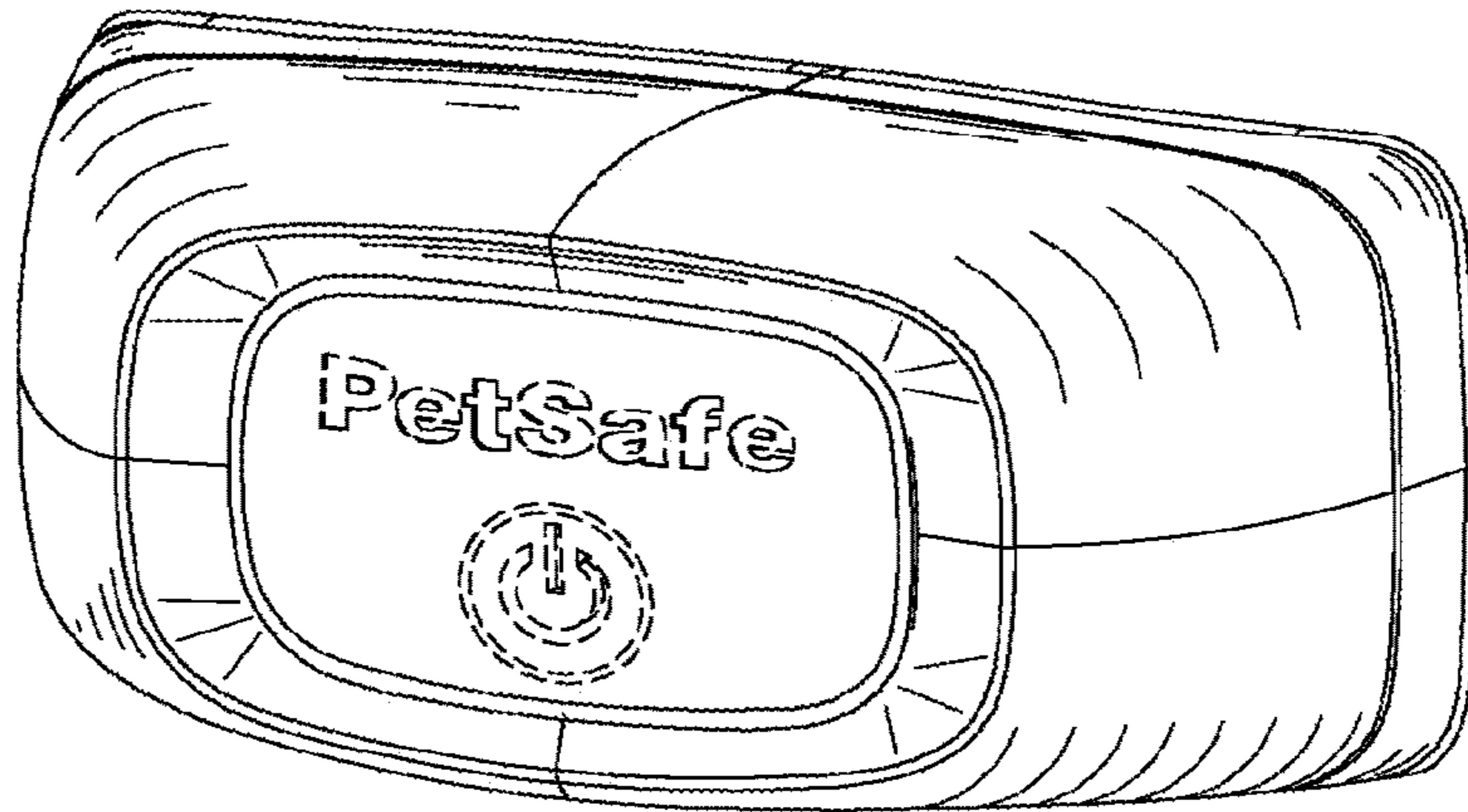


FIG. 3

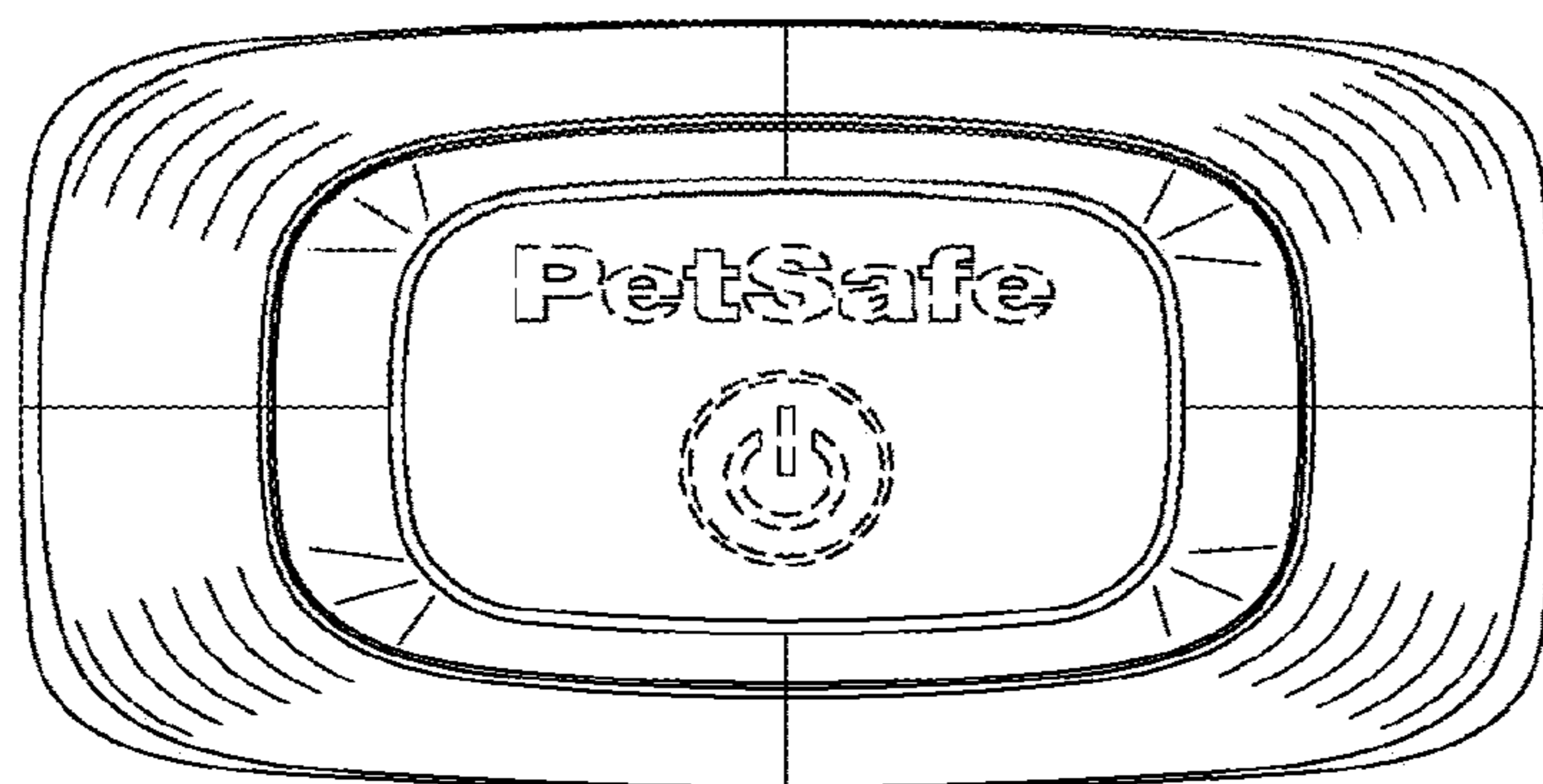


FIG. 4

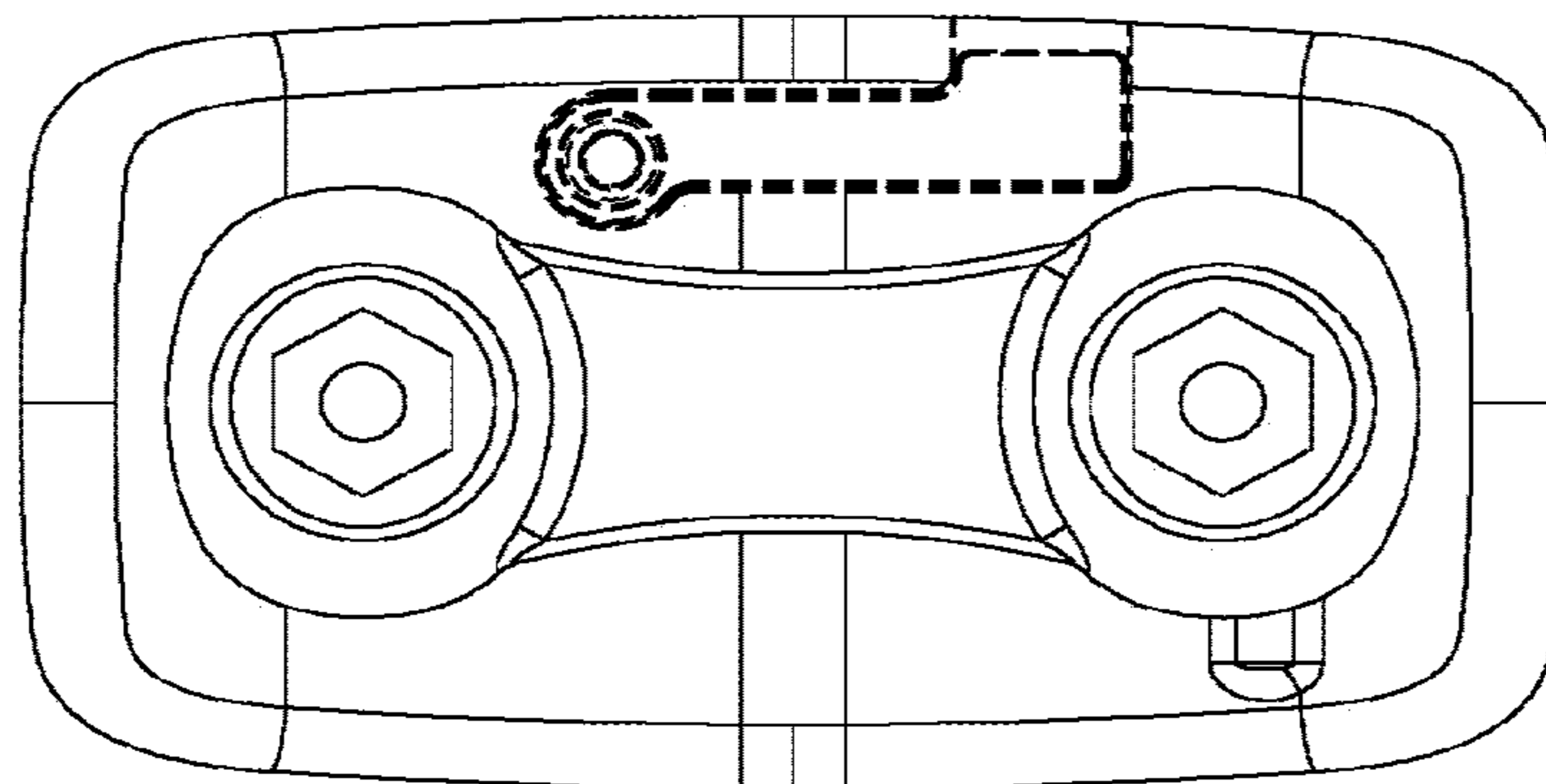


FIG. 5

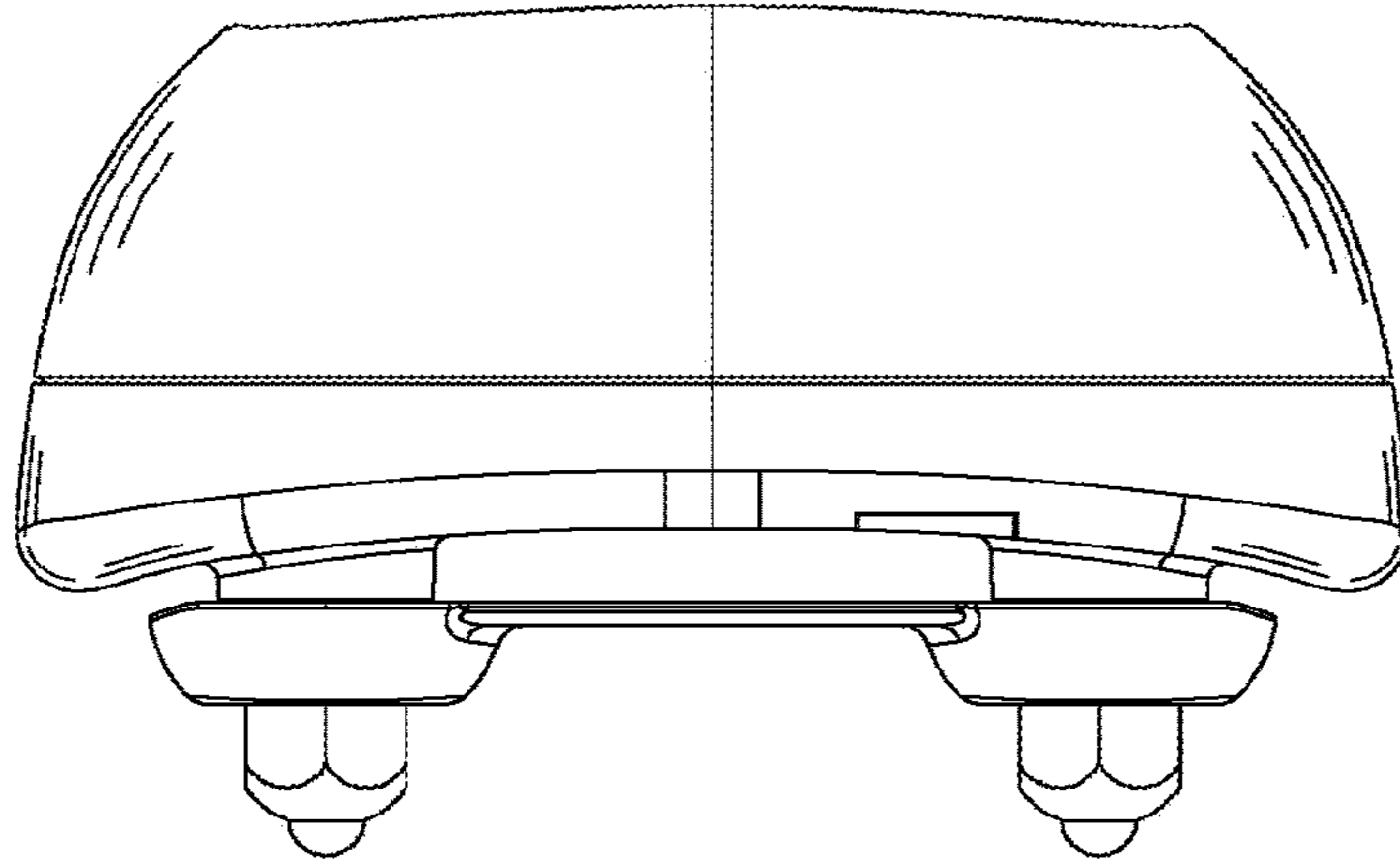


FIG. 6

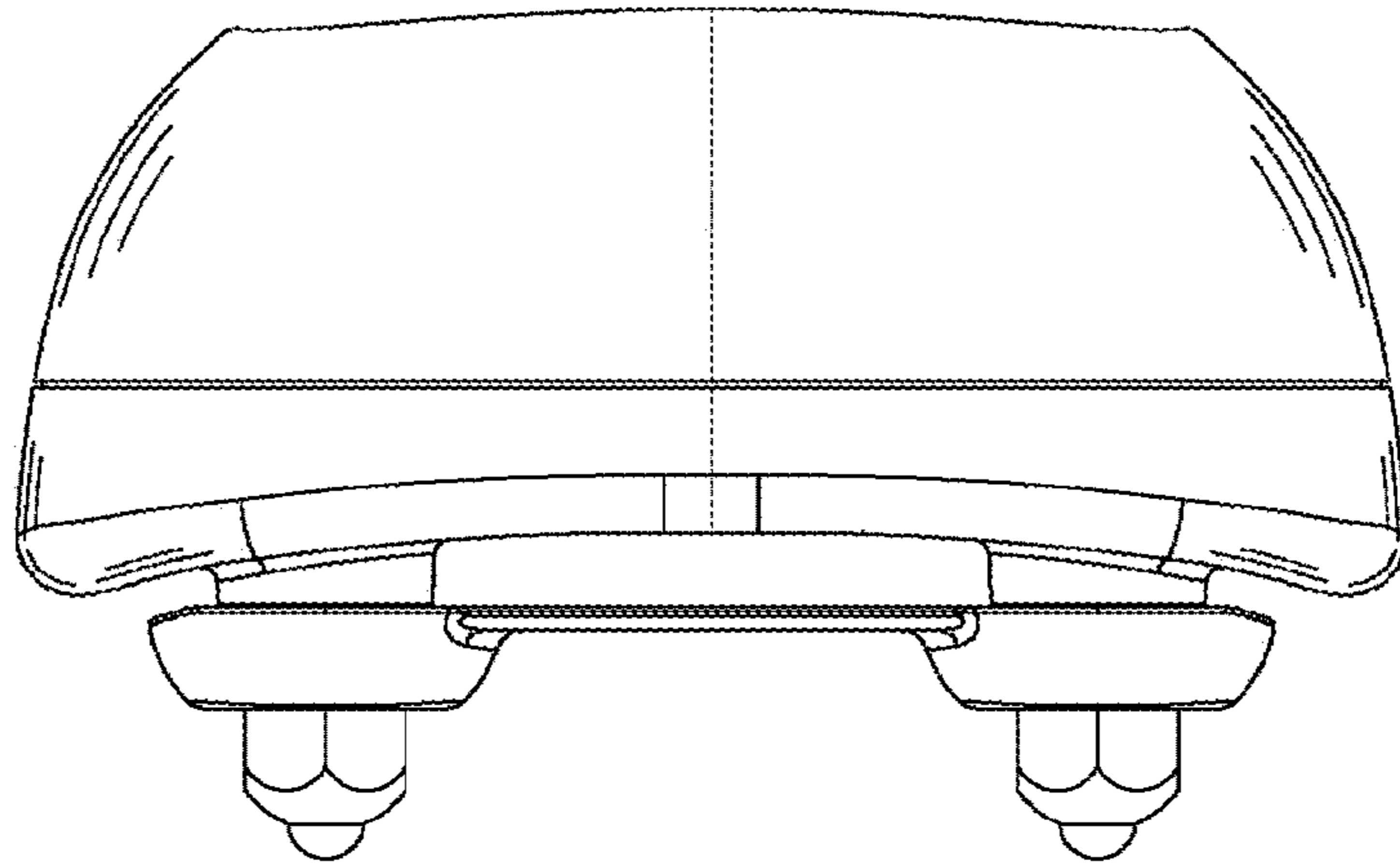


FIG. 7

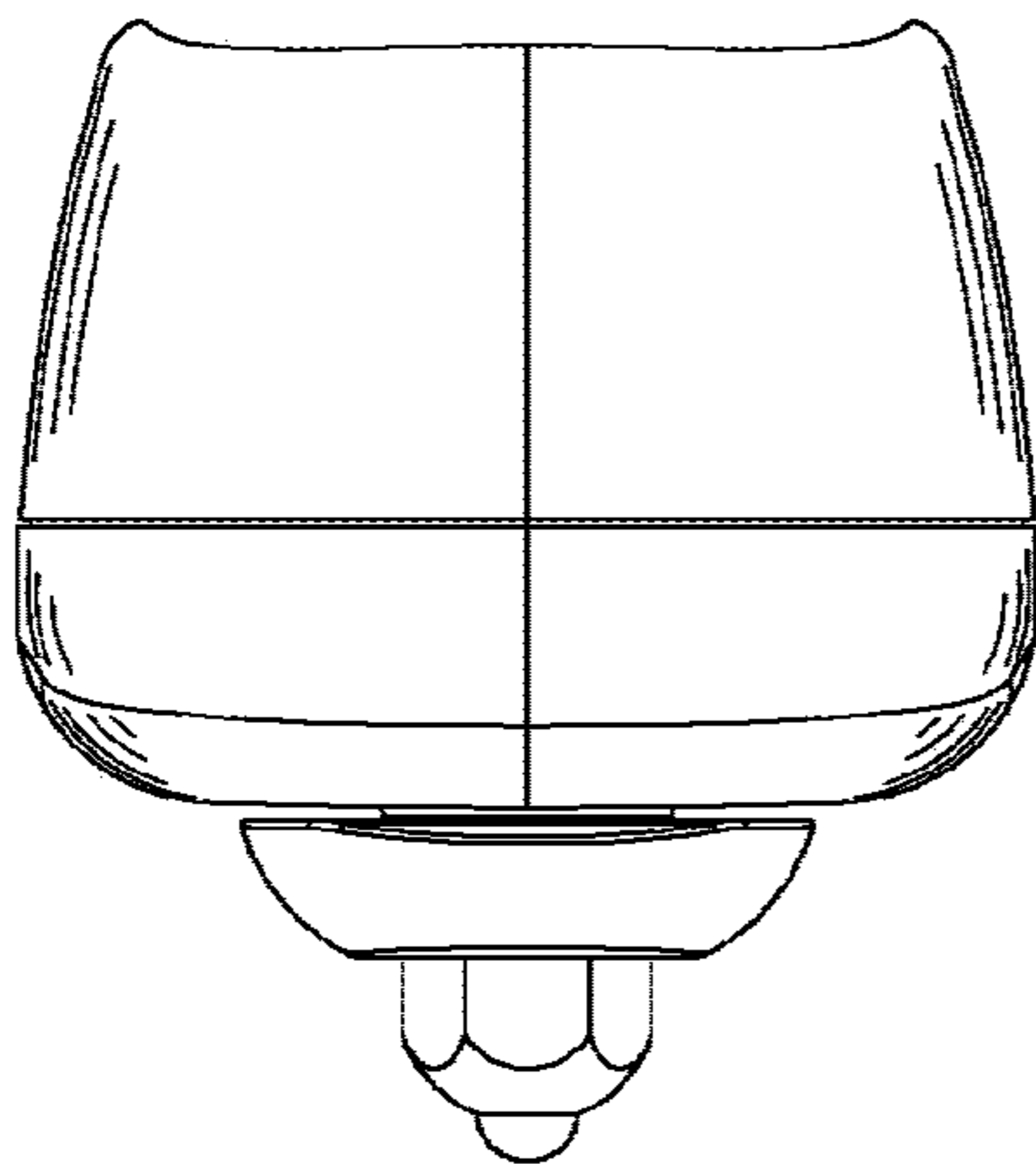


FIG. 8

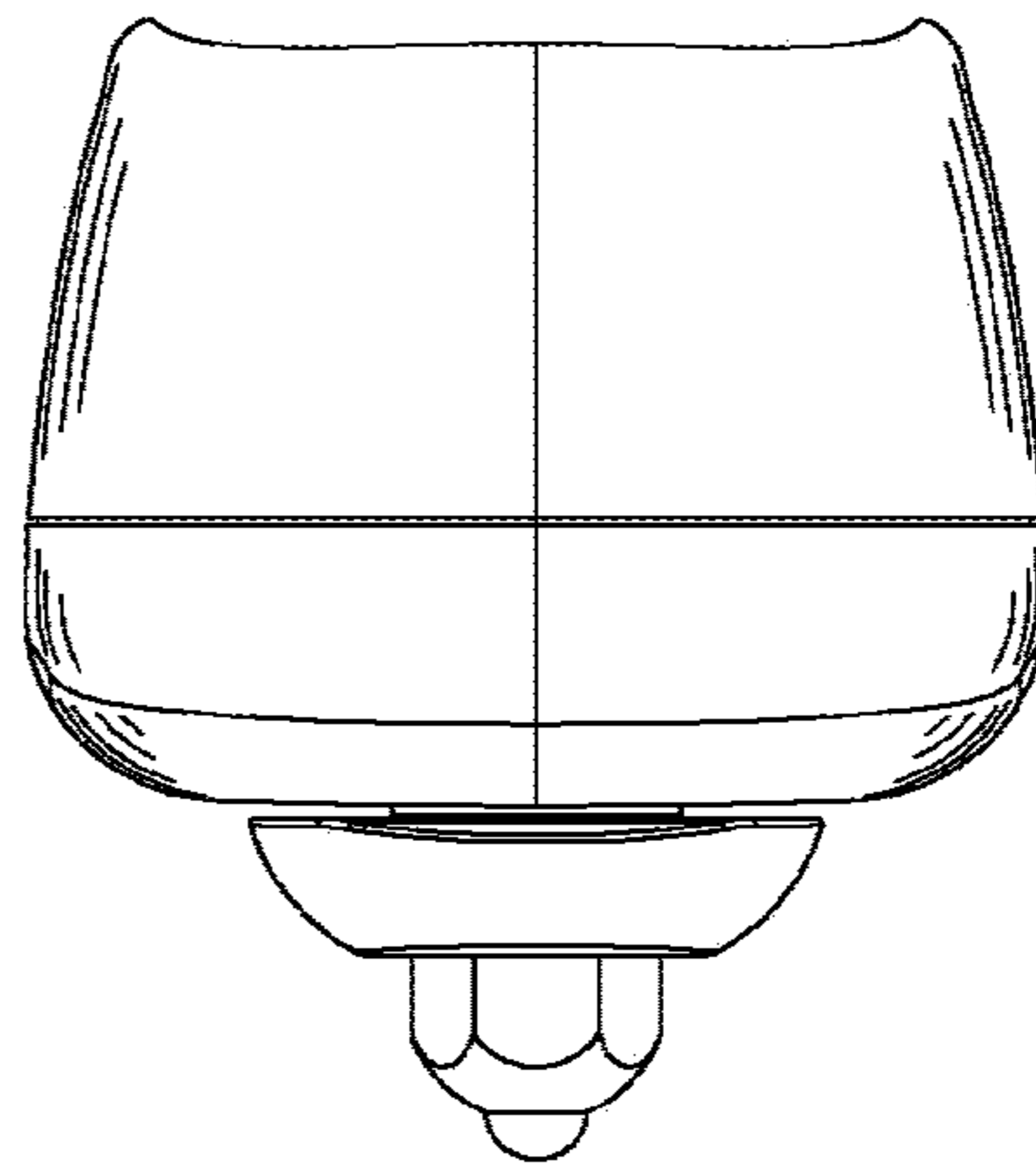


FIG. 9