



US00D899009S

(12) **United States Design Patent** (10) **Patent No.:** **US D899,009 S**  
**Xu** (45) **Date of Patent:** **\*\* Oct. 13, 2020**

(54) **DOG BED**

(71) Applicant: **Lixian Xu**, Hunan (CN)

(72) Inventor: **Lixian Xu**, Hunan (CN)

(\*\*) Term: **15 Years**

(21) Appl. No.: **29/711,603**

(22) Filed: **Nov. 1, 2019**

(51) **LOC (12) Cl.** ..... **30-01**

(52) **U.S. Cl.**  
USPC ..... **D30/118**

(58) **Field of Classification Search**  
USPC ..... D30/118, 117, 108; D6/390, 349, 596,  
D6/601, 604, 605, 583, 381; D28/8.1  
CPC ..... A01K 1/0353; A01K 1/035; A01K 1/034;  
A01K 1/033; A01K 1/03  
See application file for complete search history.

(56) **References Cited**

**U.S. PATENT DOCUMENTS**

|                |         |             |                     |
|----------------|---------|-------------|---------------------|
| D441,146 S     | 4/2001  | Passmore    |                     |
| D542,478 S *   | 5/2007  | Andriola    | D30/118             |
| D571,055 S *   | 6/2008  | Song        | D30/118             |
| D661,844 S *   | 6/2012  | Song        | D30/118             |
| D664,303 S *   | 7/2012  | Chauncey    | D30/118             |
| 8,316,482 B1 * | 11/2012 | Martin, III | A47C 29/00<br>5/655 |
| D679,870 S *   | 4/2013  | Williams    | D30/118             |
| D703,877 S *   | 4/2014  | Popkin      | D30/118             |
| D785,251 S *   | 4/2017  | Jeffers     | D30/118             |

|                   |         |             |                         |
|-------------------|---------|-------------|-------------------------|
| D818,652 S *      | 5/2018  | Song        | D30/118                 |
| D822,911 S *      | 7/2018  | Menayan     | D30/118                 |
| 2012/0247393 A1 * | 10/2012 | Snyder      | A01K 1/0353<br>119/28.5 |
| 2014/0230735 A1 * | 8/2014  | Coulter     | A01K 1/0353<br>119/28.5 |
| 2016/0106061 A1 * | 4/2016  | Nelson      | A01K 1/0353<br>119/28.5 |
| 2019/0313600 A1 * | 10/2019 | Komatsubara | A01K 1/0353             |

**FOREIGN PATENT DOCUMENTS**

JP 2017131204 A \* 8/2017 ..... A01K 1/0353

\* cited by examiner

*Primary Examiner* — Jennifer L Rempfer

(74) *Attorney, Agent, or Firm* — ZANIP

(57) **CLAIM**

The ornamental design for a dog bed, as shown and described.

**DESCRIPTION**

FIG. 1 is a front and top perspective view of a dog bed, showing my new design;

FIG. 2 is a rear and bottom perspective view thereof;

FIG. 3 is a front elevational view thereof;

FIG. 4 is a rear elevational view thereof;

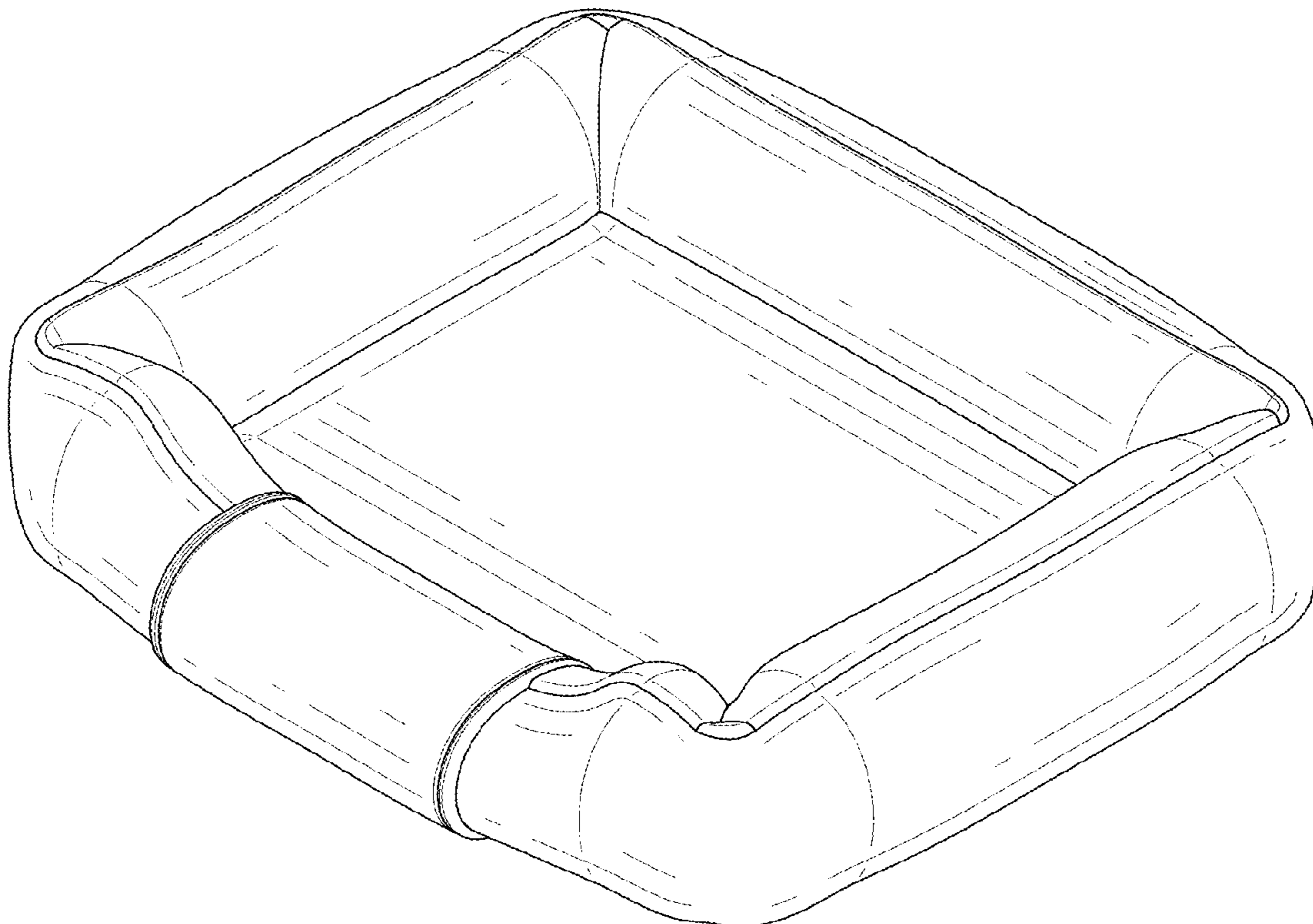
FIG. 5 is a left side elevational view thereof;

FIG. 6 is a right side elevational view thereof;

FIG. 7 is a top plan view thereof; and,

FIG. 8 is a bottom plan view thereof.

**1 Claim, 8 Drawing Sheets**



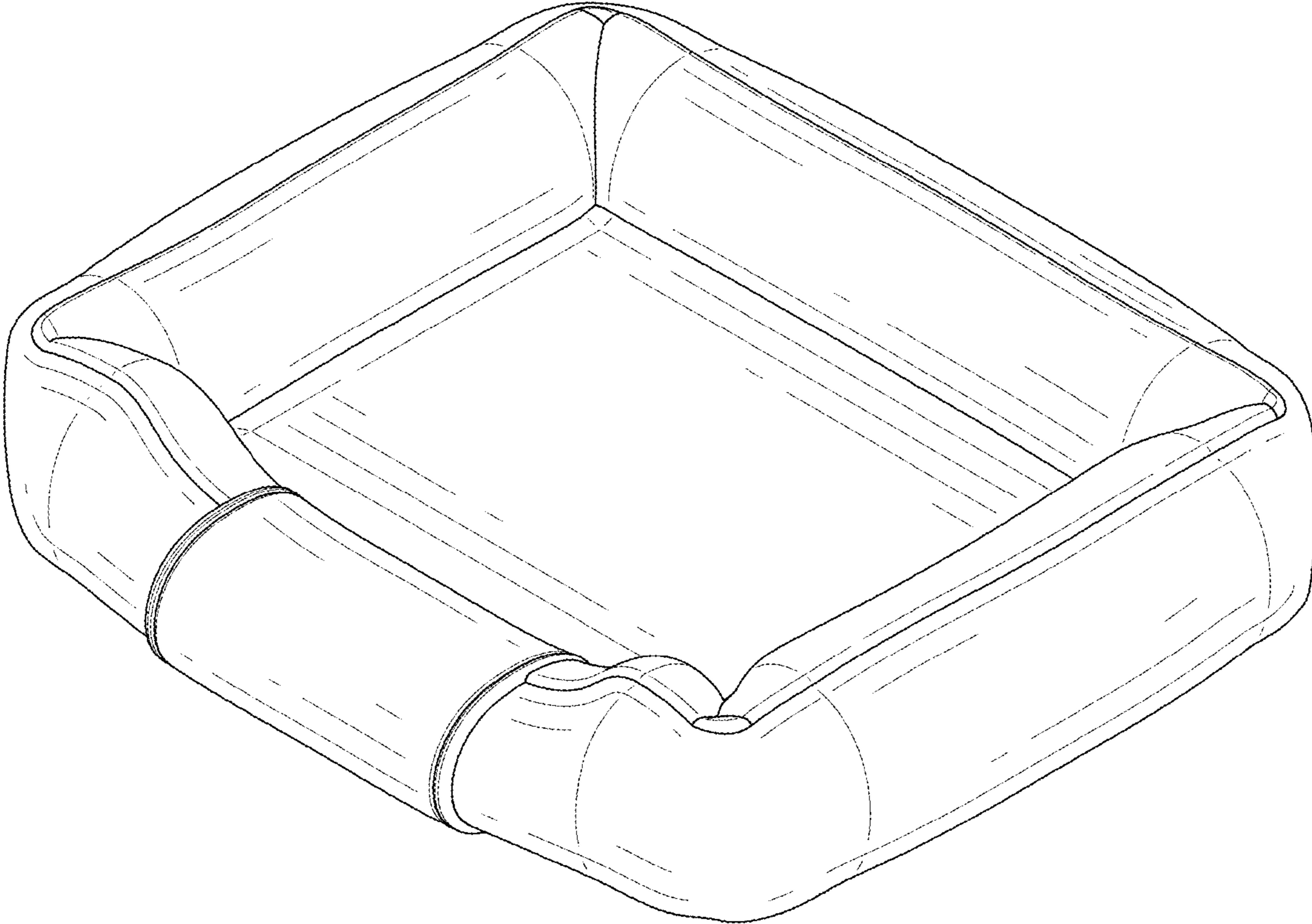


FIG. 1

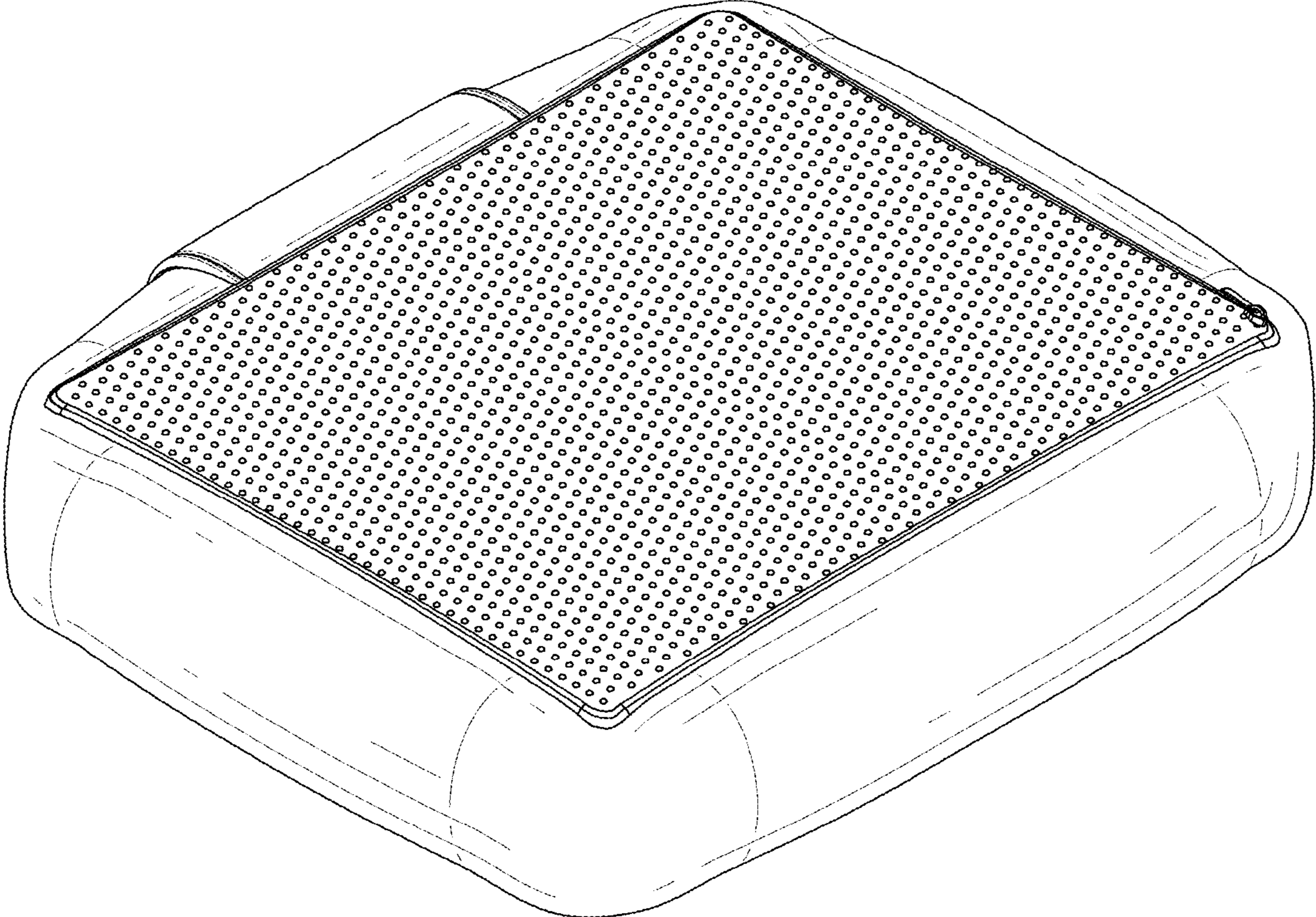


FIG. 2

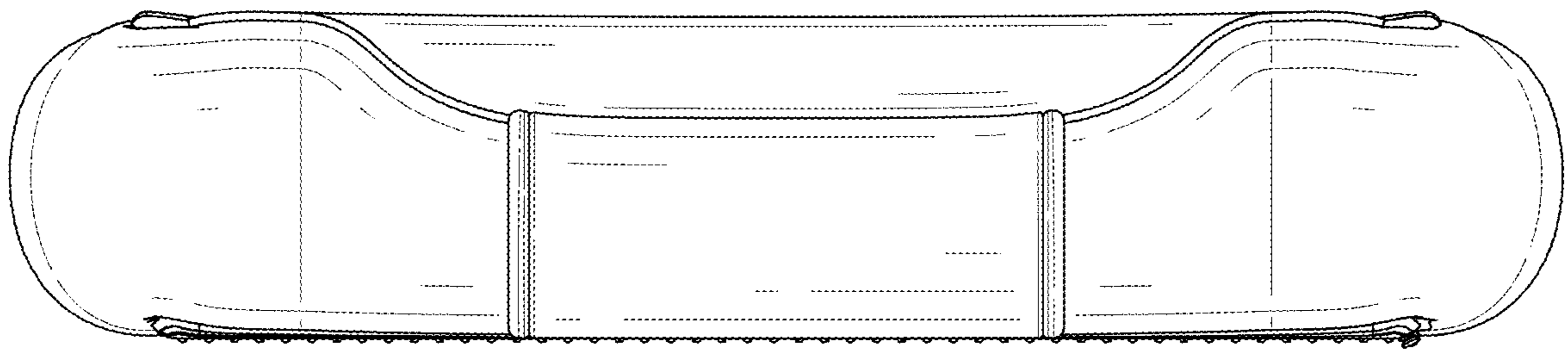


FIG. 3

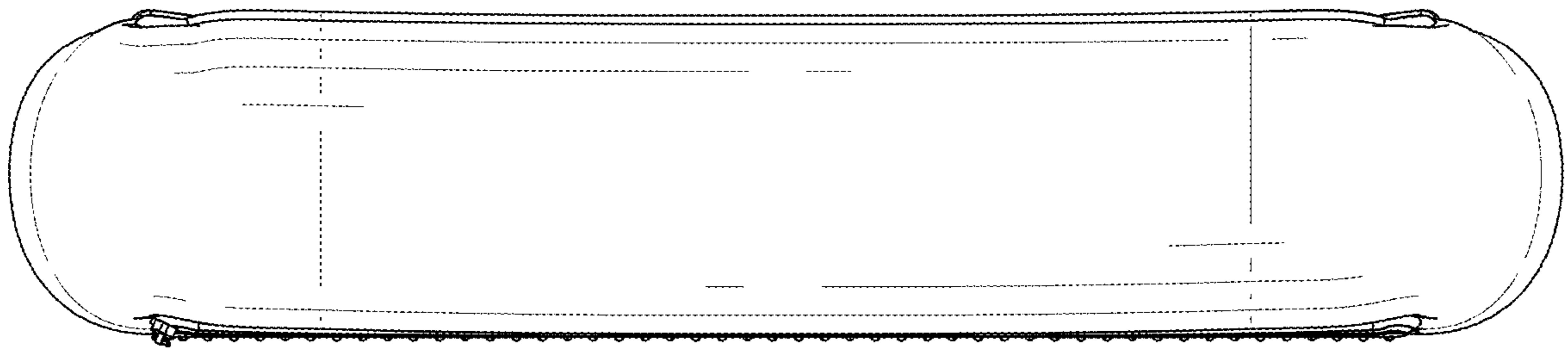


FIG. 4

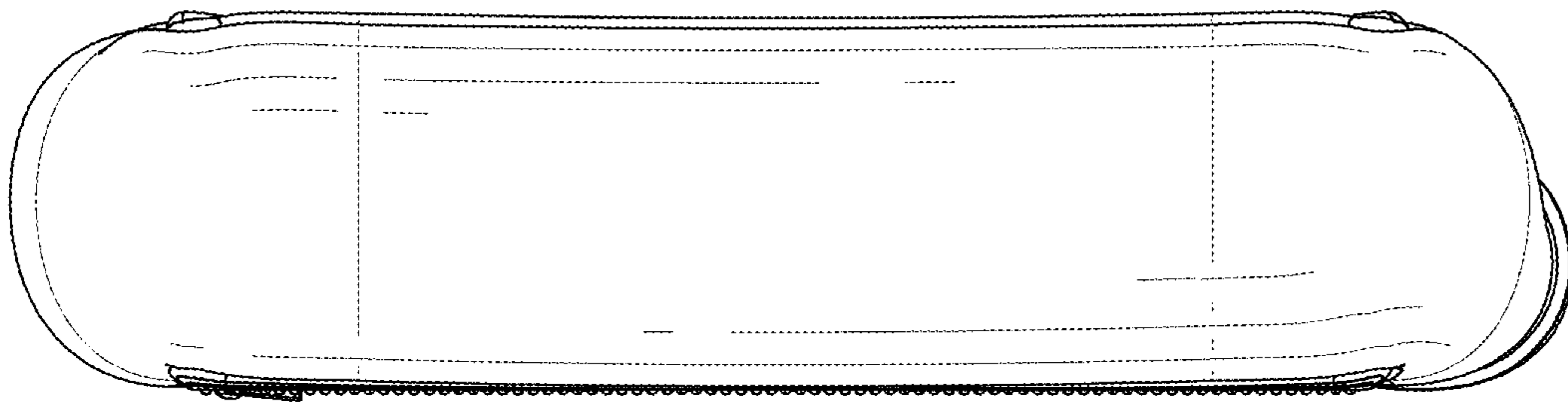


FIG. 5

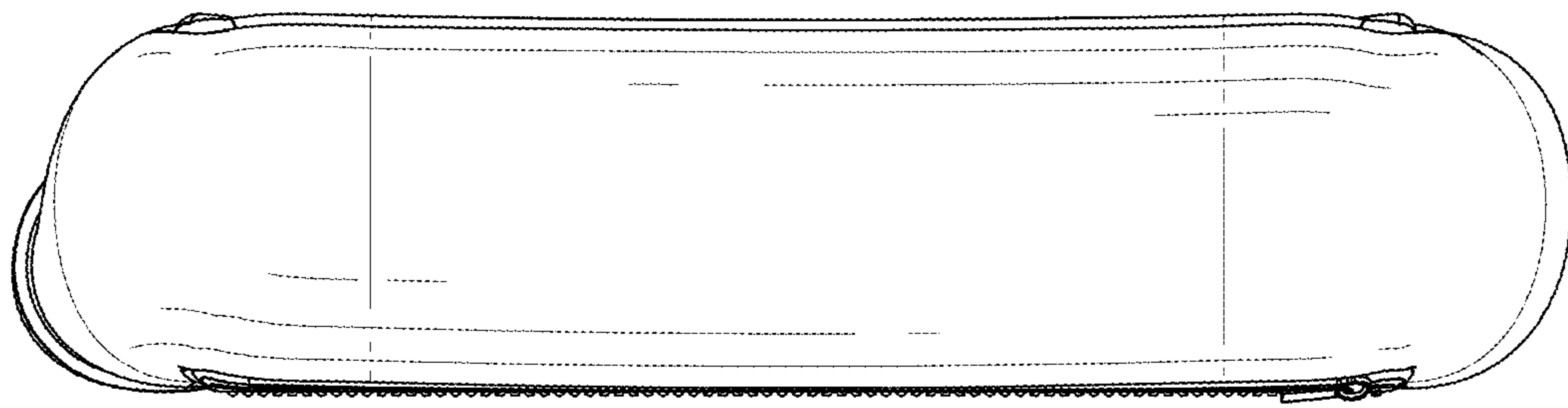


FIG. 6

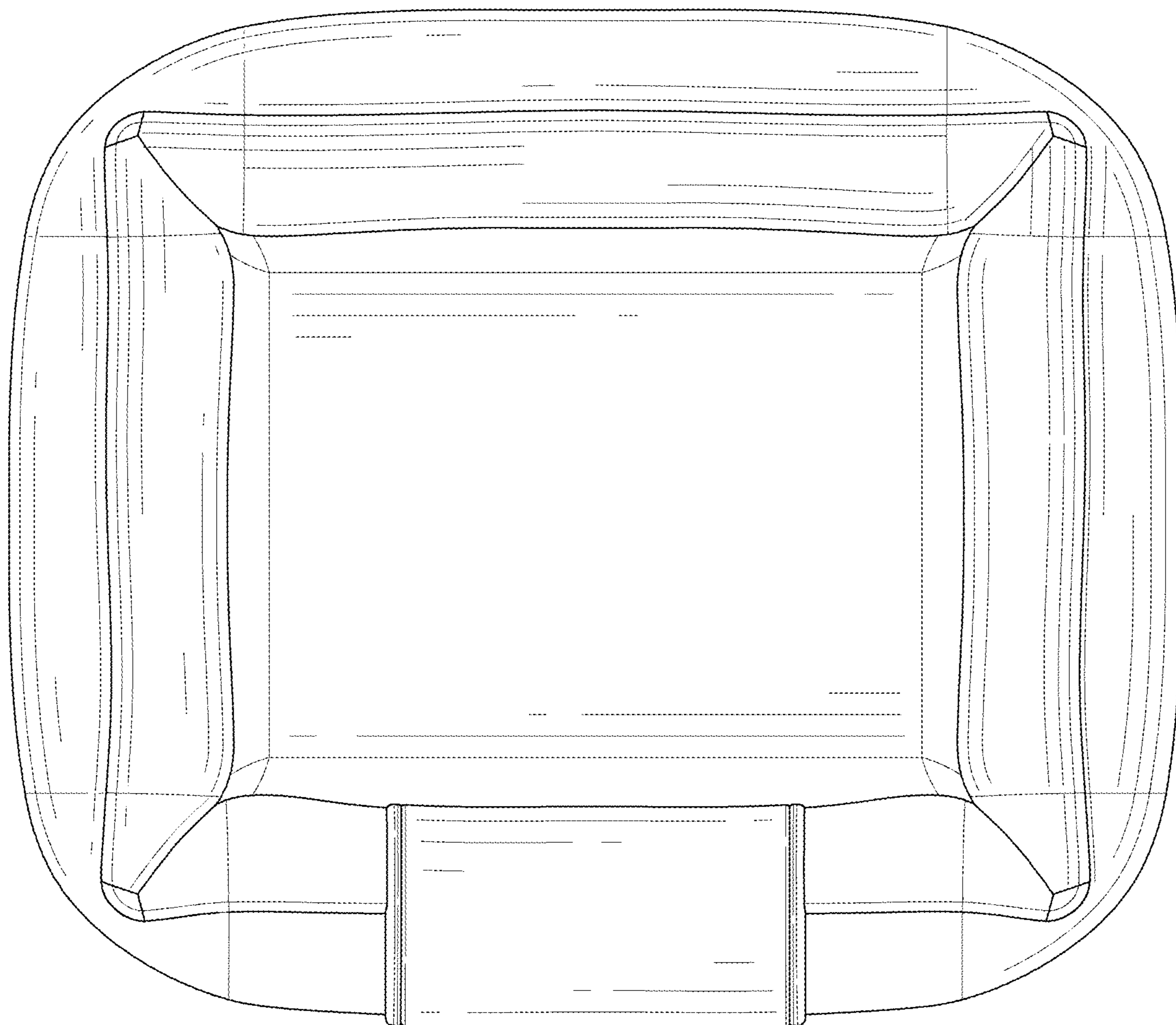


FIG. 7



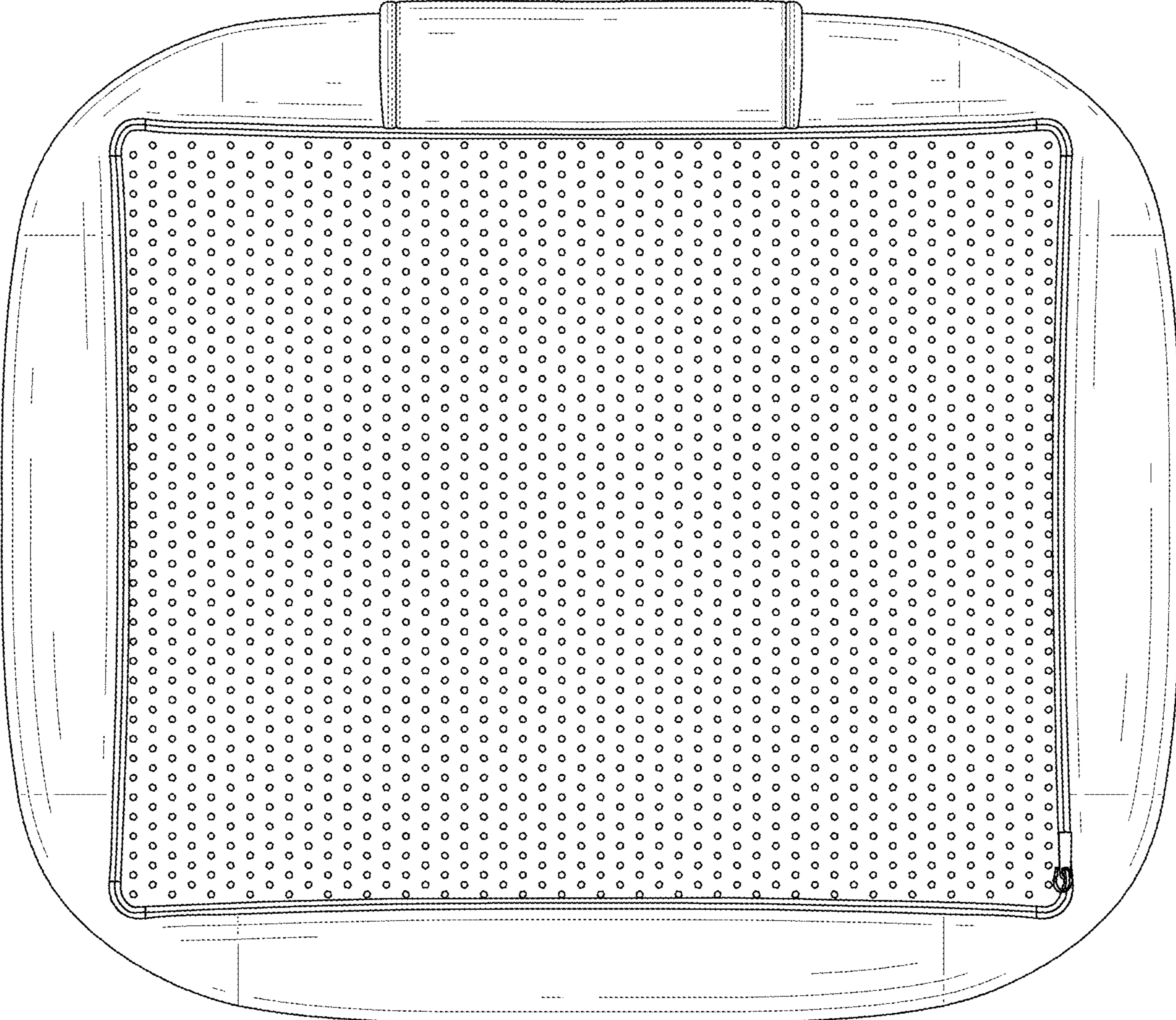


FIG. 8