



US00D898999S

(12) **United States Design Patent**
Friedman et al.

(10) **Patent No.:** **US D898,999 S**
(45) **Date of Patent:** **** Oct. 13, 2020**

- (54) **HARDHAT HELMET**
- (71) Applicant: **Guardhat, Inc.**, Southfield, MI (US)
- (72) Inventors: **Steven Friedman**, Concord, CA (US);
Mikhail Zhavoronkov, Northville, MI (US)
- (73) Assignee: **Guardhat, Inc.**, Detroit, MI (US)
- (**) Term: **15 Years**
- (21) Appl. No.: **29/656,358**
- (22) Filed: **Jul. 12, 2018**
- (51) **LOC (12) Cl.** **02-03**
- (52) **U.S. Cl.**
USPC **D29/102**
- (58) **Field of Classification Search**
USPC D29/102–107, 122
CPC A42B 3/00; A42B 3/06; A42B 3/0433;
A42B 3/044; A42B 3/0466; A42B 3/20;
A42B 3/22; A42B 3/286; A42B 3/185;
A42B 3/28; A42B 3/283; A42B 3/0453;
A42B 3/0493; A42B 3/062; A42B 3/064;
A42B 3/125; A42B 3/04; A42B 3/0406;
A42B 3/069; A42B 3/08; A42B 3/085;
A42B 3/145; A63B 71/10
See application file for complete search history.

(56) **References Cited**

U.S. PATENT DOCUMENTS

- D475,161 S * 5/2003 Mundy D29/103
- 6,609,254 B2 * 8/2003 Bielefeld A42B 3/14
2/416
- D745,219 S * 12/2015 Carter D29/102
- D749,269 S * 2/2016 Tutor D29/102
- D756,038 S * 5/2016 Yang D29/102
- D756,568 S * 5/2016 Scanlon D29/102
- D758,022 S * 5/2016 Slater D29/102
- D771,321 S * 11/2016 Sanchez D29/104
- D779,127 S * 2/2017 Sanchez D29/104

- D782,116 S * 3/2017 Sanchez D29/104
 - D800,390 S * 10/2017 Xiong D29/102
 - 2012/0167282 A1 * 7/2012 Fleming A42B 3/285
2/410
 - 2014/0208487 A1 * 7/2014 Orientale A42B 3/06
2/422
 - 2016/0242483 A1 * 8/2016 Dorsey A42B 3/0406
 - 2017/0303619 A1 * 10/2017 Silva A42B 3/044
 - 2018/0310657 A1 * 11/2018 Axelsson F16B 21/065
 - 2019/0037954 A1 * 2/2019 Friedman A42B 3/046
- (Continued)

FOREIGN PATENT DOCUMENTS

RU 00117047 * 1/2019

OTHER PUBLICATIONS

Detroit's Guardhat Adds Partners to Bring More Wearable Technology to Market (on-line), dated Oct. 23, 2018. Retrieved from Internet Feb. 24, 2020, URL: <https://www.dbusiness.com/daily-news/detroits-guardhat-add-partners-to-bring-more-wearable-technology-to-market/> (1 page) (Year: 2018).*

(Continued)

Primary Examiner — Kimberly Barnes
(74) *Attorney, Agent, or Firm* — Simonelli IP, PLLC

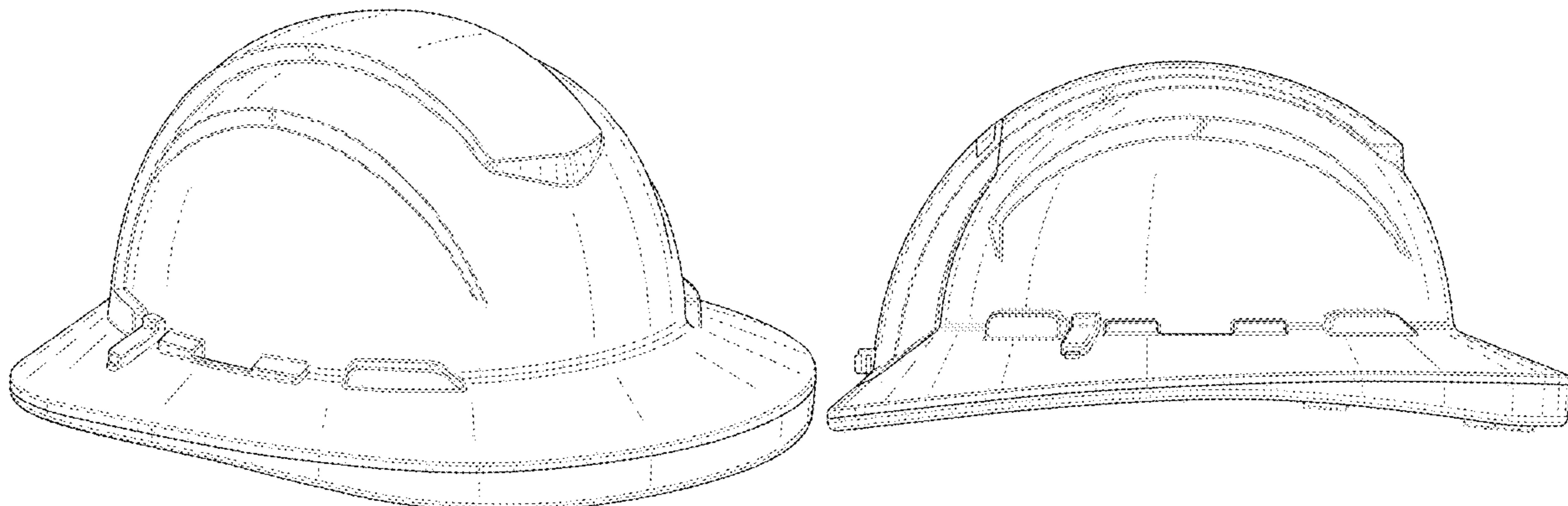
(57) **CLAIM**

The ornamental design for a hardhat helmet, as shown and described.

DESCRIPTION

FIG. 1 is a perspective view of a hardhat helmet showing our new design;
FIG. 2 is a front view thereof;
FIG. 3 is a top view thereof;
FIG. 4 is a bottom view thereof;
FIGS. 5 and 6 are side views thereof; and,
FIG. 7 is a rear view thereof.

1 Claim, 7 Drawing Sheets



(56)

References Cited

U.S. PATENT DOCUMENTS

2019/0104795 A1* 4/2019 Tirado A42B 3/0406
2019/0125026 A1* 5/2019 Friedman A42B 3/0406

OTHER PUBLICATIONS

myHUB Profile: Guardhat (on-line), dated Jan. 10, 2019. Retrieved from Internet Feb. 24, 2020, URL: <https://mhubchicago.com/blog/member-spotlight--guardhat-19> (1 page) (Year: 2019).*

Ridgeline Matte White Graphite Full Brim Hard Hat (on-line), no date available. Retrieved from Internet Feb. 26, 2020, URL: https://www.industrialsafetygear.com/Ridgeline-Matte-White-Graphite-Pattern-Full-Brim-Hard-Hat.html?gclid=EA1a1QobChM12YuF2pHw5w1ViJOzCh0xBge-EAQYCCABEgIrWPD_BwE (1 page).*

* cited by examiner

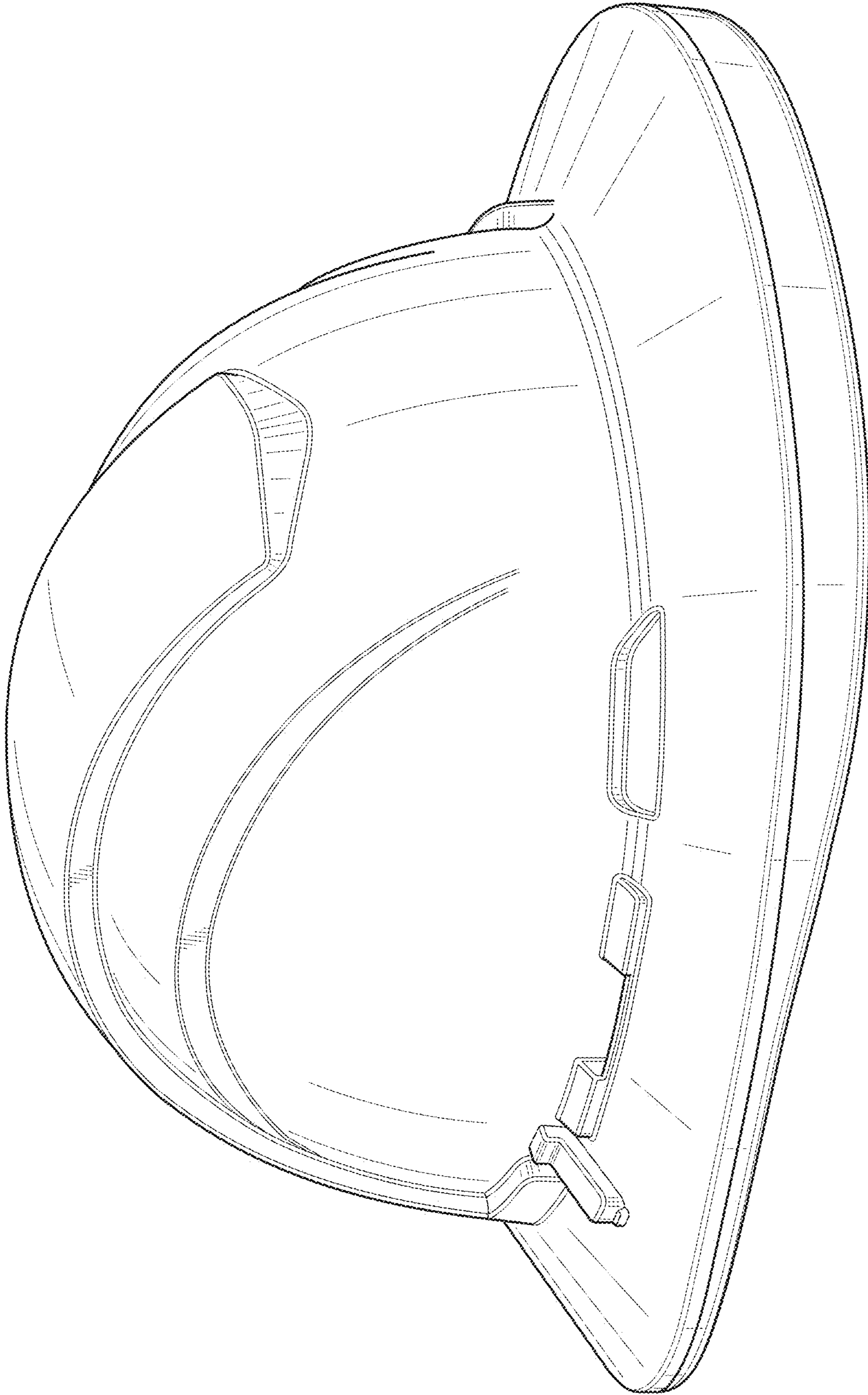


FIG. 1

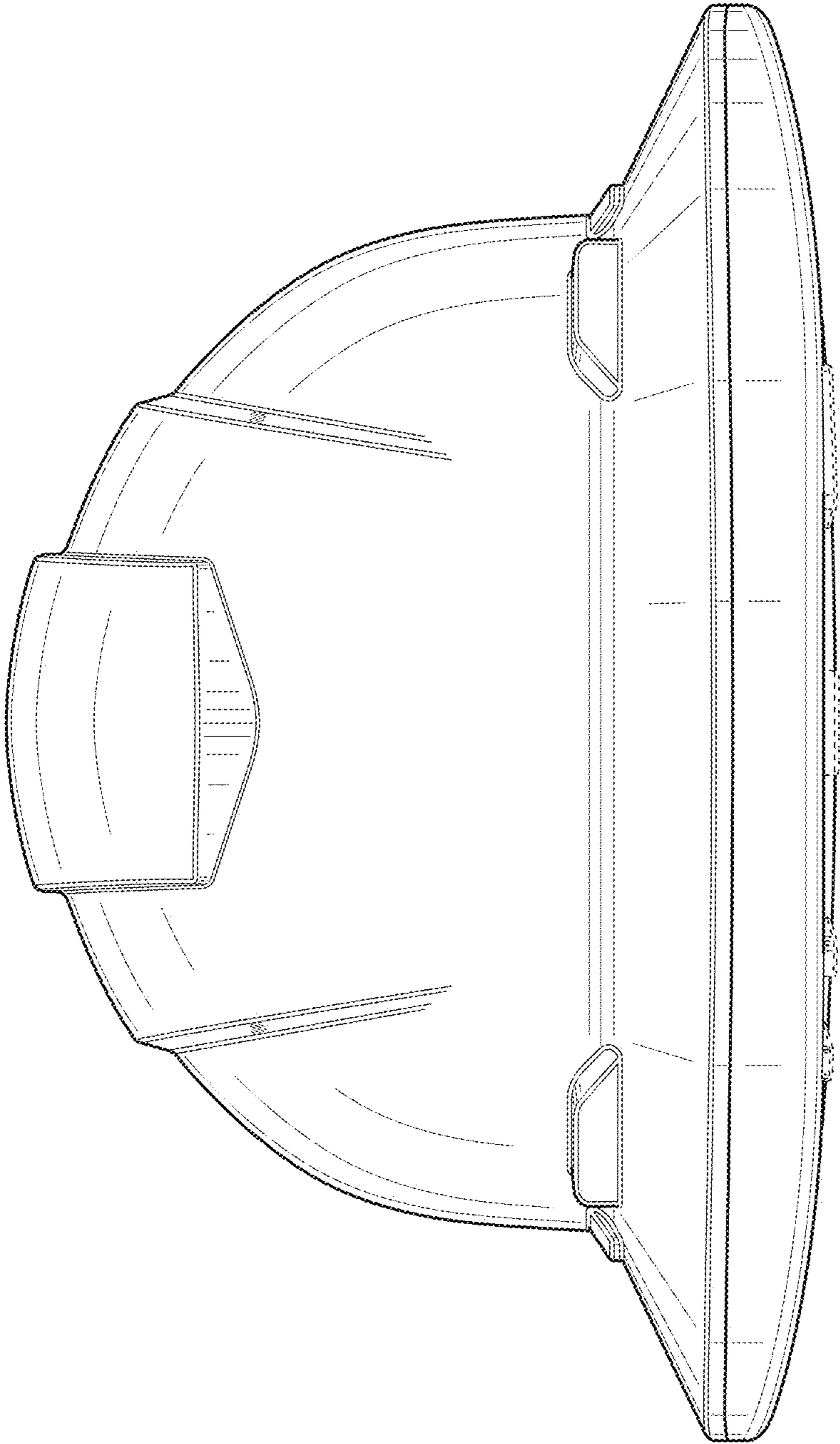


FIG. 2

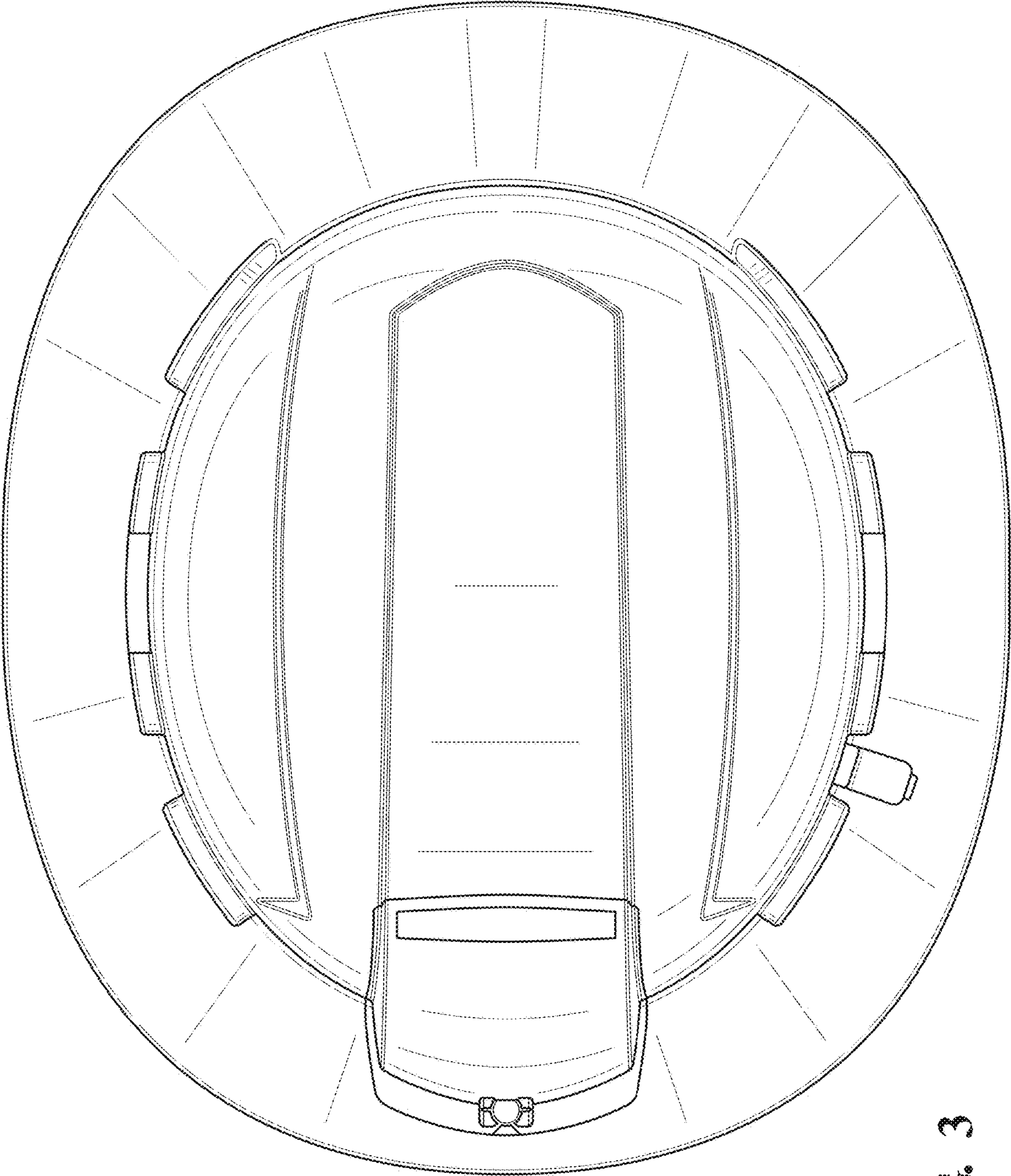


FIG. 3

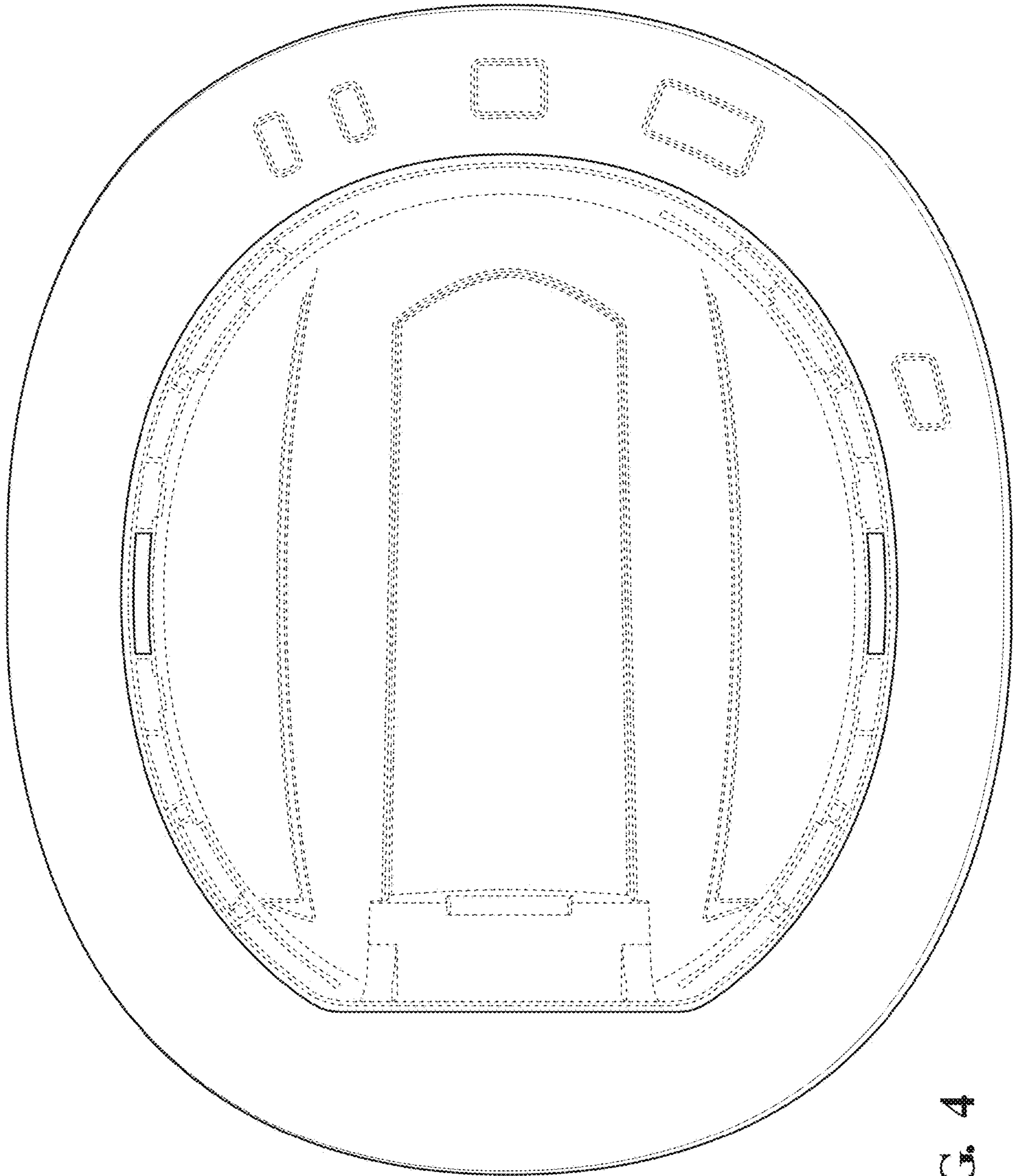


FIG. 4

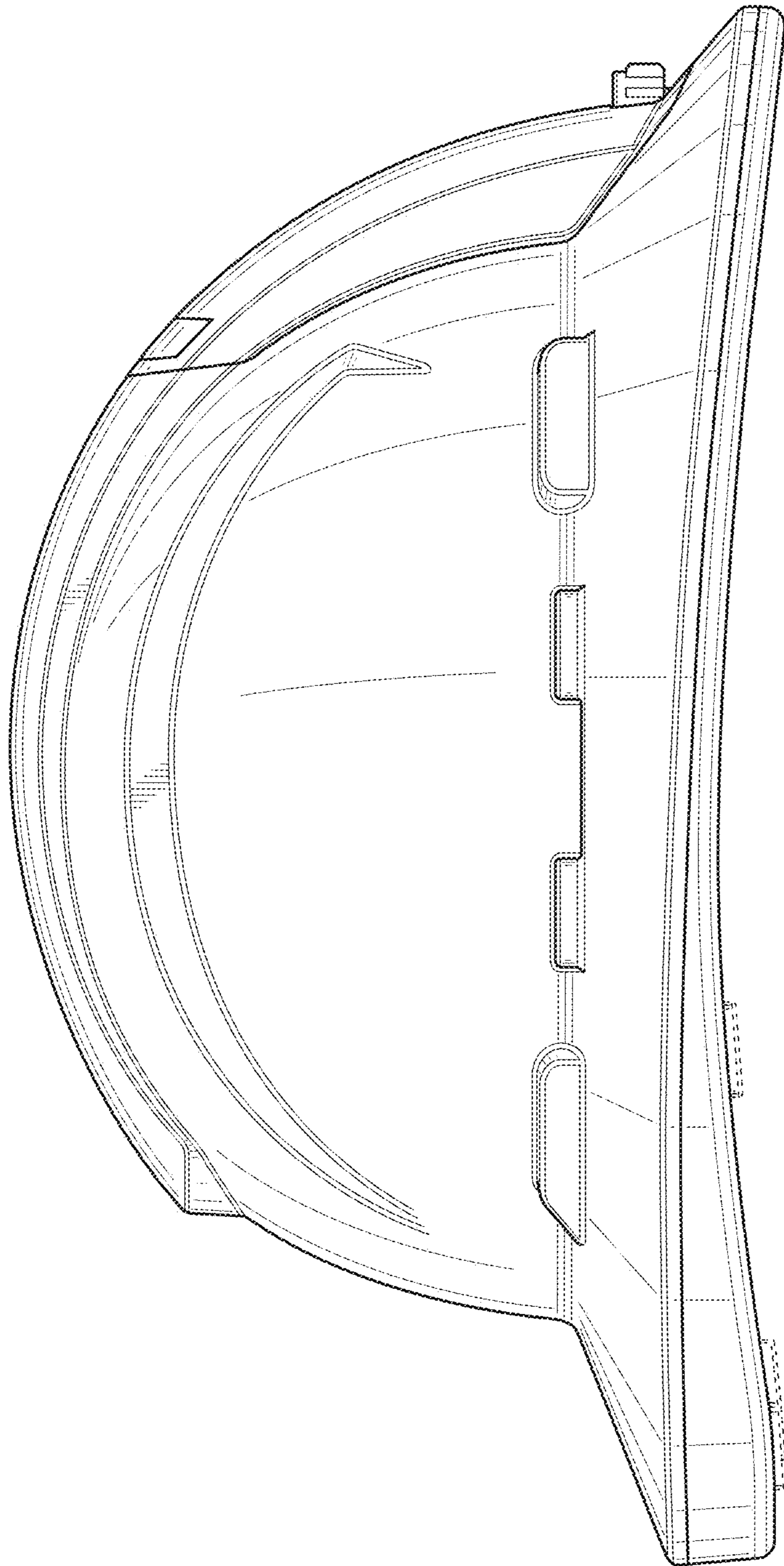


FIG. 5

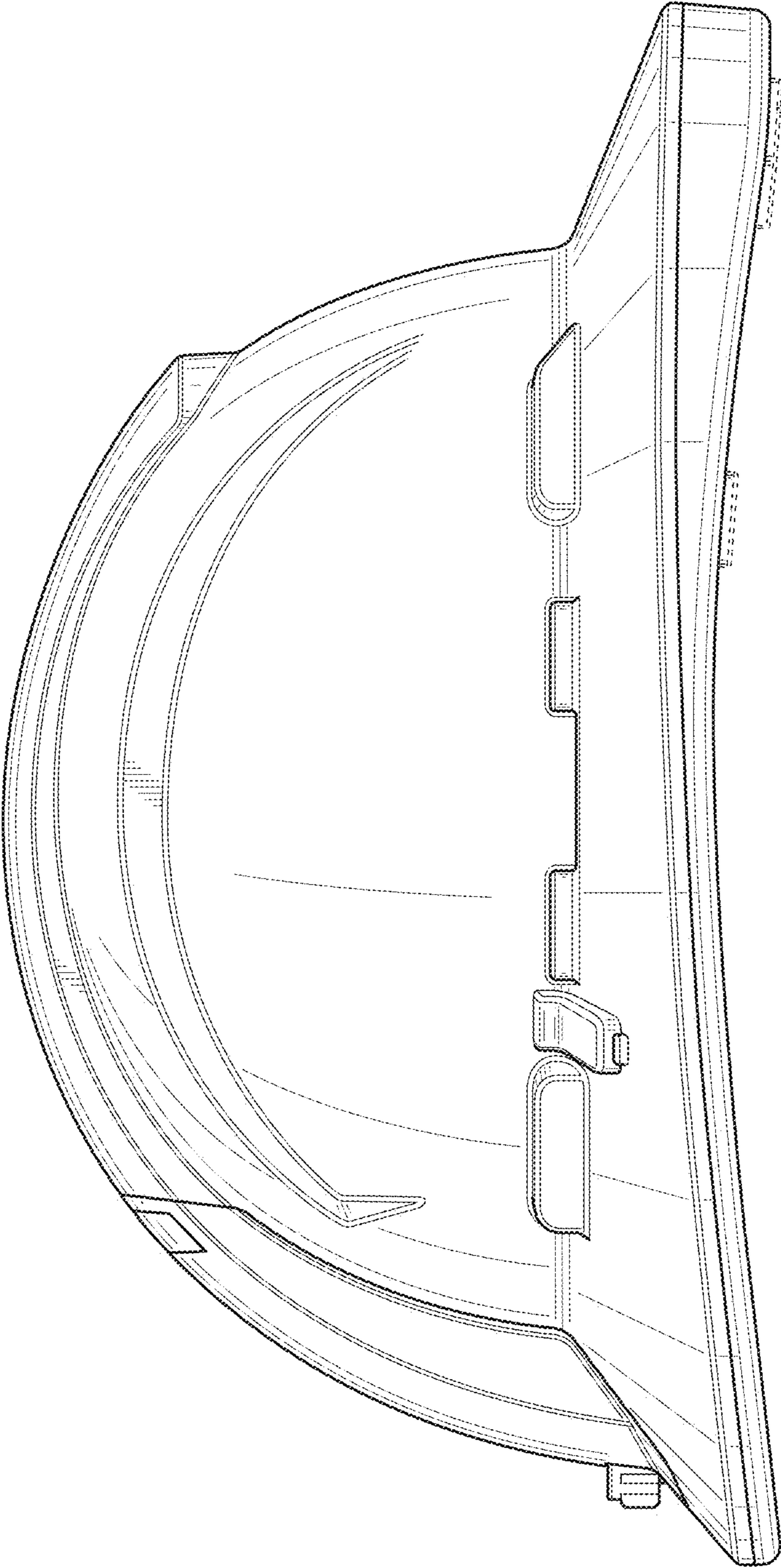


FIG. 6

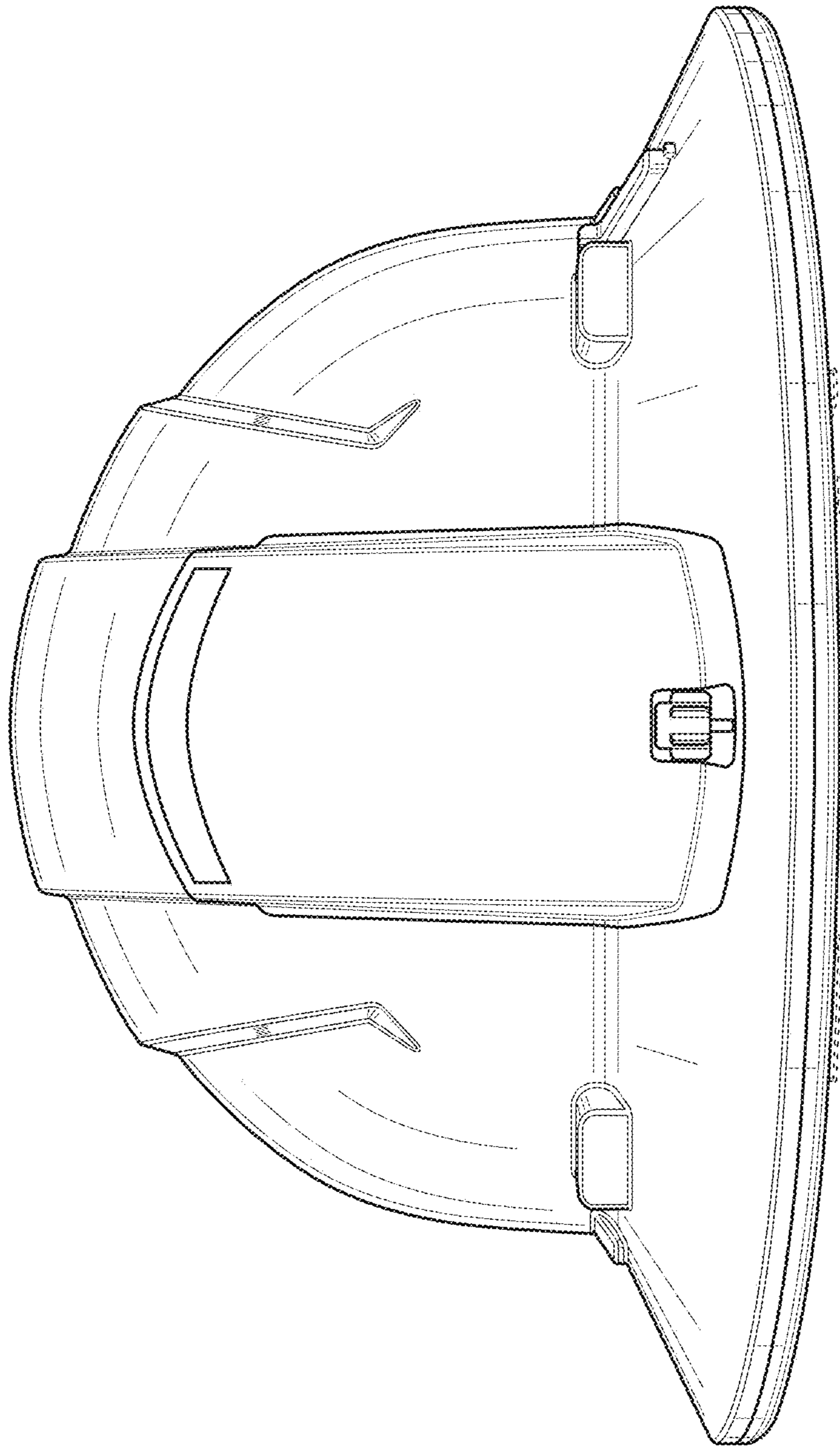


FIG. 7