

US00D898997S

(12) **United States Design Patent**
Goodwin et al.

(10) **Patent No.:** **US D898,997 S**
(45) **Date of Patent:** **** Oct. 13, 2020**

- (54) **DOUBLE SNAP HAIR CLIP**
- (71) Applicant: **GABBY, LLC**, Columbia, SC (US)
- (72) Inventors: **Rozalynn B Goodwin**, Columbia, SC (US); **Gabrielle Goodwin**, Columbia, SC (US); **Robert Gibson**, Charlotte, NC (US); **Matt Green**, Charlotte, NC (US)
- (73) Assignee: **GABBY, LLC**, Columbia, SC (US)
- (**) Term: **15 Years**
- (21) Appl. No.: **29/646,939**
- (22) Filed: **May 8, 2018**
- (51) **LOC (12) Cl.** **28-03**
- (52) **U.S. Cl.**
USPC **D28/42**
- (58) **Field of Classification Search**
USPC D28/10, 21, 25, 27, 32, 33, 34, 35, 39, D28/40, 41, 42, 43
CPC A45D 6/045; A45D 8/00; A45D 8/002; A45D 8/004; A45D 8/006; A45D 8/008; A45D 8/02; A45D 8/06; A45D 8/08; A45D 8/10; A45D 8/12; A45D 8/14; A45D 8/16; A45D 8/18; A45D 8/20; A45D 8/22; A45D 8/24; A45D 8/26; A45D 8/28; A45D 8/30; A45D 8/32
See application file for complete search history.

- 3,478,754 A * 11/1969 Martin, Jr. A41G 5/02
132/216
- D240,776 S * 8/1976 Pollard D20/28
- 3,998,233 A 12/1976 Dorr
- D260,453 S 9/1981 Carlson
- D276,274 S 11/1984 Bezansom et al.
- D318,540 S 7/1991 Carter
- D342,769 S 12/1993 Stangl
- 5,398,706 A * 3/1995 Epstein A45D 33/006
132/273

(Continued)

OTHER PUBLICATIONS

GABBY Bows Sweet Pea Bundle, announced Jun. 10, 2018 [online], retrieved Dec. 19, 2019, retrieved from internet, https://www.amazon.com/Gabby-Bows-Sweet-Bundle-Barrettes/dp/B077PBH1QP/ref=lp_11829102011_1_1_a_it?srs=11829102011&ie=UTF8&qid=1576770535&sr=8-1.*

(Continued)

Primary Examiner — Barbara Fox
Assistant Examiner — Messina L Smith
(74) *Attorney, Agent, or Firm* — Parker Poe Adams and Bernstein LLP

(57) **CLAIM**

The ornamental design for a double snap hair clip, as shown and described.

DESCRIPTION

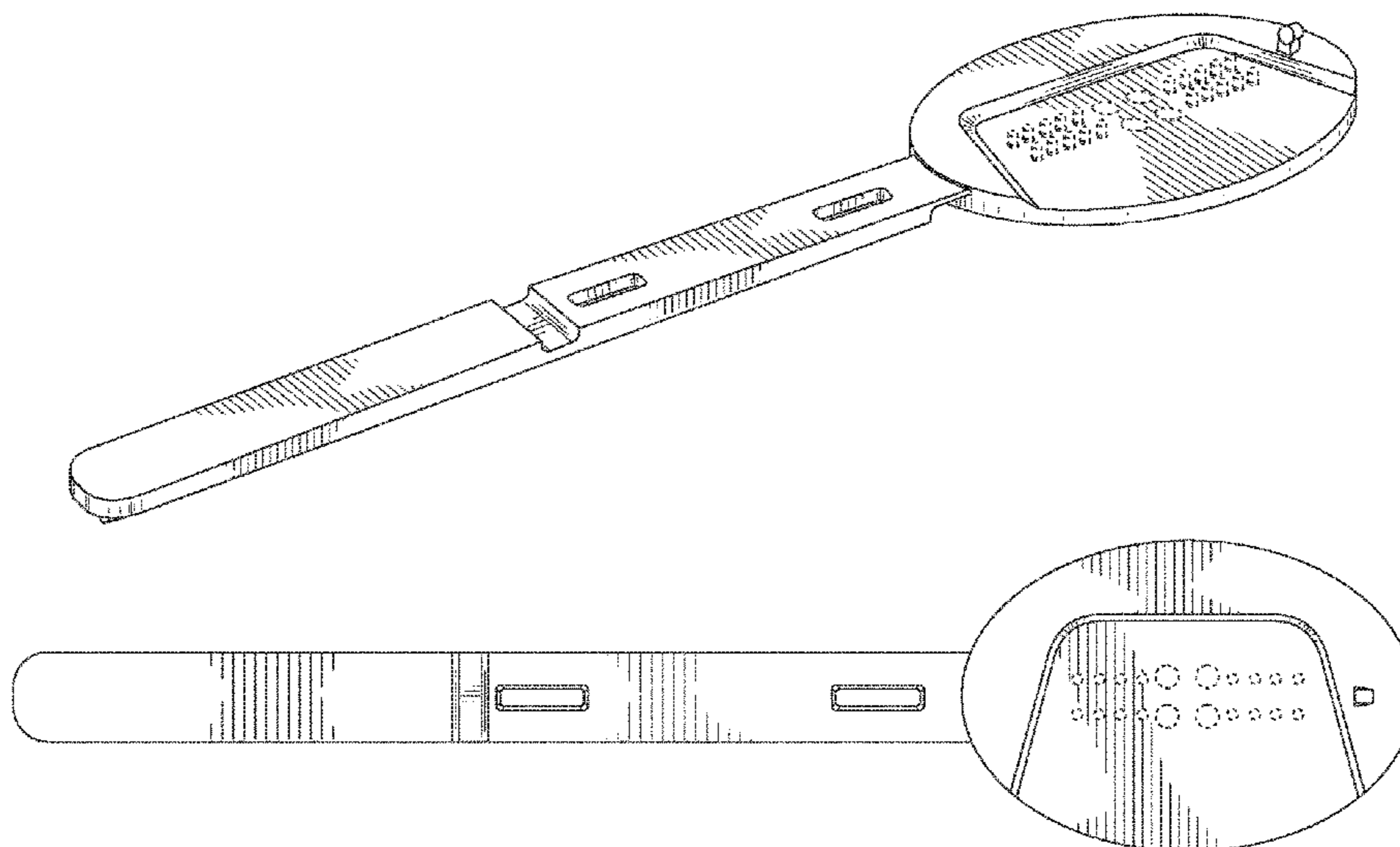
FIG. 1 is a perspective view of a double snap hair clip showing the new design;
FIG. 2 is a top plan view thereof;
FIG. 3 is a bottom plan view thereof;
FIG. 4 is a first side elevation view thereof;
FIG. 5 is an opposing second side elevation view thereof;
FIG. 6 is a front elevation view thereof; and,
FIG. 7 is a rear elevation view thereof.
The broken lines in the drawings depict portions of the double snap hair clip that form no part of the claimed design.

1 Claim, 6 Drawing Sheets

(56) **References Cited**

U.S. PATENT DOCUMENTS

- 1,437,334 A 11/1922 Battersby
- 1,447,998 A 3/1923 Popin
- 1,496,329 A 5/1923 Stumph
- 2,818,871 A * 1/1958 Beaudry A45D 8/34
132/278
- 3,201,952 A * 8/1965 Triangolo A45D 8/00
63/43
- D207,245 S * 3/1967 Lynn D7/683



(56)

References Cited

U.S. PATENT DOCUMENTS

5,546,966	A	8/1996	Lin	
5,597,000	A	1/1997	Gerber	
5,605,166	A	2/1997	Chorr	
5,638,836	A	6/1997	Yasuda	
5,816,267	A	10/1998	Chou	
5,857,469	A	1/1999	Sowell	
6,003,522	A *	12/1999	Schach A45D 8/38 132/279
6,024,102	A	2/2000	Huang	
D492,197	S	6/2004	Pearson et al.	
D494,340	S	8/2004	Baumhogger et al.	
6,981,507	B2	1/2006	Gabriele-Baumann	
D540,602	S	4/2007	Tascoe	
D567,438	S *	4/2008	Srivastava D28/10
D636,028	S *	4/2011	Widener D20/22
D656,274	S *	3/2012	Tsai D28/42
D713,993	S *	9/2014	Dula A45D 8/24 D28/42
D735,942	S *	8/2015	Tseng D24/152
D738,040	S	9/2015	Goodwin et al.	
D792,024	S *	7/2017	Maman D20/40
9,788,628	B1	10/2017	Goodwin et al.	
2009/0116226	A1 *	5/2009	Wang A42B 3/245 362/105

OTHER PUBLICATIONS

Confidence by Gabby Goodwin, announced © 2019 [online], retrieved Dec. 19, 2019, retrieved from internet, <https://gabbybows.com/collections/all-products?page=3>.*

* cited by examiner

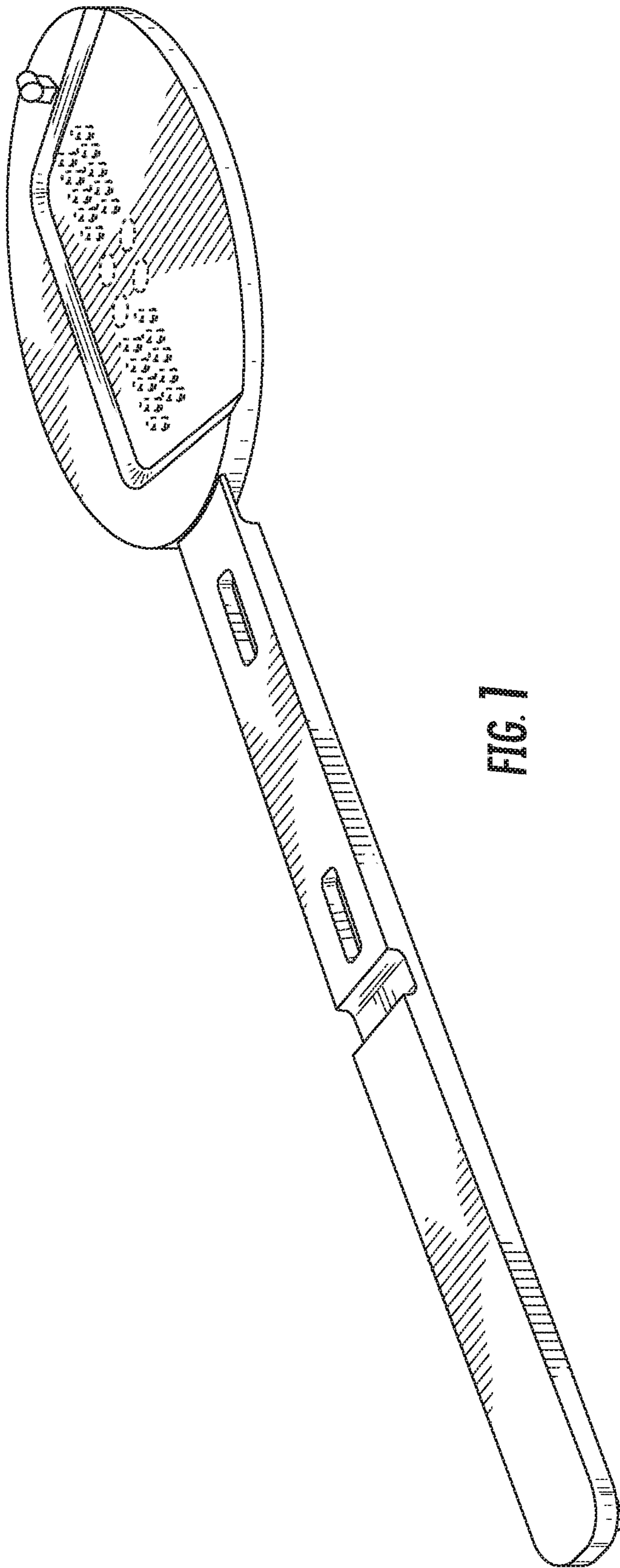


FIG. 1

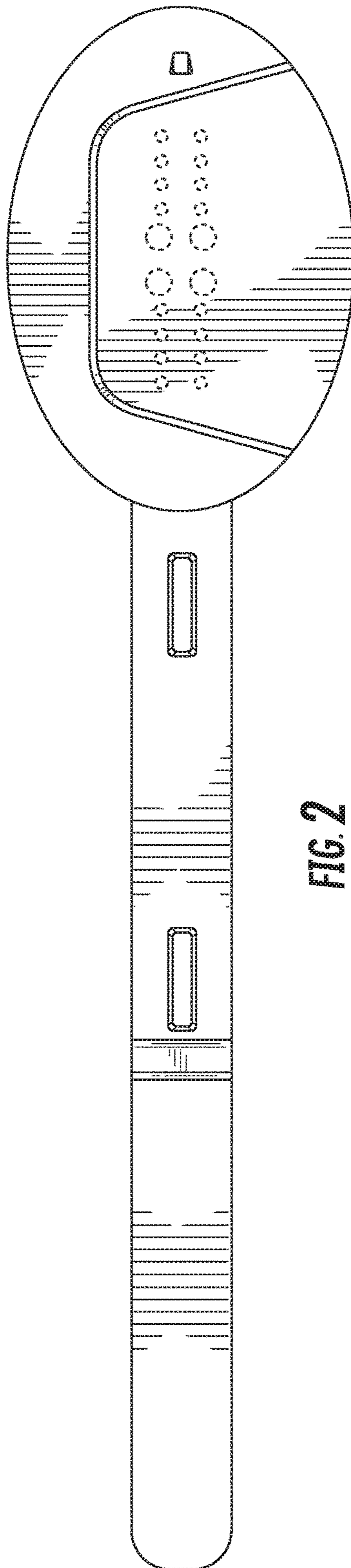


FIG. 2

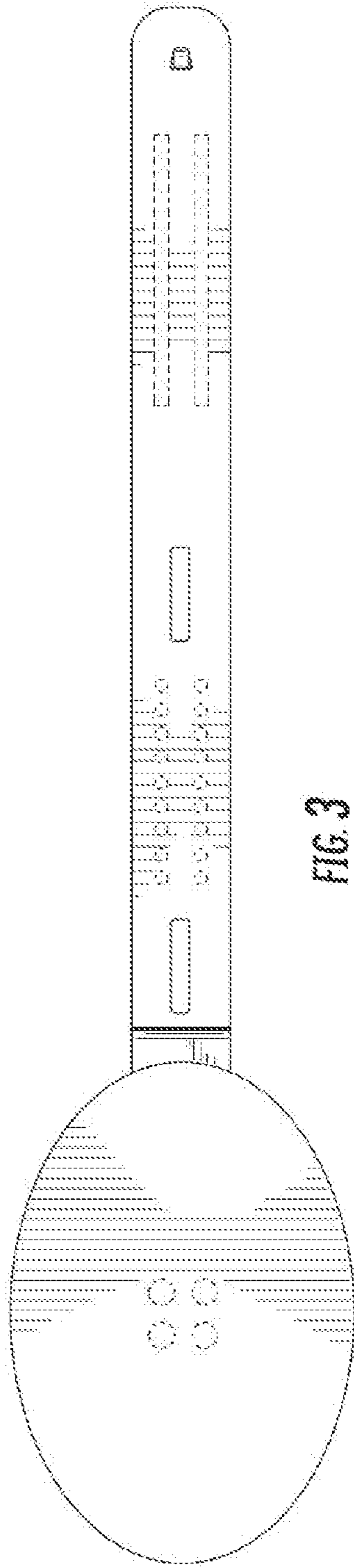


FIG. 3

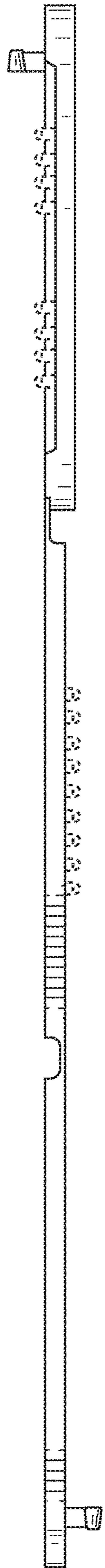


FIG. 4

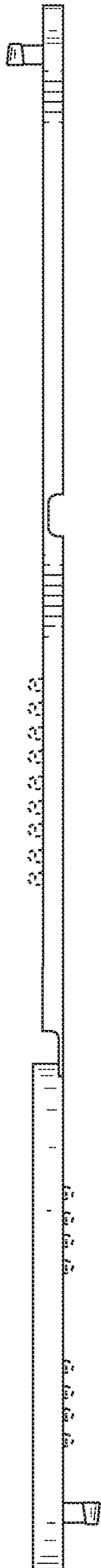


FIG. 5

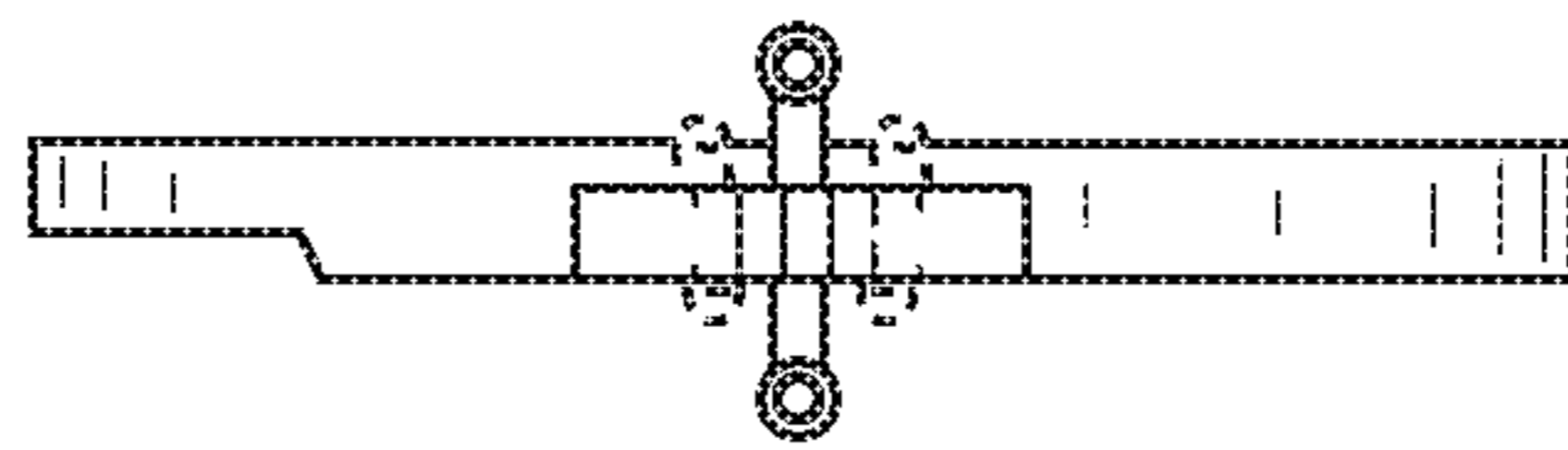


FIG. 6

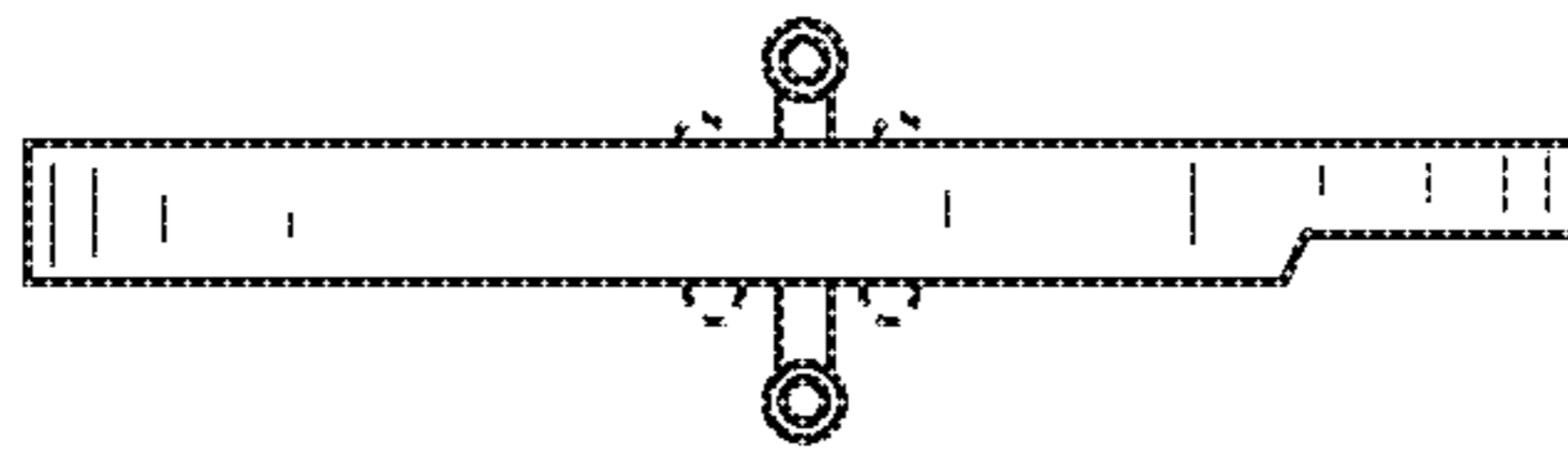


FIG. 7