



US00D898996S

(12) **United States Design Patent**
Kaminsky

(10) **Patent No.:** **US D898,996 S**

(45) **Date of Patent:** **** Oct. 13, 2020**

(54) **HEART HAIR CLIP**

D635,715 S * 4/2011 Hsu D28/40
D719,297 S * 12/2014 Hsu A45D 8/24
D28/40
D769,525 S * 10/2016 Coral D28/40

(71) Applicant: **Sabrina Kaminsky**, Mill Valley, CA
(US)

* cited by examiner

(72) Inventor: **Sabrina Kaminsky**, Mill Valley, CA
(US)

Primary Examiner — Zenia I Bennett

(74) *Attorney, Agent, or Firm* — Steven A. Nielsen;
www.NielsenPatents.com

(**) Term: **15 Years**

(57) **CLAIM**

(21) Appl. No.: **29/702,281**

The ornamental design for a heart hair clip, as shown and described.

(22) Filed: **Aug. 18, 2019**

DESCRIPTION

(51) **LOC (12) Cl.** **28-03**

(52) **U.S. Cl.**
USPC **D28/40**

(58) **Field of Classification Search**
USPC D28/39, 40, 42, 43
CPC ... A45D 8/00; A45D 8/24; A45D 8/28; A45D
8/30; A45D 8/32; A45D 8/34
See application file for complete search history.

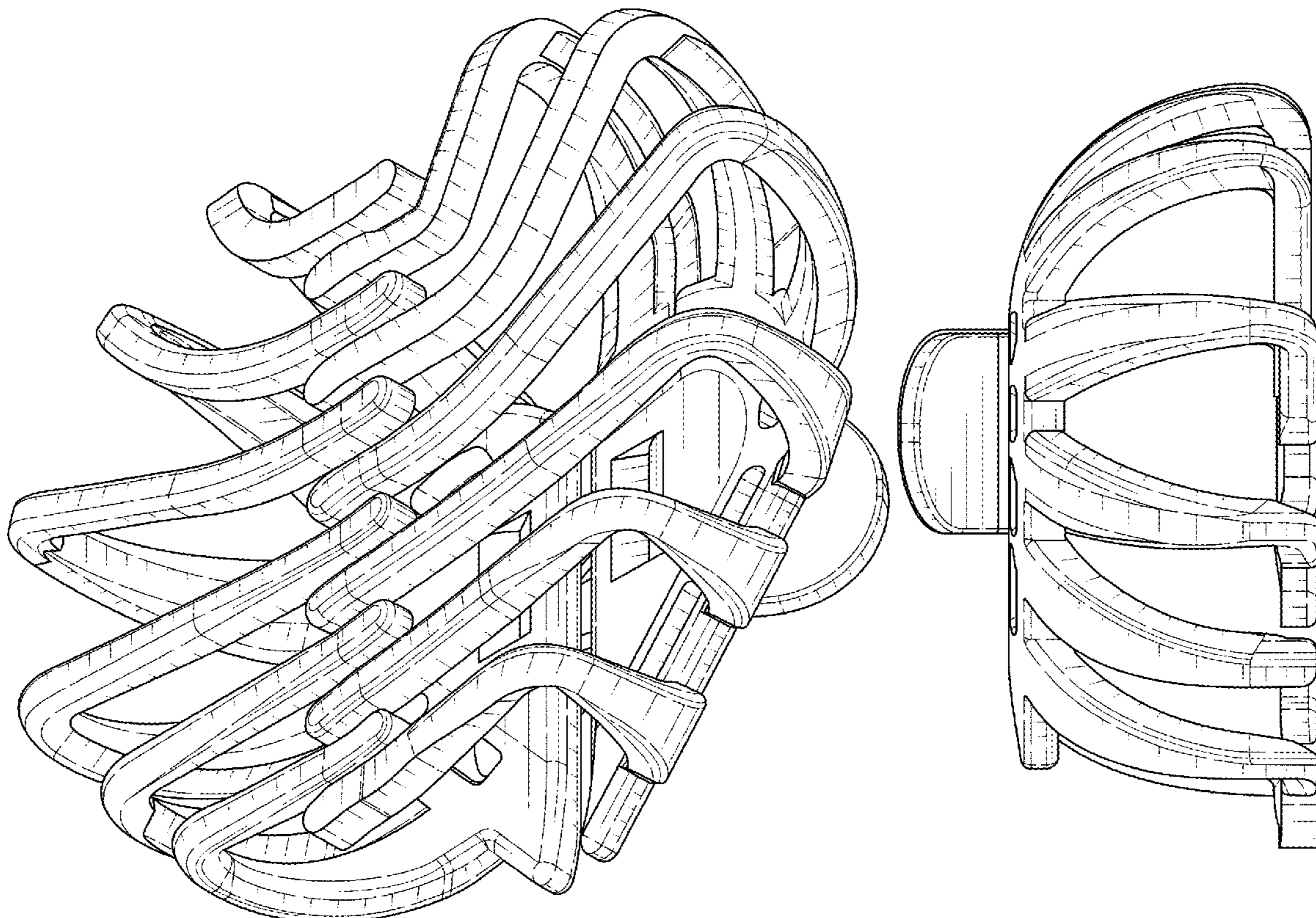
FIG. 1 is a back and side perspective view of a heart hair clip showing my new design;
FIG. 2 is a back view thereof;
FIG. 3 is a front view thereof;
FIG. 4 is a right side view thereof;
FIG. 5 is a left side view thereof;
FIG. 6 is a top view thereof;
FIG. 7 is a bottom view thereof;
FIG. 8 is a back and side perspective view in an open position thereof;
FIG. 9 is a back view in an open position thereof;
FIG. 10 is a front view in an open position thereof;
FIG. 11 is a right side view in an open position thereof;
FIG. 12 is a left side view in an open position thereof;
FIG. 13 is a top view in an open position thereof; and,
FIG. 14 is a bottom view in an open position thereof.

(56) **References Cited**

U.S. PATENT DOCUMENTS

D536,132 S * 1/2007 Vergona D28/40
D552,793 S * 10/2007 Pichon D28/40
D554,288 S * 10/2007 Vergona D28/40
D570,047 S * 5/2008 Vergona D28/40
D615,702 S * 5/2010 Hsu D28/40
D627,099 S * 11/2010 Tu D28/40

1 Claim, 12 Drawing Sheets



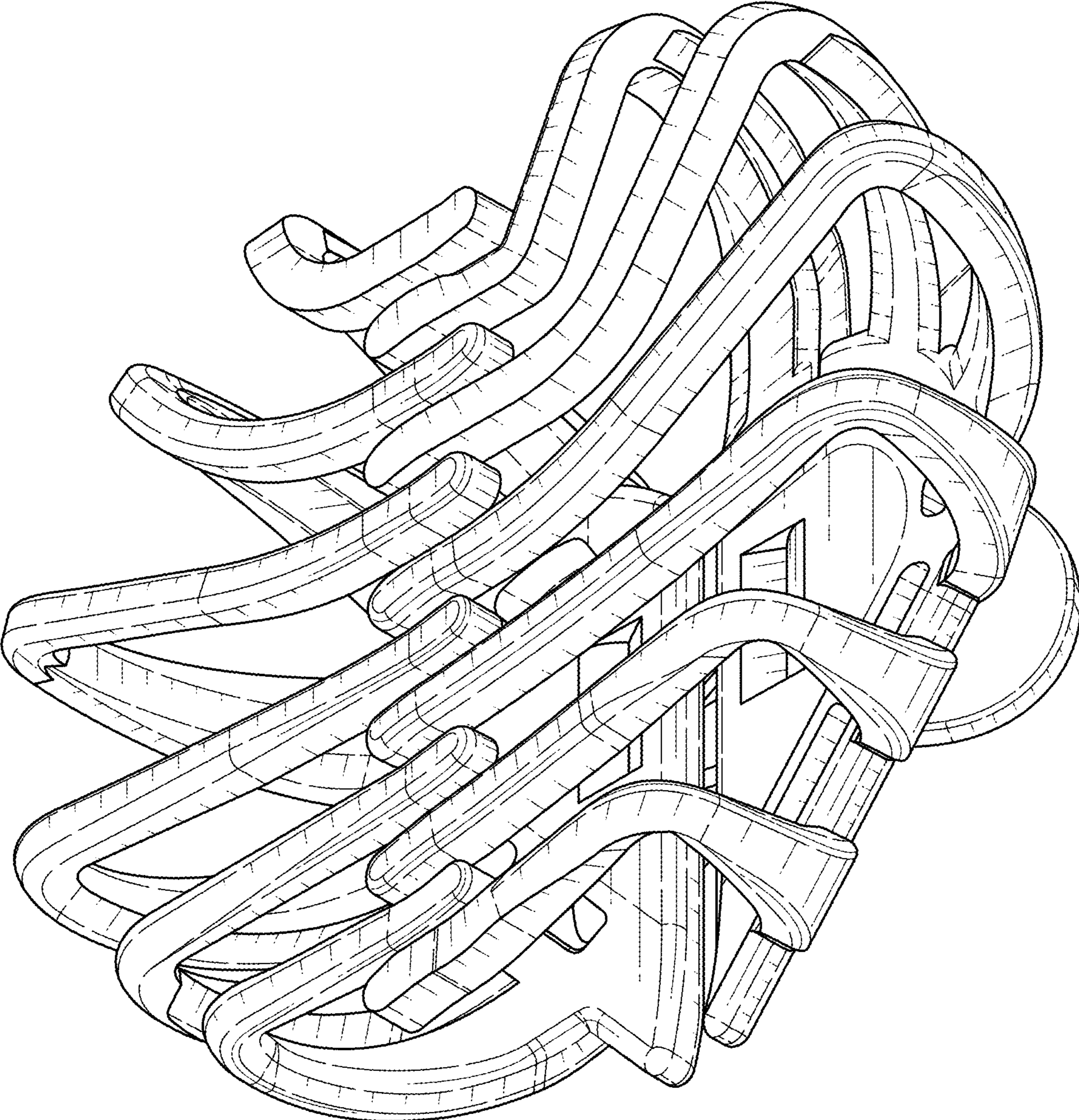


FIG. 1

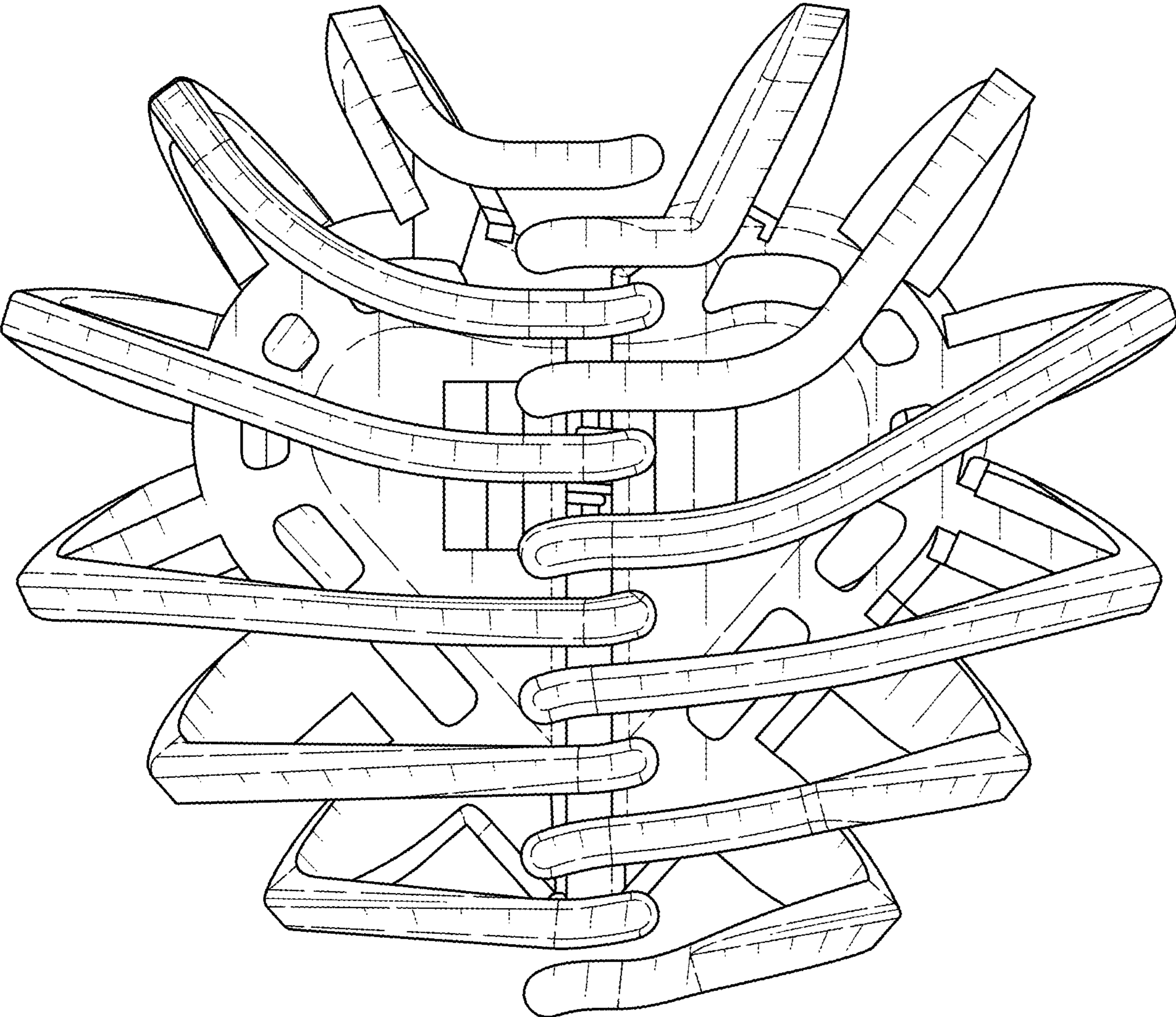


FIG. 2

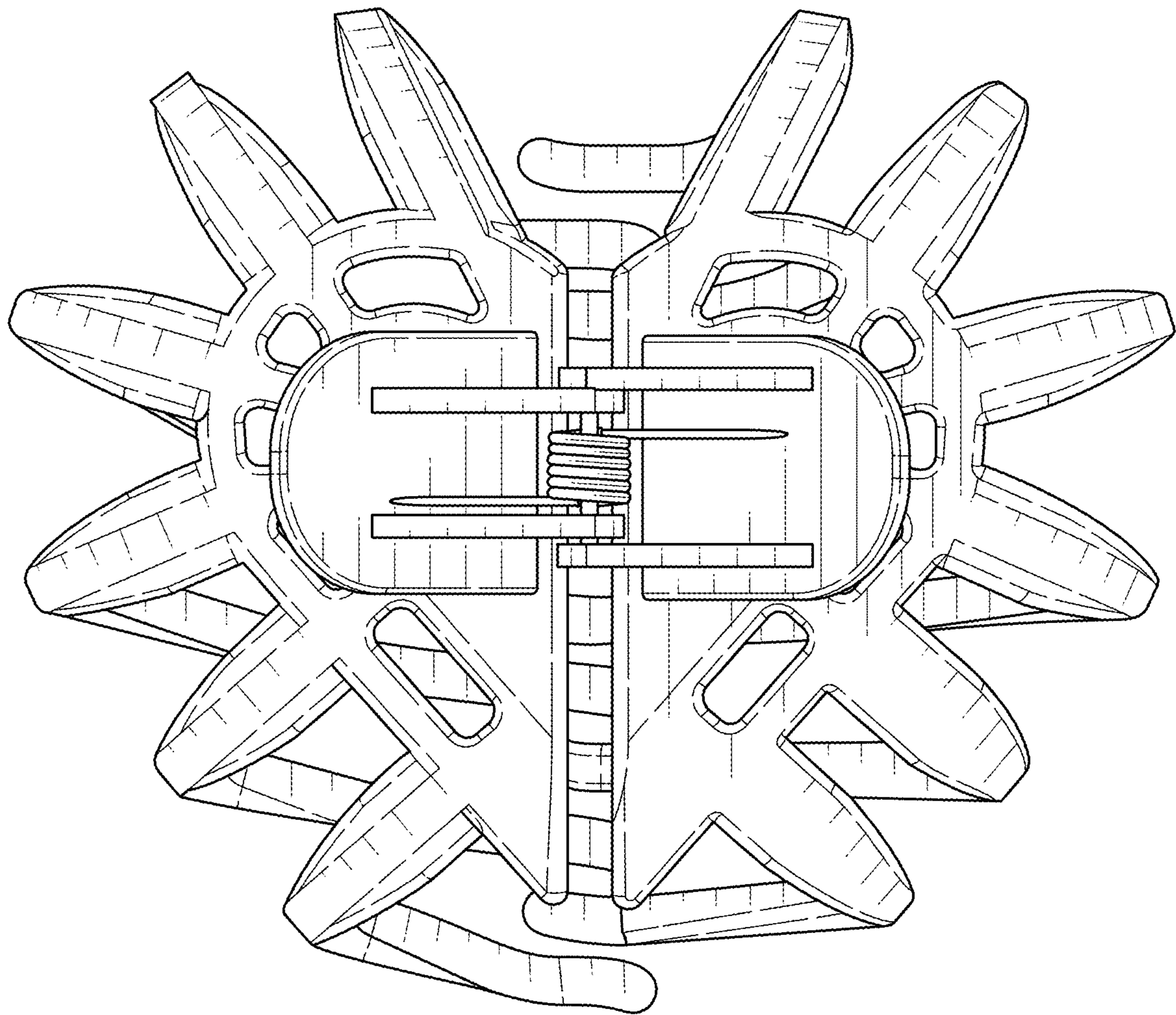


FIG. 3

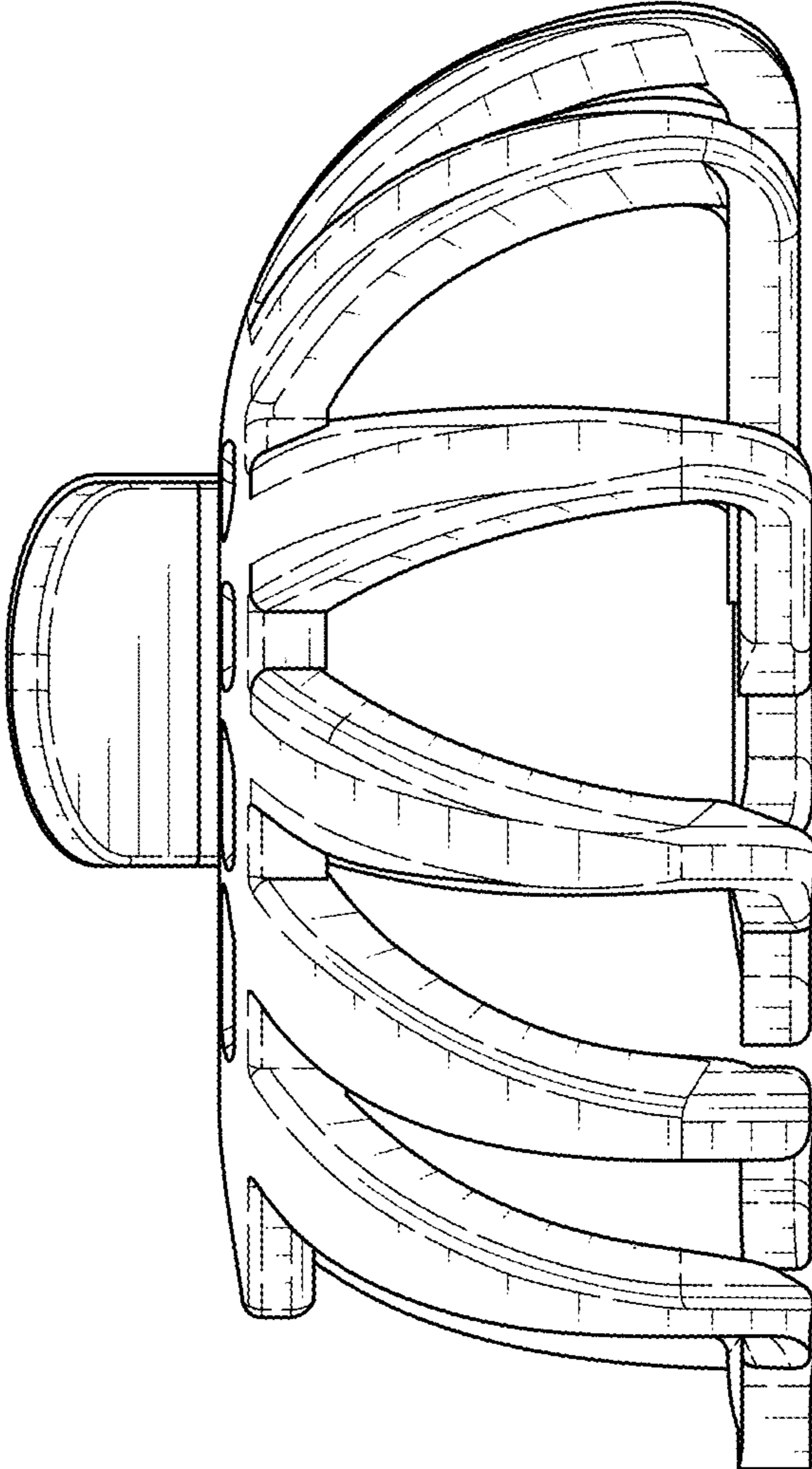


FIG. 4

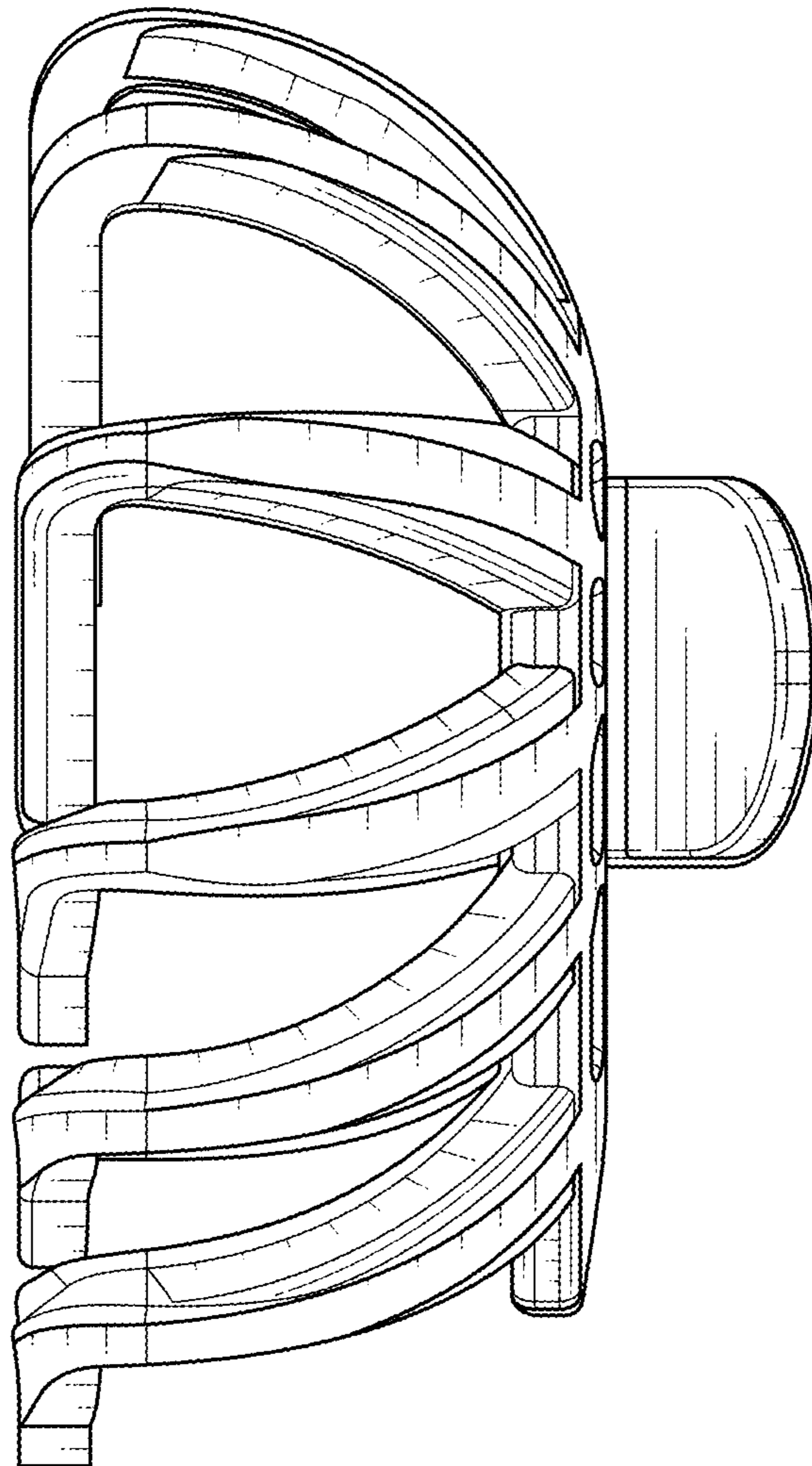


FIG. 5

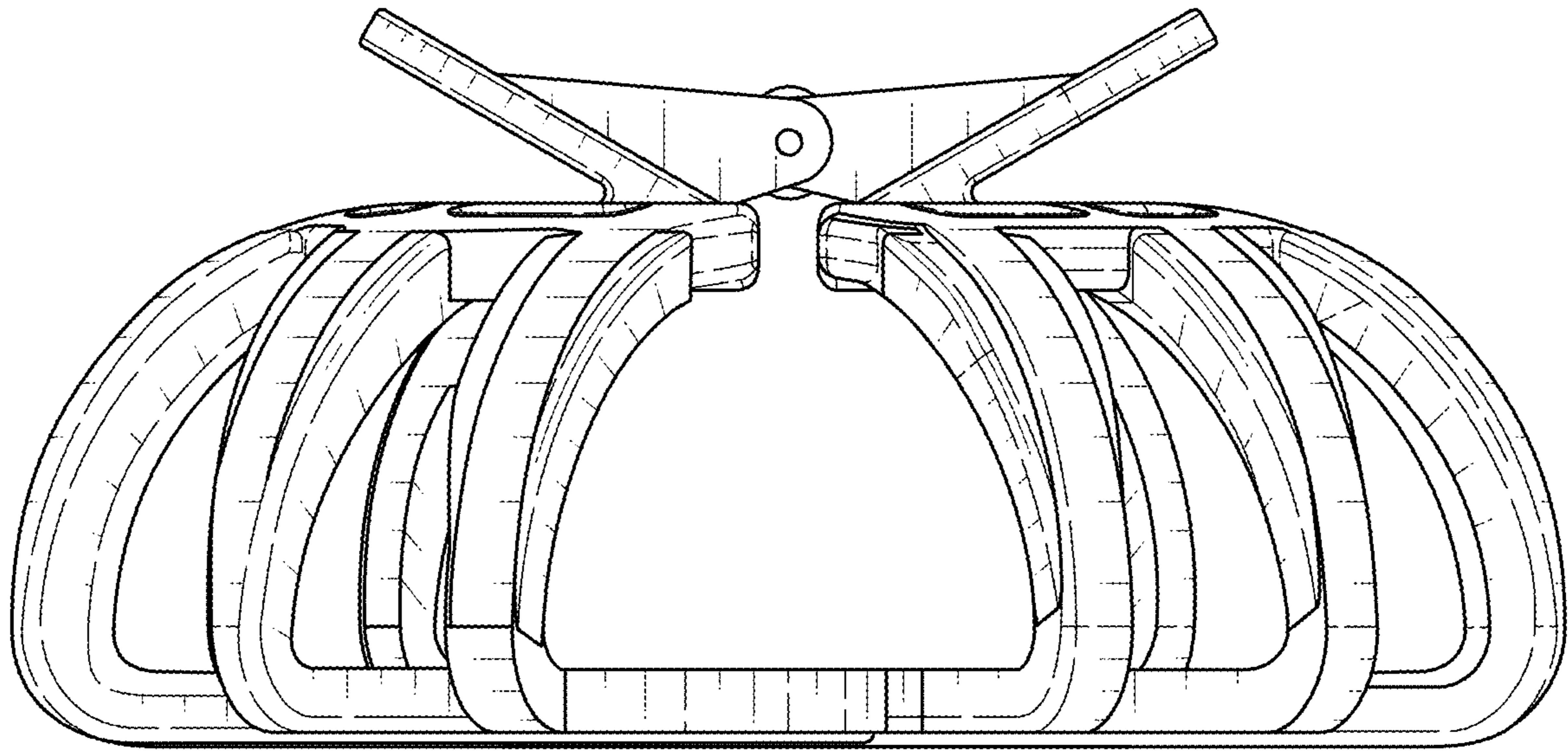


FIG. 6

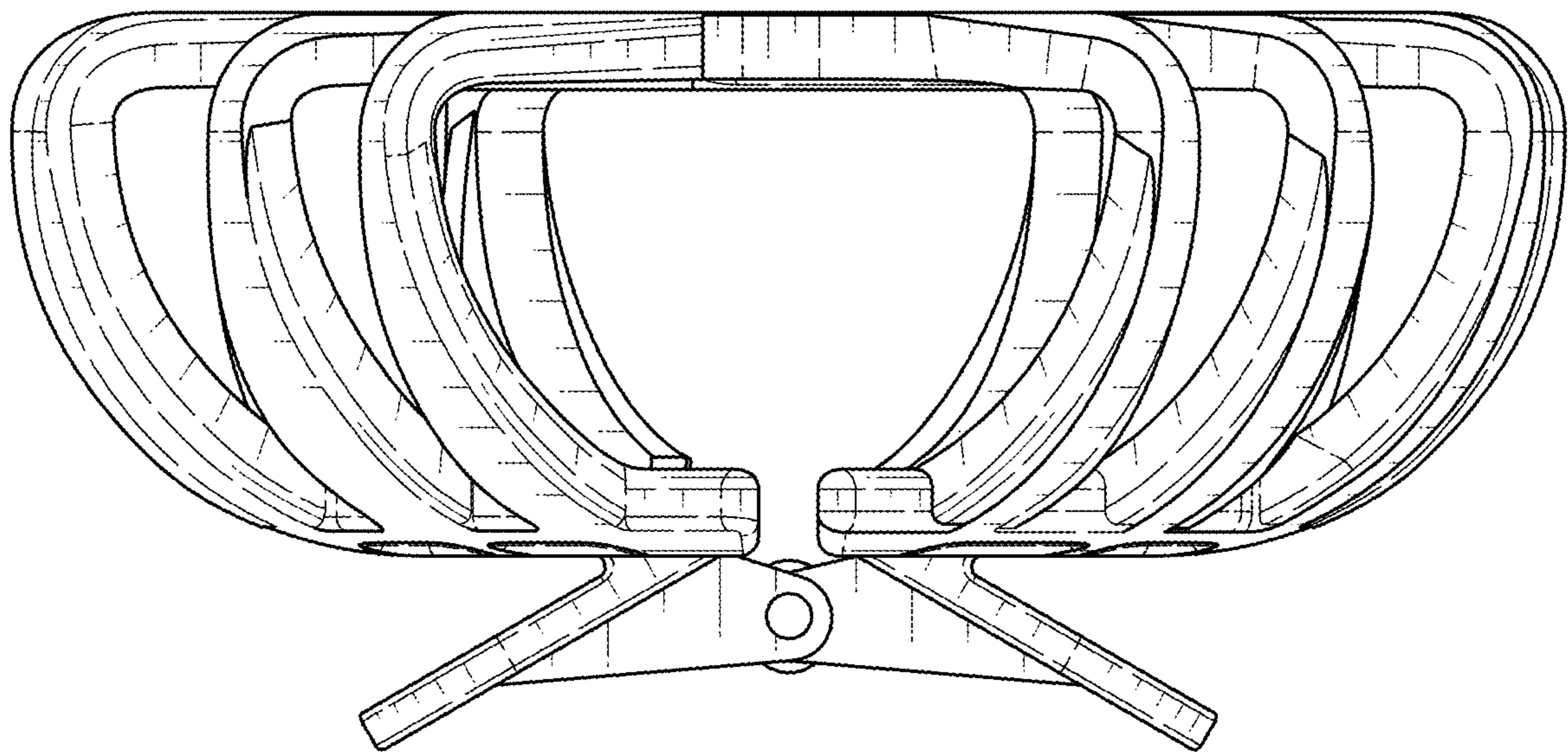


FIG. 7

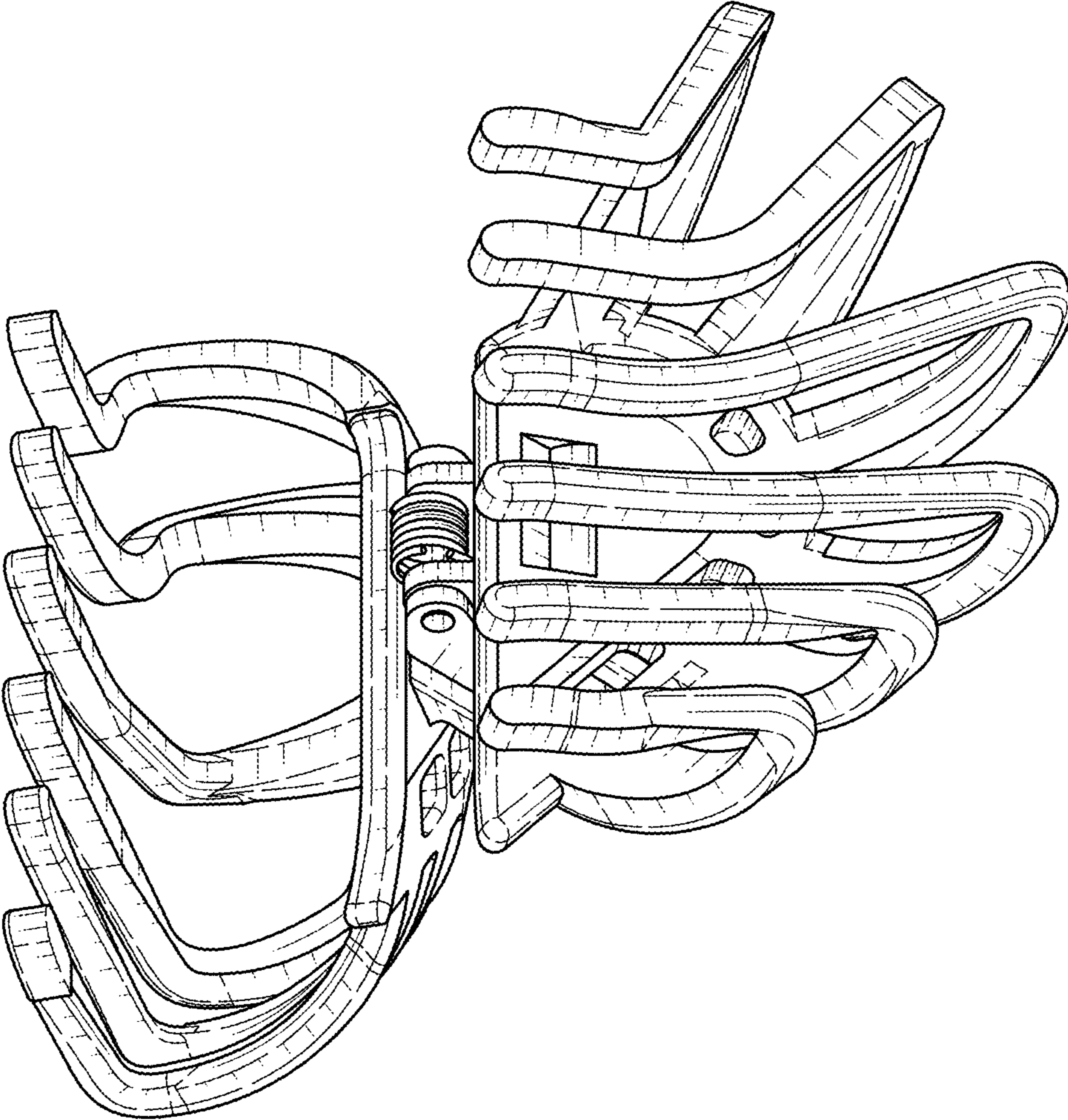


FIG. 8

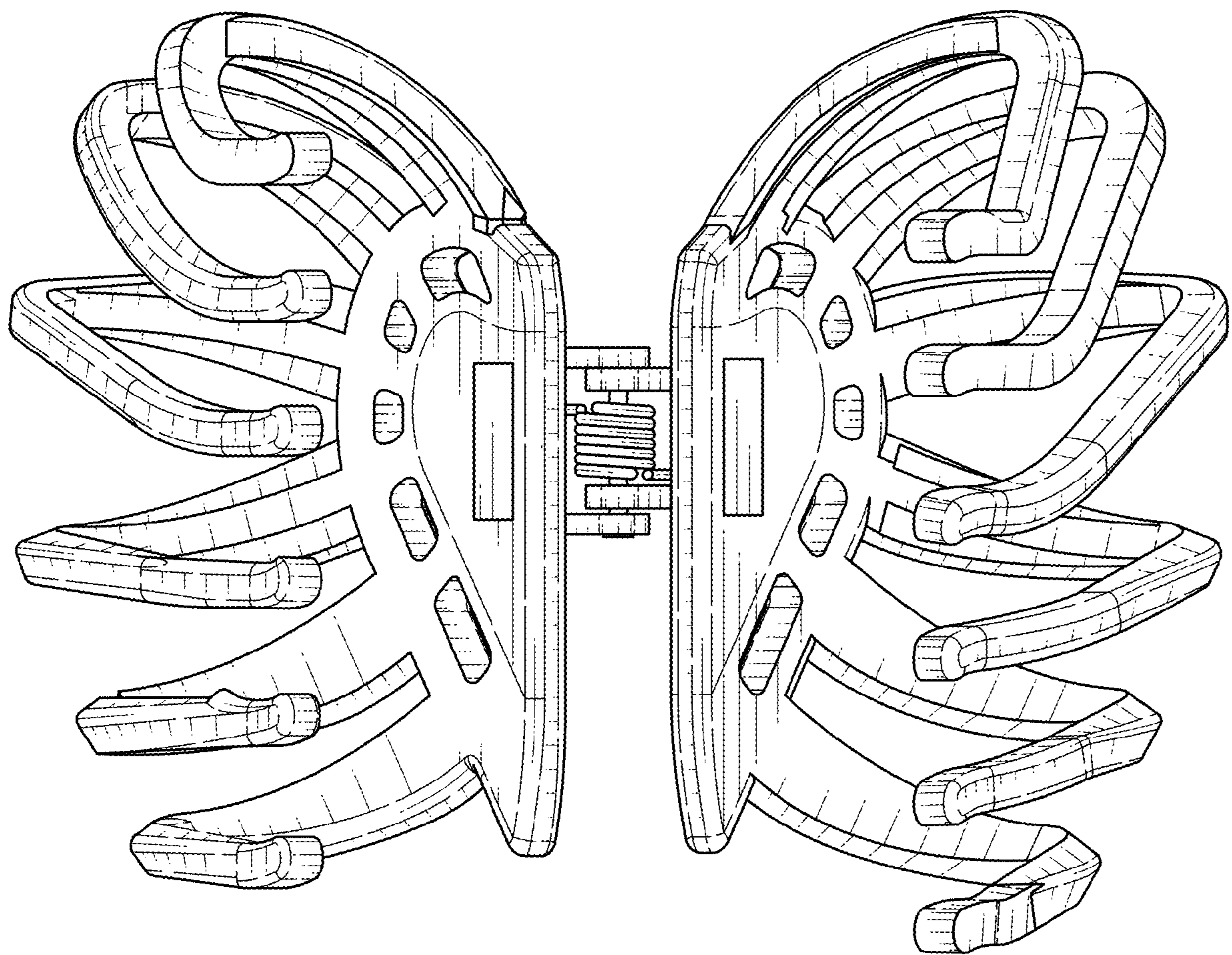


FIG. 9

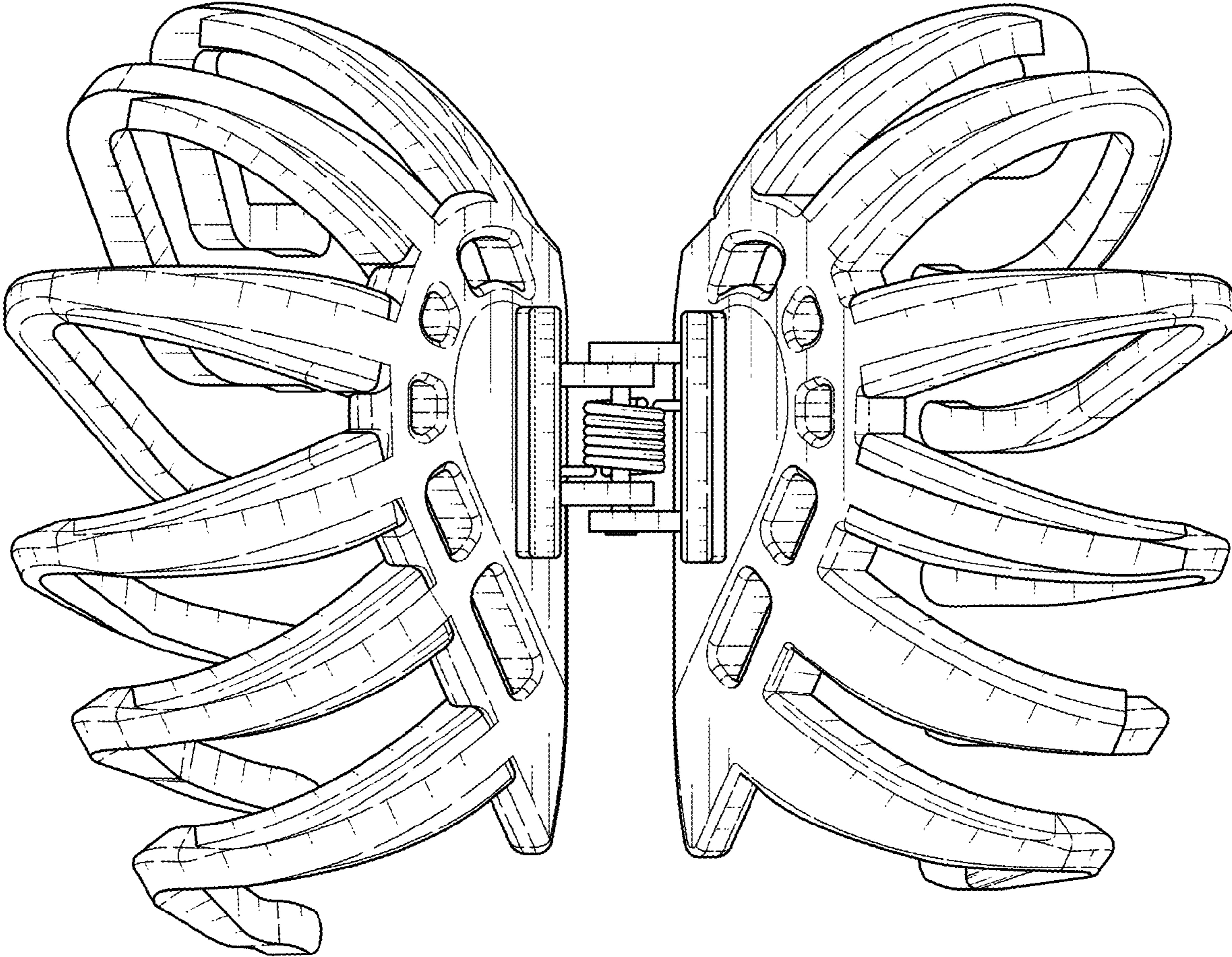


FIG. 10

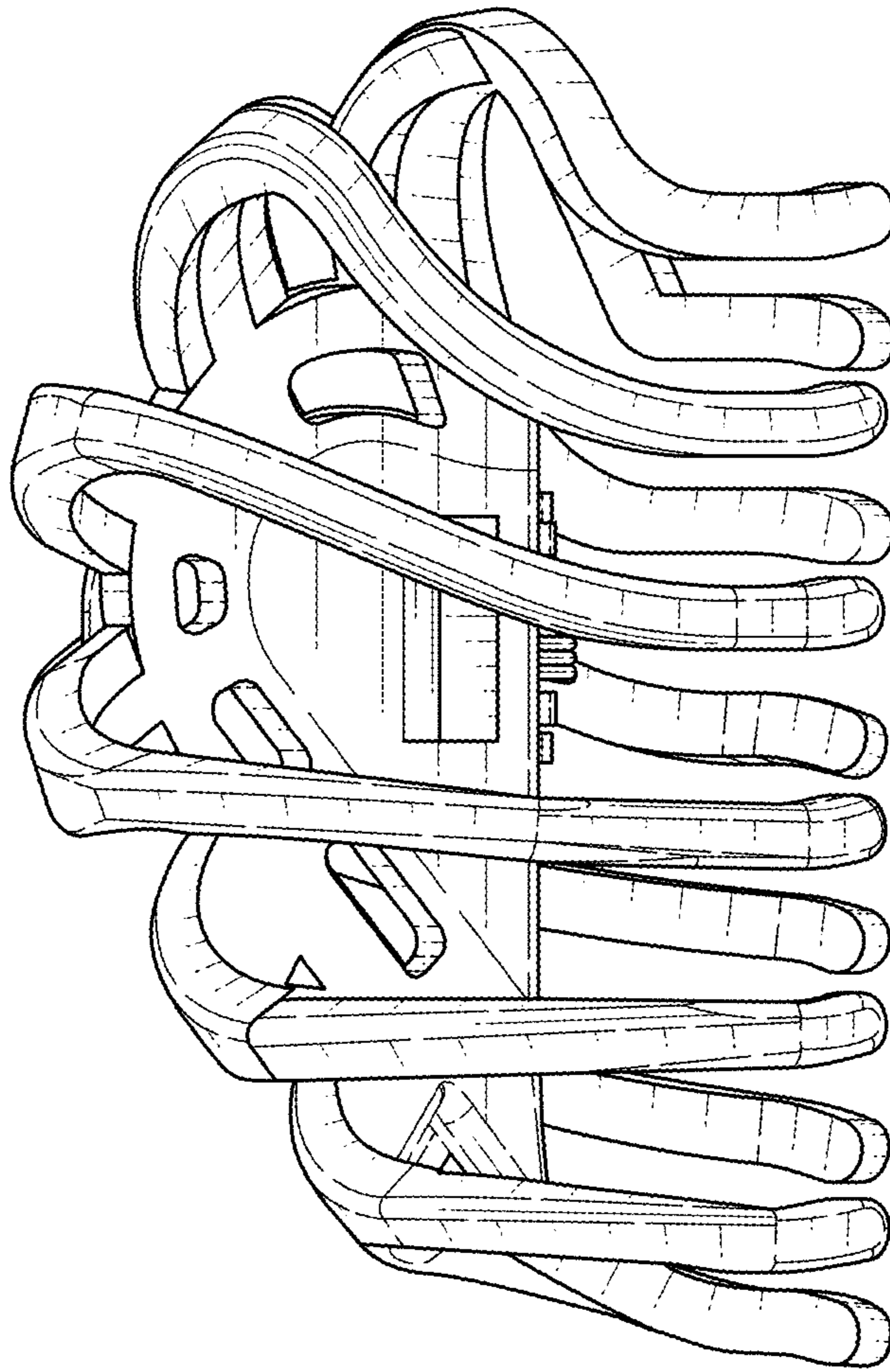


FIG. 11

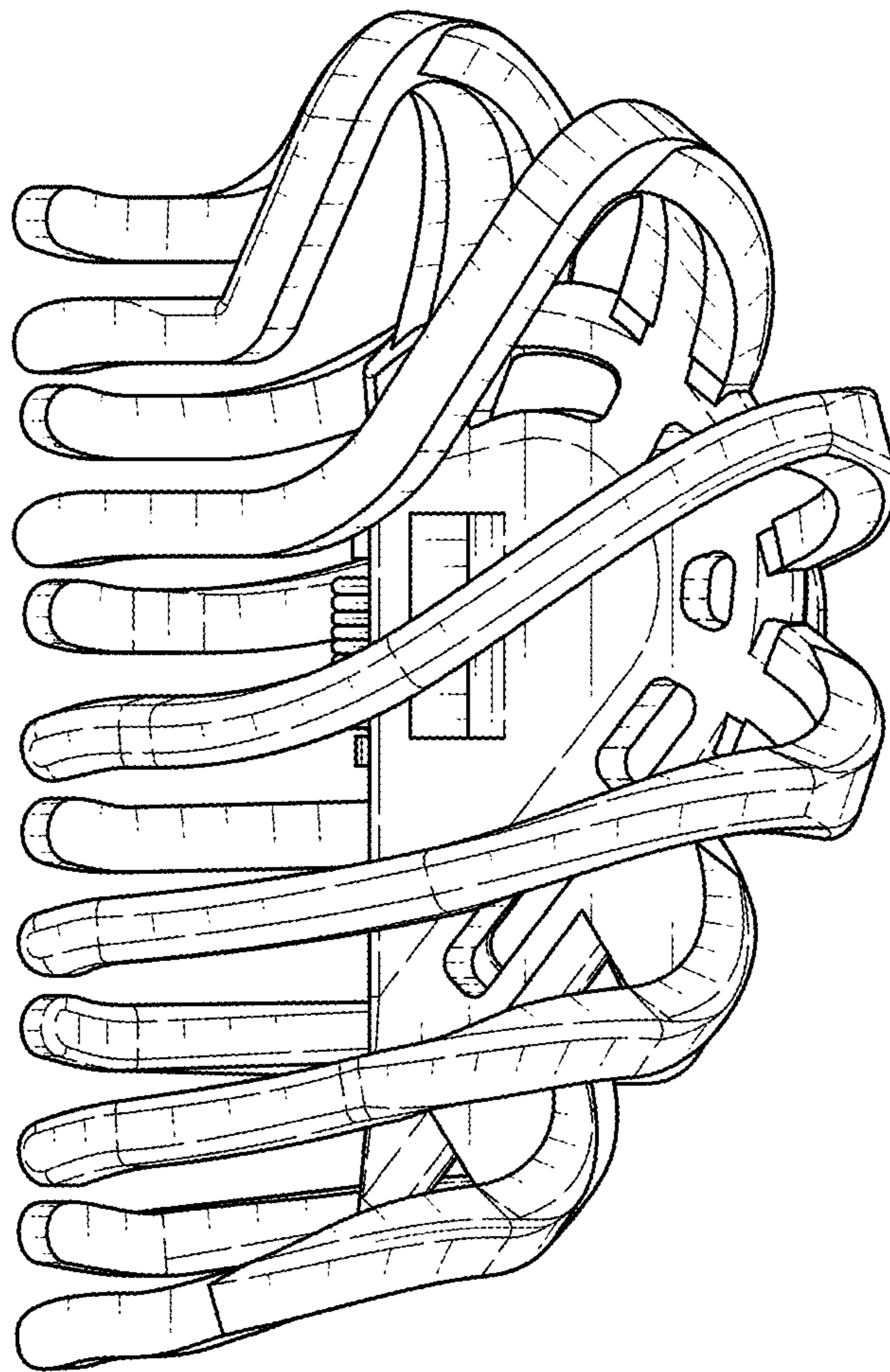


FIG. 12

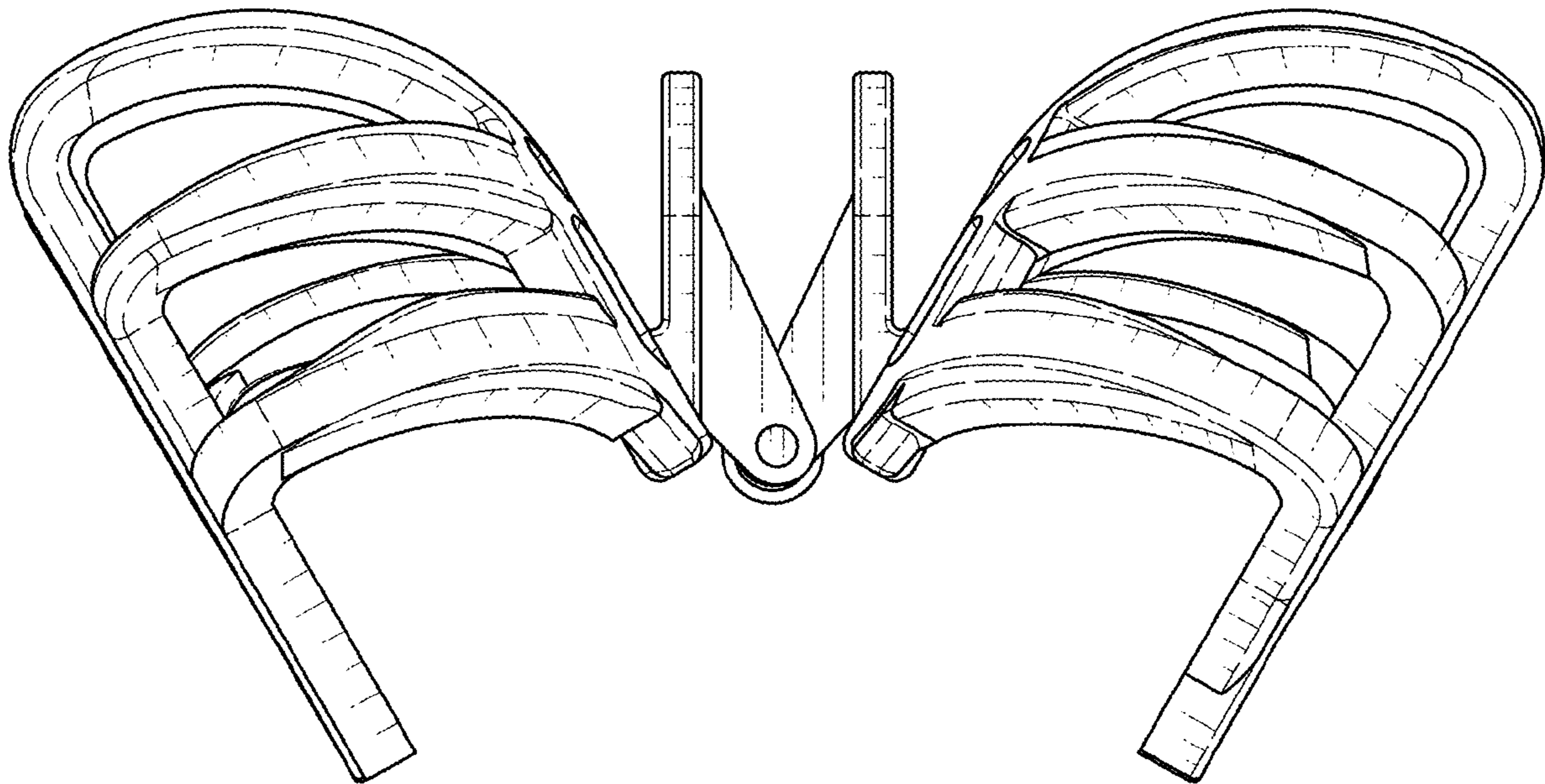


FIG. 13

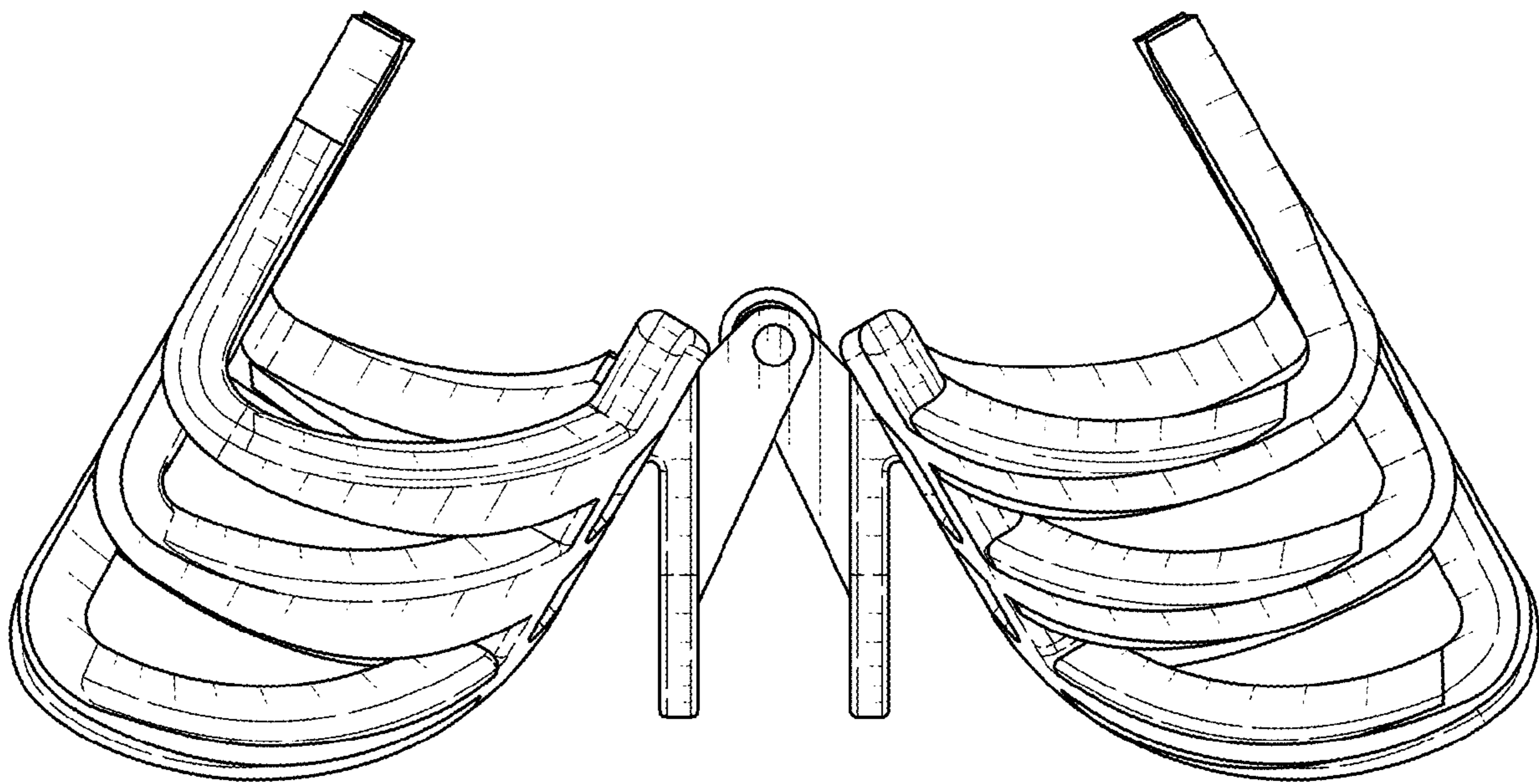


FIG. 14