



US00D898995S

(12) **United States Design Patent**  
**Jung**

(10) **Patent No.:** **US D898,995 S**

(45) **Date of Patent:** **\*\* Oct. 13, 2020**

(54) **APPLICATOR FOR COSMETICS**

D541,979 S \* 5/2007 Montoli ..... D28/7

8,834,052 B2 \* 9/2014 Kim ..... A45D 40/26

132/317

D742,588 S \* 11/2015 Cutler ..... D28/7

D807,580 S \* 1/2018 Nagata ..... D28/7

(71) Applicant: **YONWOO Co., LTD.**, Incheon (KR)

(72) Inventor: **Hyo-Sun Jung**, Incheon (KR)

(73) Assignee: **YONWOO Co., LTD.**, Incheon (KR)

(\*\*) Term: **15 Years**

(21) Appl. No.: **29/692,895**

(22) Filed: **May 29, 2019**

(30) **Foreign Application Priority Data**

Apr. 23, 2019 (KR) ..... 30-2019-0019052

(51) **LOC (12) Cl.** ..... **28-03**

(52) **U.S. Cl.**  
USPC ..... **D28/7**

(58) **Field of Classification Search**  
USPC ..... D28/7, 8, 20-22, 30-31, 76, 85, 99  
CPC ..... A45D 33/12; A45D 40/24; A45D 40/26;  
A45D 40/261

See application file for complete search history.

(56) **References Cited**

**U.S. PATENT DOCUMENTS**

D503,229 S \* 3/2005 Davis ..... A61M 35/003

D24/119

D537,564 S \* 2/2007 Montoli ..... D28/7

\* cited by examiner

*Primary Examiner* — Zenia I Bennett

(74) *Attorney, Agent, or Firm* — Patentfile, LLC; Bradley C. Fach

(57) **CLAIM**

The ornamental design for an applicator for cosmetics, as shown and described.

**DESCRIPTION**

FIG. 1 is a perspective view showing the new, original, and ornamental design of an applicator for cosmetics;

FIG. 2 is a front elevation view thereof;

FIG. 3 is a back elevation view thereof;

FIG. 4 is a left elevation view thereof;

FIG. 5 is a right elevation view thereof;

FIG. 6 is a top plan view thereof;

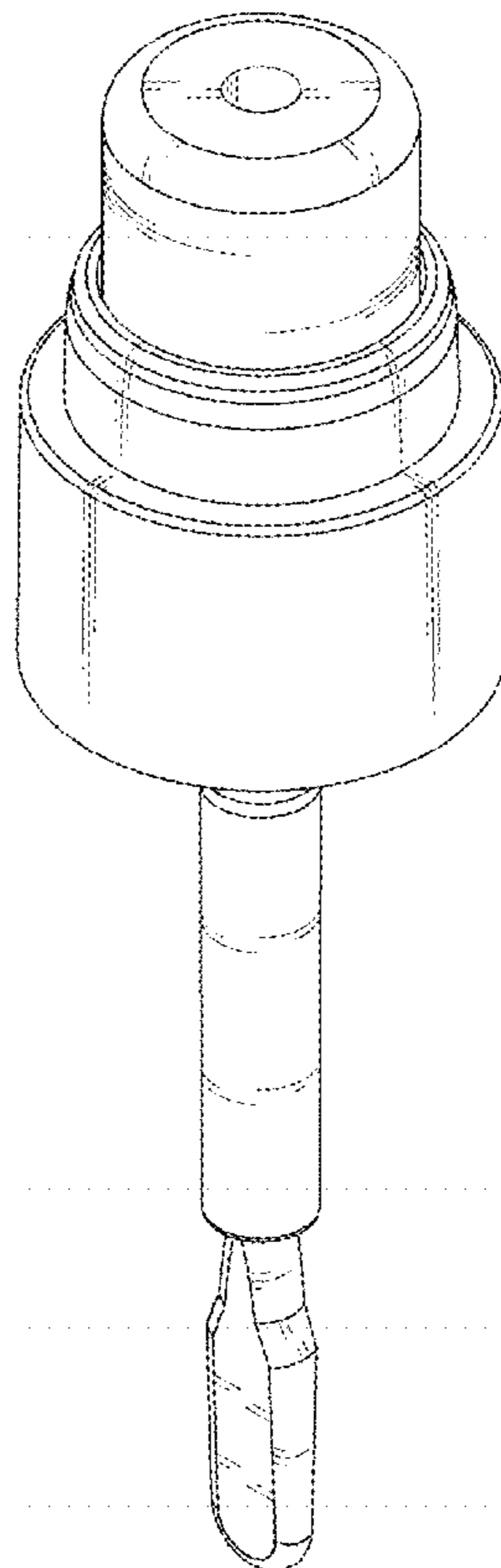
FIG. 7 is a bottom plan view thereof;

FIG. 8 is a perspective view showing just a top portion thereof; and,

FIG. 9 is a perspective view thereof.

The broken lines shown in FIGS. 8-9 represent environmental subject matter and form no part of the claimed design.

**1 Claim, 9 Drawing Sheets**



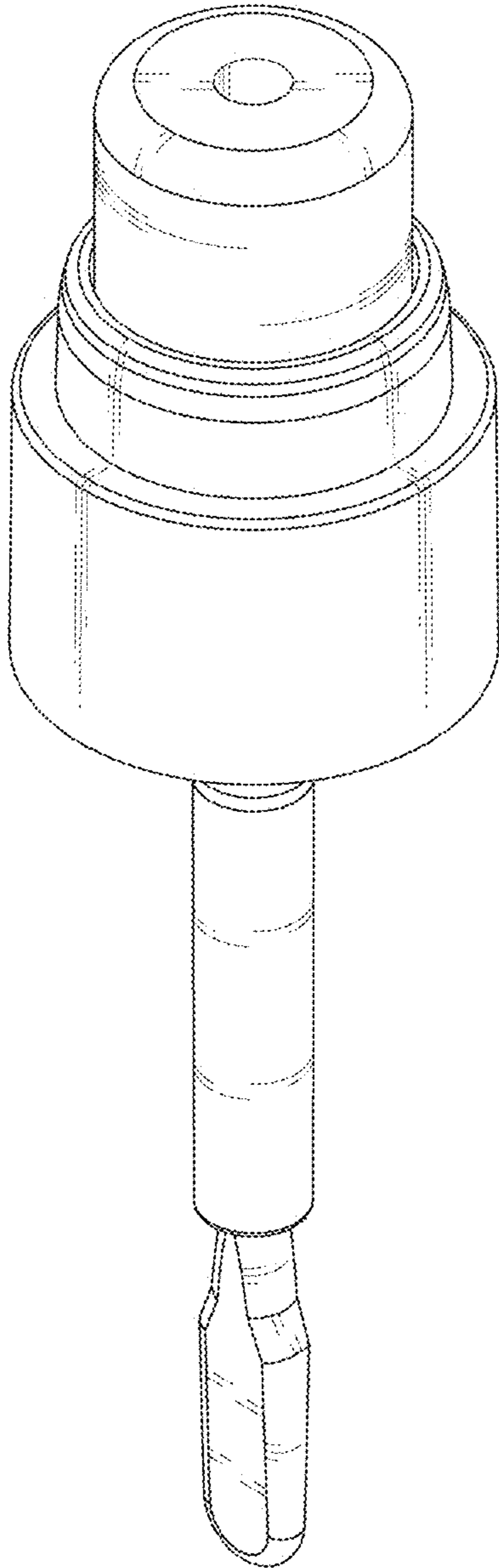


FIG. 1

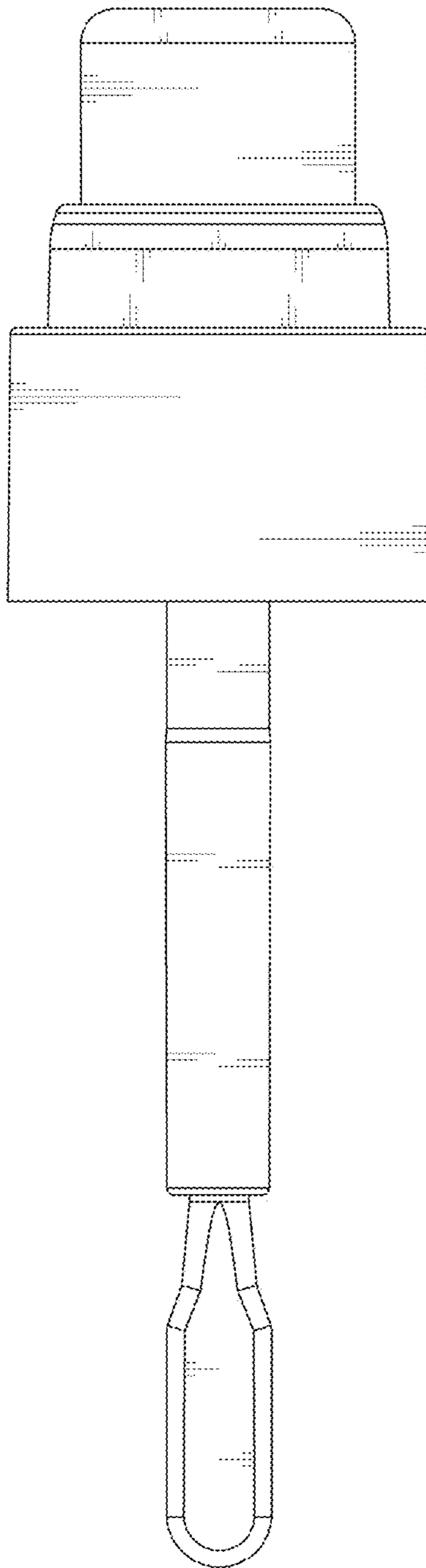


FIG. 2

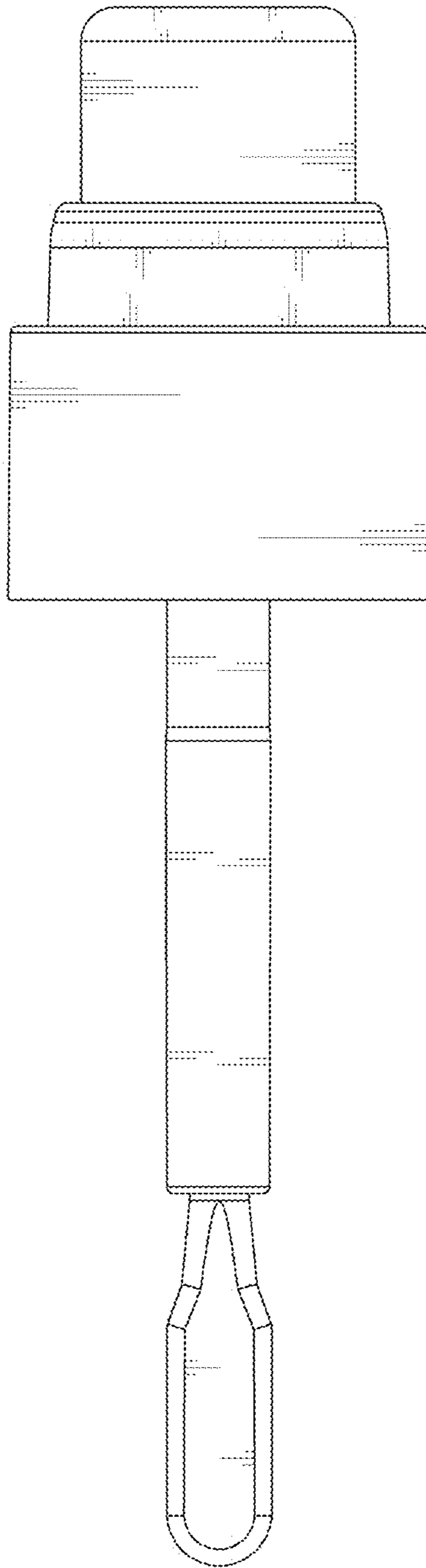


FIG. 3

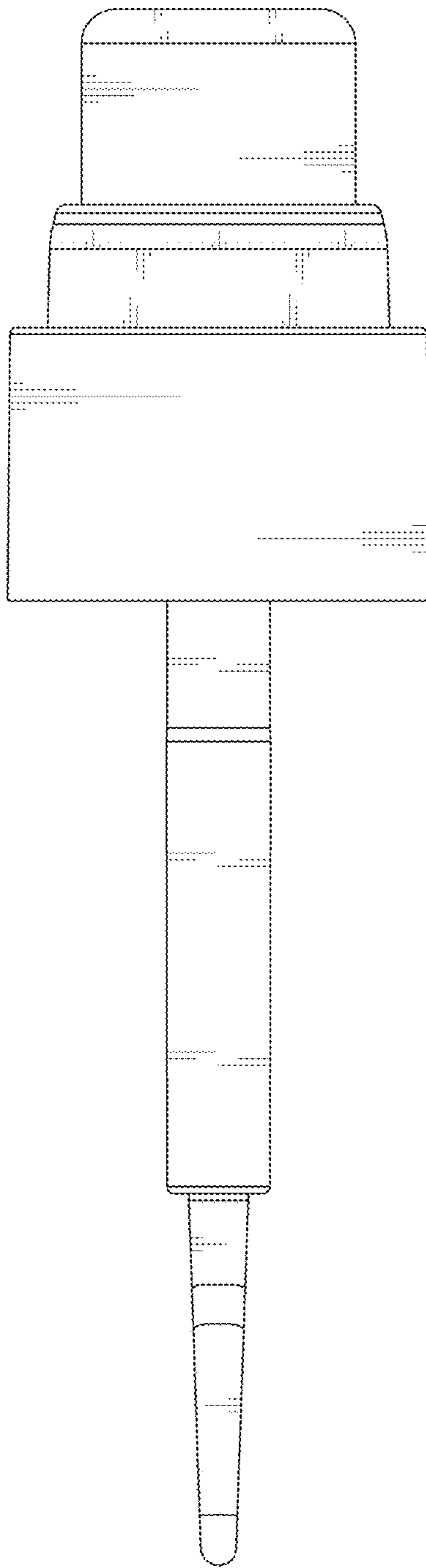


FIG. 4

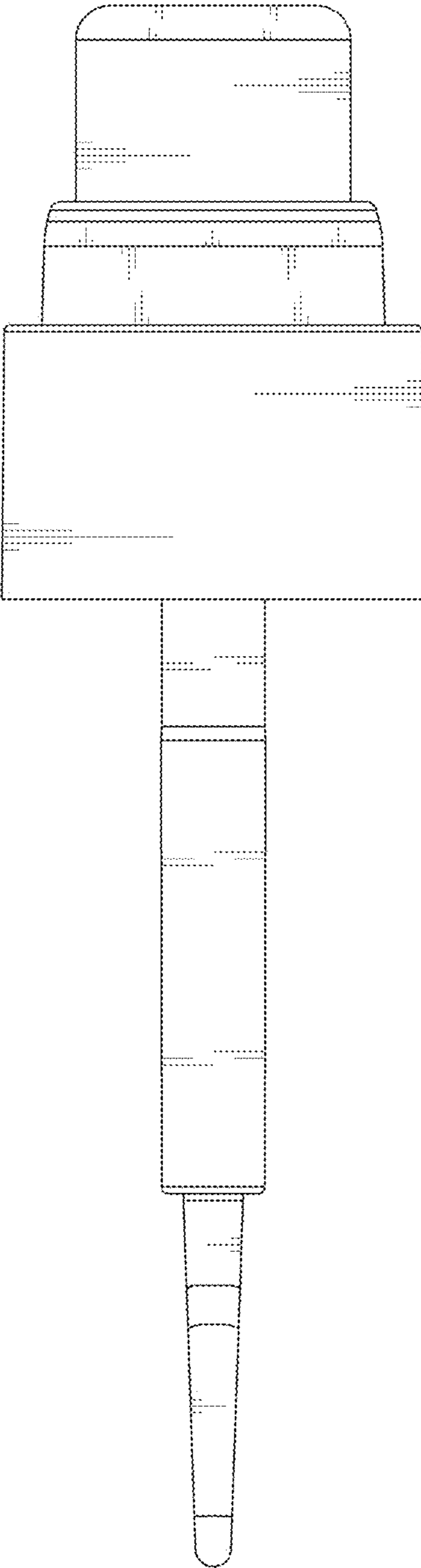


FIG. 5

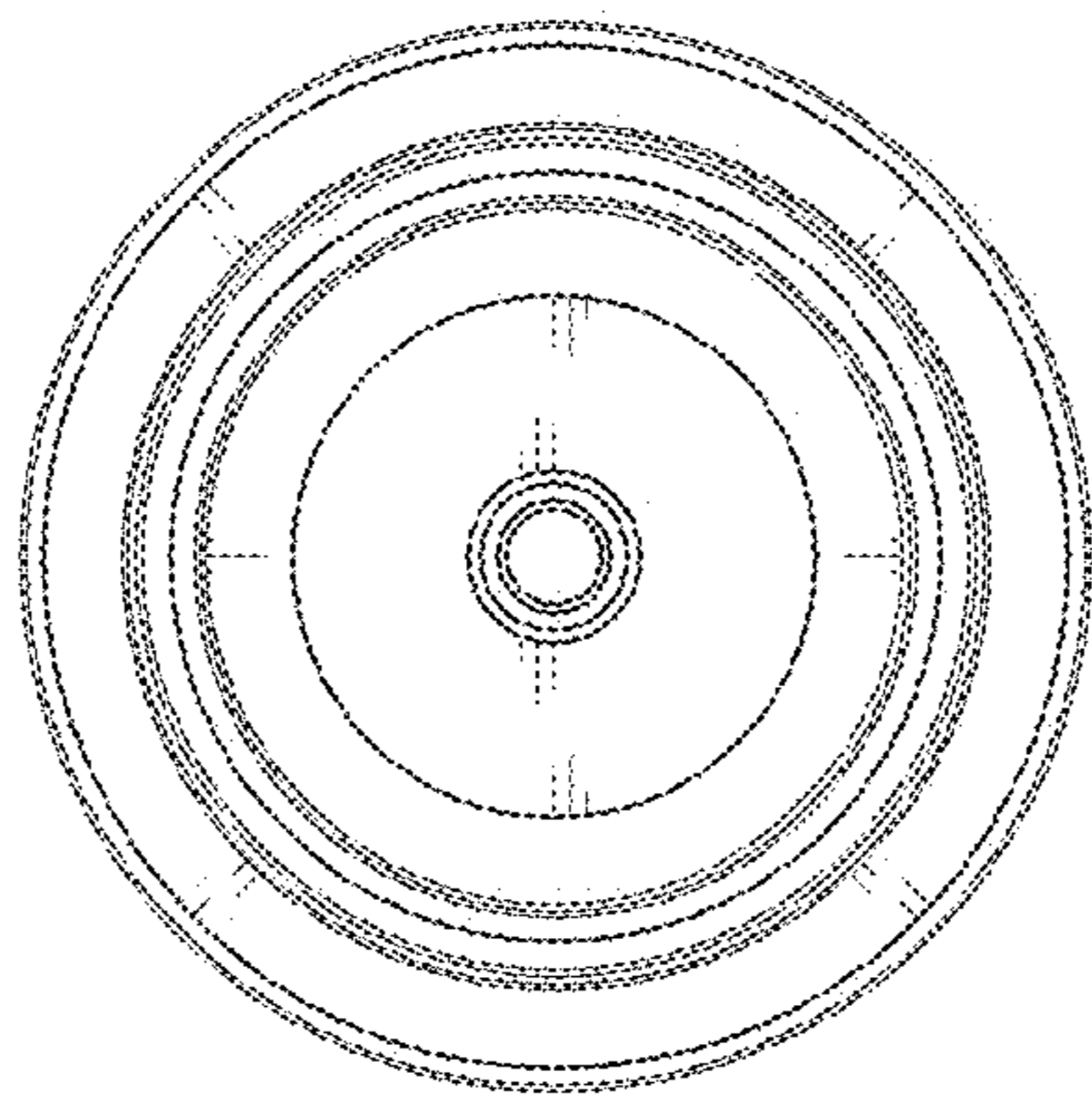


FIG. 6

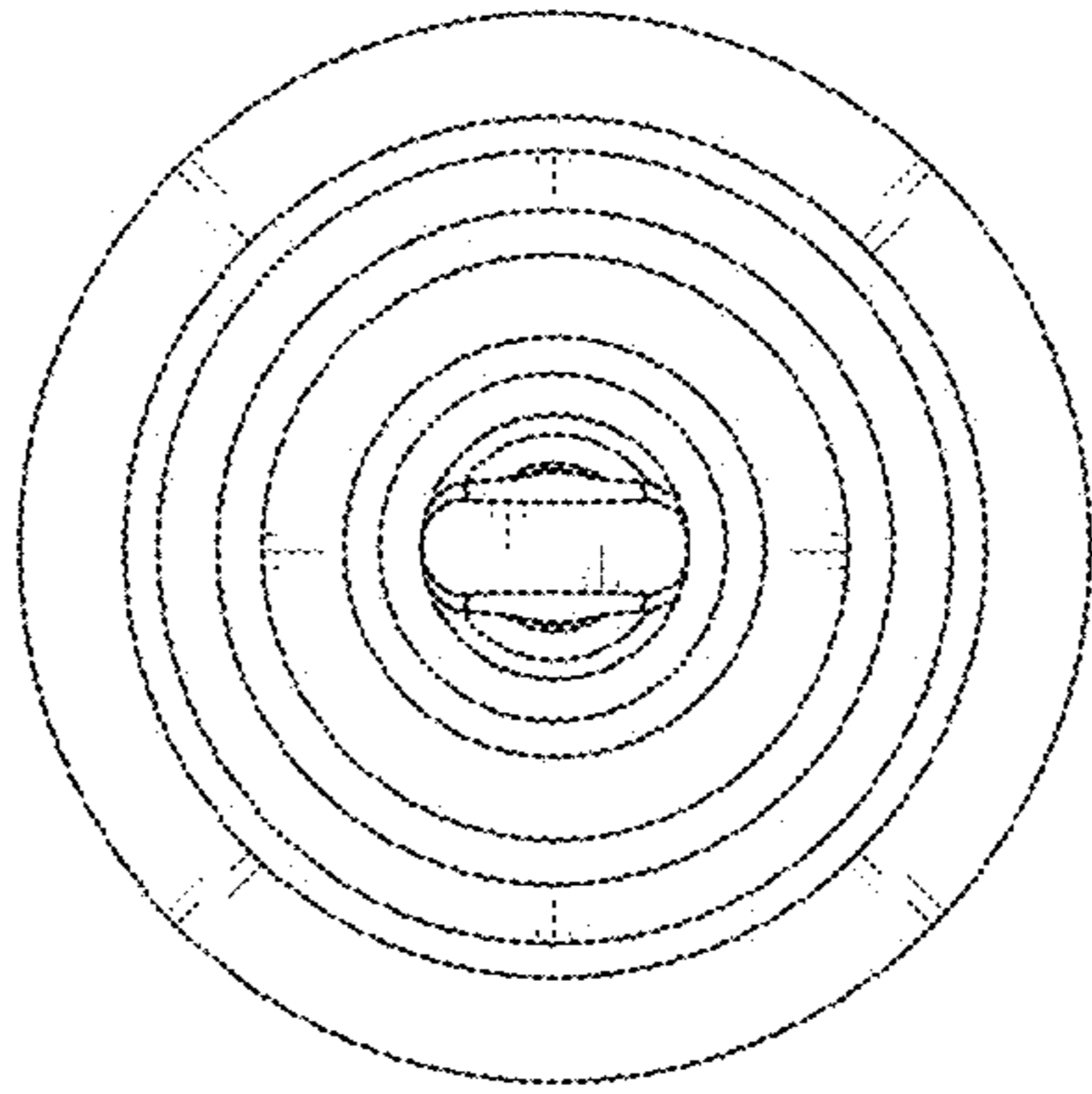


FIG. 7



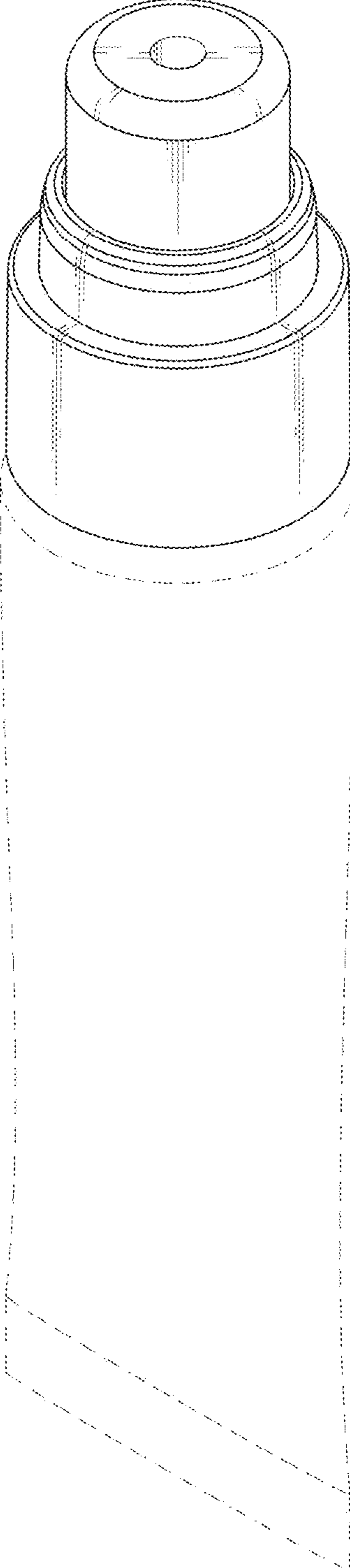


FIG. 8

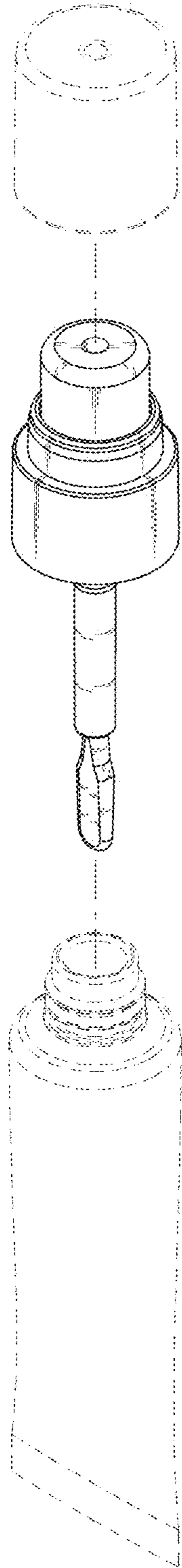


FIG. 9