



US00D898994S

(12) **United States Design Patent** (10) **Patent No.:** **US D898,994 S**  
**Greger et al.** (45) **Date of Patent:** **\*\* Oct. 13, 2020**

(54) **CIGARETTE FILTER**  
(71) Applicant: **Dubi GmbH**, Salzburg (AT)  
(72) Inventors: **Florian Greger**, Salzburg (AT); **David Breitfuss**, Salzburg (AT)  
(\*\*) Term: **15 Years**  
(21) Appl. No.: **35/507,300**  
(22) Filed: **Feb. 20, 2019**

D738,567 S \* 9/2015 Tucker ..... D27/101  
D767,820 S \* 9/2016 Jordan ..... D27/170  
D770,086 S \* 10/2016 Tucker ..... D27/101  
D779,725 S \* 2/2017 Bramley ..... D27/170  
D780,993 S \* 3/2017 Bramley ..... D27/170  
D782,108 S \* 3/2017 Jordan ..... D27/167  
D802,207 S \* 11/2017 Bramley ..... D27/170  
D818,078 S \* 5/2018 Zhang ..... D22/122  
D821,028 S \* 6/2018 Tucker ..... D27/101  
D834,743 S \* 11/2018 Tucker ..... D27/101  
D841,231 S \* 2/2019 Hawes ..... D27/170  
D852,410 S \* 6/2019 Hawes ..... D27/162

(Continued)

*Primary Examiner* — Natasha Vujcic

(80) **Hague Agreement Data**  
Int. Filing Date: **Feb. 20, 2019**  
Int. Reg. No.: **DM/202366**  
Int. Reg. Date: **Feb. 20, 2019**  
Int. Reg. Pub. Date: **Aug. 23, 2019**

(57) **CLAIM**

We claim, The ornamental design for a cigarette filter, as shown and described.

**DESCRIPTION**

(30) **Foreign Application Priority Data**  
Sep. 6, 2018 (EM) ..... 005630498  
(51) **LOC (12) Cl.** ..... **27-02**  
(52) **U.S. Cl.**  
USPC ..... **D27/170**  
(58) **Field of Classification Search**  
USPC ..... D27/100, 101, 162, 170, 175, 183, 186,  
D27/187, 189, 193, 194  
CPC ..... A24F 48/008; A24F 48/002; A24F 15/00;  
A24F 15/18; A24F 13/02; A24F 13/06  
See application file for complete search history.

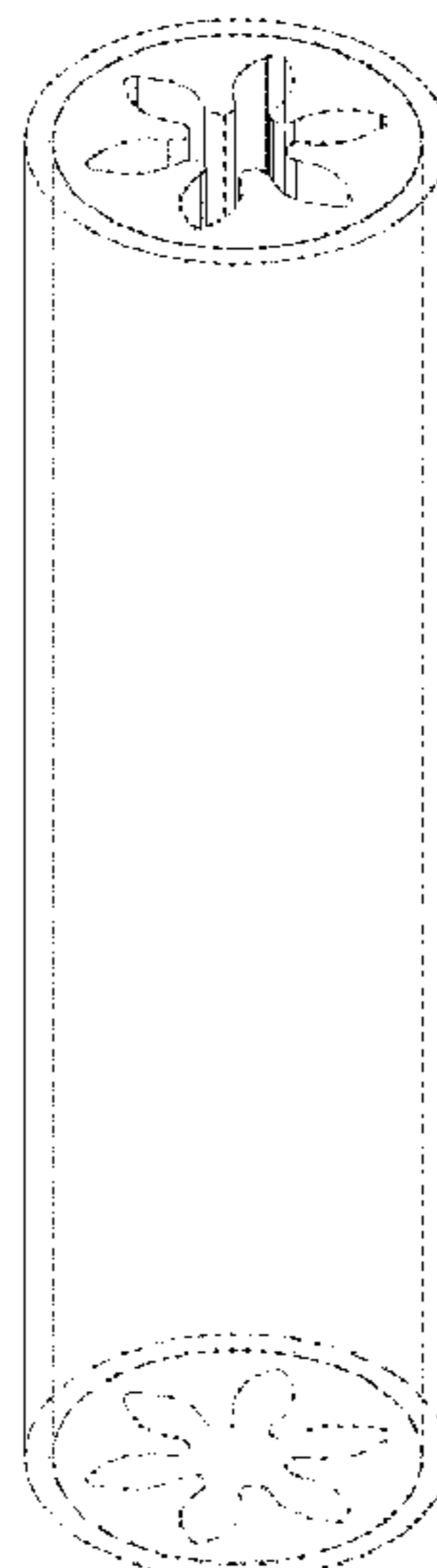
- 1.-2. Cigarette filter
- 3.-4. Front part of cigarette filter
- 1.1 : Perspective
- 1.2 : Perspective
- 1.3 : Front
- 2.1 : Perspective
- 2.2 : Perspective
- 2.3 : Front
- 3.1 : Perspective
- 3.2 : Front
- 4.1 : Perspective
- 4.2 : Front

Designs 1 and 2 relate to a cigarette filter and designs 3 and 4 relate to a front side of a cigarette filter; the designs show the shape of an air opening provided in an end cap of the cigarette filter; for designs 1 and 3, the shape of the air opening resembles to a flower with six petals; for designs 2 and 4, the shape of the air opening resembles to a leaf with seven regularly arranged lobes.

The broken lines in the drawings illustrate portions of the cigarette filter which forms no part of the claimed design.

**1 Claim, 12 Drawing Sheets**

(56) **References Cited**  
U.S. PATENT DOCUMENTS  
3,587,573 A \* 6/1971 Flack ..... A61M 15/06  
128/203.21  
3,720,235 A \* 3/1973 Schrock ..... F16L 11/121  
138/137  
D254,930 S \* 5/1980 Mandon ..... D23/369  
D641,464 S \* 7/2011 De Haan ..... D23/366  
D691,766 S \* 10/2013 Tucker ..... D27/170



(56)

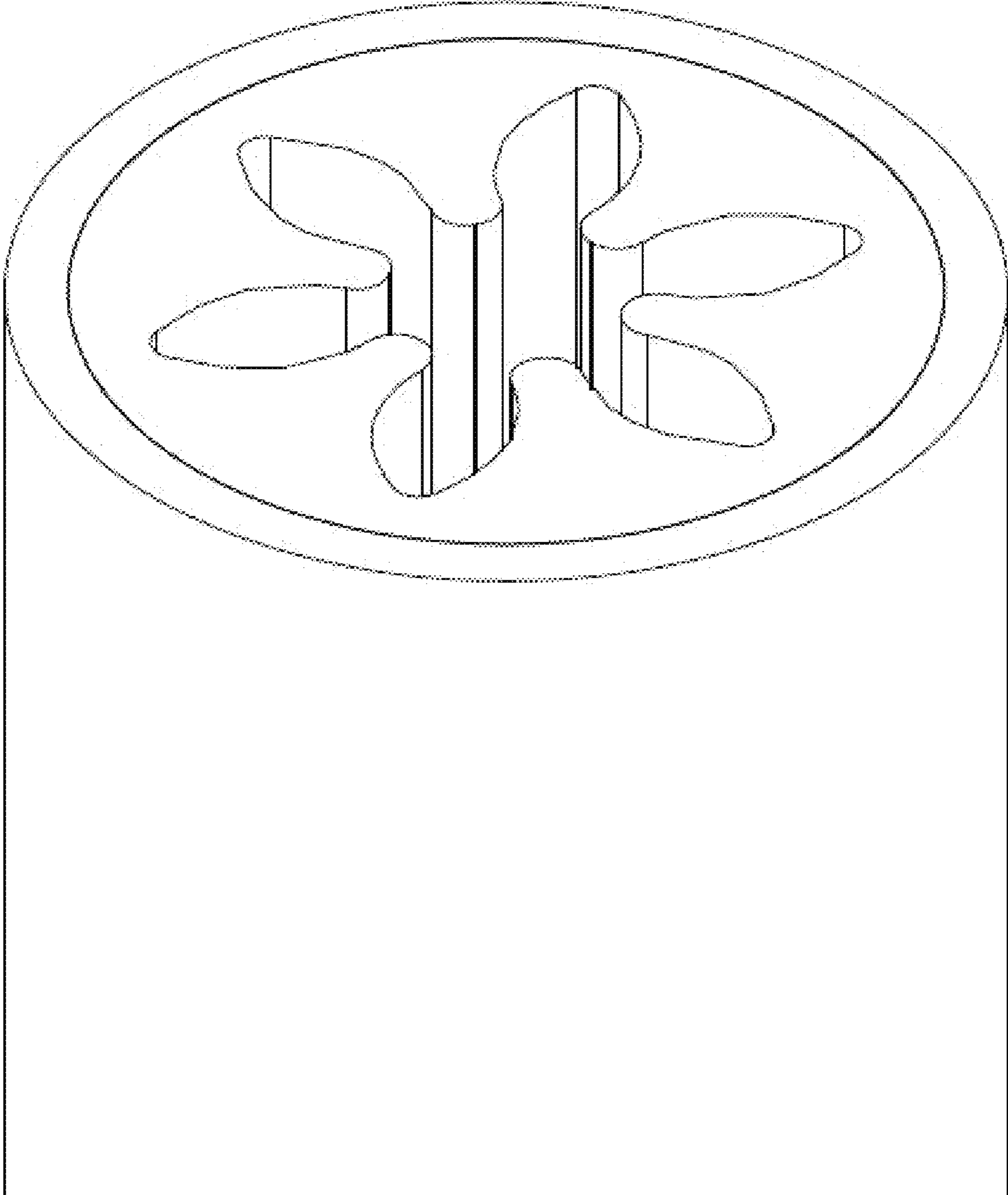
**References Cited**

U.S. PATENT DOCUMENTS

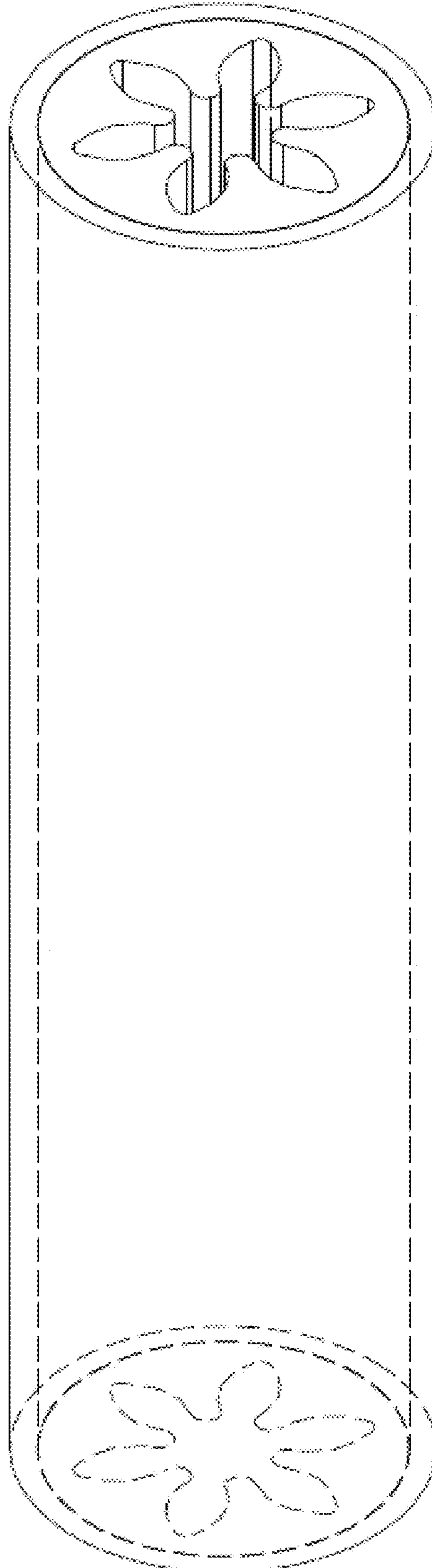
D865,151 S \* 10/2019 Brandenburg ..... D23/366  
D873,480 S \* 1/2020 Hawes ..... D27/170

\* cited by examiner

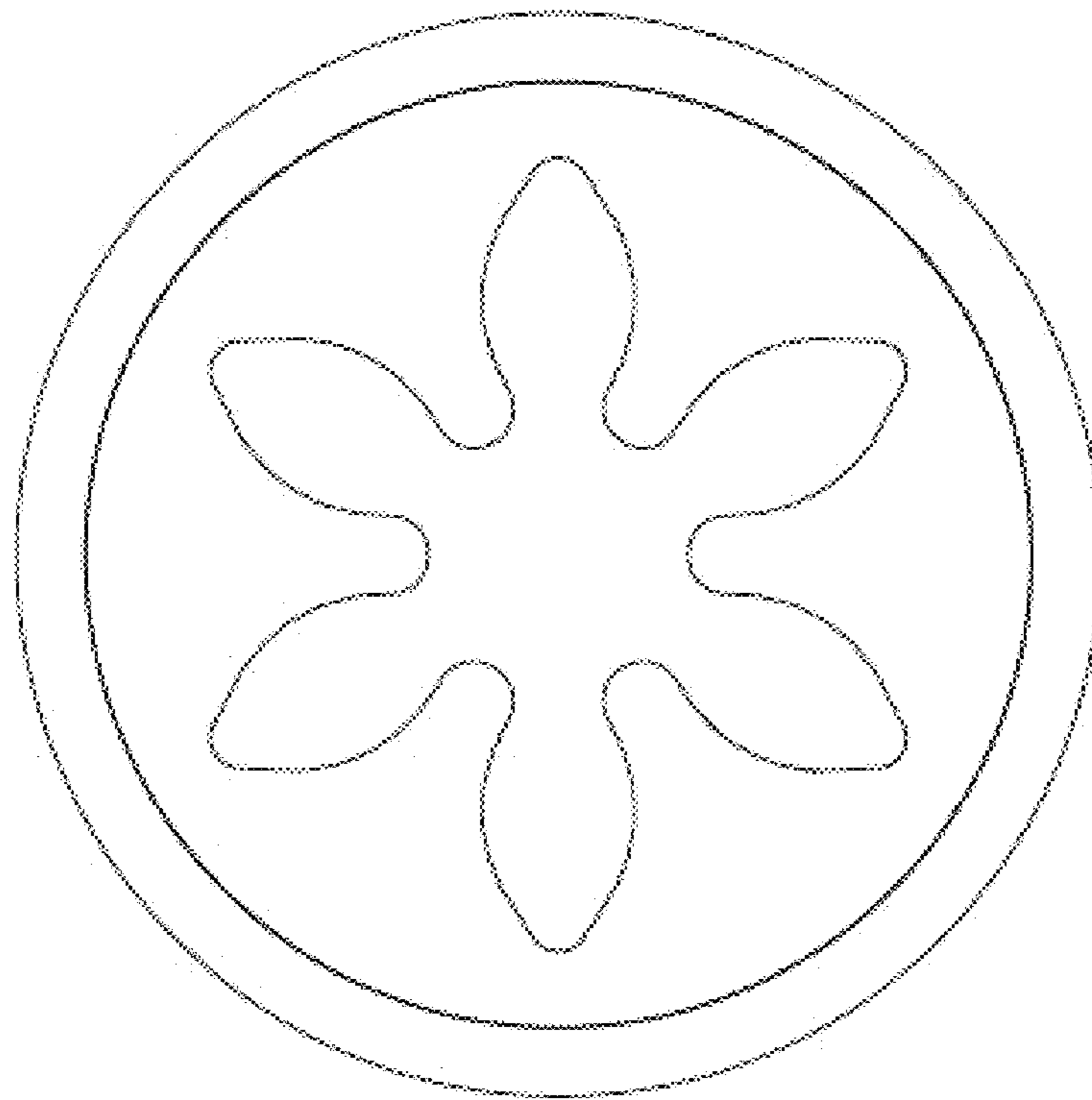
**1.1**



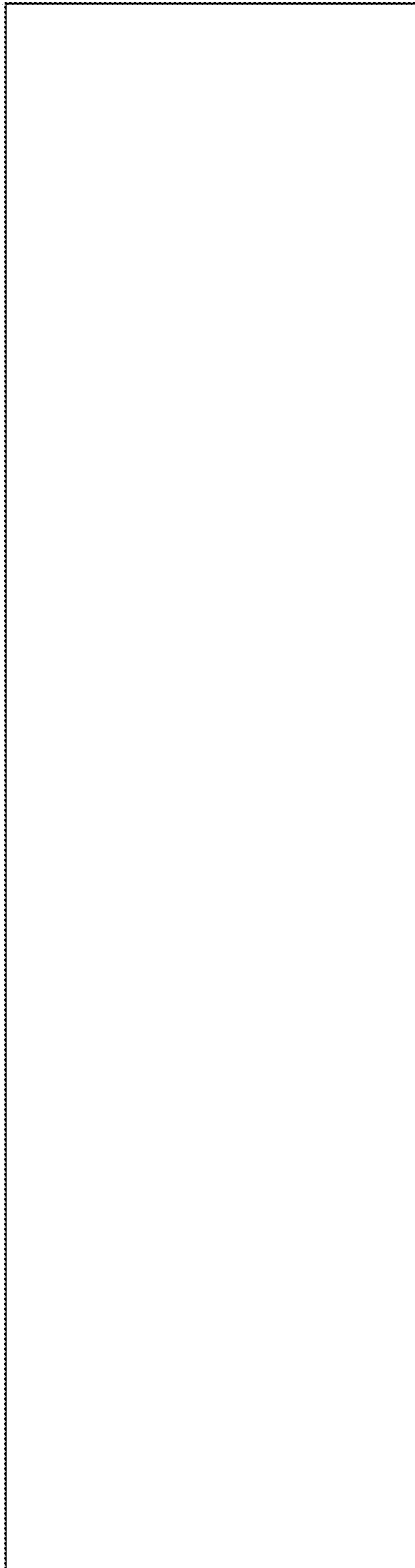
# 1.2



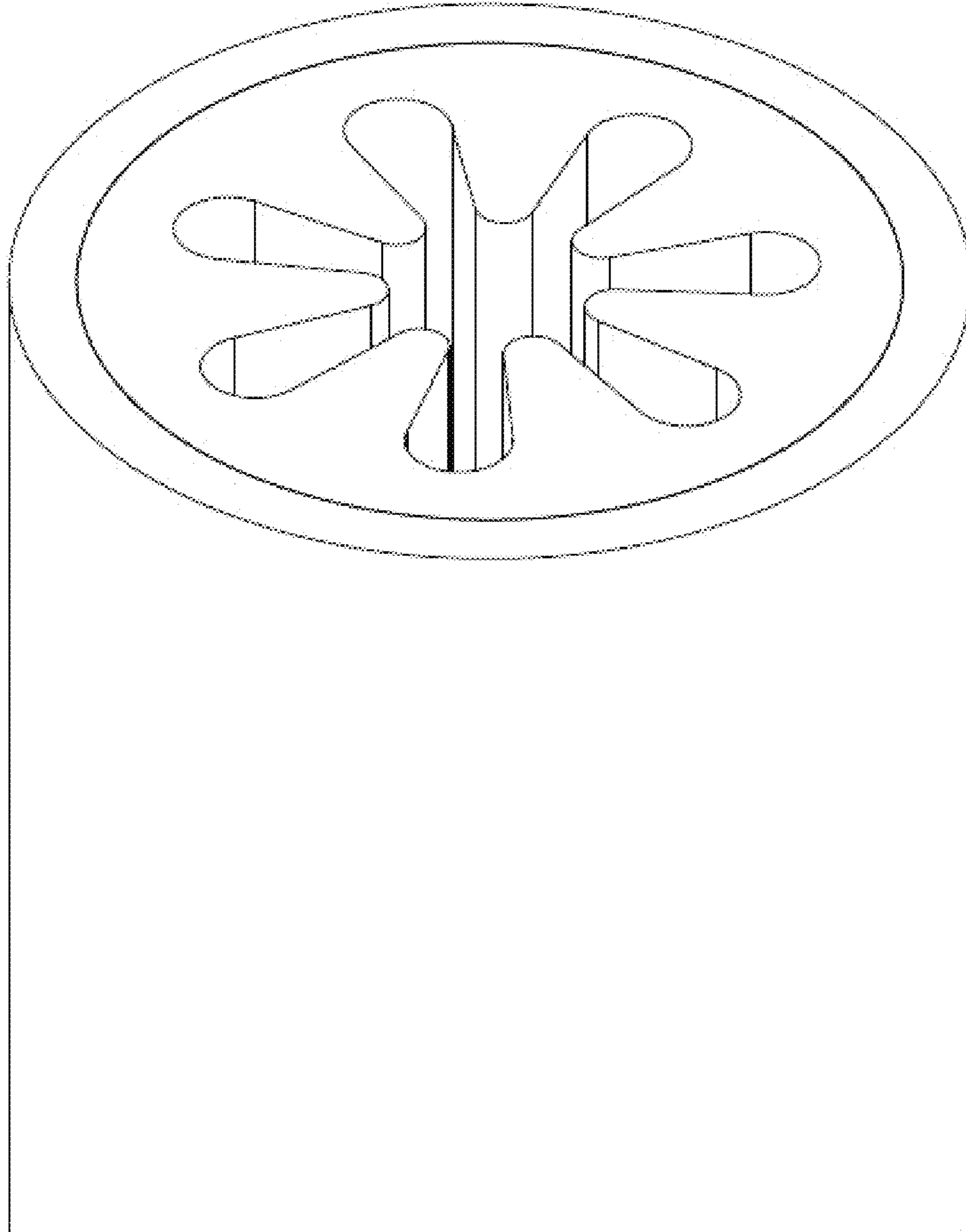
**1.3**



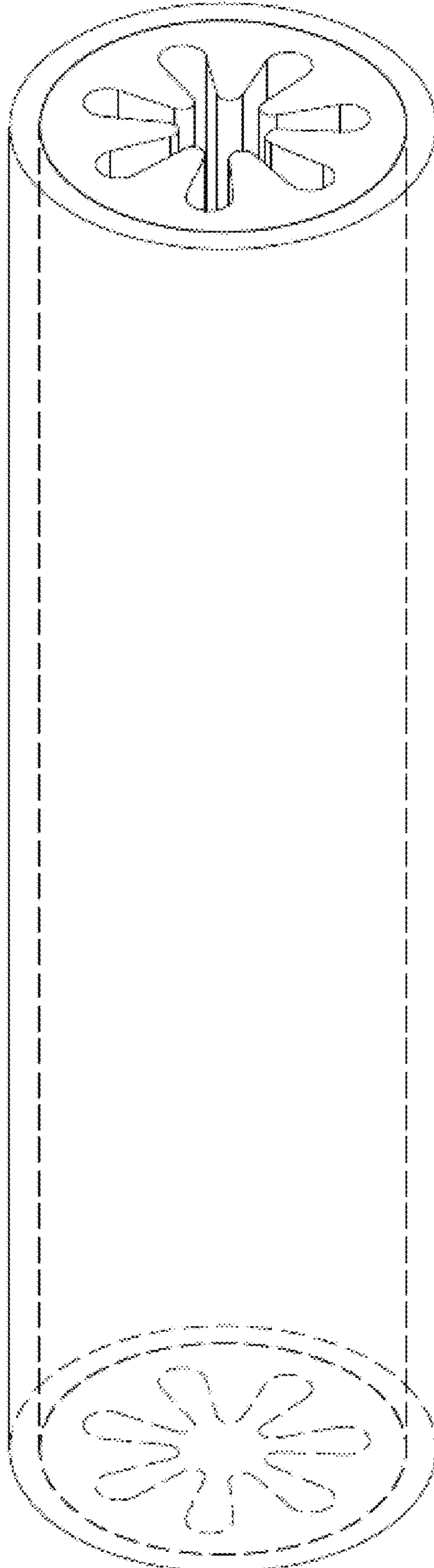
**1.4**



# 2.1

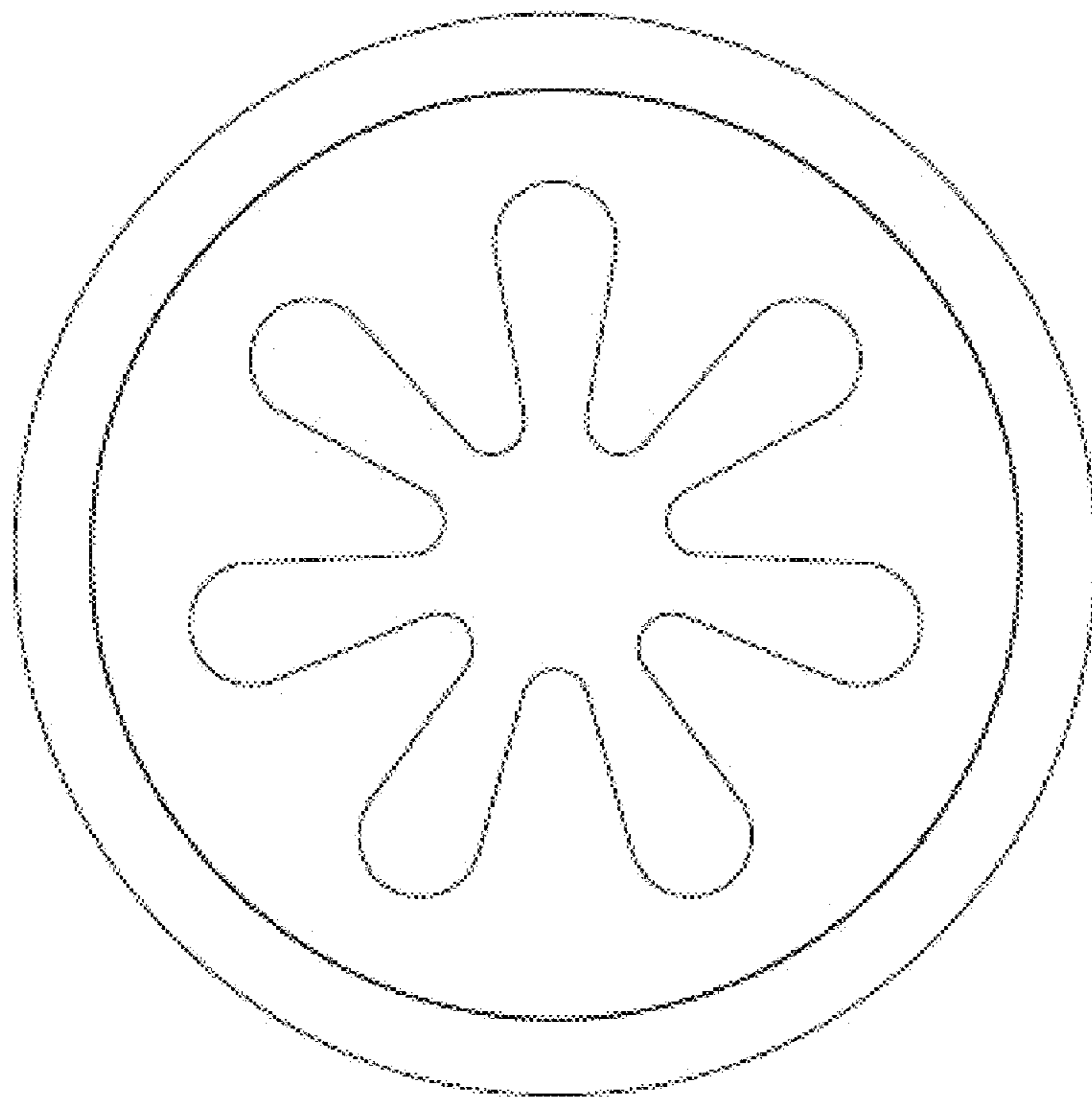


# 2.2





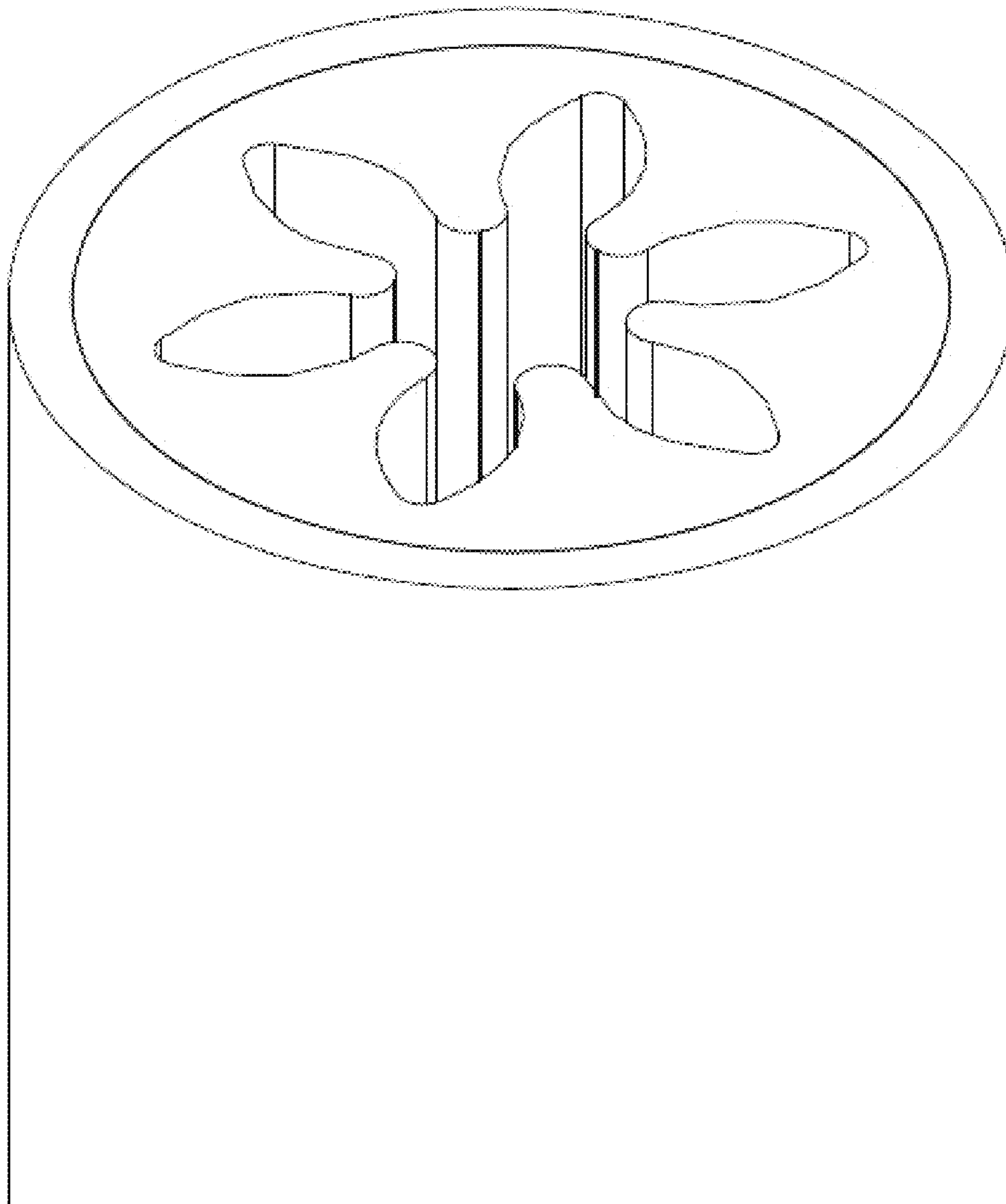
# 2.3



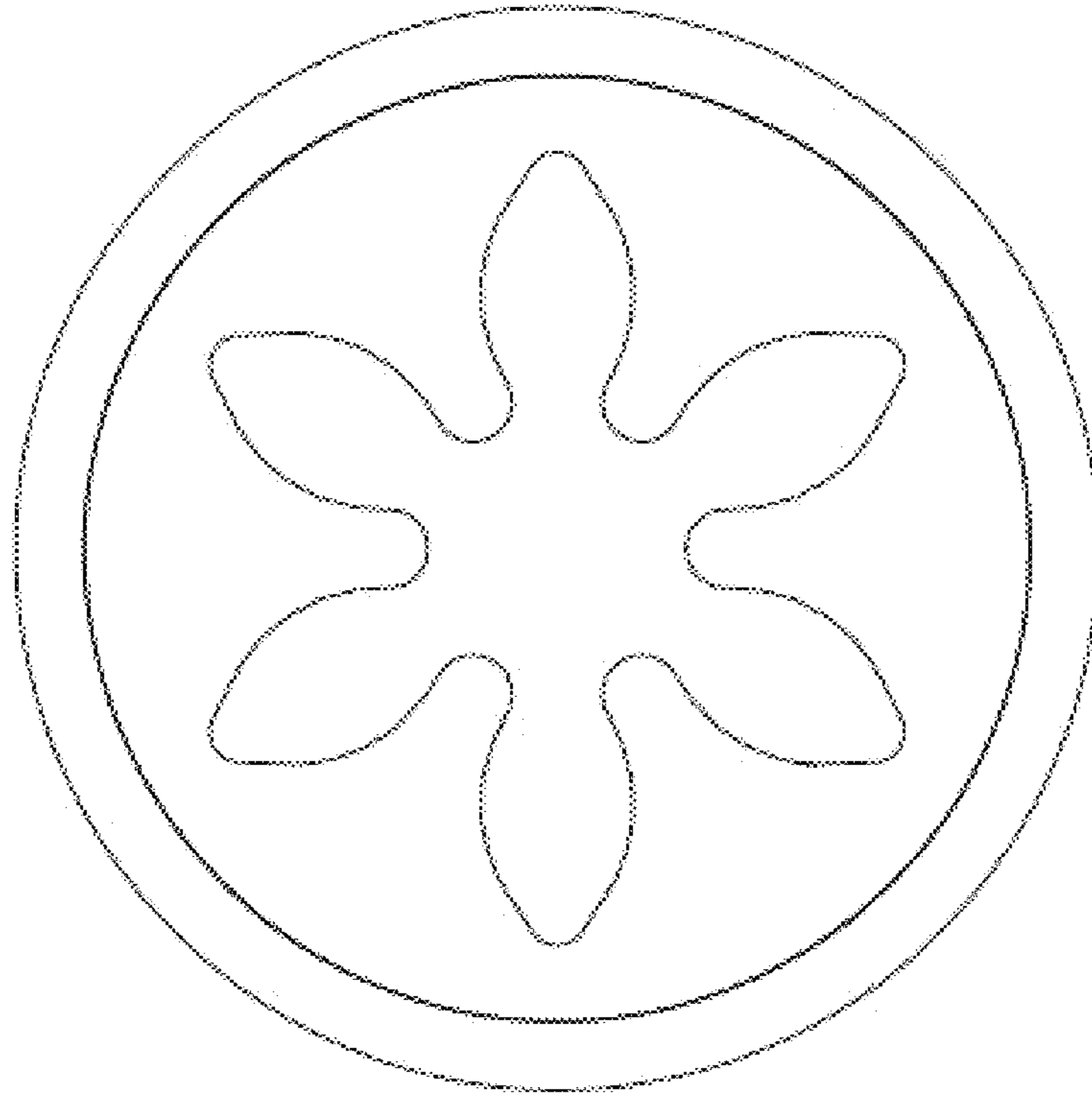
# 2.4



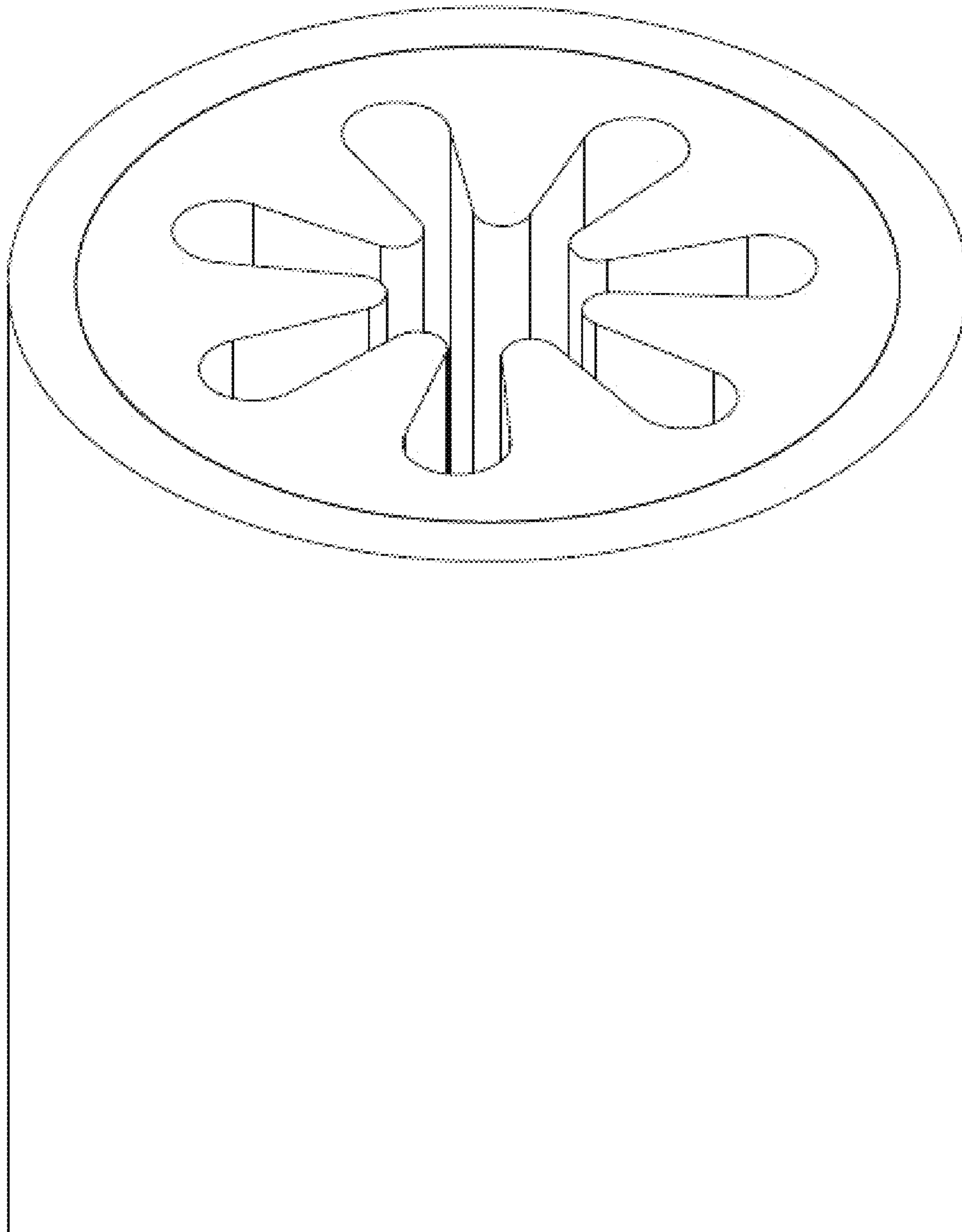
# 3.1



# 3.2



# 4.1



**4.2**

