



US00D898993S

(12) **United States Design Patent** (10) **Patent No.:** **US D898,993 S**
Li (45) **Date of Patent:** **** Oct. 13, 2020**

(54) **ATOMIZER OF ELECTRONIC CIGARETTE**
(71) Applicant: **Shenzhen Smoore Technology Limited**, Shenzhen, Guandong (CN)
(72) Inventor: **Yuanjian Li**, Guandong (CN)
(73) Assignee: **SHENZHEN SMOORE TECHNOLOGY LIMITED**, Shenzhen (CN)

D823,534 S * 7/2018 Chen D27/162
D826,470 S * 8/2018 Huang D27/167
D853,635 S * 7/2019 Chen D27/194
D857,290 S * 8/2019 Crowe D27/162
D861,978 S * 10/2019 Lai D27/167
D867,657 S * 11/2019 Fornarelli D27/194
2016/0295920 A1 * 10/2016 Liu H05B 3/0014
2018/0125413 A1 * 5/2018 Smith, Jr. A61B 5/1115
2019/0159524 A1 * 5/2019 Qiu A24F 47/00

(**) Term: **15 Years**

(21) Appl. No.: **29/675,267**

(22) Filed: **Dec. 30, 2018**

(51) **LOC (12) Cl.** **27-02**

(52) **U.S. Cl.**
USPC **D27/167**

(58) **Field of Classification Search**
USPC D27/162, 167, 100, 101, 106, 108,
D27/163-165, 172, 183, 185-194;
D24/110, 100.5; 128/202.21, 203.12;
131/270, 273, 274, 191, 329, 330,
131/360-365
CPC A24F 47/002; A24F 47/004; A24F 47/006;
A24F 47/008; A61M 15/00; A61M 15/06
See application file for complete search history.

(56) **References Cited**

U.S. PATENT DOCUMENTS

D729,440 S * 5/2015 Liu D27/101
D749,261 S * 2/2016 Chen D27/162
D806,943 S * 1/2018 Liu D27/101
D811,652 S * 2/2018 Liu D27/167
D817,544 S * 5/2018 Chen D27/167

OTHER PUBLICATIONS

<https://www.amazon.co.uk/Electronic-Cigarette-Atomiser-ES-Traders/dp/B076KC7499?th=1> (Mar. 2, 2020).*

* cited by examiner

Primary Examiner — Marissa J Cash
Assistant Examiner — Rebecca Tsehaye

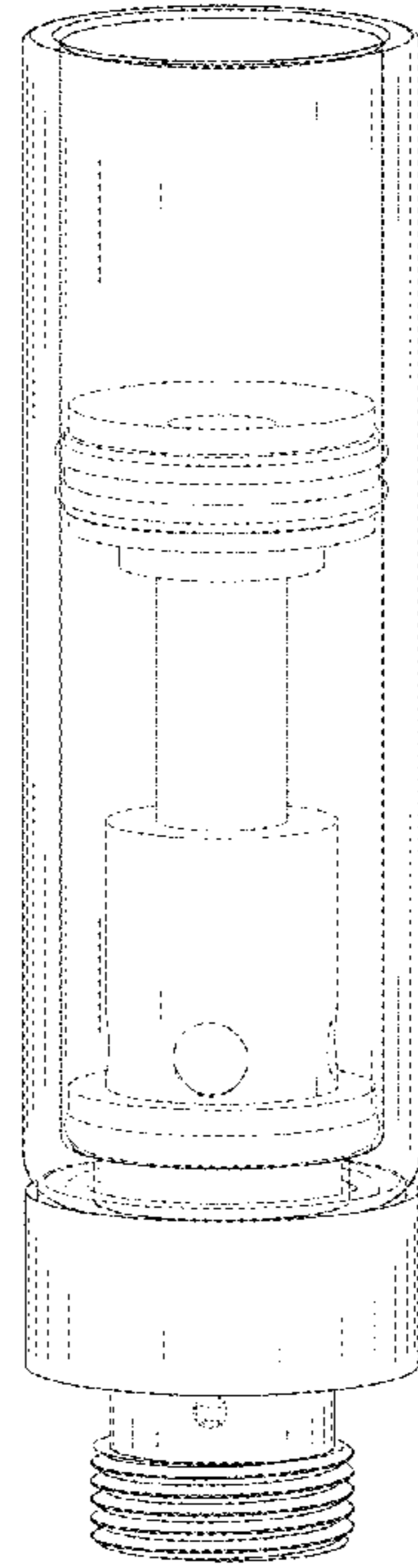
(57) **CLAIM**

The ornamental design for an atomizer of an electronic cigarette, as shown and described.

DESCRIPTION

FIG. 1 is a perspective view of an atomizer of an electronic cigarette showing my new design;
FIG. 2 is another perspective view thereof;
FIG. 3 is a front elevational view thereof;
FIG. 4 is a rear elevational view thereof;
FIG. 5 is a left side elevational view thereof;
FIG. 6 is a right side elevational view thereof;
FIG. 7 is an enlarged top plan view thereof; and,
FIG. 8 is an enlarged bottom plan view thereof.
The broken lines shown in the drawings depict portions of the atomizer of an electronic cigarette that form no part of the claimed design.

1 Claim, 8 Drawing Sheets



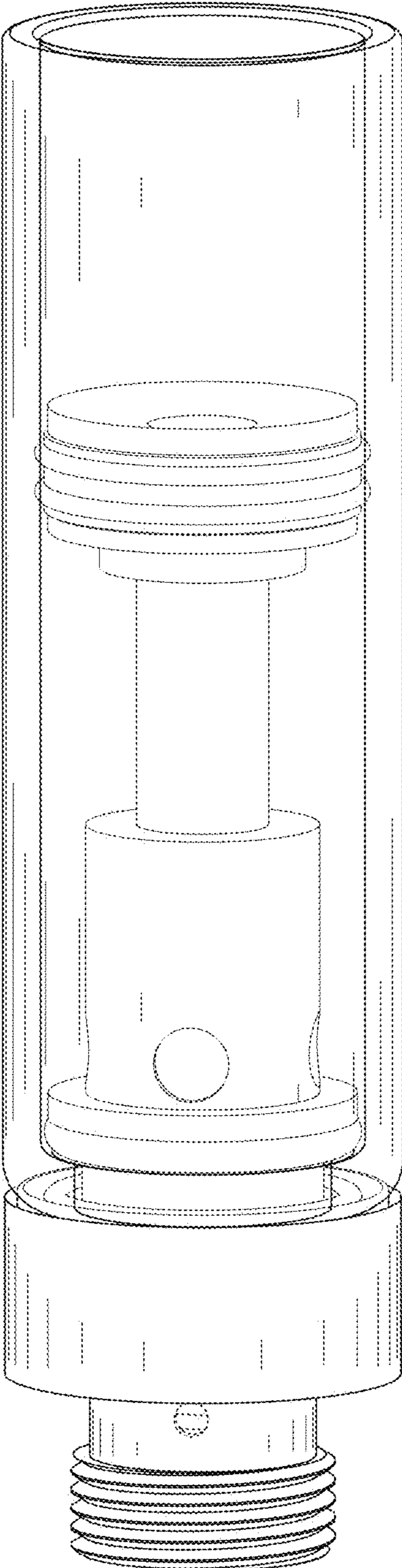


FIG. 1

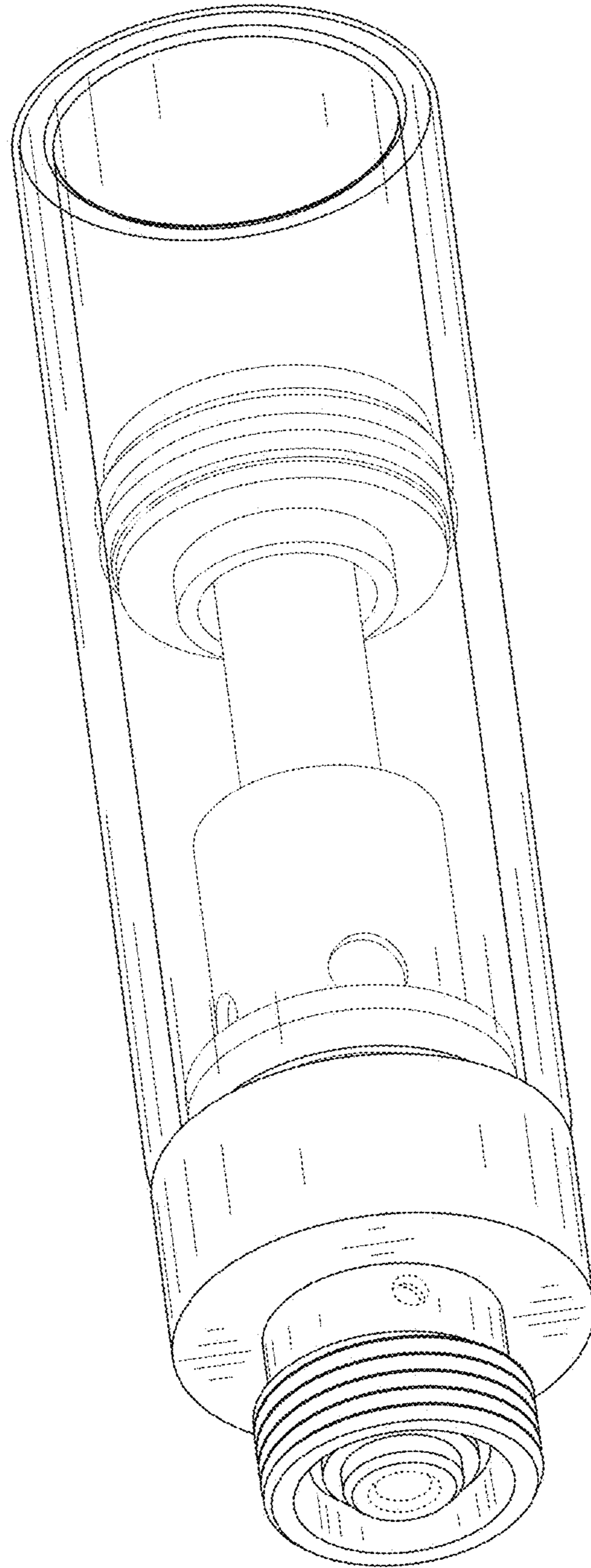


FIG. 2

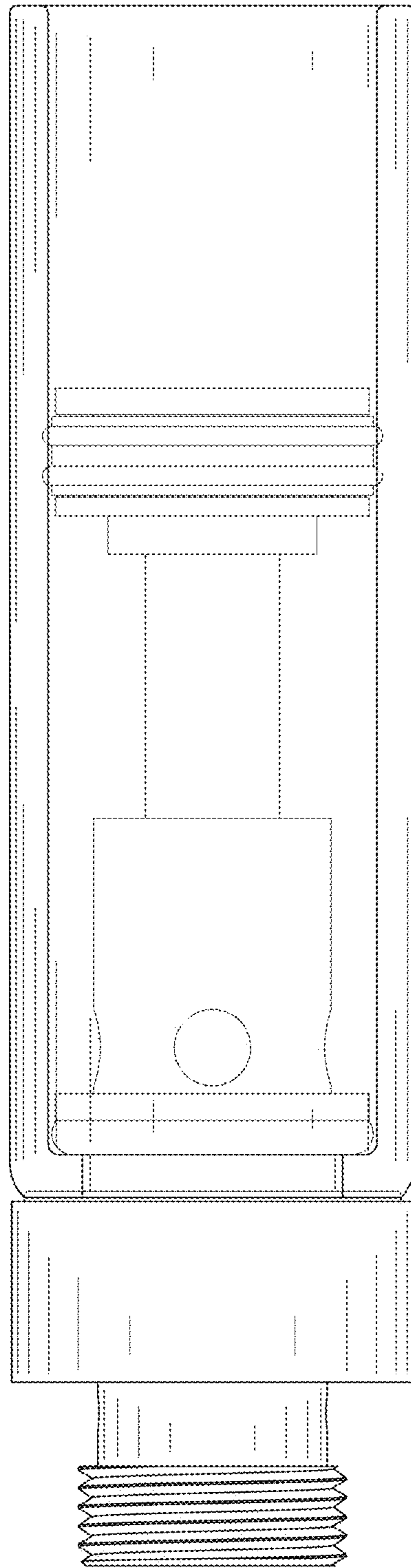


FIG. 3

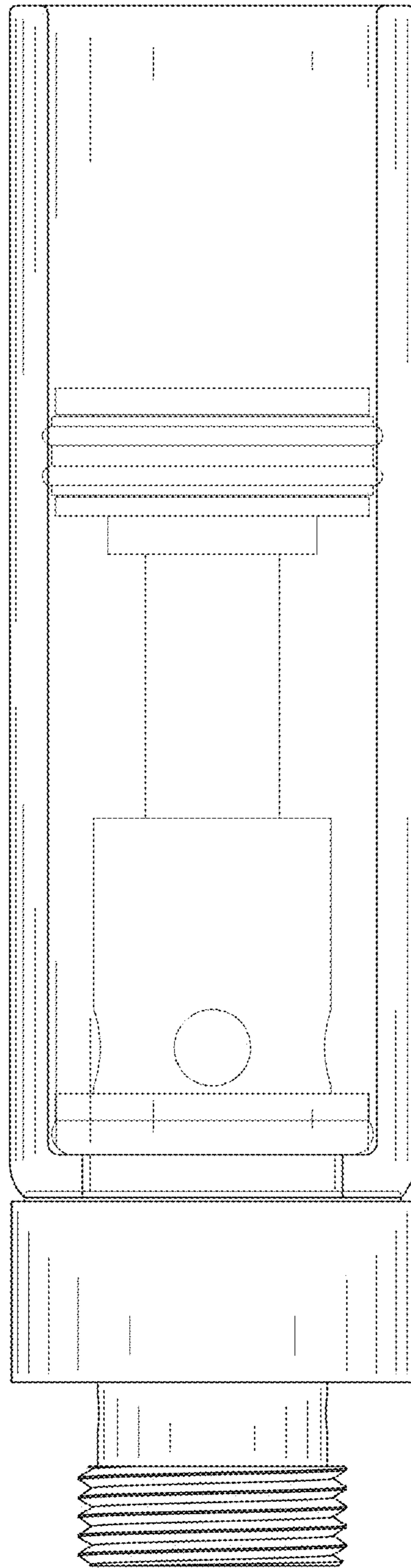


FIG. 4

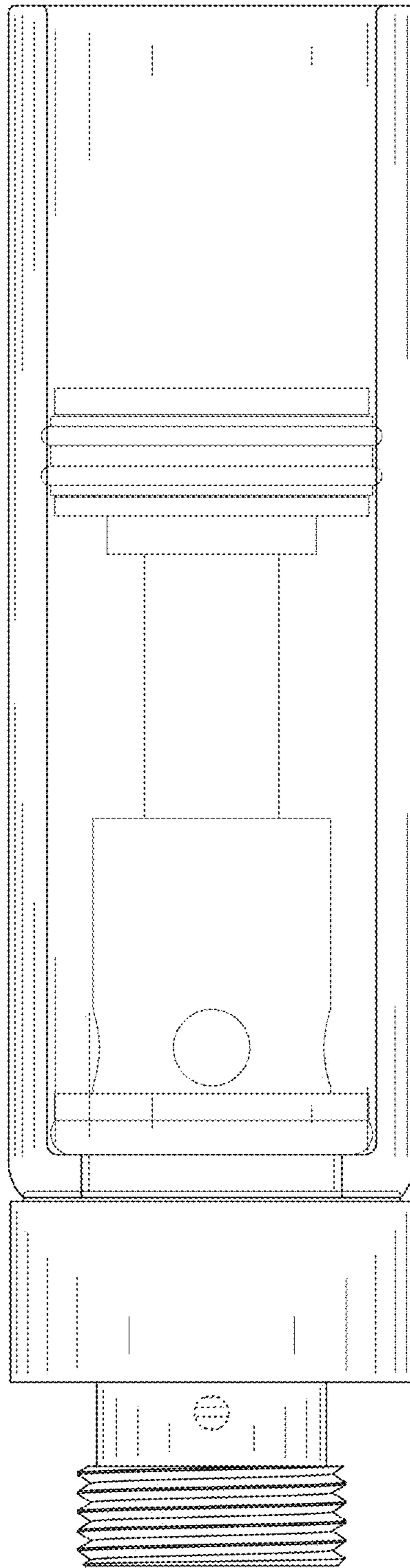


FIG. 5

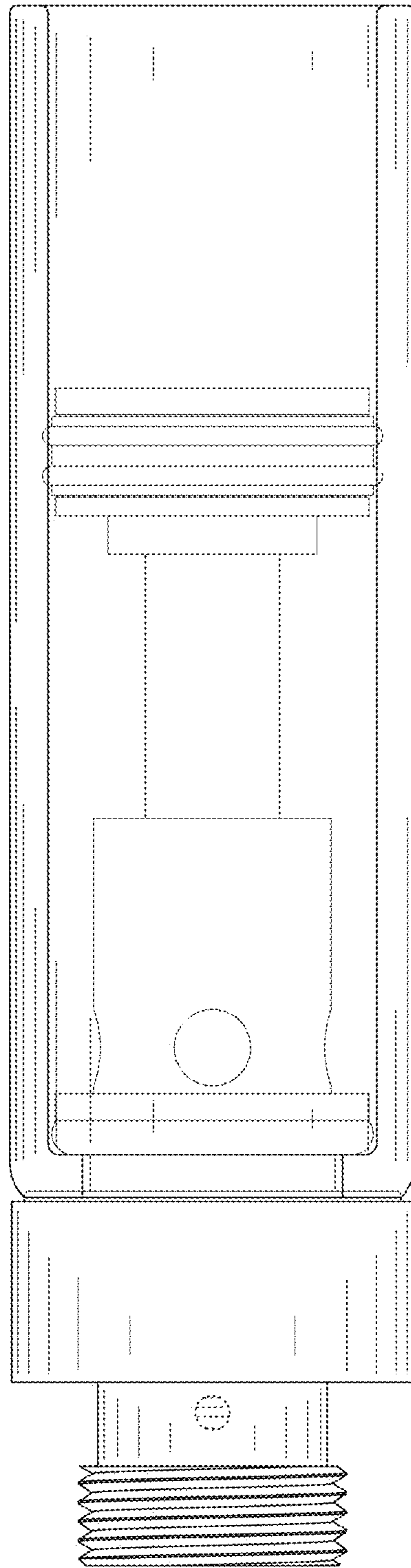


FIG. 6

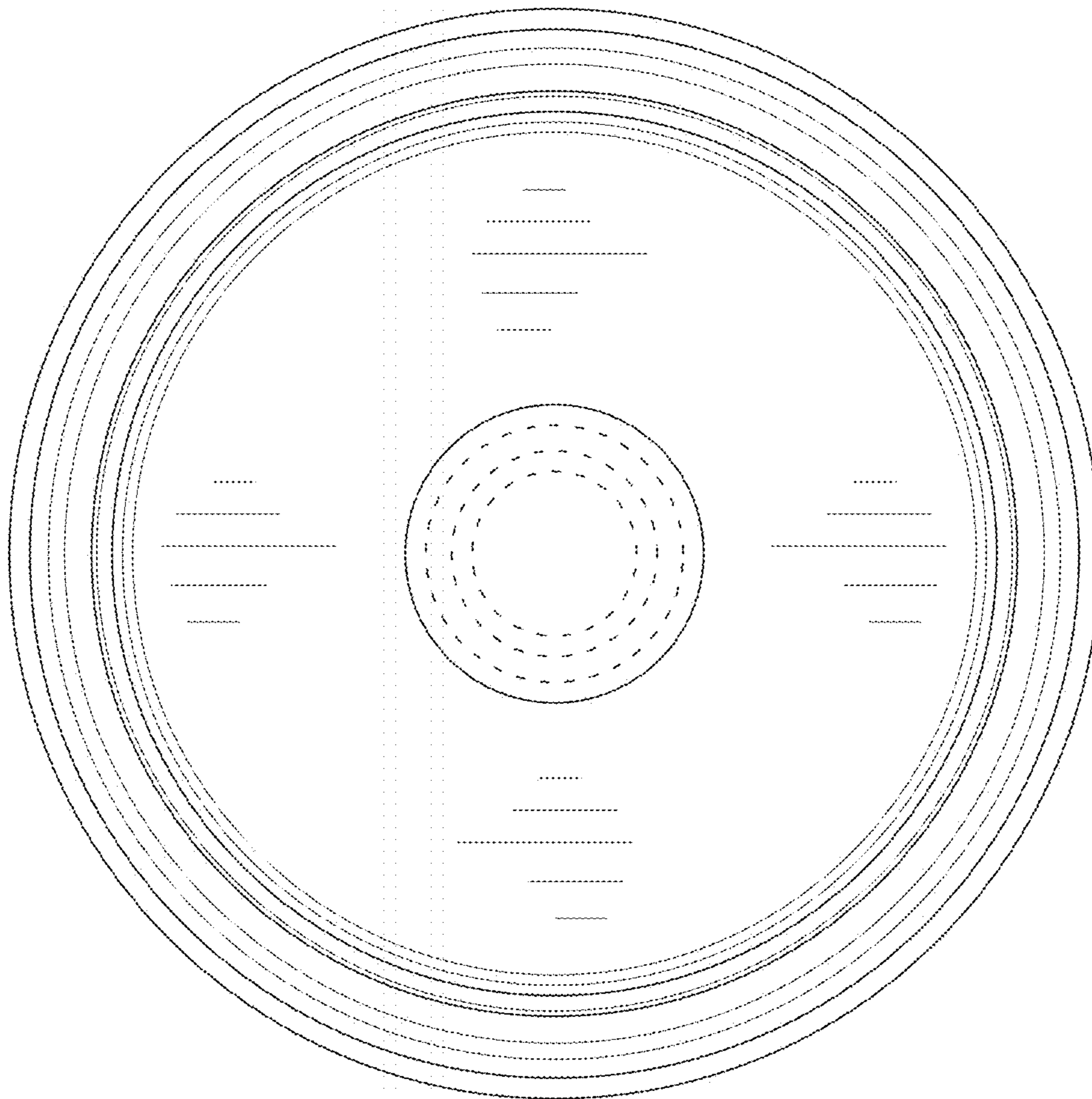


FIG. 7

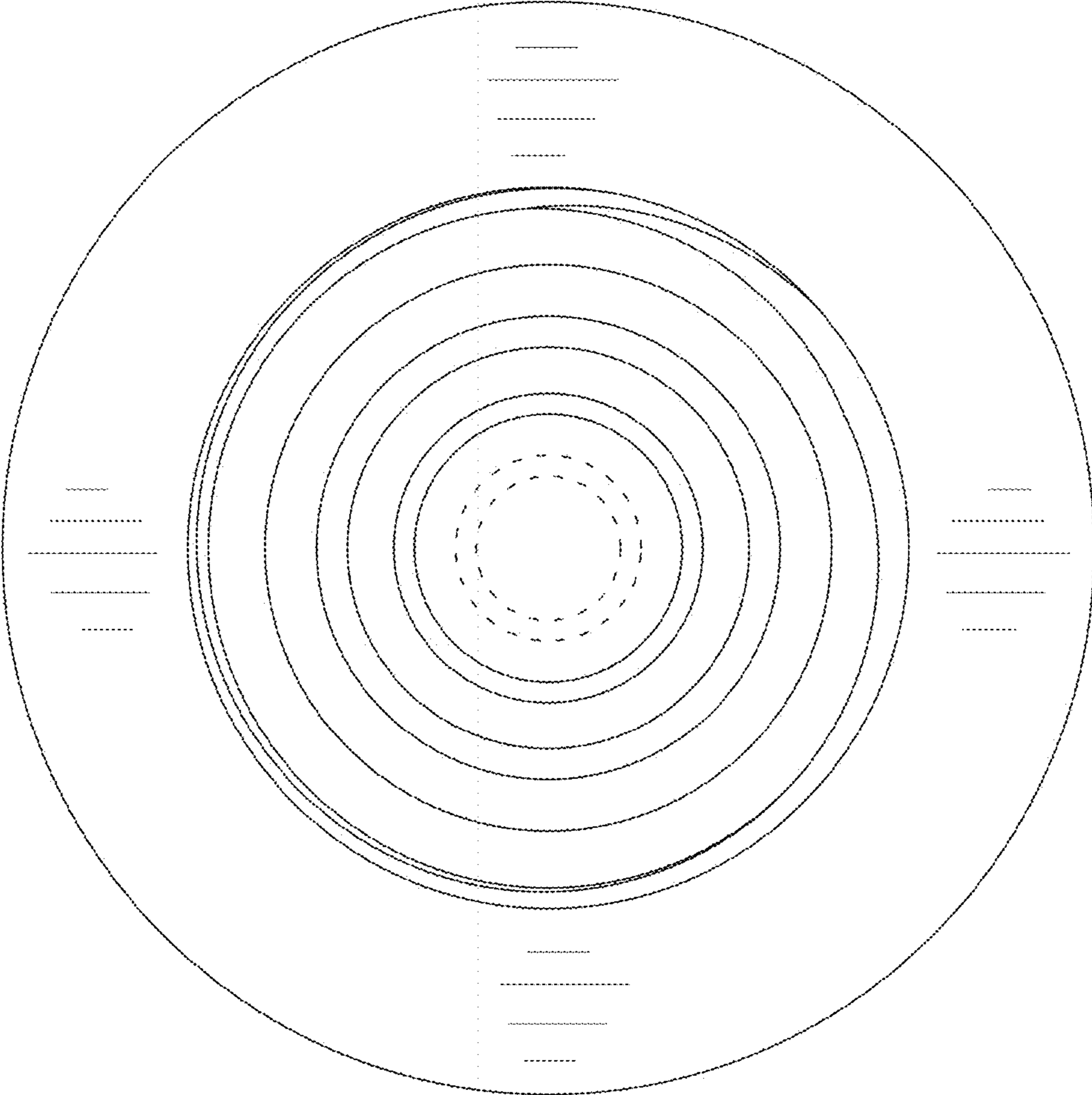


FIG. 8