



US00D898990S

(12) **United States Design Patent** (10) **Patent No.:** **US D898,990 S**
Liu et al. (45) **Date of Patent:** **** Oct. 13, 2020**

(54) **COMBINED ELECTRICAL TOBACCO HEATING DEVICE AND CHARGER**

(71) Applicant: **Hubei China Tobacco Industry Co., Ltd.**, Hubei (CN)

(72) Inventors: **Huachen Liu**, Hubei (CN); **Dan Li**, Hubei (CN); **Yikun Chen**, Hubei (CN)

(**) Term: **15 Years**

(21) Appl. No.: **29/674,183**

(22) Filed: **Dec. 20, 2018**

(30) **Foreign Application Priority Data**

Jun. 20, 2018 (CN) 2018 3 0316580

(51) **LOC (12) Cl.** **27-02**

(52) **U.S. Cl.**
USPC **D27/162**

(58) **Field of Classification Search**
USPC D27/162, 100, 101, 106, 108, 163, D27/165-168, 172, 183, 186-194; D24/110, 110.5; 131/290, 299, 329
CPC A24F 25/00; A24B 9/10; F24F 47/00
See application file for complete search history.

(56) **References Cited**

U.S. PATENT DOCUMENTS

D677,000 S * 2/2013 Liu D27/189
D751,756 S * 3/2016 Hearn D27/189
D773,116 S * 11/2016 Liu D27/167
D807,286 S * 1/2018 Qiu D13/103
D812,289 S * 3/2018 Ward D27/172
D828,953 S * 9/2018 Chen D27/167

D829,982 S * 10/2018 Wang D27/167
D829,983 S * 10/2018 Wang D27/167
D834,248 S * 11/2018 Cordani D27/172
D849,994 S * 5/2019 Yan D27/163
D851,328 S * 6/2019 Smith D27/162
D853,022 S * 7/2019 Srour D27/183
D853,023 S * 7/2019 Bailey D27/189
D861,594 S * 10/2019 Lai D13/103
D862,230 S * 10/2019 Hatcher D9/456
D862,231 S * 10/2019 Hatcher D9/456
2018/0013175 A1 * 1/2018 Liu H01M 2/1055

* cited by examiner

Primary Examiner — Marissa J Cash

Assistant Examiner — Rebecca Tsehaye

(74) *Attorney, Agent, or Firm* — Prakash Nama; Global IP Services, PLLC

(57) **CLAIM**

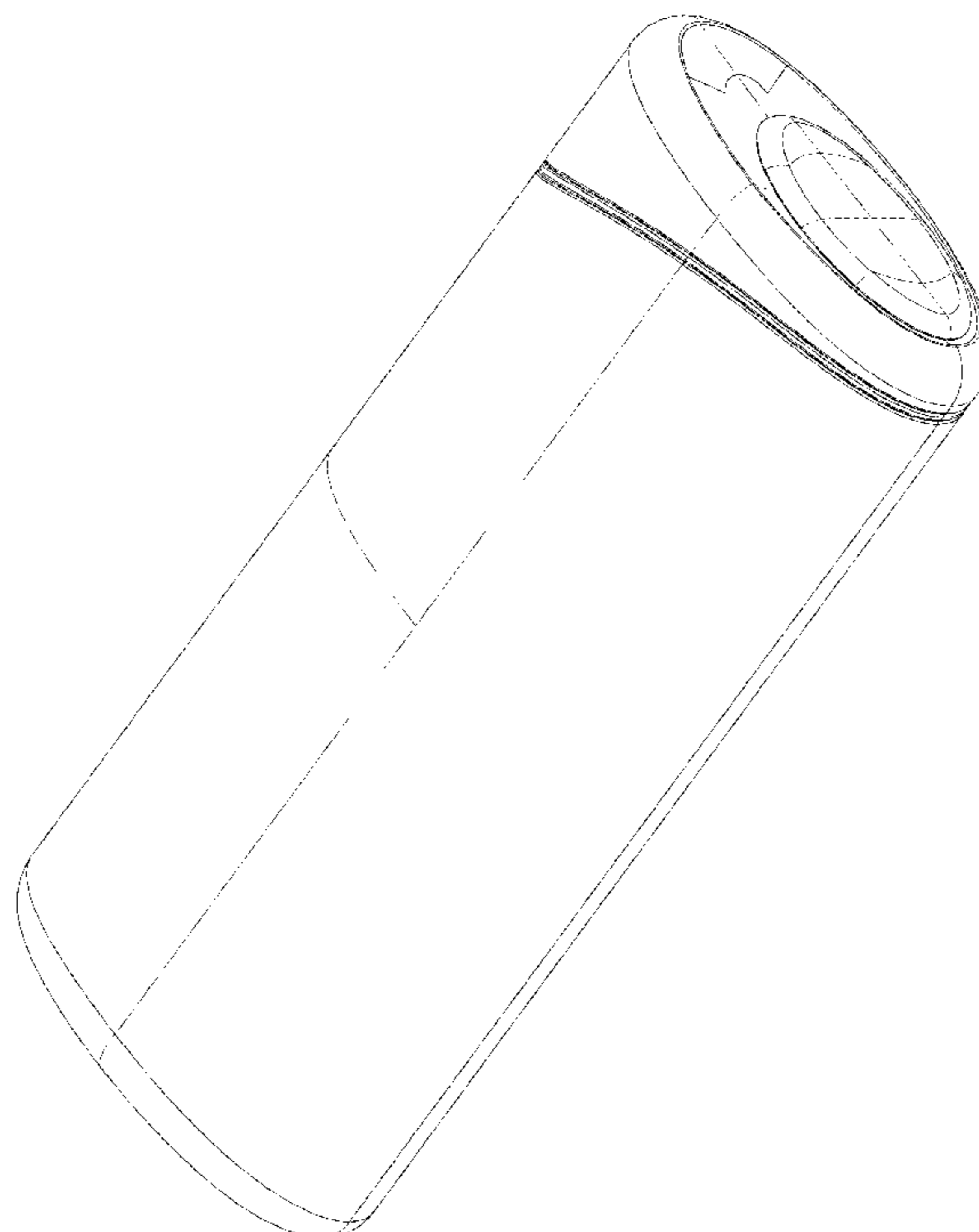
The ornamental design for a combined electrical tobacco heating device and charger, as shown and described.

DESCRIPTION

FIG. 1 is a front elevational view of a combined electrical tobacco heating device and charger showing our new design; FIG. 2 is a rear elevational view thereof; FIG. 3 is a left side view thereof; FIG. 4 is a right side view thereof; FIG. 5 is a top plan view thereof; FIG. 6 is a bottom plan view thereof; and, FIG. 7 is a perspective view thereof.

The broken lines in the drawings depict portions of the combined electrical tobacco heating device and charger that form no part of the claimed design.

1 Claim, 7 Drawing Sheets



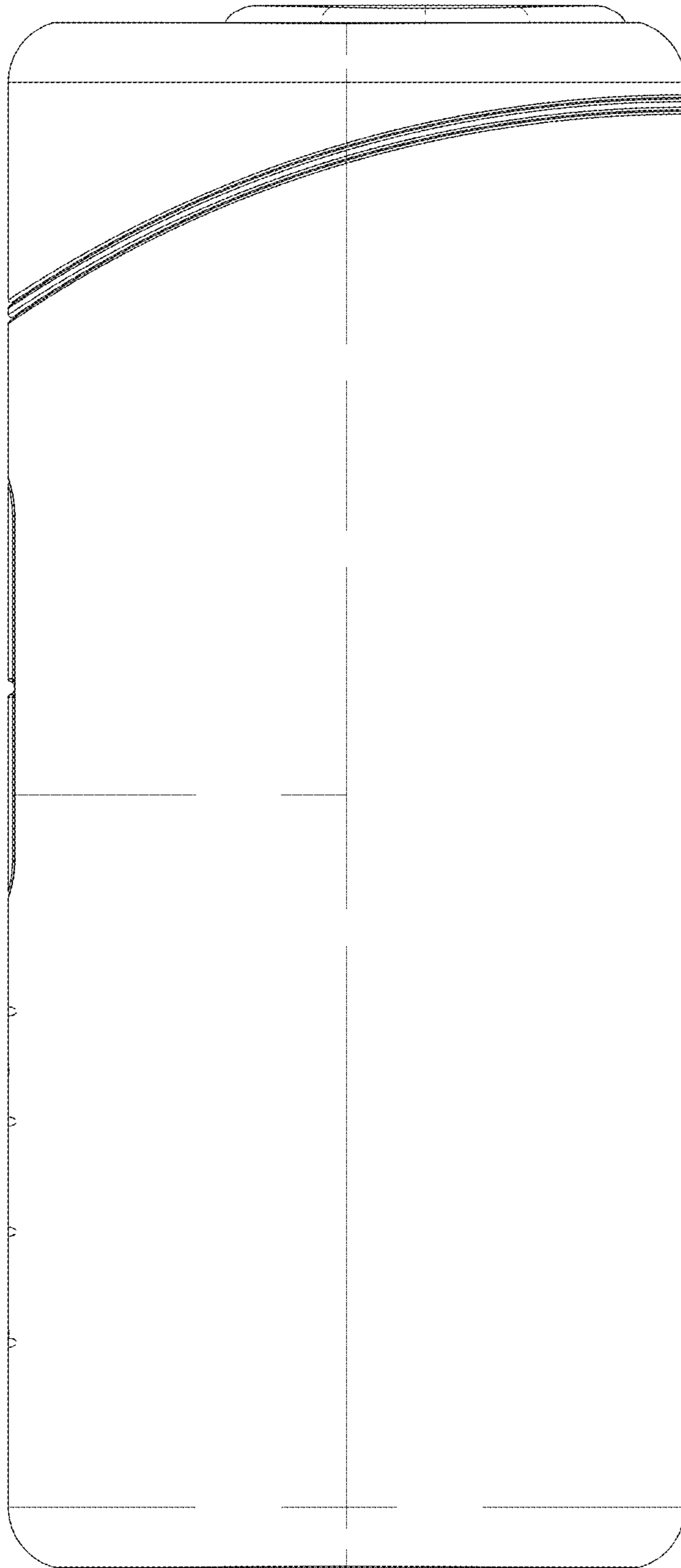


FIG. 1

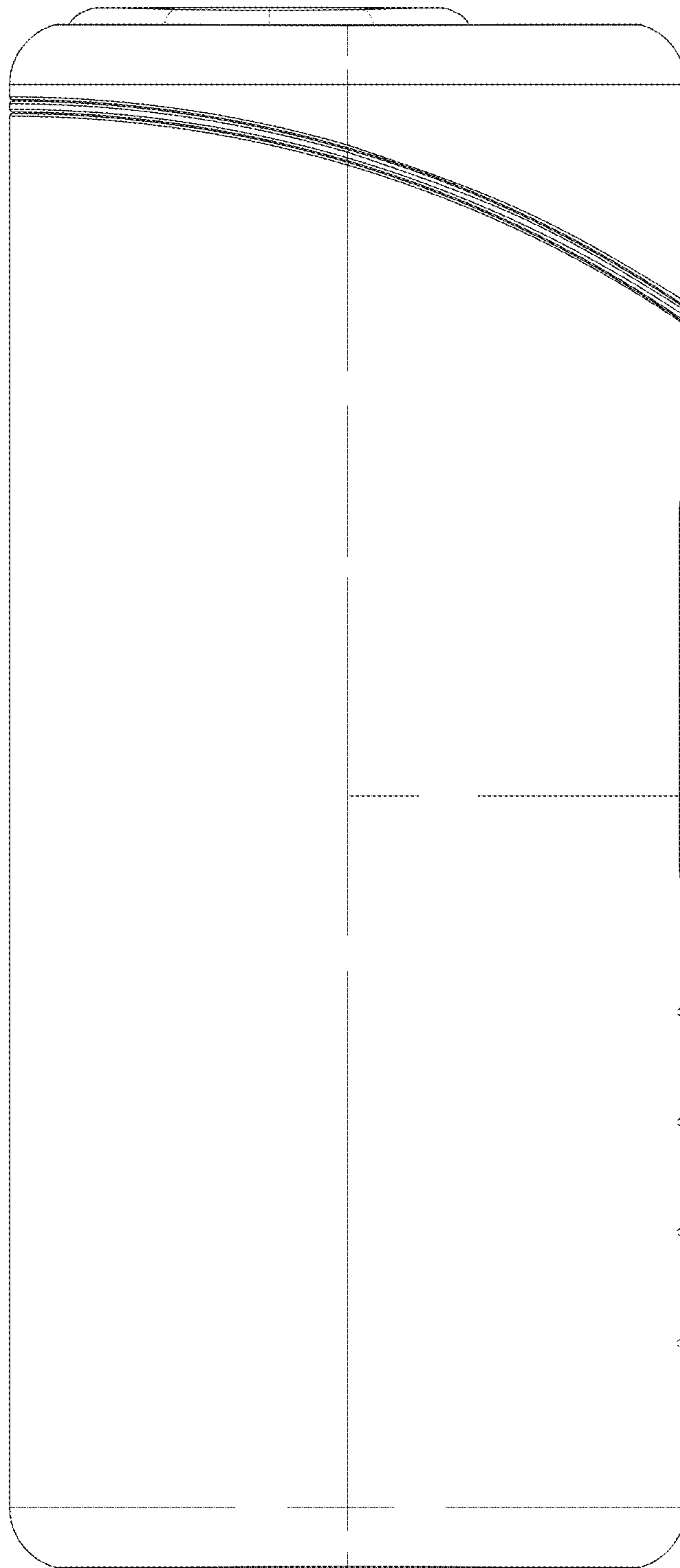


FIG. 2

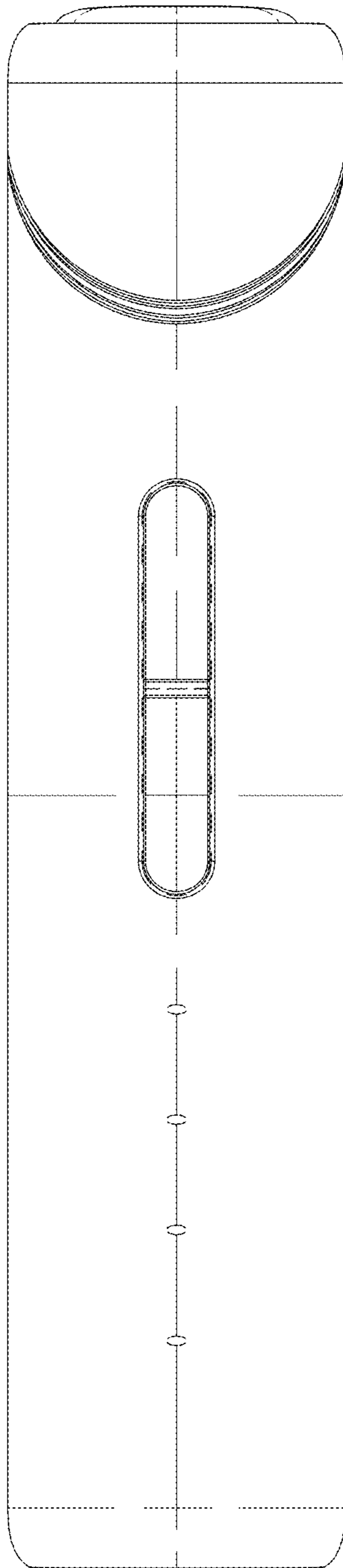


FIG. 3

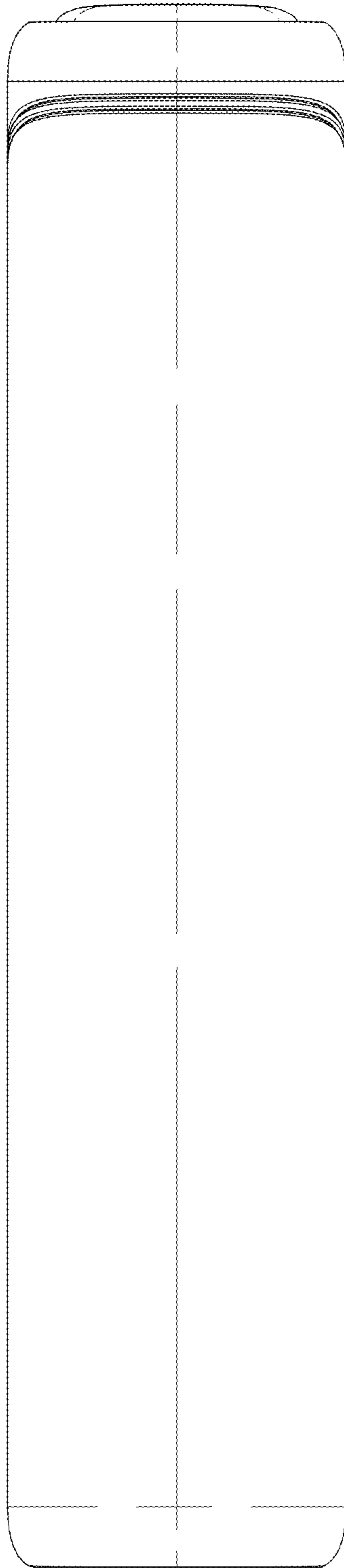


FIG. 4

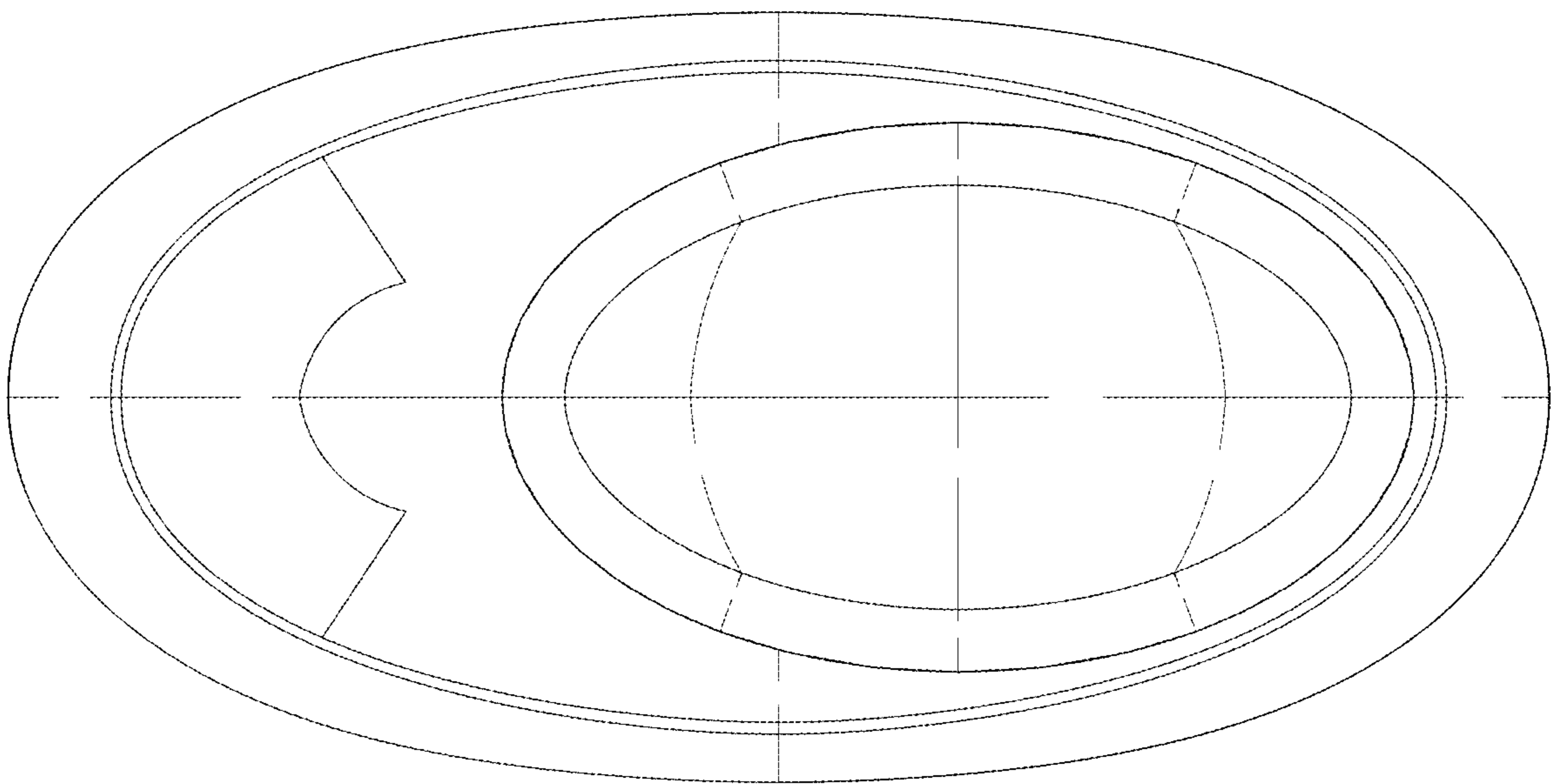


FIG. 5

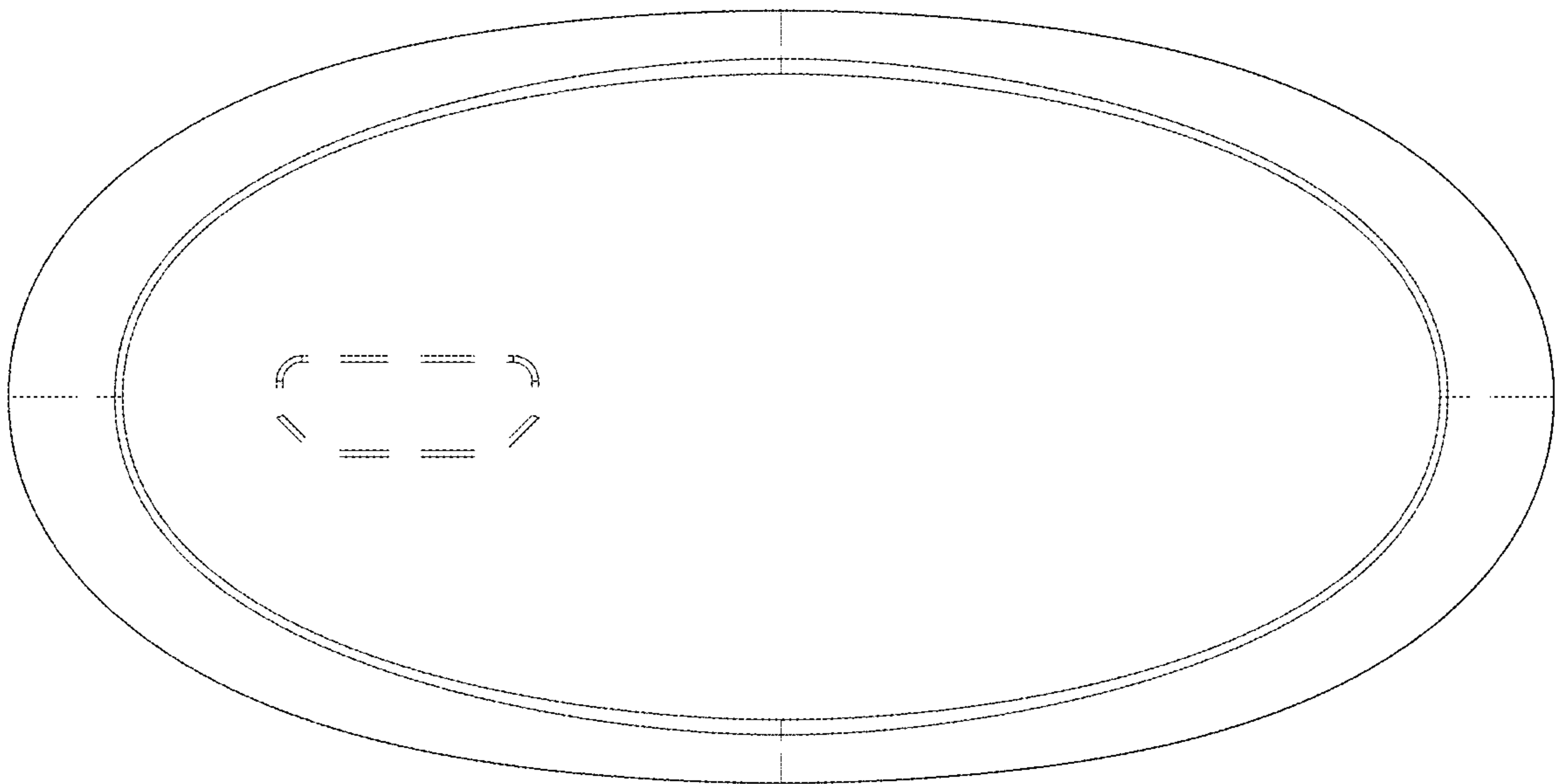


FIG. 6

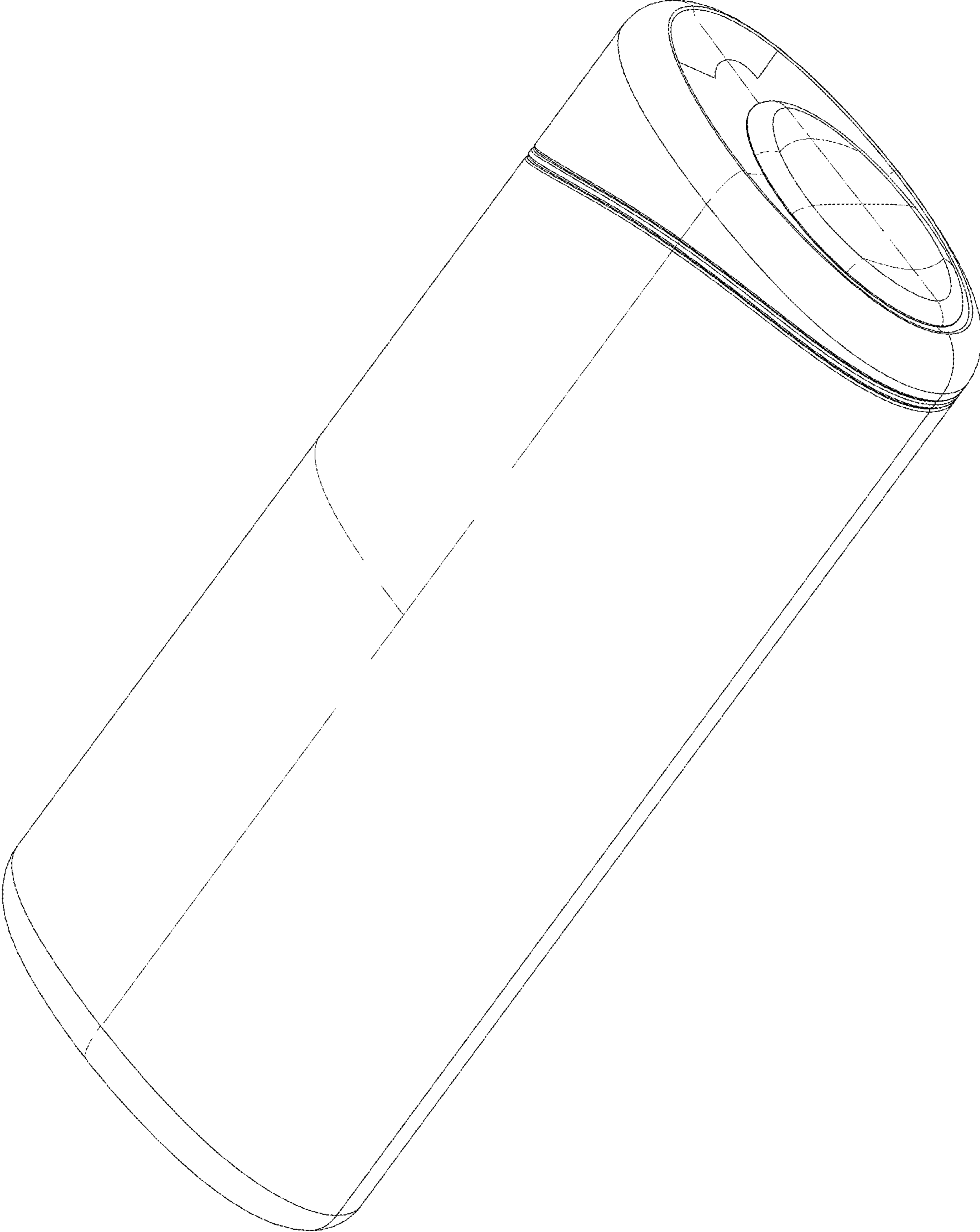


FIG. 7