

US00D898989S

(12) **United States Design Patent** (10) **Patent No.:** **US D898,989 S**
Kesselman et al. (45) **Date of Patent:** **** Oct. 13, 2020**

(54) **COMBINED SMOKING ARTICLE HOLDING AND ASH CATCHING DEVICE**

2,911,982 A 11/1959 Guden
2,921,588 A 1/1960 Dahly
3,528,436 A 9/1970 Stephens
3,760,817 A * 9/1973 Eilertson A24F 19/14
131/235.1
3,796,224 A * 3/1974 Feinstat A24F 19/09
131/242.5

(71) Applicant: **BBK TOBACCO & FOODS, LLP,**
Phoenix, AZ (US)

(72) Inventors: **Joshua D. Kesselman,** Vancouver
(CA); **Ian Kobe,** Tempe, AZ (US)

(Continued)

(73) Assignee: **BBK TOBACCO & FOODS, LLP,**
Phoenix, AZ (US)

FOREIGN PATENT DOCUMENTS

(**) Term: **15 Years**

CN 561028 4/1975
GB 400550 10/1933
GB 460873 A 2/1937

(21) Appl. No.: **29/687,119**

OTHER PUBLICATIONS

(22) Filed: **Apr. 10, 2019**

Smoking Article Holding and Ash Catching DeviceRaw Ash Catcher
by Kesselman, Joshua D. dated Apr. 10, 2019. Found online (May
3, 2019) <https://www.hippiebutler.com/product/raw-ash-catcher/>.*

(51) **LOC (12) Cl.** **27-03**

(52) **U.S. Cl.**
USPC **D27/138**

(58) **Field of Classification Search**
USPC D27/138, 102, 103, 125, 128, 135;
131/174, 175, 178, 329, 330; 206/246,
206/242
CPC A24F 15/00; A24F 15/02; A24F 15/12;
A24F 47/00; A24F 19/0035; A24F 19/00;
A24F 19/0014

See application file for complete search history.

Primary Examiner — Marissa J Cash
Assistant Examiner — Rebecca Tsehaye
(74) *Attorney, Agent, or Firm* — Weiss & Moy, P.C.;
Jeffrey D. Moy

(57) **CLAIM**

The ornamental design for a combined smoking article holding and ash catching device, as shown and described.

(56) **References Cited**

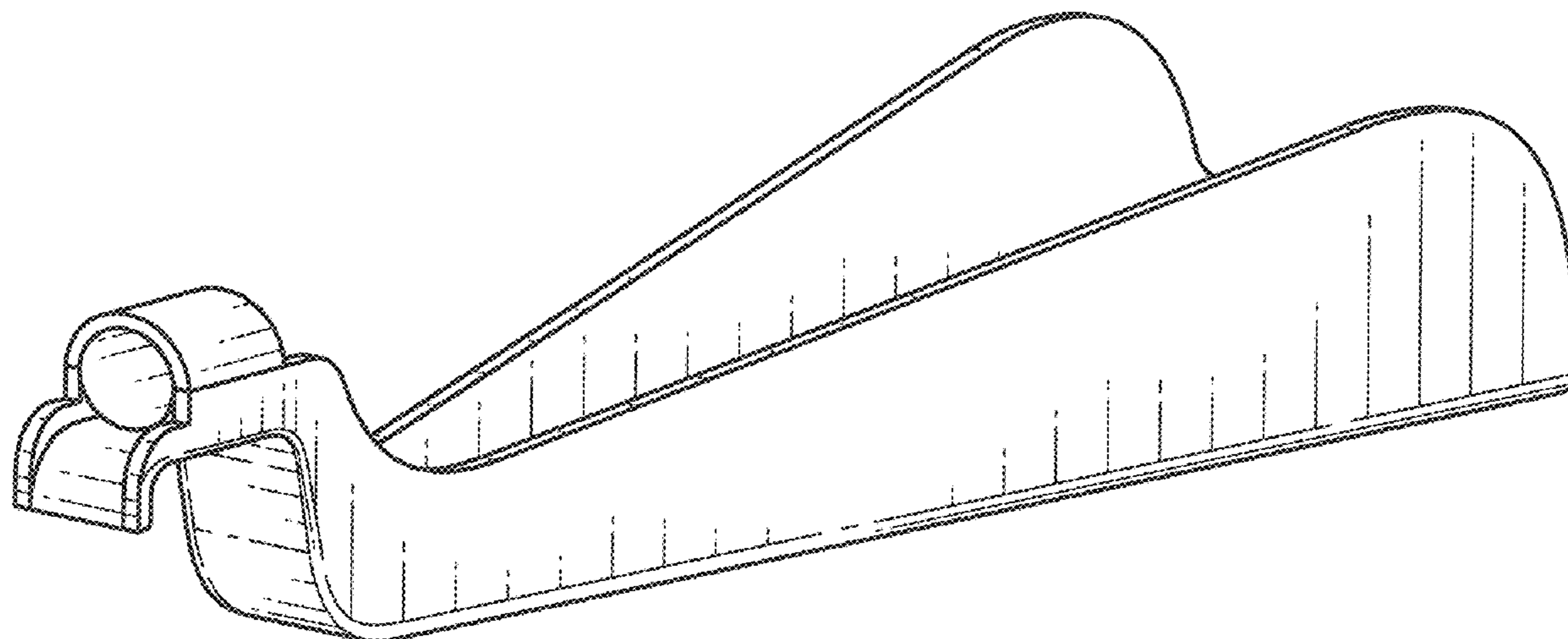
DESCRIPTION

U.S. PATENT DOCUMENTS

1,419,141 A 6/1922 Ingalls
D72,062 S * 2/1927 Forbes D27/128
1,872,867 A 8/1932 Ziegler
1,395,320 A 10/1933 Williams
D123,755 S 12/1940 Lichtenauer
D127,710 S 6/1941 Deitch
2,370,016 A 2/1945 Parrish
2,422,868 A 6/1947 Walters
2,588,208 A 3/1953 Connellan
2,646,050 A 7/1953 Webster
2,729,215 A 1/1956 Dahly

FIG. 1 is a side perspective view of a combined smoking article holding and ash catching device, showing our new design;
FIG. 2 is a front perspective view thereof;
FIG. 3 is a rear perspective view thereof;
FIG. 4 is a left side view thereof;
FIG. 5 is a right side view thereof;
FIG. 6 is a top view thereof; and,
FIG. 7 is a bottom view thereof.

1 Claim, 4 Drawing Sheets



(56)

References Cited

U.S. PATENT DOCUMENTS

7,661,431 B1 *	2/2010	Barrios	A24F 19/0035
				131/241
D634,891 S *	3/2011	Han	D27/163
D658,329 S *	4/2012	Katz	D27/125
D673,729 S *	1/2013	Howell	D27/138
D751,754 S *	3/2016	Anthony	A24F 19/0035
				D27/105
D762,004 S *	7/2016	Kesselman	D27/170
D802,036 S *	11/2017	Kesselman	D15/145

* cited by examiner

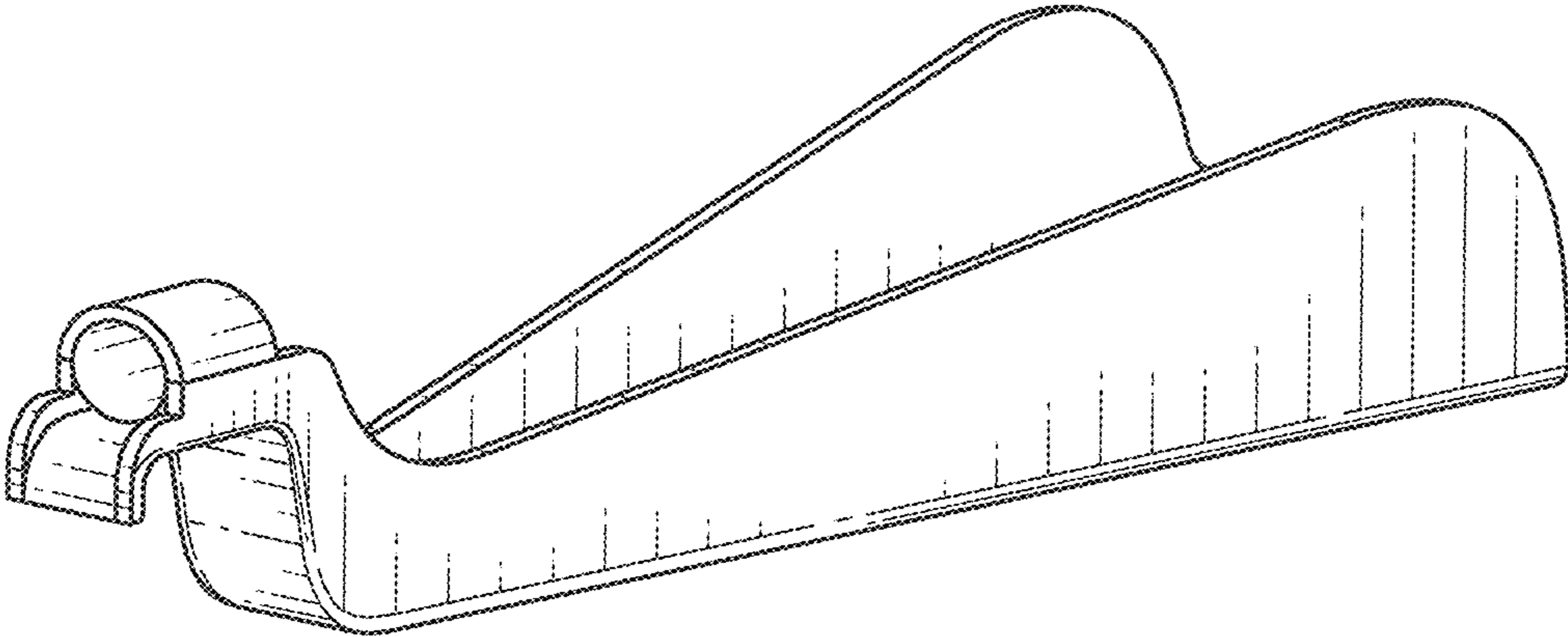


FIG. 1

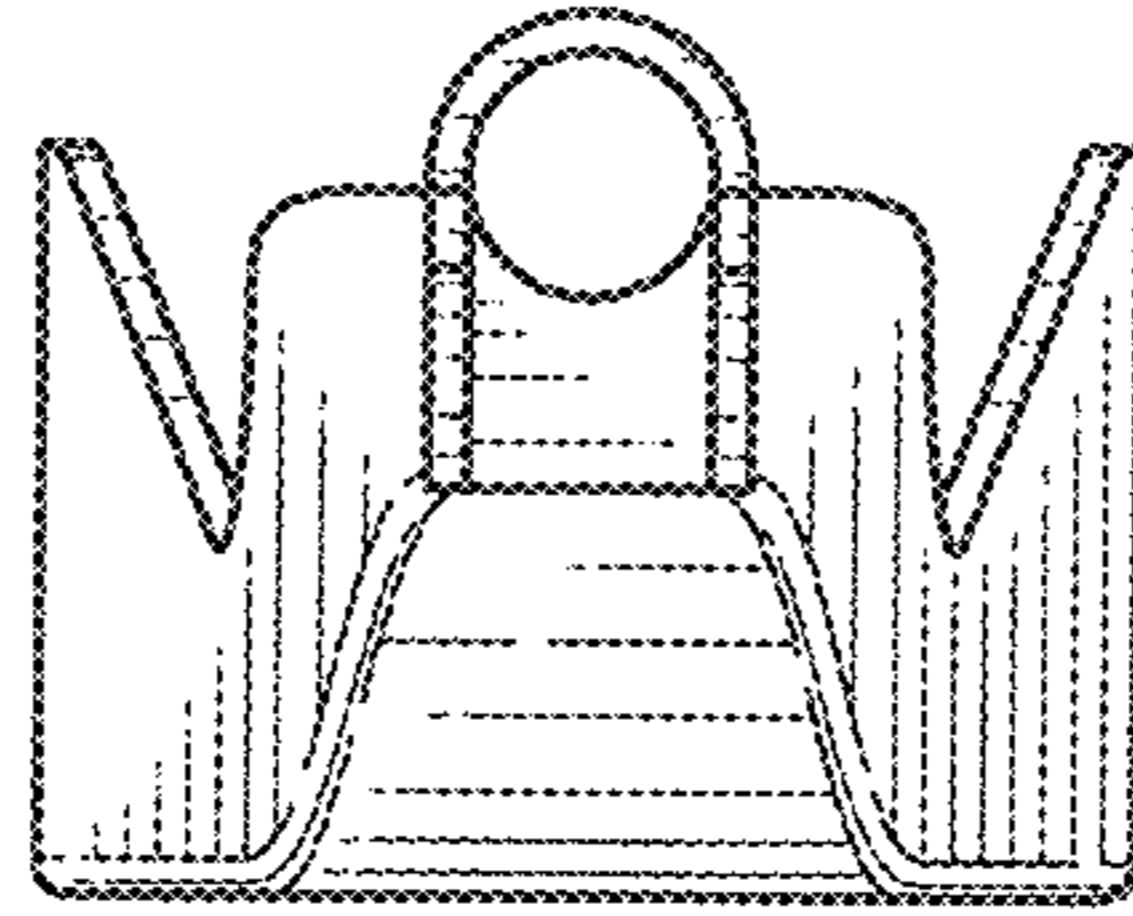


FIG. 2

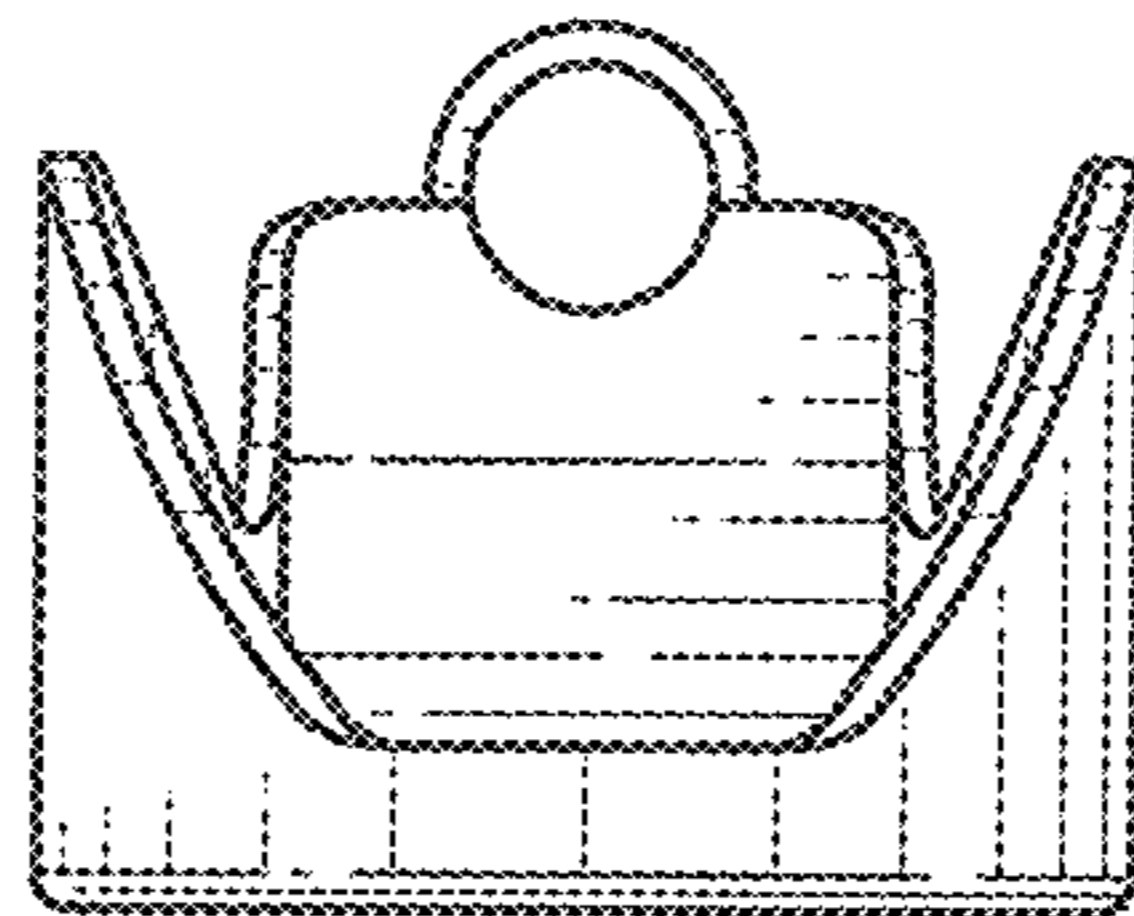


FIG. 3

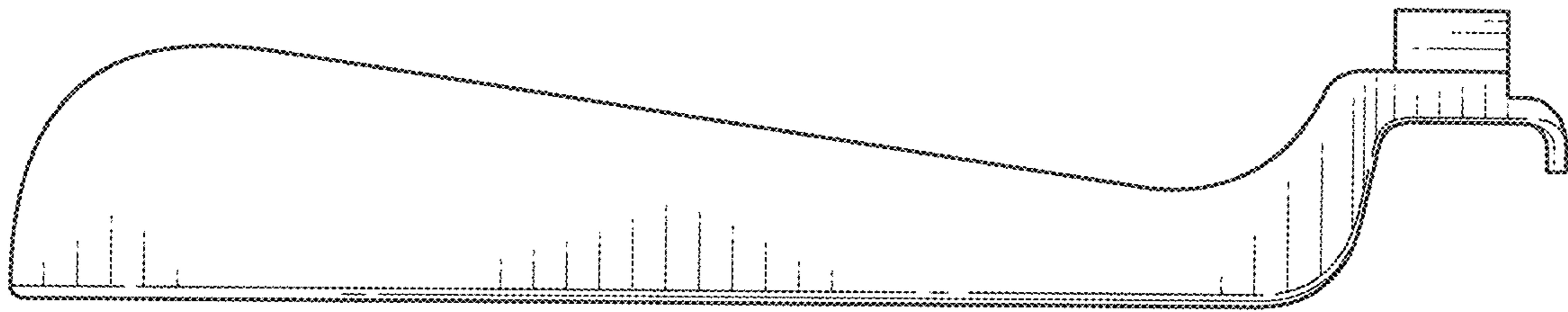


FIG. 4

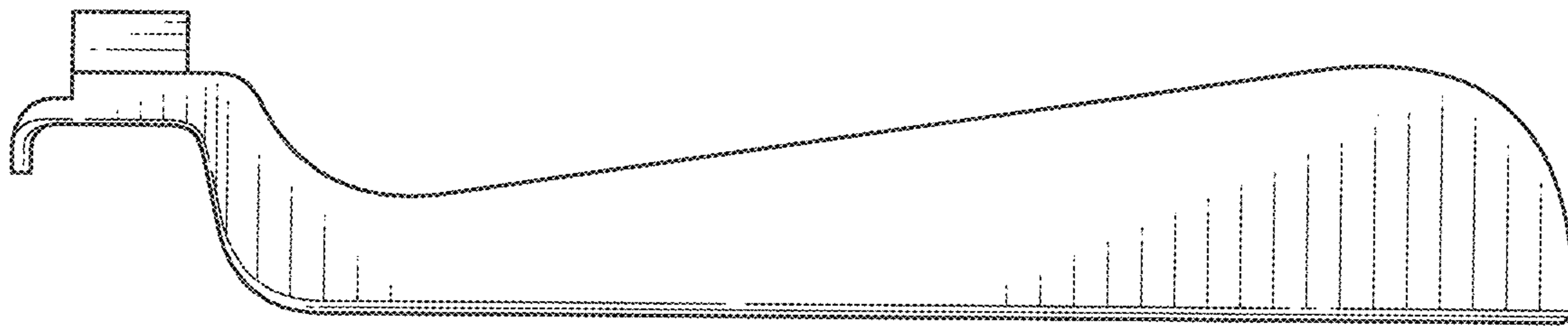


FIG. 5

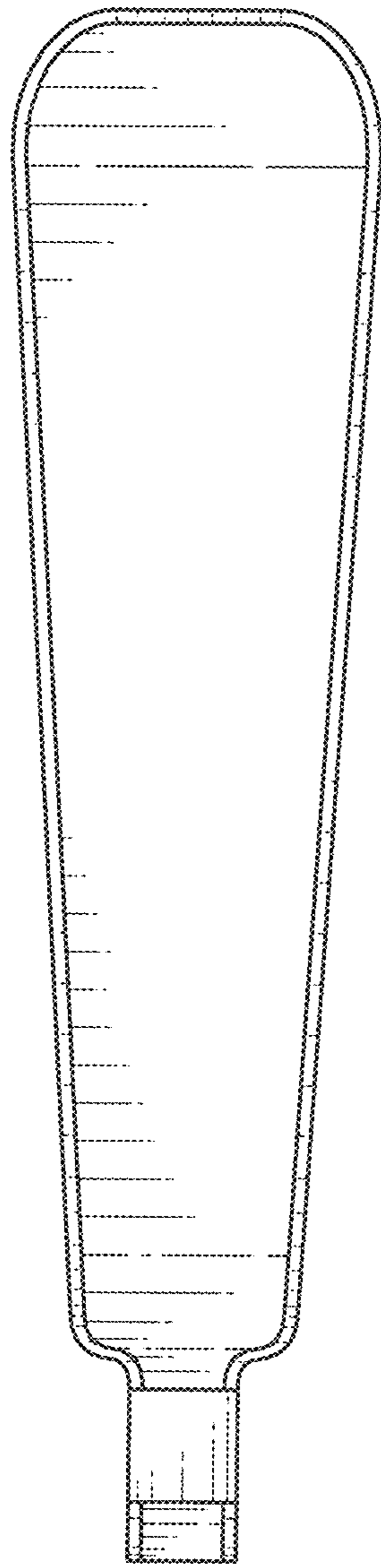


FIG. 6

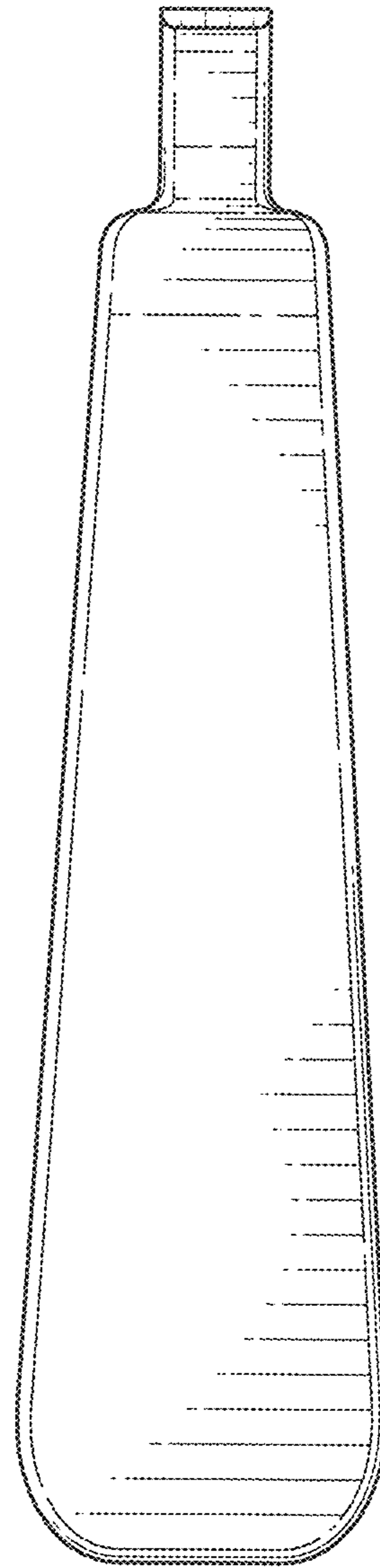


FIG. 7